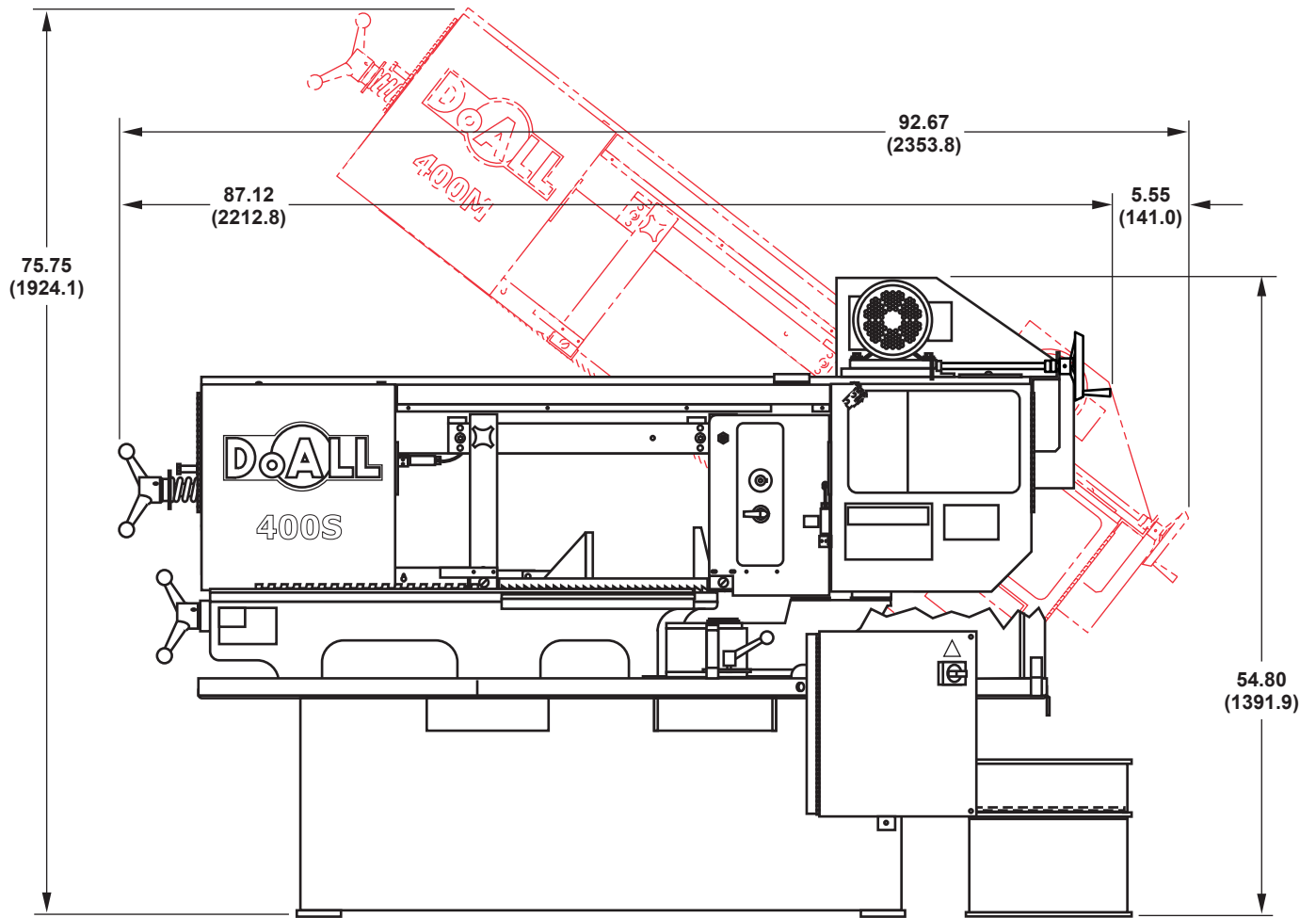
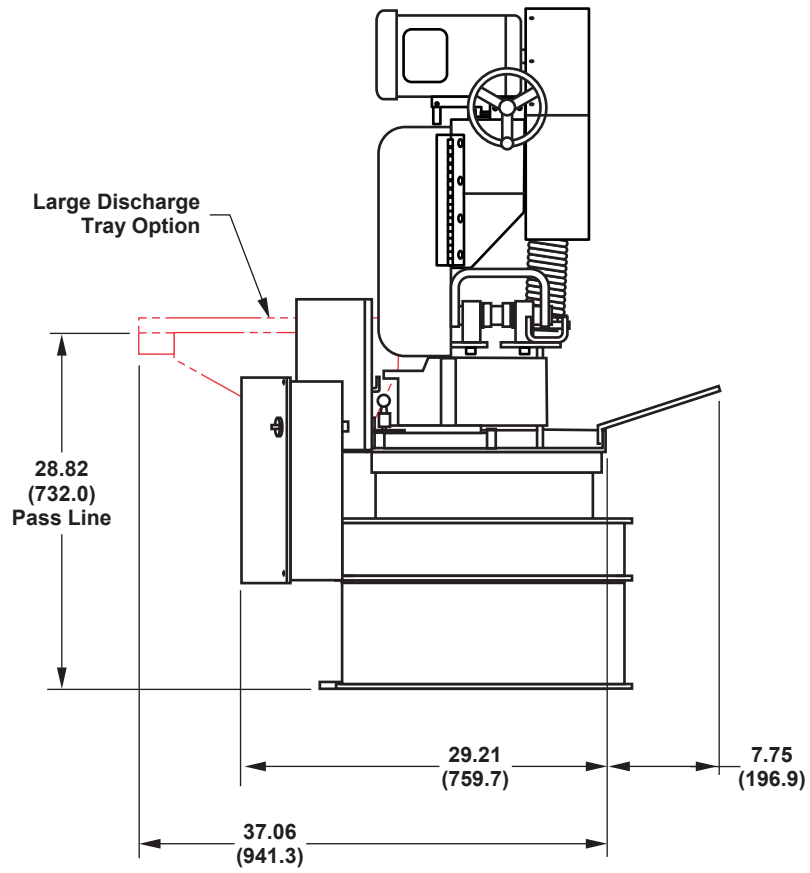


Front Dimensions



Side Dimensions



Top Dimensions

