



Brochure panorama

Switches for photovoltaic applications

Disconnect switches

OTDC, UL

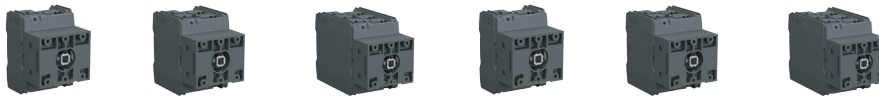
DC disconnect switches, front operated 16...600 A, UL^{*})



UL508i
File E4466875

Base or DIN-rail mounting

Coming	OTDC16U2	OTDC16U4	OTDC16U6	OTDC16US2	OTDC16US4	OTDC16US6
January 2015	OTDC25U2	OTDC25U4		OTDC25US2	OTDC25US4	
		OTDC32U4			OTDC32US4	
Rated Voltage [V DC]	600	600	600	600	600	600
Rated current [A]	16 25	16 25 32	16	16 25	16 25 32	16



UL508i
File E4466875

Door mounting

Coming	OTDC16UT2	OTDC16UT4	OTDC16UT6	OTDC16UST2	OTDC16UST4	OTDC16UST6
January 2015	OTDC25UT2	OTDC25UT4		OTDC25UST2	OTDC25UST4	
		OTDC32UT4			OTDC32UST4	
Rated Voltage [V DC]	600	600	600	600	600	600
Rated current [A]	16 25	16 25 32	16	16 25	16 25 32	16



UL98B
File #E354681

	OTDC100U02	OTDC100U11	OTDC100U22	OTDC100US02	OTDC100US11	OTDC100US22
	OTDC200U02	OTDC200U11	OTDC180U22	OTDC200US02	OTDC200US11	OTDC180US22
Rated Voltage [V DC]	1000	1000	1000	1000	1000	1000
Rated current [A]	100 200	100 200	100 180	100 200	100 200	100 180



UL98B
File #E354681

	OTDC250U02	OTDC250U11	OTDC250U12	OTDC250U22	OTDC600UPP22
	OTDC320U02	OTDC320U11	OTDC320U12	OTDC320U22	
	OTDC400U02	OTDC400U11	OTDC400U12	OTDC400U22	
Rated Voltage [V DC]	1000	1000	1500 ^{*)}	1000	1000
Rated current [A]	250 320 400	250 320 400	250 320 400	250 320 400	600

^{*)} All UL listed products (except side operated) are also IEC rated up to 800 A

^{**)} UL98B self-certified at 1500 VDC while standard only goes up to 1000 VDC



UL98B
File #E354681

	OTDC250US02	OTDC250US11	OTDC250US22	OTDC600USPP22
	OTDC320US02	OTDC320US11	OTDC320US22	
	OTDC400US02	OTDC400US11	OTDC400US22	
Rated Voltage [V DC]	1000	1000	1000	1000
Rated current [A]	250 320 400	250 320 400	250 320 400	600

DC disconnect switches, side operated 100...400 A, UL



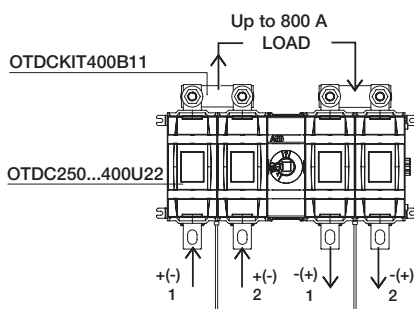
UL98B
File #E354681

	OTDC100U20S	OTDC250U20S	OTDC100US20S	OTDC250US20S
	OTDC200U20S	OTDC320U20S	OTDC200US20S	OTDC320US20S
		OTDC400U20S		OTDC400US20S
Rated Voltage [V DC]	1000	1000	1000	1000
Rated current [A]	100 200	250 320 400	100 200	250 320 400

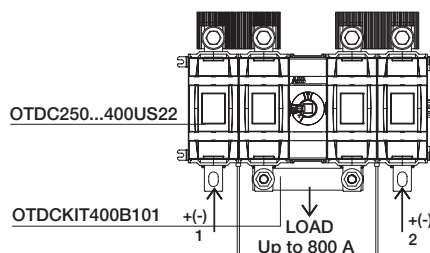
Connection bars, UL

Sold as accessories for the below OTDC disconnect switches to combine outputs to the load.

2 x 250/320/400 A



2 x 250/320/400 A, grounded



Type designation key

OTDC16...600, UL and IEC

OTDC	200	U	S	11	S	K
1	2	3	4	5	6	7

1	Brand
OTDC	ABB DC switch-disconnector brand
2	Switch size
16...600	16...600 Amperes
3	Voltage and standard
E	1000 VDC, IEC
U	1000 VDC, UL508i/UL98B
4	Short circuit links/mounting
blank	Short circuit links not included
V	Factory mounted jumpers, 1500 VDC, IEC
S	Factory mounted jumpers, 16 to 600 A switches
PP	Factory mounted connection bars, 600 to 800 A switches
T	Door mounted, 16...32 A switches
ST	Factory mounted jumpers, door mounting, 16...32 A switches

5	Number of poles
2	Two poles, mechanism on the top, 16...32 A
4	Four poles, mechanism on the top, 16...32 A
6	Six poles, mechanism on the top, 16...32 A
11	Two poles, mechanism between the poles
02, 20	Two poles, mechanism at the end of the switch
12	Three poles, mechanism between the poles
22	Four poles, mechanism between the poles
04, 40	Four poles, mechanism at the end of the switch
33	Six poles, mechanism between the poles
6	Operation
–	Front operation
S	Side operation
7	Included handle
–	None
P	External handle and shaft
K	Direct mount

OTDC41US 14-10 1SCC301014B0201

For more information please contact:

ABB Inc.
Low Voltage Products, North America
 16250 W. Glendale Drive
 New Berlin, WI 53151
 Phone: 888-385-1221
www.abb.us/lowvoltage

Power and productivity
 for a better world™ 