



ALLIED MACHINE & ENGINEERING

Holemaking Solutions for Today's Manufacturing



Drilling



Reaming



Burnishing



Threading



Specials



Criterion®

► *BORING*

Modular Boring Systems

CRITERION®

North America

Allied Machine
120 Deeds Drive
Dover, OH 44622
United States

Allied Machine
485 West 3rd Street
Dover, OH 44622
United States

ThreadMills USA™

4185 Crosstowne Ct #B
Evans, GA 30809
United States

Superior®

1285 S Patton St.
Xenia, OH 45385
United States

Europe

Allied Machine Europe
93 Vantage Point
Pensnett Estate
Kingswinford
West Midlands
DY6 7FR, United Kingdom

Wohlhaupter™ GmbH

Maybachstrasse 4
Postfach 1264
72636 Frickenhausen
Germany

Asia

Wohlhaupter™ India
B-23, 2nd Floor
B Block Community Centre
Janakpuri, New Delhi - 110058
India



Allied Machine & Engineering is a worldwide leader in holemaking and finishing solutions. We are committed to providing practical and dependable solutions to our customers through innovative designs and superior customer and technical support.

We continue to expand our product offering in order to provide new and different solutions. With Field Sales Engineers located around the world, we position ourselves to provide technical support on site, right at your spindle.



www.alliedmachine.com

Criterion® Boring Systems

The Foundation

Since 1941, Allied Machine & Engineering has provided dependable and practical holemaking solutions to the world. What was once a small job shop in Ohio is now a worldwide leader in cutting tool technology. With three manufacturing facilities in Ohio, one in Georgia, another in Germany, and headquarters in both the United States and Europe, Allied Machine is positioned to bring innovative solutions and technical expertise directly to the customers' hands.



The Beginning

Harold E. Stokey founded Allied Machine & Engineering to aid the war effort, manufacturing taper bearing lock nuts for the production of M1 tanks. Years later, after a sales meeting gone wrong, Stokey possessed a warehouse stocked with spade drill inserts. He set forth into the industry that would become Allied Machine's thriving identity: holemaking.



The T-A®

When Harold's son, William H. Stokey, became the president and CEO, he developed the Throw Away, or T-A, spade drill insert system. The T-A revolutionized the holemaking industry, launching Allied Machine ahead of the competition. Since then, numerous innovations and advancements have been created from the T-A's inspiration.



The Innovation

Since the development of the T-A, Allied Machine has expanded its product offering to support a vast range of customer applications, including large diameter and deep hole drilling, boring, reaming, burnishing, porting, and threading.

The People

Allied Machine understands that high quality products are only one facet of success. Our customer support is crucial to what we do, and that's why we make sure the best engineers and customer service associates are in place to assist our customers around the world.

The Future

With over 75 years of experience, Allied Machine has encountered the challenges of growth and success. By investing in cutting edge technology and the brightest and sharpest minds, our knowledge and capabilities continue to expand and grow every day.



Steve Stokey
Executive Vice President

William H. Stokey
President and CEO

Mike Stokey
Executive Vice President



Replaceable Insert Drills

- Reduce costs by decreasing setup time and utilizing a single holder for the lives of multiple inserts
- Provide flexibility to quickly switch between inserts with different geometries
- Products:
 - GEN3SYS® XT | GEN3SYS® XT Pro
 - T-A® | T-A® GEN2
 - High Performance | Universal



Indexable Insert Drills

- Protect your investment and reduce your inventory with replaceable cartridges that allow the same holder to be used repeatedly
- Indexable inserts increase productivity and tool life while reducing costs
- Products:
 - 4TEX® Drill
 - Revolution Drill®
 - Opening Drill®



Replaceable / Indexable Insert Drills

- Drill large diameter holes and maximize penetration rates even on low horsepower machines
- Delivers strength and versatility needed for any deep hole drilling application
- Holders cover a range of sizes with the replaceable heads determining the cutting diameter
- Products:
 - APX™ Drill



Solid Carbide Drills

- Offer greater strength and stability when drilling tougher materials
- Available in diameters from 3mm - 20mm
- Can be made-to-order specifically for your application (Superion® quoted specials)
 - ASC 320®
 - Superion®





Structural Steel Solutions

- Deliver outstanding performance and durability in structural steel applications
- Designed to produce optimal results in difficult-to-machine materials
- Available in multiple lengths and diameters
- T-A® style drills have different insert geometry options to improve performance, depending on material
- Products:
 - T-A® | T-A® GEN2
 - GEN3SYS® XT Pro

BTA (STS) Machining Solutions

- The internal ejection system flushes chips and debris from the hole with no interference to the cutting process
- Utilizes the advantages of the T-A® drill insert
- Designed to significantly increase penetration rates over brazed heads and traditional gun drills
- Products:
 - BT-A Drill



Hydraulic Port Contour Cutters

- Save significant time and money by performing four processes in one step
- Replaceable insert design reduces costs, inventory, and setup times
- Available in four industry specifications:
 - Imperial: SAE J-1926
 - Metric: ISO 6149-1:2006
 - Military: SAE AS5202
 - John Deere: JDS-G173.1
- Products:
 - AccuPort 432®



Enhanced Special Drilling Capabilities

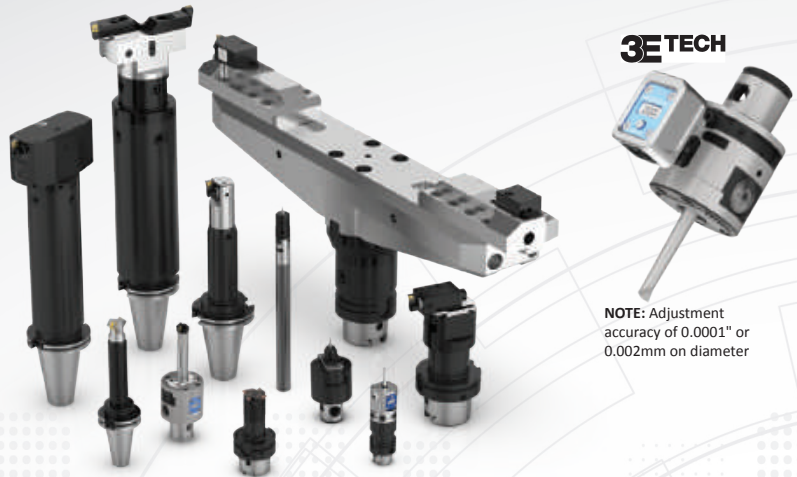
- Allied Machine engineers are available to meet with you to evaluate your application and recommend the best solution for you
- Special drilling solutions can incorporate advanced features such as adjustable diameter locations, multiple steps, additional coolant designs, special lengths and diameters, and more
- Special drills can drastically reduce your cost per hole and increase your overall productivity by eliminating multiple processes and increasing tool life



WOHLHAUPTER®

High Precision Boring Systems

- Designs available for high volume applications that increase rigidity to improve performance
- Versatile boring heads that are flexible with changing applications while maintaining excellent performance
- Provides high precision with absolute repeatability to ensure every part is held to tolerance
- Offers an industry leading modular shank connection that maintains rigidity and reduces inventory on your boring system
- Available with both digital and analog settings
- Products:
 - Wohlhaupter™ Boring Tools



NOTE: Adjustment accuracy of 0.0001" or 0.002mm on diameter



CRITERION®

Modular Boring Systems

- The modular capabilities are ideal for use across multiple different projects
- Offers versatile boring heads suitable for job shops and tooling rooms
- Provides an economical solution for low volume and/or short-term production applications
- Offers finish boring solutions
- Products:
 - Criterion® Boring Tools

S.C.A.M.I.®

Expandable Reaming Solutions

- Expandable cutting diameters accommodate for wear, which extends tool life
- Replaceable cutting heads and rings reduce waste and improve production time versus solid high speed steel and carbide reamers
- Holds tight tolerances to ensure processes are performed to accurate specifications
- Reduces tooling costs because many items are available for reconditioning
- Products:
 - ALVAN® Reamers



S.C.A.M.I.®

Roller Burnishing Solutions

- Produce excellent surface finishes
- Provide accurate size control
- Increase surface hardness
- Solutions for both through hole and blind hole applications
- Products:
 - S.C.A.M.I.® Roller Burnishing Tools





Solid Carbide Thread Mills

- Available with coolant through options
- Covers a wide range of thread forms
- Provides optimal solutions for both high production projects and short-run applications
- Products
 - AccuThread™ 856
 - AccuThread™ T3
 - ThreadMills USA™



Replaceable Insert Thread Mills

- Three insert lengths are available that cover a wide range of thread forms
- Holders can utilize inserts with different pitches and thread forms
- Repeatability is achieved by both the bolt-in style and the pin style locking systems
- Increases tool life by 25 - 50% with Allied Machine's AM210® coating
- Products
 - AccuThread™ 856: Bolt-in Style
 - AccuThread™ 856: Pin Style



SPECIAL CAPABILITIES


When it comes to designing and developing special solutions for customers, Allied Machine is the top choice. If your application requires special tooling, give us a call. Our engineered specials are developed by the brightest engineers in the industry. Most of our standard tooling can be altered as specials, or we can create entirely new concepts for particularly unique applications.

One special tooling solution is Insta-Quote®, the online system that allows you to design your own special tooling 24/7. Receive a quote and drawings within minutes just by following the steps.

And with the addition of Superior® technology and capabilities, we can customize made-to-order solid carbide tools to achieve optimal results for your applications.

Whatever your application, Allied Machine has the answer.



Insta-Quote® 



 SUPERION®





Increase the production and success of your applications today.

- Direct access to 2D drawings and 3D models
- Assemble and view tool images in your browser
- Download drawings for use in most machining software programs
- Browse products, search item numbers, and save assemblies for future use

toolmd.com

WOHLHAUPTER® Tool-Architect

Find the right Wohlhaupter™ solution for your application.

- Configure your complete tool assembly
- Compile an order list to be quoted
- Search and quickly find components using various criteria
- Adjust your language and measurement preferences



tool-architect.com

WOHLHAUPTER® Boring Insert Selector

Find the best insert for your application.

- Generate the correct boring insert for your job in just six easy steps
- Choose type, shape, substrate, insert form, nose radius, and material
- Order easily by adding the item to your cart



www.alliedmachine.com/bis

Product Selector

Use the product selector to find the right tool for your application.

- Follow guided steps to generate the right tool for your application
- Learn about your recommended tool and how to maximize its performance



www.alliedmachine.com/productselector

Insta-Code®

Eliminate the wait. Get your program now.

- Choose the best thread mill for your application
- Create program code for your machine
- Available as a PC download app (that can be used offline)
- Website app available 24/7



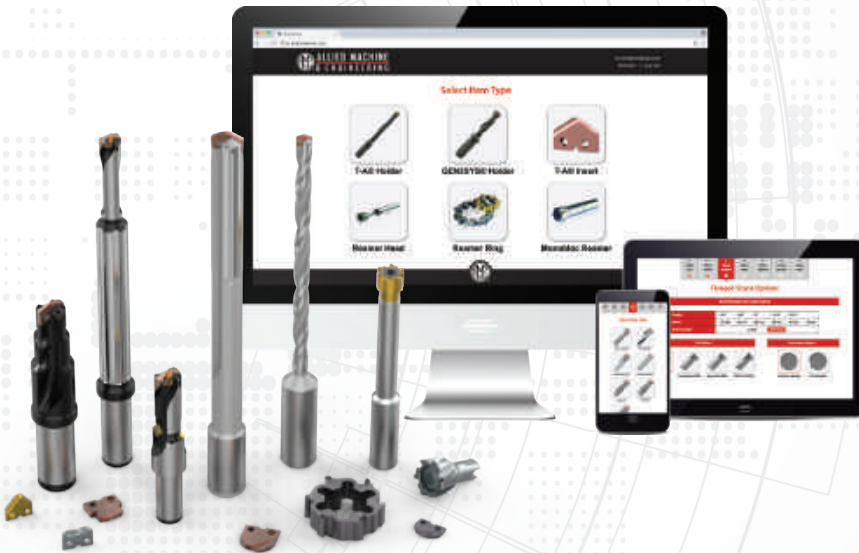
Insta-Code also has a
Cycle Time Calculator

alliedmachine.com/InstaCode

Insta-Quote®

Design your custom tooling and receive a drawing and quote...all within minutes.

- Design and quote your own tooling
- Generate the solution you need in just a few steps
- Features the following products
 - T-A® Inserts
 - T-A® Holders
 - GEN3SYS® XT Holders
 - ALVAN® Reamers



iq.alliedmachine.com

Solution Hub App

All Allied all the time.

- Quickly look up product information
- Links to our free online tools
- Locate distributors
- Stay up to date on news and events



Machinist Tool App

Quickly convert cutting tool parameters for the machine inputs you need.

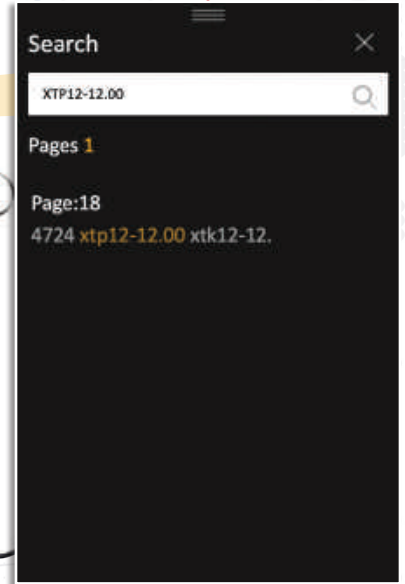
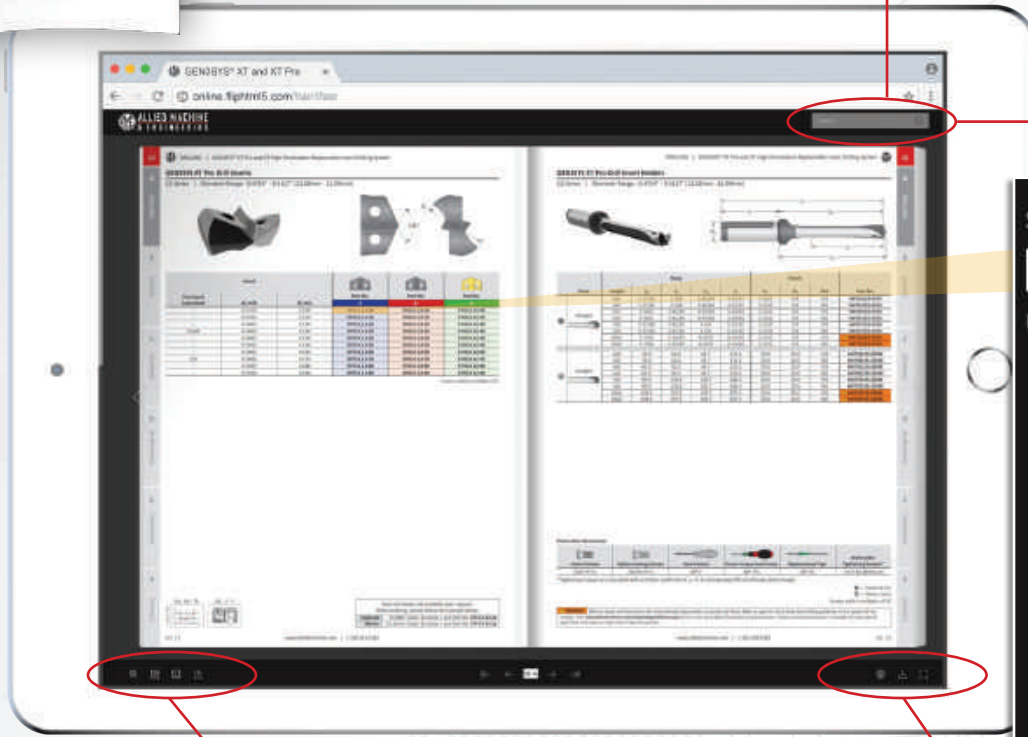
- Input data to calculate the RPM and speed and feed rates
- Also features the Boring Insert Selector
- Access product literature right at your fingertips





Find what you need. Now.

Flipbook gives you the ability to search for a specific item number and find the page(s) where it's located. Save time searching the catalog by hand if you already know what item number you need. Visit the Flipbooks now at alliedmachine.com/support/literature.



Zoom in for a closer look.

Set the catalog to auto flip.

Scroll through the pages in thumbnail view.

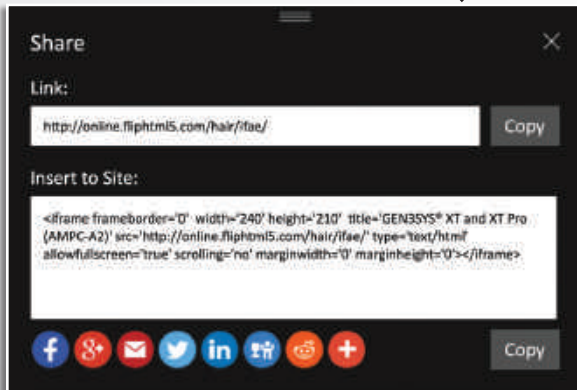
Share the Flipbook with others.



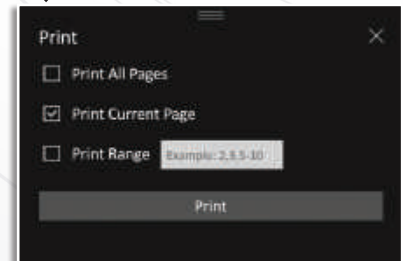
Print the full catalog or specific pages.

View in full screen mode.

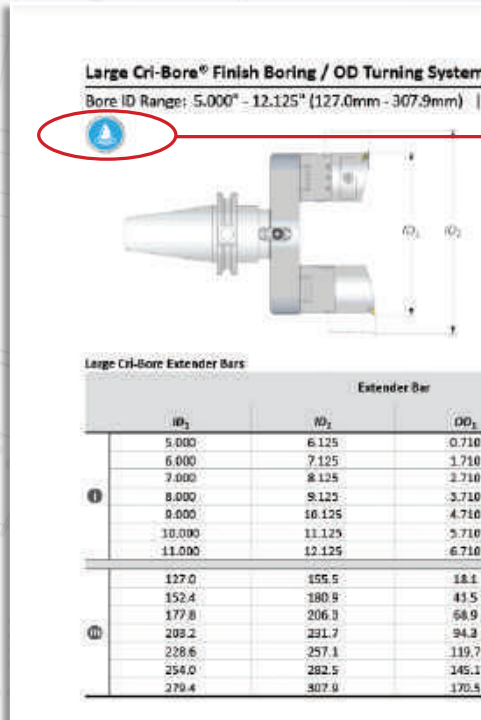
Download the catalog PDF.



Share the link to each Flipbook via email and social media.



Icon Reference Guide



Navigate with ease.

The following icons will appear throughout the catalog to help you navigate between products and find the best solution quickly.

Coating Options



AM200 Coating



AM300 Coating



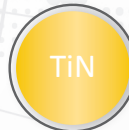
AM210 Coating



AM420 Coating



TiCN Coating



TiN Coating

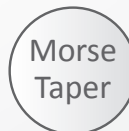


TiAlN Coating

Tool Options



Straight Shank



Morse Taper Shank



Coolant Through

Criterion® Modular Boring Systems

MBS | CBS | MDS | Cri-Bore® | Large Cri-Bore® | CB Style



CRITERION®

Boring holes doesn't have to be boring.

Criterion modular boring systems bring speed, tolerance, toughness, and versatility to your boring applications.

The MBS finish boring tool is ideal for small diameter bores and high spindle speeds to bore quickly and efficiently.

The Cri-Bore boring system is designed for finish boring applications and can be used for extremely tight tolerances. When the tolerance is tight, the Cri-Bore can be adjusted in 0.00005" (fifty-millionths).

The versatile CB style boring heads are available in both micro adjusting and standard. Made for maximum toughness, the CB style boring head can produce a wide range of diameters.

Your safety and the safety of others is very important. This catalog contains important safety messages. Always read and follow all safety precautions.



This triangle is a safety hazard symbol. It alerts you to potential safety hazards that can cause tool failure and serious injury.

When you see this symbol in the catalog, look for a related safety message that may be near this triangle or referred to in the nearby text.

There are safety signal words also used in the catalog. Safety messages follow these words.

WARNING

WARNING (shown above) means that failure to follow the precautions in this message could result in tool failure and serious injury.

NOTICE means that failure to follow the precautions in this message could result in damage to the tool or machine but not result in personal injury.

NOTE and **IMPORTANT** are also used. These are important that you read and follow but are not safety-related.

Visit www.alliedmachine.com for the most up-to-date information and procedures.



Aerospace



Agriculture



Automotive



Firearms

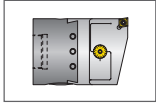


Renewable
Energy

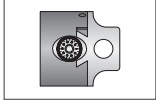
Criterion® Modular Boring Systems Contents

Reference Icons

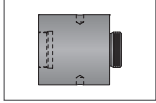
The following icons will appear throughout the catalog to help you navigate between products.



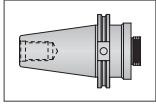
Boring Heads - Insert Holders
Micro adjusting boring heads that use inserts for cutting



Boring Heads - Boring Bar Holders
Standard and micro adjusting boring heads that use boring bars for cutting



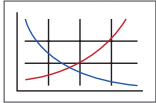
Head-to-Shank Adapters
Extensions and reducers that attach the boring head to the shank



Shanks
A variety of shanks for different machines



Setup / Assembly Information
Detailed instructions and information regarding the corresponding part(s)



Recommended Cutting Data
Speed and feed recommendations for optimum and safe boring

MBS Finish Boring Tools 2 - 6

CBS Finish Boring Tools 8 - 11

MDS Finish Boring Tools 12 - 14

Cri-Bore® Micro Adjusting Finish Boring Heads 16 - 18

Large Cri-Bore® Finish Boring / OD Turning System 20 - 25

CB Style Versatile Finish Boring Heads 26 - 45

Intermediate Modules 48 - 49

Master Shanks 50 - 53

Parts & Accessories 54 - 55

Technical Information 56 - 58

Guidelines / Troubleshooting

Guidelines to Not Exceed Recommended Length 60

Calculating Tool Assembly Weight 61

Recommended Cutting Data 62 - 63

Series	Bore Diameter Range	
	Imperial (inch)	Metric (mm)
MBS Finish Boring Tools	0.050" - 0.750"	–
CBS Finish Boring Tools	0.050" - 0.750"	–
MDS Finish Boring Tools	0.710" - 1.280"	18.00mm - 33.00mm
Cri-Bore® Micro Adjusting Finish Boring Heads	1.050" - 5.065"	27.00mm - 128.00mm
Large Cri-Bore® Finish Boring / OD Turning System	5.000" - 12.125"	127.00mm - 308.00mm
CB Style Versatile Finish Boring Heads	0.250" - 21.500"	–



WE KNOW

SPEED MATTERS

MBS Finish Boring Tool

Ideal for small diameter bores and high spindle speeds

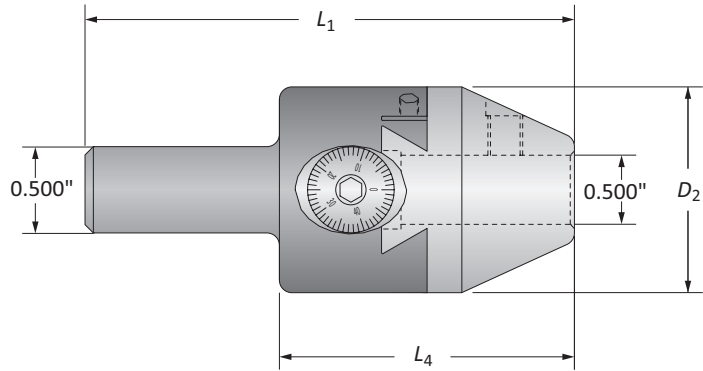
Compact design great for live tooling

Cylindrical shank can be dropped into existing tool holders



MBS Finish Boring Tool

Bore Diameter Range: 0.050" - 0.750"



Boring Range	Boring Head			Weight	Part No.
	L_1	L_4	D_2		
i 0.050 - 0.750	3.500	2.125	1.500	0.900 (lbs)	MBS0500B

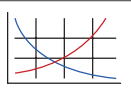
Imperial (in) = 0.001" adjustment on diameter

NOTE: Max spindle speed: 7,000 RPM at 0 radial offset

B20: 62 - 63

B20: 57 - 59

Key on B20: 1

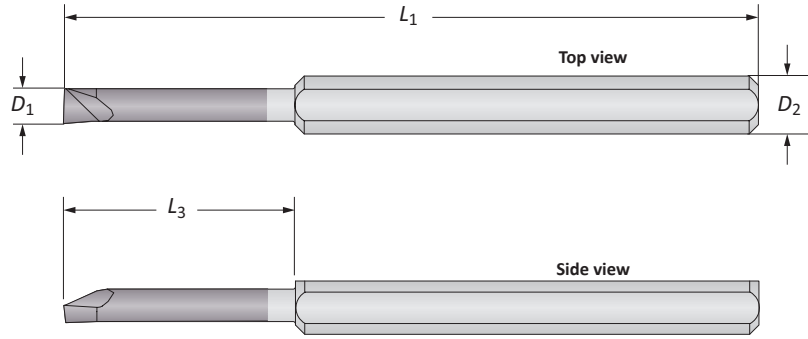


i = Imperial (in)
m = Metric (mm)

IMPORTANT: Max spindle speed refers to maximum possible speed for individual boring head and is not a recommended parameter. Refer to page B20: 62 for recommended application specific parameters. Factory technical assistance is available for your specific applications through our Application Engineering department.
ext: 7611 | email: appeng@alliedmachine.com

Mini Coated Boring Tools

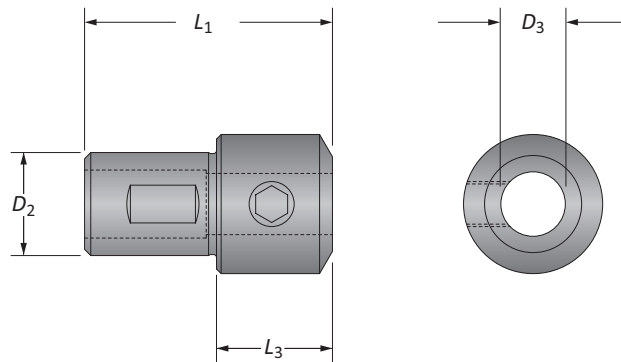
Bore Diameter Range: 0.050" - 0.275"



Mini Coated Boring Bars

Min. Boring Diameter	Boring Bar				Weight	Part No.
D_1	L_3	L_1	D_2			
0.050	0.300	1.500	0.125*	0.010 (lbs)	0050GA	
0.060	0.300	1.500	0.125*	0.010 (lbs)	0060GA	
0.080	0.500	1.500	0.125*	0.010 (lbs)	0080GA	
0.100	0.600	1.500	0.125*	0.010 (lbs)	0100GA	
0.110	0.700	1.500	0.125*	0.010 (lbs)	0110GA	
0.120	0.750	2.500	0.250*	0.020 (lbs)	0120HA	
0.140	0.750	2.500	0.250*	0.020 (lbs)	0140HA	
0.160	0.875	2.500	0.250*	0.020 (lbs)	0160HA	
0.180	1.125	2.500	0.250*	0.020 (lbs)	0180HA	
0.200	1.250	2.500	0.250*	0.020 (lbs)	0200HA	

*Reducing sleeve required

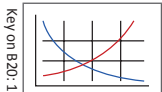


Reducing Sleeves

Reducing Sleeve					
D_3	D_2	L_1	L_3	Weight	Part No.
0.125	0.500	2.000	0.220	0.100 (lbs)	BTH-01250500
0.250	0.500	1.312	-	0.050 (lbs)	BTH-02500500

B20: 62 - 63

B20: 57 - 59

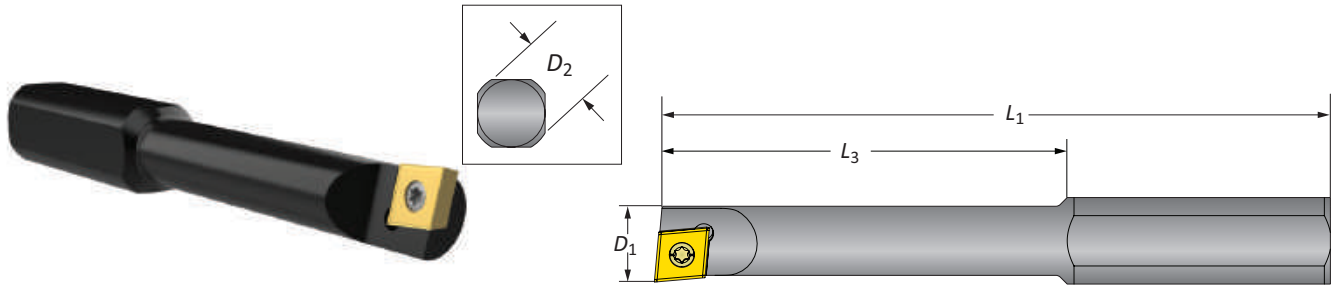


i = Imperial (in)
m = Metric (mm)



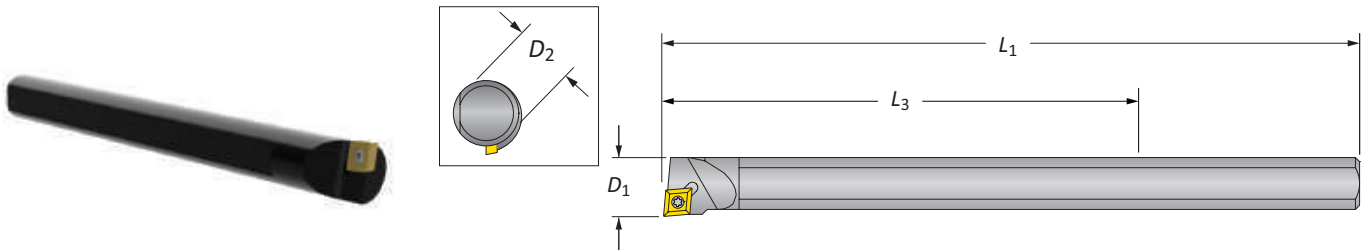
Boring Bars

Bore Diameter Range: 0.250" - 0.750"



Steel Boring Bars | Bore Diameter Range: 0.250" - 0.750"

Min. Boring Diameter	Boring Bar			Weight	Insert Form	Part No.
	D_1	L_3	L_1			
0.250	1.062	2.500	0.500	0.080 (lbs)	WBGX0301..	0250B
0.312	1.437	2.750	0.500	0.080 (lbs)	WBGX0301..	0312B
0.375	1.750	3.062	0.500	0.100 (lbs)	WBGX0301..	0375B
0.437	2.062	3.375	0.500	0.110 (lbs)	CC..215..	0437B
0.500	2.187	3.500	0.500	0.140 (lbs)	CC..215..	0500B



Heavy Metal Boring Bars | Bore Diameter Range: 0.365" - 0.750"

Min. Boring Diameter	Boring Bar			Weight	Insert Form	Part No.
	D_1	L_3	L_1			
0.365	2.250	4.000	0.312*	0.080 (lbs)	CC..215..	0365HM
0.550	3.250	6.000	0.500	0.300 (lbs)	CC..215..	0550BHM

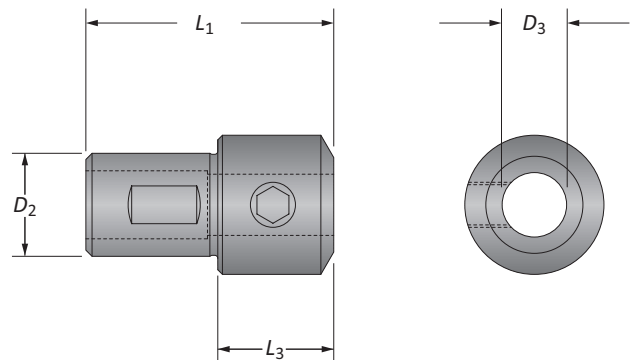
*Reducing sleeve required

Carbide Boring Bars | Bore Diameter Range: 0.625" - 0.750"

Min. Boring Diameter	Boring Bar			Weight	Insert Form	Part No.
	D_1	L_3	L_1			
0.625	4.500	8.000	0.500	0.410 (lbs)	CC..215..	0625BCS

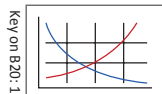
Reducing Sleeves

Reducing Sleeve				Weight	Part No.
	D_3	D_2	L_1		
0.312	0.500	1.312	-	0.040 (lbs)	BTH-03120500
0.375	0.500	1.312	-	0.030 (lbs)	BTH-03750500



B20: 62 - 63

B20: 57 - 59



ⓘ = Imperial (in)
 ⓘ = Metric (mm)
 Inserts sold separately

A DRILLING
 B BORING
 C REAMING
 D BURNISHING
 E THREADING
 X SPECIALS

A
DRILLING

B
BORING

C
REAMING

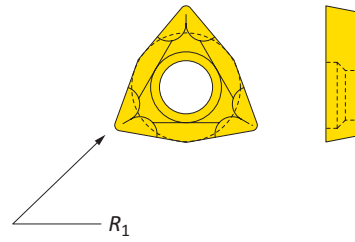
D
BURNISHING

E
THREADING

X
SPECIALS

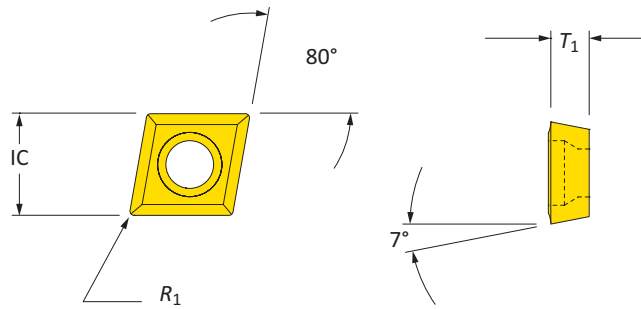
Boring Inserts

Trigon | 80° Diamond



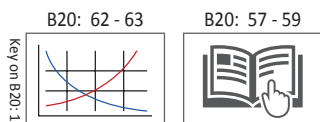
Coated Trigon Insert

		Insert		Part No.
Insert Form		R_1		
i	WBGX0301..	0.004	WBGX030101	



Coated 80° Diamond Insert

		Insert			Part No.
Insert Form		IC	T_1	R_1	
i	CC..215..	0.250	0.094	0.008	CCMT060202



i = Imperial (in)
m = Metric (mm)
Inserts sold separately



WE KNOW

REACH MATTERS

CBS Finish Boring Tool



Ease the stress of reaching past fixturing

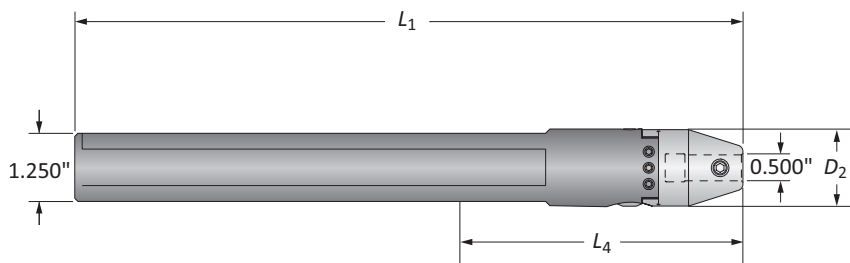
Ideal for small diameter bores with long overhangs

Cylindrical shank can be dropped into existing endmill (side-lock) holders



CBS Finish Boring Tool

Bore Diameter Range: 0.050" - 0.750"



Boring Range	Boring Head			Weight	Part No.
	L_1	L_4	D_2		
i 0.050 - 0.750	10.600	8.320	1.250	3.100 (lbs)	CBS1250B

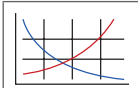
Imperial (in)= 0.001" adjustment on diameter

NOTE: Max spindle speed: 3,500 RPM at 0 radial offset

B20: 62 - 63

B20: 57 - 59

Key on B20: 1

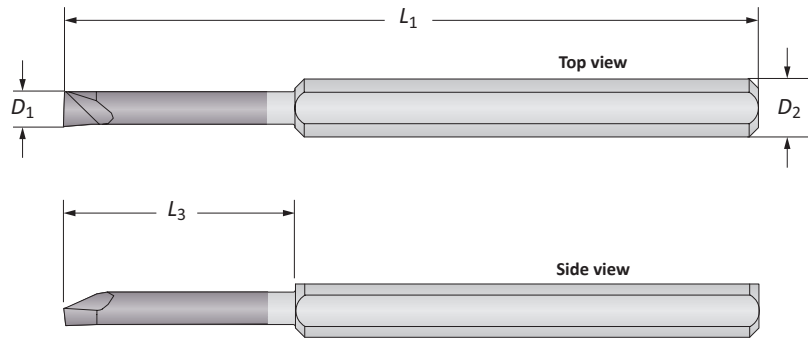


i = Imperial (in)
m = Metric (mm)

IMPORTANT: Max spindle speed refers to maximum possible speed for individual boring head and is not a recommended parameter. Refer to page B20: 62 for recommended application specific parameters. Factory technical assistance is available for your specific applications through our Application Engineering department.
ext: 7611 | email: appeng@alliedmachine.com

Mini Coated Boring Tools

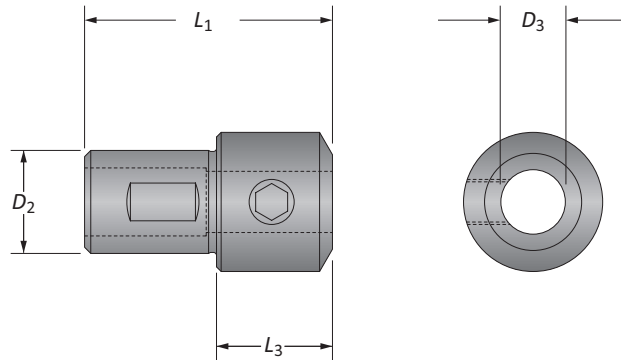
Bore Diameter Range: 0.050" - 0.275"



Mini Coated Boring Tools

Min. Boring Diameter	Boring Bar				Weight	Coated Part No.
	D_1	L_3	L_1	D_2		
0.050	0.300	1.500	0.125*	0.010 (lbs)	0050GA	
0.060	0.300	1.500	0.125*	0.010 (lbs)	0060GA	
0.080	0.500	1.500	0.125*	0.010 (lbs)	0080GA	
0.100	0.600	1.500	0.125*	0.010 (lbs)	0100GA	
0.110	0.700	1.500	0.125*	0.010 (lbs)	0110GA	
0.120	0.750	2.500	0.250*	0.020 (lbs)	0120HA	
0.140	0.750	2.500	0.250*	0.020 (lbs)	0140HA	
0.160	0.875	2.500	0.250*	0.020 (lbs)	0160HA	
0.180	1.125	2.500	0.250*	0.020 (lbs)	0180HA	
0.200	1.250	2.500	0.250*	0.020 (lbs)	0200HA	

*Reducing sleeve required

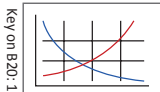


Reducing Sleeves

	Reducing Sleeve				Weight	Part No.
	D_3	D_2	L_1	L_3		
0.125	0.500	2.000	0.220	0.100 (lbs)	BTH-01250500	
0.250	0.500	1.312	-	0.050 (lbs)	BTH-02500500	
0.375	0.500	1.312	-	0.030 (lbs)	BTH-03750500	

B20: 62 - 63

B20: 57 - 59

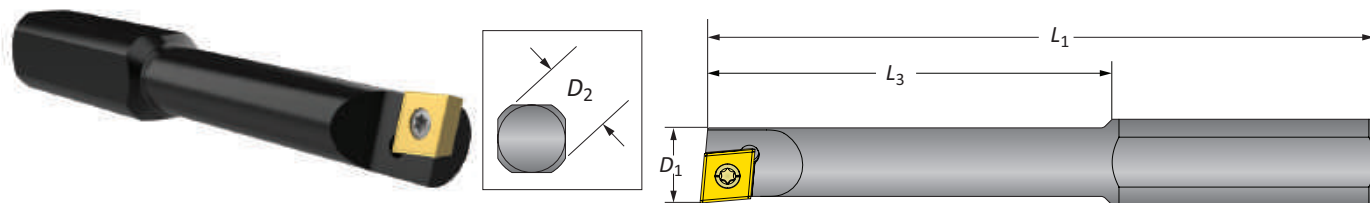


i = Imperial (in)
m = Metric (mm)



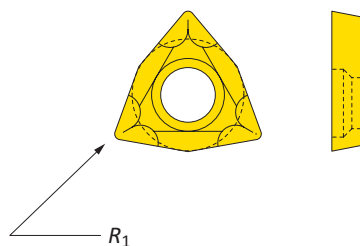
Steel Boring Bars | Boring Inserts

Bore Diameter Range: 0.250" - 0.750"



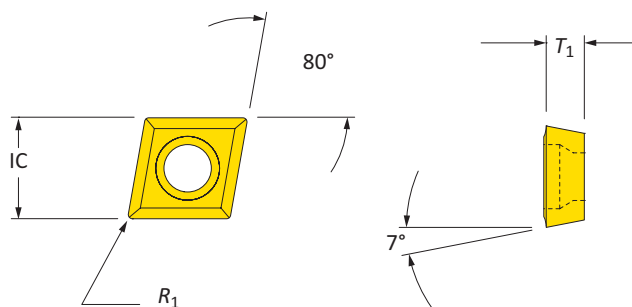
Steel Boring Bars

Min. Boring Diameter	Boring Bar				Weight	Insert Form	Part No.
	D_1	L_3	L_1	D_2			
0.250	1.062	2.500	0.500	0.080 (lbs)	WBGX0301...	0250B	
0.312	1.437	2.750	0.500	0.080 (lbs)	WBGX0301...	0312B	
0.375	1.750	3.062	0.500	0.100 (lbs)	WBGX0301...	0375B	
0.437	2.062	3.375	0.500	0.110 (lbs)	CC..215..	0437B	
0.500	2.187	3.500	0.500	0.140 (lbs)	CC..215..	0500B	



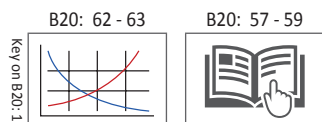
Coated Trigon Insert

Insert Form	Insert R_1	Part No.
WBGX0301...	0.004	WBGX030101



Coated 80° Diamond Insert

Insert Form	Insert IC	Insert T_1	Insert R_1	Part No.
CC..215..	0.250	0.094	0.008	CCMT060202



i = Imperial (in)
m = Metric (mm)
 Inserts sold separately

A DRILLING
 B BORING
 C REAMING
 D BURNISHING
 E THREADING
 X SPECIALS



WE KNOW CONVENIENCE MATTERS

MDS Finish Boring Tool

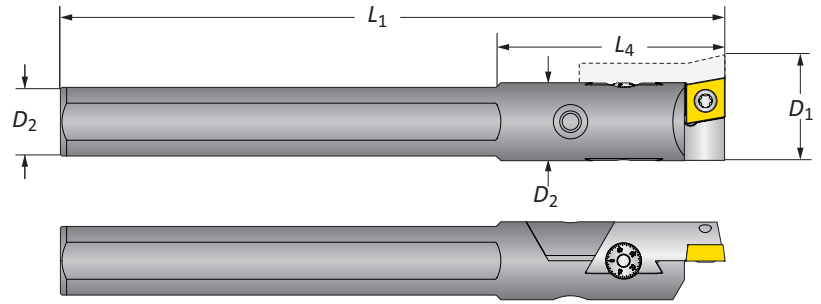
Compact design and rugged insert holder make it one of the toughest boring tools under 1.000" (25.4mm) diameter

Cylindrical shank can be dropped into existing endmill (side-lock) holders

Available in both imperial (in) and metric (mm) versions

MDS Finish Boring Tools

Bore Diameter Range: 0.710" - 1.280" (18.00mm - 33.00mm)



	Boring Range		Shank Diameter		Boring Head		Weight	Insert Form	Part No.
	D_1	D_2	L_1	Max L_4					
i	0.710 - 0.960	0.625	5.250	3.386	0.400 (lbs)	CC..215..	MDS0625		
	0.890 - 1.280	0.750	6.310	4.435	0.700 (lbs)	CC..325..	MDS0750		
m	18.00 - 24.25	16.00	133.00	85.37	0.18 (kg)	CC..0602..	MDS16M		
	22.00 - 33.00	20.00	160.00	112.37	0.32 (kg)	CC..09T3..	MDS20M		

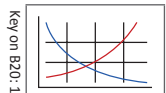
Imperial (in) = 0.001" adjustment on diameter

Metric (mm) = 0.020mm adjustment on diameter

NOTE: Max spindle speed: 1,000 SFM (305 M/Min) at 0 radial offset

B20: 62 - 63

B20: 57 - 59



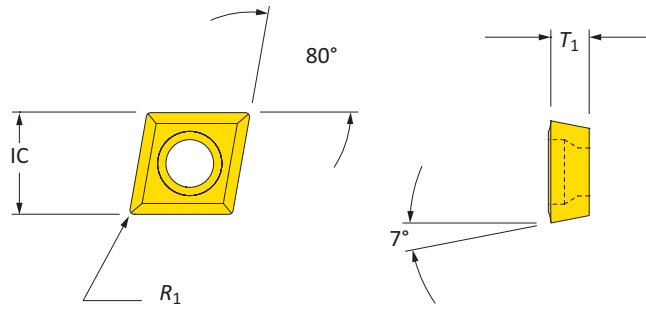
i = Imperial (in)
m = Metric (mm)

Inserts sold separately

IMPORTANT: Max spindle speed refers to maximum possible speed for individual boring head and is not a recommended parameter. Refer to page B20: 62 for recommended application specific parameters. Factory technical assistance is available for your specific applications through our Application Engineering department.
ext: 7611 | email: appeng@alliedmachine.com

Boring Inserts

Coated 80° Diamond Inserts



	Insert Form	Insert			Part No.
		IC	T ₁	R ₁	
i	CC..215..	0.250	0.094	0.008	CCMT060202
	CC..325..	0.375	0.156	0.008	CCMT09T302
	CC..325..	0.375	0.156	0.016	CCMT09T304
m	CC..0602..	6.35	2.38	0.20	CCMT060202
	CC..09T3..	9.53	3.97	0.20	CCMT09T302
	CC..09T3..	9.53	3.97	0.40	CCMT09T304

A
DRILLING

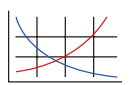
B
BORING


C
REAMING

D
BURNISHING

E
THREADING

X
SPECIALS

B20: 62 - 63  **Key on B20: 1**

B20: 57 - 59 

i = Imperial (in)
m = Metric (mm)
Inserts sold separately



WE KNOW

TOLERANCE MATTERS

Cri-Bore[®] Micro Adjusting

Allows for 0.00005" (0.001mm) on diameter bore increments

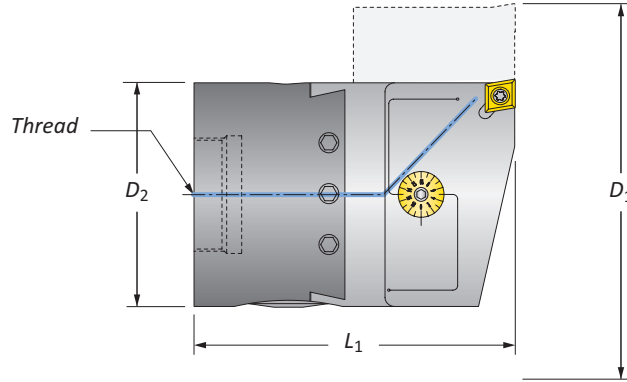
Modular system can be used on virtually any machine

Available in both imperial (in) and metric (mm) versions



Cri-Bore® Micro Adjusting Finish Boring Heads

Bore Diameter Range: 1.050" - 5.065" (27.00mm - 128.00mm)

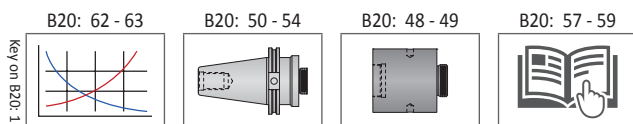


	Boring Range		Boring Head		Weight	Insert Form	Part. No
	D_1	Thread Connection	L_1	D_2			
i	1.050 - 1.320	¾ - 20	2.690	1.000	0.500 (lbs)	CC..215..	CB1000CC
	1.050 - 1.320	¾ - 20	2.690	1.000	0.500 (lbs)	TC..215..	CB1000TC
	1.300 - 1.600	¾ - 20	2.900	1.250	0.800 (lbs)	CC..215..	CB1250CC
	1.300 - 1.600	¾ - 20	2.900	1.250	0.800 (lbs)	TC..215..	CB1250TC
	1.585 - 2.700	¾ - 20	3.200	1.500	1.300 (lbs)	CC..325..	CB1500CC
	1.585 - 2.700	¾ - 20	3.200	1.500	1.300 (lbs)	TC..325..	CB1500TC
	2.060 - 3.320	¾ - 20	3.590	2.000	2.400 (lbs)	CC..325..	CB2000CC
	2.060 - 3.320	¾ - 20	3.590	2.000	2.400 (lbs)	TC..325..	CB2000TC
m	3.065 - 5.065	1½ - 18	4.100	3.000	5.800 (lbs)	CC..325..	CB3000CC
	3.065 - 5.065	1½ - 18	4.100	3.000	5.800 (lbs)	TC..325..	CB3000TC
	27.00 - 33.00	¾ - 20	68.35	25.00	0.23 (kg)	CC..0602..	CB025MCC
	27.00 - 33.00	¾ - 20	68.35	25.00	0.23 (kg)	TC..1102..	CB025MTC
	33.00 - 41.00	¾ - 20	73.65	32.00	0.36 (kg)	CC..0602..	CB032MCC
	33.00 - 41.00	¾ - 20	73.65	32.00	0.36 (kg)	TC..1102..	CB032MTC
	41.00 - 68.00	¾ - 20	81.25	38.00	0.59 (kg)	CC..09T3..	CB038MCC
	41.00 - 68.00	¾ - 20	81.25	38.00	0.59 (kg)	TC..16T3..	CB038MTC
	53.00 - 84.00	¾ - 20	91.30	50.00	1.09 (kg)	CC..09T3..	CB050MCC
	53.00 - 84.00	¾ - 20	91.30	50.00	1.09 (kg)	TC..16T3..	CB050MTC
78.00 - 128.00	1½ - 18	104.25	76.00	2.36 (kg)	CC..09T3..	CB076MCC	
78.00 - 128.00	1½ - 18	104.25	76.00	2.36 (kg)	TC..16T3..	CB076MTC	

Imperial (in) = 0.00005" adjustment on diameter

Metric (mm) = 0.001mm adjustment on diameter

NOTE: Max spindle speed: 1,000 SFM (305 M/Min) at 0 radial offset



i = Imperial (in)
m = Metric (mm)

Inserts sold separately

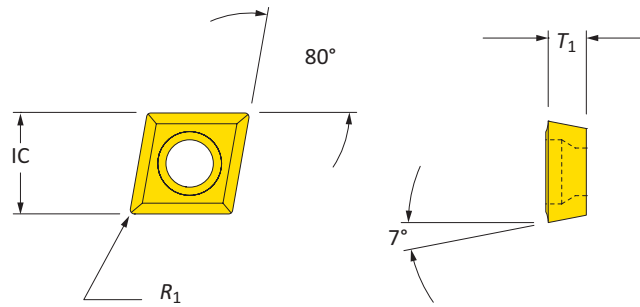
IMPORTANT: Max spindle speed refers to maximum possible speed for individual boring head and is not a recommended parameter. Refer to page B20: 62 for recommended application specific parameters. Factory technical assistance is available for your specific applications through our Application Engineering department.

ext: 7611 | email: appeng@alliedmachine.com

A DRILLING
B BORING
C REAMING
D BURNISHING
E THREADING
X SPECIALS

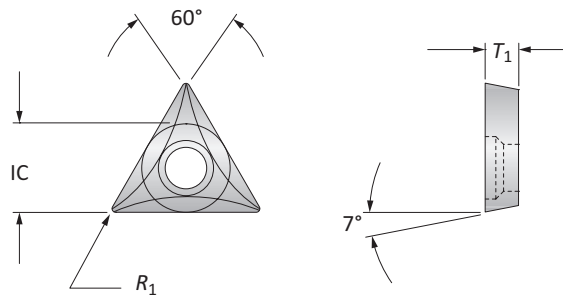
Boring Inserts

80° Diamond Insert | 60° Triangle Insert



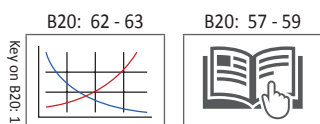
Coated 80° Diamond Inserts

	Insert Form	Insert			Part No.
		IC	T ₁	R ₁	
i	CC..215..	0.250	0.094	0.008	CCMT060202
	CC..215..	0.250	0.094	0.016	CCMT060204
	CC..325..	0.375	0.156	0.008	CCMT09T302
	CC..325..	0.375	0.156	0.016	CCMT09T304
m	CC..0602..	6.35	2.38	0.20	CCMT060202
	CC..0602..	6.35	2.38	0.40	CCMT060204
	CC..09T3..	9.53	3.97	0.20	CCMT09T302
	CC..09T3..	9.53	3.97	0.40	CCMT09T304



Coated 60° Triangle Inserts

	Insert Form	Insert			Part No.
		IC	T ₁	R ₁	
i	TC..215..	0.250	0.094	0.008	TCGT110202
	TC..215..	0.250	0.094	0.016	TCGT110204
	TC..325..	0.375	0.156	0.016	TCGT16T304
m	TC..1102..	6.35	2.38	0.20	TCGT110202
	TC..1102..	6.35	2.38	0.40	TCGT110204
	TC..16T3..	9.53	3.97	0.40	TCGT16T304



i = Imperial (in)
m = Metric (mm)
 Inserts sold separately

A DRILLING
 B BORING
 C REAMING
 D BURNISHING
 E THREADING
 X SPECIALS



EXTEND YOUR BORING RANGE

Large Cri-Bore[®] Finish Boring / OD Turning System

Extend the diameter range for internal and external boring

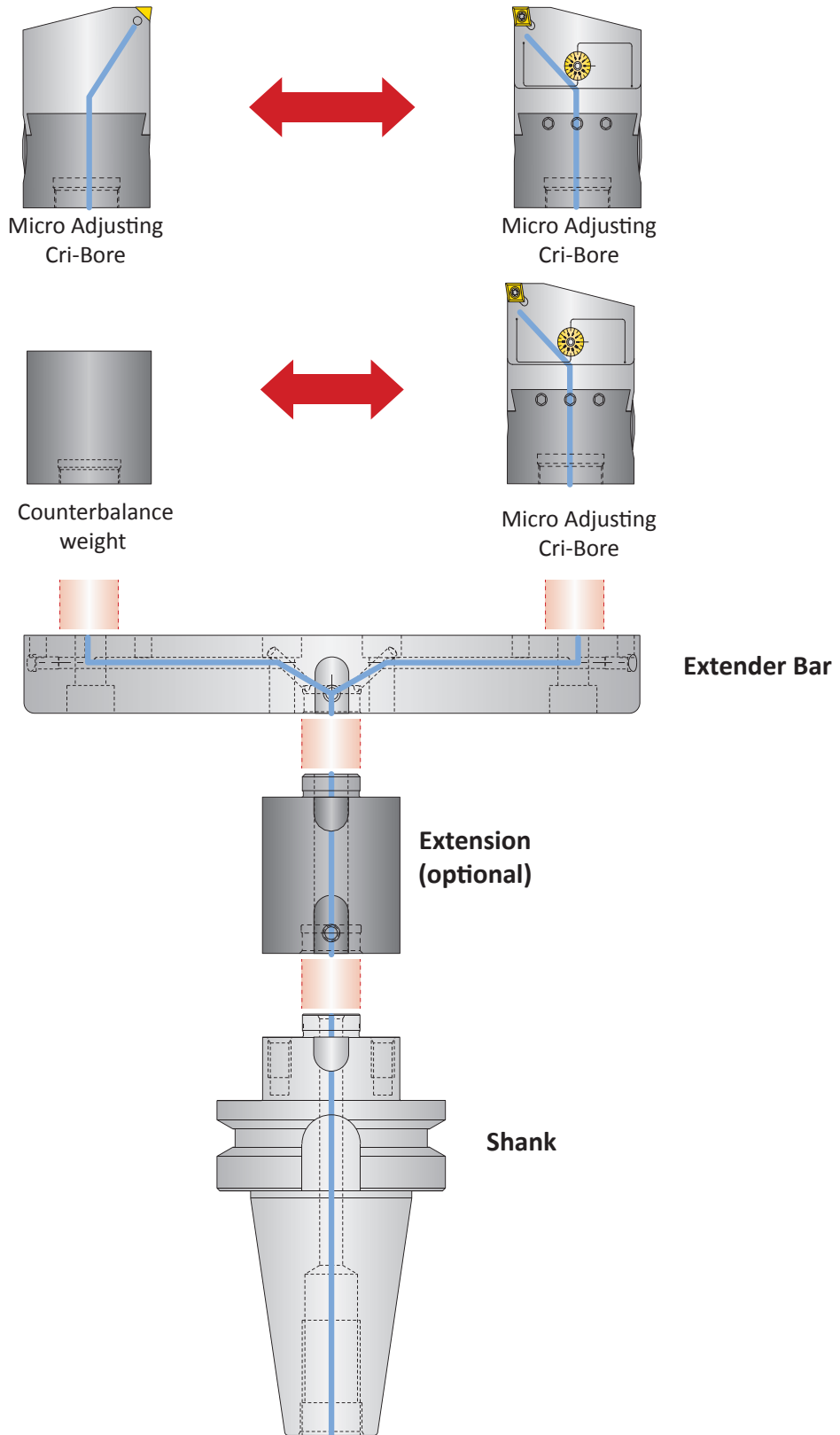
Modular tooling system allows for CAT, BT, or HSK shanks

Allows for 0.00005" (0.001mm) on diameter bore increments

Large Cri-Bore® Finish Boring / OD Turning System



Cri-Bore Boring Head / Optional Component Combinations



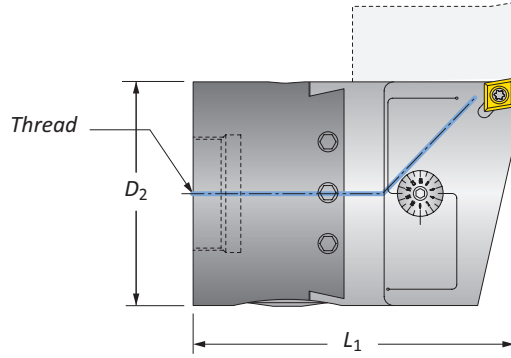
⚠ WARNING Exceeding weight capacity for machine tool spindle and tool changer can cause machine damage and/or serious injury. To prevent:

- Refer to page B20: 61 to see formula for calculating weight of tool assembly.
- Consult machine tool builder for machine's weight limitations.

Factory technical assistance is also available for specific applications through our Application Engineering department. ext: 7611 | email: appeng@alliedmachine.com

Cri-Bore Micro Adjusting Finish Boring Heads | Counter Weights

Bore ID Range: 5.000" - 12.125" (127.00mm - 307.90mm) | Bore OD Range: 0.710" - 7.830" (18.10mm - 198.80mm)



Cri-Bore Micro Adjusting Boring Heads

	Connection Thread	Boring Head		Weight	Insert Form	Part No.
		L_1	D_2			
i	$\frac{7}{8}$ - 20	3.200	1.500	1.300 (lbs)	CC..325..	CB1500CC
	$\frac{7}{8}$ - 20	3.200	1.500	1.300 (lbs)	TC..325..	CB1500TC
m	$\frac{7}{8}$ - 20	81.25	38.00	0.59 (kg)	CC..09T3..	CB038MCC
	$\frac{7}{8}$ - 20	81.25	38.00	0.59 (kg)	TC..16T3..	CB038MTC

Imperial (in) = 0.00005" adjustment on diameter

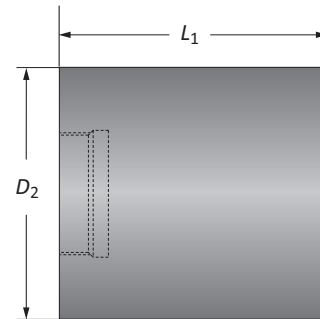
Metric (mm) = 0.001mm adjustment on diameter

NOTE: Max spindle speed ID boring: 1,000 SFM (305 M/Min) at 0 radial offset and used with counter weight or additional boring head

NOTE: Max spindle speed OD boring: Contact our Application Engineering department

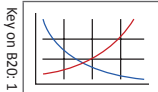
Large Cri-Bore Counter Weights

	Counter Weight		Weight	Part No.
	D_2	L_1		
i	1.500	2.580	1.250 (lbs)	LCB1500-CBWT A
m	38.10	65.53	0.57 (kg)	LCB1500-CBWT A



B20: 62 - 63

B20: 57 - 59



i = Imperial (in)

m = Metric (mm)

Inserts sold separately

IMPORTANT: Max spindle speed refers to maximum possible speed for individual boring head and is not a recommended parameter. Refer to page B20: 62 for recommended application specific parameters. Factory technical assistance is available for your specific applications through our Application Engineering department.
ext: 7611 | email: appeng@alliedmachine.com

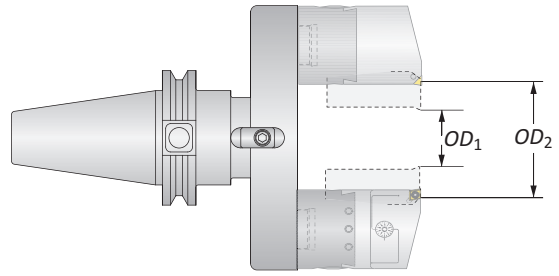
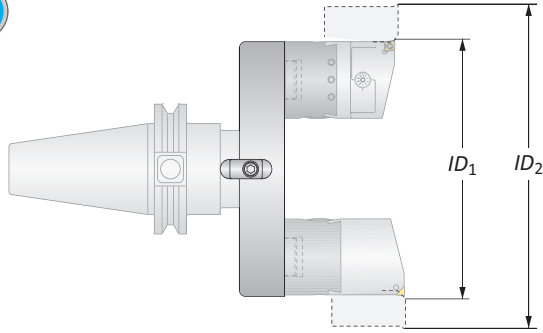
WARNING Exceeding weight capacity for machine tool spindle and tool changer can cause machine damage and/or serious injury. To prevent:

- Refer to page B20: 61 to see formula for calculating weight of tool assembly.
- Consult machine tool builder for machine's weight limitations.

Factory technical assistance is also available for specific applications through our Application Engineering department.

Large Cri-Bore® Finish Boring / OD Turning System Extender Bars | Extensions

Bore ID Range: 5.000" - 12.125" (127.00mm - 307.90mm) | Bore OD Range: 0.710" - 7.830" (18.10mm - 198.80mm)



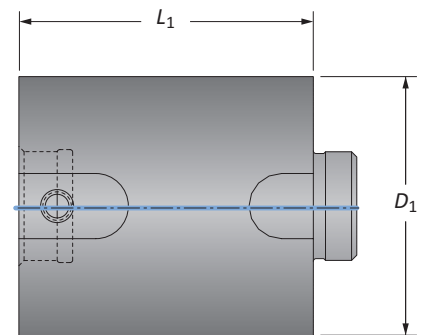
Large Cri-Bore Extender Bars

Extender Bar						
	ID_1	ID_2	OD_1	OD_2	Weight	Part No.
i	5.000	6.125	0.710	1.830	1.560 (lbs)	LCB1500-56EBK
	6.000	7.125	1.710	2.830	1.920 (lbs)	LCB1500-67EBK
	7.000	8.125	2.710	3.830	2.290 (lbs)	LCB1500-78EBK
	8.000	9.125	3.710	4.830	2.650 (lbs)	LCB1500-89EBK
	9.000	10.125	4.710	5.830	3.010 (lbs)	LCB1500-910EBK
	10.000	11.125	5.710	6.830	3.370 (lbs)	LCB1500-1011EBK
	11.000	12.125	6.710	7.830	3.730 (lbs)	LCB1500-1112EBK
m	127.00	155.50	18.10	46.40	0.71 (kg)	LCB1500-56EBK
	152.40	180.90	43.50	71.80	0.87 (kg)	LCB1500-67EBK
	177.80	206.30	68.90	97.20	1.04 (kg)	LCB1500-78EBK
	203.20	231.70	94.30	122.60	1.20 (kg)	LCB1500-89EBK
	228.60	257.10	119.70	148.00	1.37 (kg)	LCB1500-910EBK
	254.00	282.50	145.10	173.40	1.53 (kg)	LCB1500-1011EBK
	279.40	307.90	170.50	198.80	1.69 (kg)	LCB1500-1112EBK



Large Cri-Bore Extensions

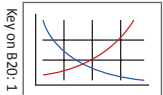
Extension				
	D_1	L_1	Weight	Part No.
i	1.500	1.500	0.660 (lbs)	LCB1500-IA1500
	1.500	3.000	1.330 (lbs)	LCB1500-IA3000
	1.500	4.500	1.980 (lbs)	LCB1500-IA4500
m	38.10	38.10	0.30 (kg)	LCB1500-IA1500
	38.10	76.20	0.60 (kg)	LCB1500-IA3000
	38.10	114.30	0.90 (kg)	LCB1500-IA4500



NOTE: Only one extension can be used per boring assembly. Extensions cannot be combined.

B20: 62 - 63

B20: 57 - 59



i = Imperial (in)
m = Metric (mm)

Inserts sold separately

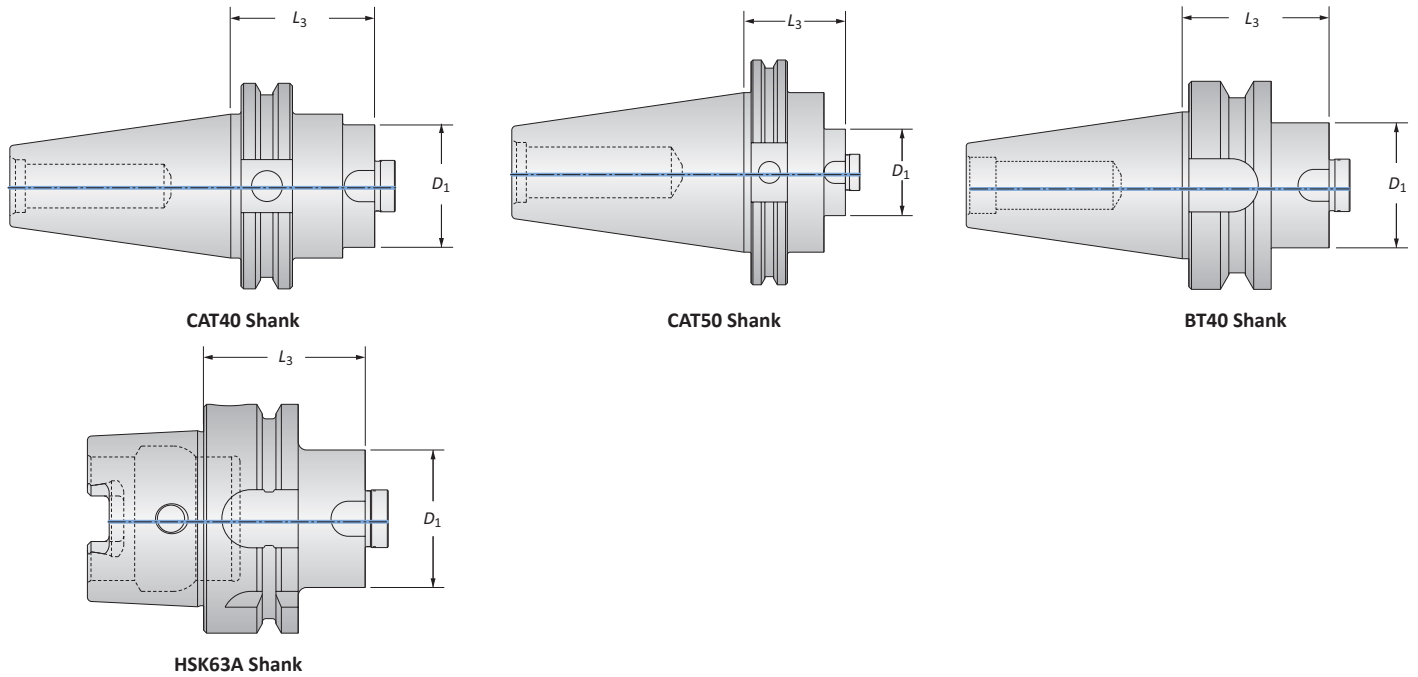
WARNING Exceeding weight capacity for machine tool spindle and tool changer can cause machine damage and/or serious injury. To prevent:

- Refer to page B20: 61 to see formula for calculating weight of tool assembly.
- Consult machine tool builder for machine's weight limitations.

Factory technical assistance is also available for specific applications through our Application Engineering department. ext: 7611 | email: appeng@alliedmachine.com

Large Cri-Bore® Finish Boring / OD Turning System Shanks

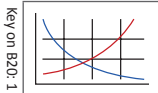
Bore ID Range: 5.000" - 12.125" (127.00mm - 307.90mm) | Bore OD Range: 0.710" - 7.830" (18.10mm - 198.80mm)



		Shank				
		L_3	D_1	Taper	Weight	Part No.
i		1.750	1.500	CAT40	2.410 (lbs)	LCB1500-CV40
		1.750	1.500	CAT50	6.960 (lbs)	LCB1500-CV50
		1.750	1.500	BT40	2.460 (lbs)	LCB1500-BT40
		1.750	1.500	HSK63A	1.750 (lbs)	LCB1500-HSK63A
		44.45	38.10	CAT40	1.09 (kg)	LCB1500-CV40
		44.45	38.10	CAT50	3.16 (kg)	LCB1500-CV50
		44.45	38.10	BT40	1.12 (kg)	LCB1500-BT40
		44.45	38.10	HSK63A	0.79 (kg)	LCB1500-HSK63A

B20: 62 - 63

B20: 57 - 59



i = Imperial (in)
m = Metric (mm)

Inserts sold separately

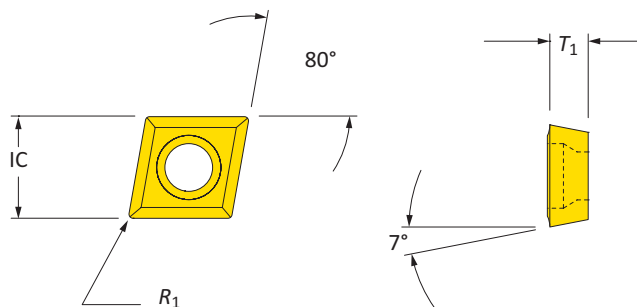
WARNING Exceeding weight capacity for machine tool spindle and tool changer can cause machine damage and/or serious injury. To prevent:

- Refer to page B20: 61 to see formula for calculating weight of tool assembly.
- Consult machine tool builder for machine's weight limitations.

Factory technical assistance is also available for specific applications through our Application Engineering department. ext: 7611 | email: appeng@alliedmachine.com

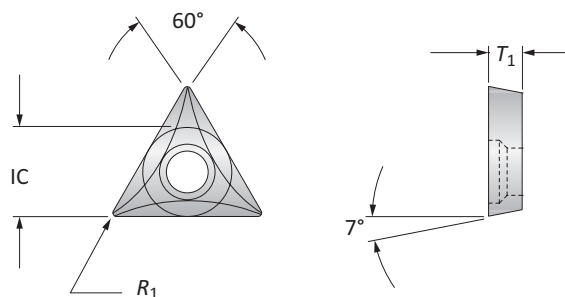
Boring Inserts

80° Diamond Insert | 60° Triangle Insert



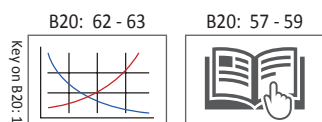
Coated 80° Diamond Inserts

	Insert Form	Insert			Part No.
		IC	T ₁	R ₁	
i	CC..325..	0.375	0.156	0.008	CCMT09T302
	CC..325..	0.375	0.156	0.016	CCMT09T304
	CC..325..	0.375	0.156	0.031	CCMT09T308
m	CC..09T3..	9.53	3.97	0.20	CCMT09T302
	CC..09T3..	9.53	3.97	0.40	CCMT09T304
	CC..09T3..	9.53	3.97	0.80	CCMT09T308



Coated 60° Triangle Inserts

	Insert Form	Insert			Part No.
		IC	T ₁	R ₁	
i	TC..325..	0.375	0.156	0.016	TCGT16T304
m	TC..16T3..	9.53	3.97	0.40	TCGT16T304



i = Imperial (in)
m = Metric (mm)
 Inserts sold separately



NEED VERSATILITY? NO PROBLEM.

CB Style Versatile Boring

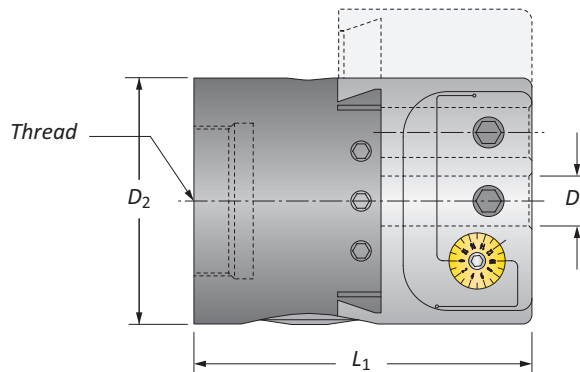
Wide range of diameters produced with
a single boring head

Allows for 0.001" adjustment on bore diameter and
0.000050" with CB2500BMA

Maximum toughness and maximum versatility

CB2500BMA Micro Adjusting Versatile Boring Head

Bore Diameter Range: 0.250" - 3.125"



		Boring Head				
Boring Range	Thread Connection	L_1	D_2	D_3	Weight	Part No.
i 0.250 - 3.125	1½ - 18	3.375	2.500	0.500	3.400 (lbs)	CB2500BMA

Imperial (in) = 0.00005" adjustment on diameter

NOTE: Max spindle speed: 2,000 RPM at 0 radial offset

A

DRILLING

B

BORING

C

REAMING

D

BURNISHING

E

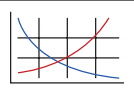
THREADING

X

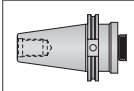
SPECIALS

key on B20: 1

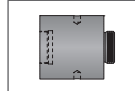
B20: 62 - 63




B20: 50 - 54



B20: 48 - 49



B20: 57 - 58



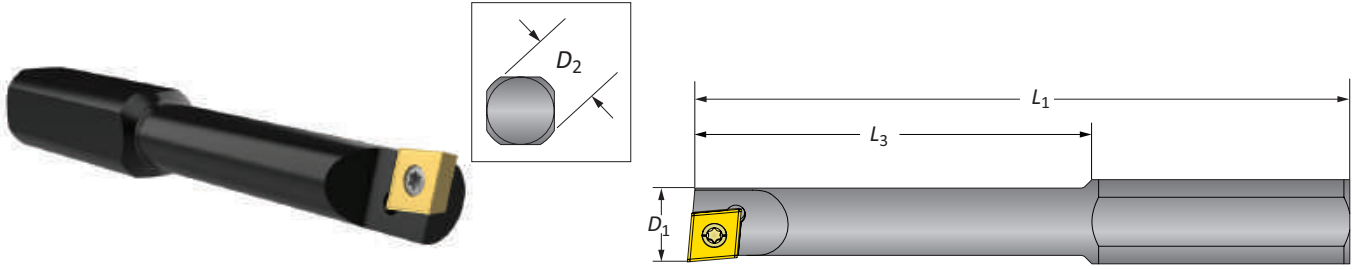
i = Imperial (in)
m = Metric (mm)

Inserts sold separately

IMPORTANT: Max spindle speed refers to maximum possible speed for individual boring head and is not a recommended parameter. Refer to page B20: 62 for recommended application specific parameters. Factory technical assistance is available for your specific applications through our Application Engineering department.
ext: 7611 | email: appeng@alliedmachine.com

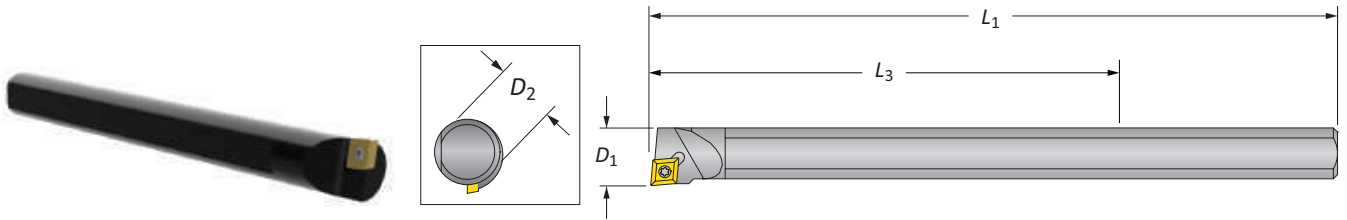
Boring Bars

Bore Diameter Range: 0.250" - 3.125"



Steel Boring Bars | Bore Diameter Range: 0.250" - 3.125"

Min. Boring Diameter	Boring Bar				Weight	Insert Form	Part No.
	D_1	L_3	L_1	D_2			
0.250	1.062	2.500	0.500	0.080 (lbs)	WBGX0301..	0250B	
0.312	1.437	2.750	0.500	0.080 (lbs)	WBGX0301..	0312B	
i 0.375	1.750	3.062	0.500	0.100 (lbs)	WBGX0301..	0375B	
0.437	2.062	3.375	0.500	0.110 (lbs)	CC..215..	0437B	
0.500	2.187	3.500	0.500	0.140 (lbs)	CC..215..	0500B	



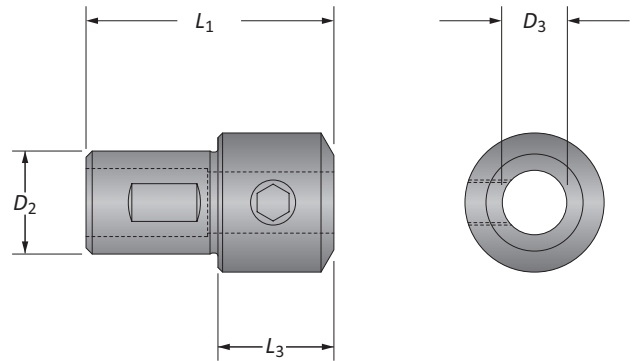
Heavy Metal Boring Bars | Bore Diameter Range: 0.365" - 3.125"

Min. Boring Diameter	Boring Bar				Weight	Insert Form	Part No.
	D_1	L_3	L_1	D_2			
i 0.365	2.250	4.000	0.312*	0.080 (lbs)	CC..215..	0365HM	
0.550	3.250	6.000	0.500	0.300 (lbs)	CC..215..	0550BHM	

*Reducing sleeve required

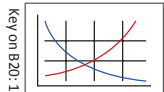
Reducing Sleeves

Reducing Sleeve					Weight	Part No.
	D_3	D_2	L_1	L_3		
i 0.312	0.500	1.312	-	0.040 (lbs)	BTH-03120500	
0.375	0.500	1.312	-	0.030 (lbs)	BTH-03750500	



B20: 62 - 63

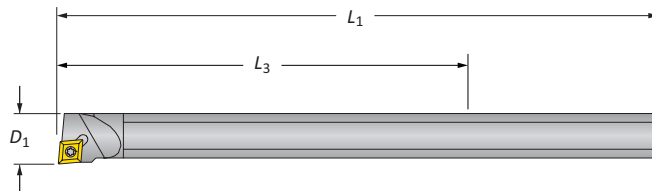
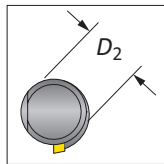
B20: 57 - 59



i = Imperial (in)
m = Metric (mm)

Boring Bar | Boring Inserts

Bore Diameter Range: 0.625" - 3.125"

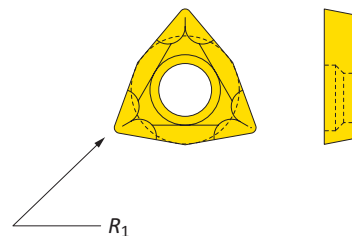


Carbide Boring Bar

	Min. Boring Diameter	Boring Bar			Weight	Insert Form	Part No.
	D_1	L_3	L_1	D_2			
i	0.625	4.500	8.000	0.500	0.410 (lbs)	CC..215..	0625BCS

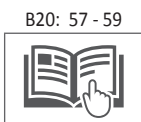
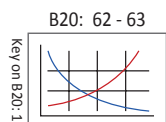
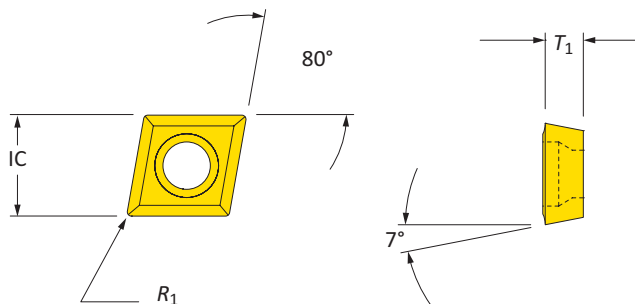
Coated Trigon Insert

	Insert Form	Insert	Part No.
		R_1	
i	WBGX0301..	0.004	WBGX030101



Coated 80° Diamond Inserts

	Insert Form	Insert			Part No.
		IC	T_1	R_1	
i	CC..215..	0.250	0.094	0.008	CCMT060202
	CC..215..	0.250	0.094	0.016	CCMT060204
	CC..215..	0.250	0.094	0.031	CCMT060208



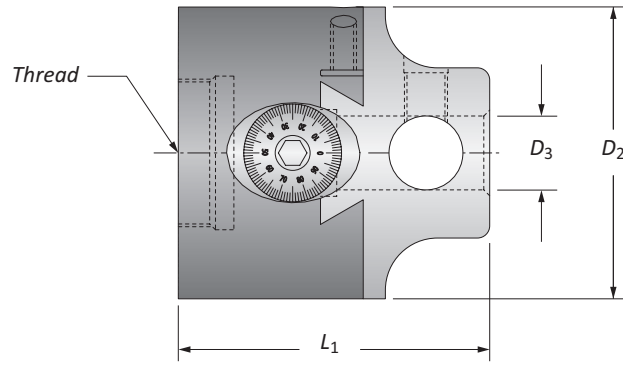
Key on B20-1

i = Imperial (in)
m = Metric (mm)
 Inserts sold separately

A DRILLING
 B BORING
 C REAMING
 D BURNISHING
 E THREADING
 X SPECIALS

CB202B Versatile Boring Head

Bore Diameter Range: 0.250" - 6.687"



	Boring Range	Thread Connection	Boring Head			Weight	Part No.
			L_1	D_2	D_3		
i	0.250 - 6.687	$\frac{7}{8}$ - 20	2.435	2.000	0.500	1.600 (lbs)	CB202B

NOTICE: Cross hole bars should always be secured in the bar holder with at least two set screws

Imperial (in) = 0.001" adjustment on diameter

NOTE: Max spindle speed: 2,500 RPM at 0 radial offset

A DRILLING
B BORING
C REAMING
D BURNISHING
E THREADING
X SPECIALS

Key on B20: 1

B20: 62 - 63

B20: 50 - 54

B20: 48 - 49

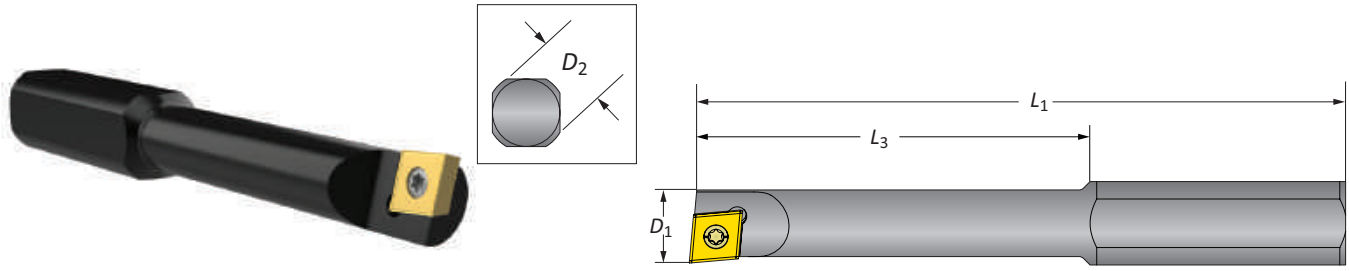
B20: 57 - 59

i = Imperial (in)
m = Metric (mm)

IMPORTANT: Max spindle speed refers to maximum possible speed for individual boring head and is not a recommended parameter. Refer to page B20: 62 for recommended application specific parameters. Factory technical assistance is available for your specific applications through our Application Engineering department.
ext: 7611 | email: appeng@alliedmachine.com

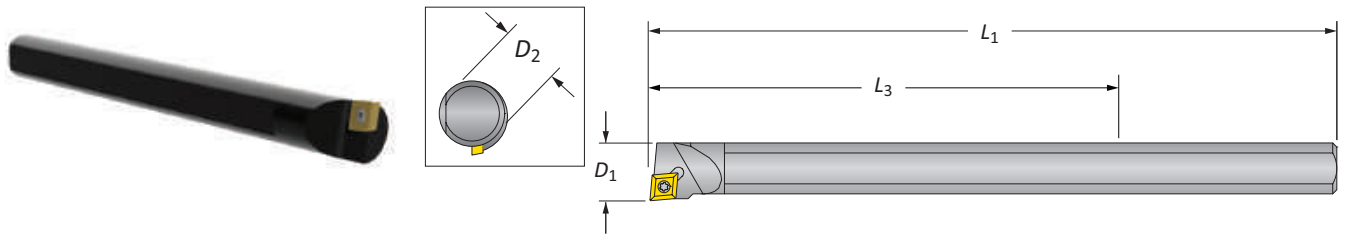
Boring Bars

Bore Diameter Range: 0.250" - 3.000"



Steel Boring Bars | Bore Diameter Range: 0.250" - 3.000"

Min. Boring Diameter	Boring Bar				Weight	Insert Form	Part No.
	D_1	L_3	L_1	D_2			
i 0.250	1.062	2.500	0.500	0.080 (lbs)	WBGX0301..	0250B	
0.312	1.437	2.750	0.500	0.080 (lbs)	WBGX0301..	0312B	
0.375	1.750	3.062	0.500	0.100 (lbs)	WBGX0301..	0375B	
0.437	2.062	3.375	0.500	0.110 (lbs)	CC..215..	0437B	
0.500	2.187	3.500	0.500	0.140 (lbs)	CC..215..	0500B	



Heavy Metal Boring Bars | Bore Diameter Range: 0.365" - 3.000"

Min. Boring Diameter	Boring Bar				Weight	Insert Form	Part No.
	D_1	L_3	L_1	D_2			
i 0.365	2.250	4.000	0.312*	0.080 (lbs)	CC..215..	0365HM	
0.550	3.250	6.000	0.500	0.300 (lbs)	CC..215..	0550BHM	

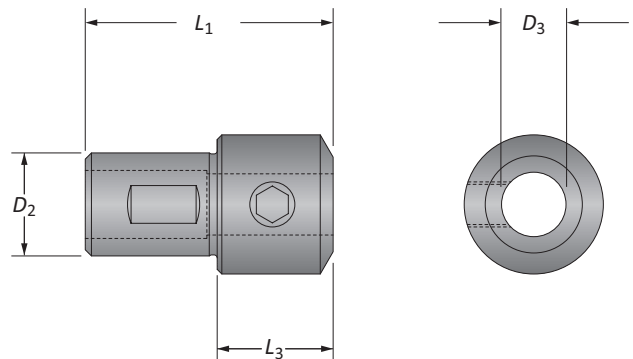
*Reducing sleeve required

Carbide Boring Bar | Bore Diameter Range: 0.625" - 3.000"

Min. Boring Diameter	Boring Bar				Weight	Insert Form	Part No.
	D_1	L_3	L_1	D_2			
i 0.625	4.500	8.000	0.500	0.410 (lbs)	CC..215..	0625BCS	

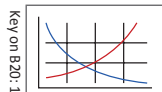
Reducing Sleeves

Min. Boring Diameter	Reducing Sleeve				Weight	Part No.
	D_3	D_2	L_1	L_3		
i 0.312	0.500	1.312	-	0.040 (lbs)	BTH-03120500	
0.375	0.500	1.312	-	0.030 (lbs)	BTH-03750500	



B20: 62 - 63

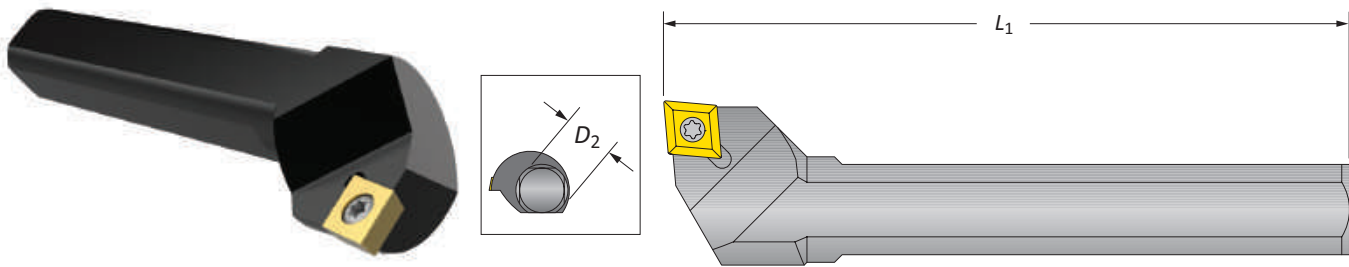
B20: 57 - 59



i = Imperial (in)
m = Metric (mm)

Boring Bar

Bore Diameter Range: 2.875" - 6.687"



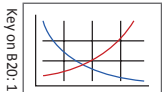
	Boring Bar*		Weight	Insert Form	Part No.
	Min. Boring Diameter	L_1			
i	2.875	2.750	0.140 (lbs)	CC..215..	0500BCH

*NOTICE: Cross hole bars should always be secured in the bar holder with at least two set screws

A
DRILLING
B
BORING
C
REAMING
D
BURNISHING
E
THREADING
X
SPECIALS

B20: 62 - 63

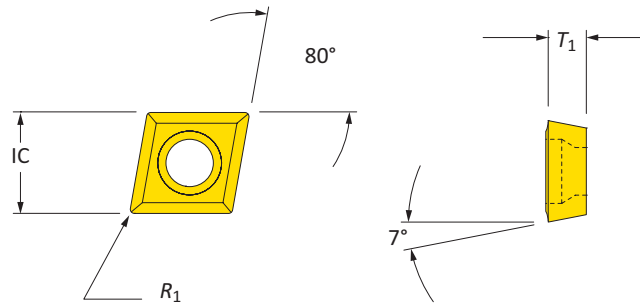
B20: 57 - 59



i = Imperial (in)
m = Metric (mm)
Inserts sold separately

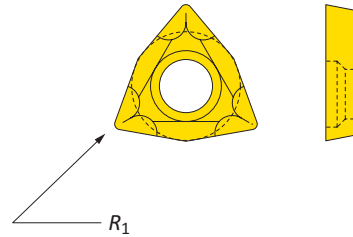
Boring Inserts

80° Diamond Insert | 60° Triangle Insert



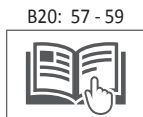
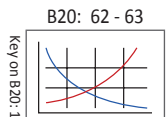
Coated 80° Diamond Inserts

	Insert Form	Insert			Part No.
		IC	T ₁	R ₁	
i	CC..215..	0.250	0.094	0.008	CCMT060202
	CC..215..	0.250	0.094	0.016	CCMT060204
	CC..215..	0.250	0.094	0.031	CCMT060208



Coated Trigon Insert

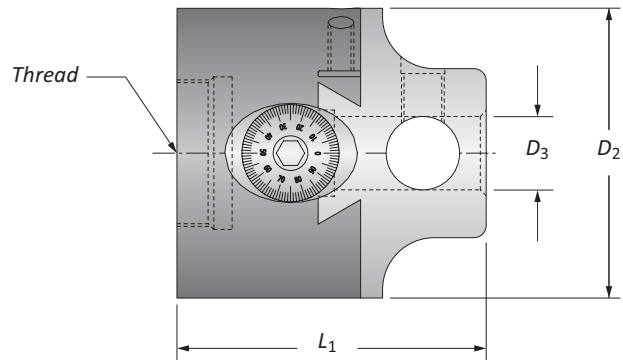
	Insert Form	Insert		Part No.
		R ₁		
i	WBGX0301..	0.004		WBGX030101



i = Imperial (in)
m = Metric (mm)
Inserts sold separately

CB203D Versatile Boring Head

Bore Diameter Range: 0.250" - 11.000"



	Boring Range	Connection	Boring Head			Weight	Part No.
			L_1	D_2	D_3		
i	0.250 - 11.000	1½ - 18	5.165	3.000	0.750	4.700 (lbs)	CB203D

NOTICE: Cross hole bars should always be secured in the bar holder with at least two set screws

Imperial (in) = 0.001" adjustment on diameter

NOTE: Max spindle speed: 1,750 RPM at 0 radial offset

A DRILLING
B BORING
C REAMING
D BURNISHING
E THREADING
X SPECIALS

B20: 62 - 63

Key on B20: 1

B20: 50 - 54

B20: 48 - 49

B20: 57 - 59

i = Imperial (in)
m = Metric (mm)

Inserts sold separately

IMPORTANT: Max spindle speed refers to maximum possible speed for individual boring head and is not a recommended parameter. Refer to page B20: 62 for recommended application specific parameters. Factory technical assistance is available for your specific applications through our Application Engineering department.
ext: 7611 | email: appeng@alliedmachine.com

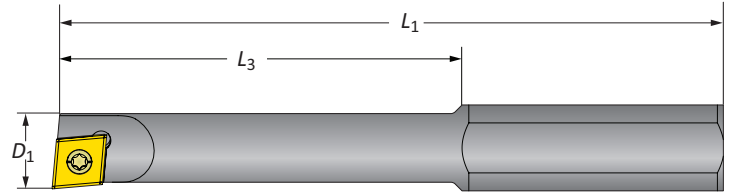
WARNING Exceeding weight capacity for machine tool spindle and tool changer can cause machine damage and/or serious injury. To prevent:

- Refer to page B20: 61 to see formula for calculating weight of tool assembly.
- Consult machine tool builder for machine's weight limitations.

Factory technical assistance is also available for specific applications through our Application Engineering department.

Boring Bars

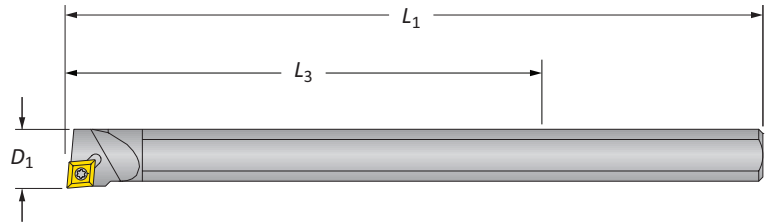
Bore Diameter Range: 0.250" - 5.125"



Steel Boring Bars | Bore Diameter Range: 0.250" - 5.125"

Min. Boring Diameter	Boring Bar				Weight	Insert Form	Part No.
	D_1	L_3	L_1	D_2			
i	0.250	1.062	2.500	0.500*	0.080 (lbs)	WBGX0301..	0250B
	0.312	1.437	2.570	0.500*	0.080 (lbs)	WBGX0301..	0312B
	0.375	1.750	3.062	0.500*	0.100 (lbs)	WBGX0301..	0375B
	0.437	2.062	3.375	0.500*	0.110 (lbs)	CC..215..	0437B
	0.500	2.500	4.250	0.750	0.280 (lbs)	CC..215..	0500D
	0.750	3.000	4.687	0.750	0.430 (lbs)	CC..325..	0750D
	1.000	3.500	5.125	0.750	0.570 (lbs)	CC..325..	1000D
	1.250	4.000	5.562	0.750	0.570 (lbs)	CC..325..	1250D

*Reducing sleeve required



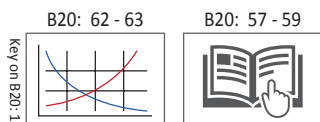
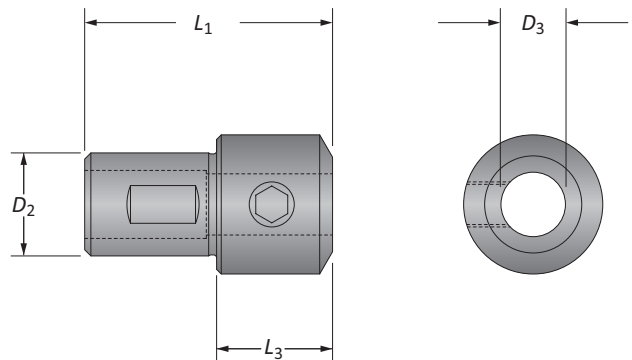
Heavy Metal Boring Bars | Bore Diameter Range: 0.425" - 4.250"

Min. Boring Diameter	Boring Bar				Weight	Insert Form	Part No.
	D_1	L_3	L_1	D_2			
i	0.425	2.250	4.000	0.375*	0.110 (lbs)	CC..215..	0425BHM
	0.550	3.250	6.000	0.500*	0.300 (lbs)	CC..215..	0550BHM
	0.688	4.250	8.000	0.625*	0.630 (lbs)	CC..325..	0688CHM
	0.832	4.750	10.000	0.750	1.150 (lbs)	CC..325..	0832DHM

*Reducing sleeve required

Reducing Sleeves

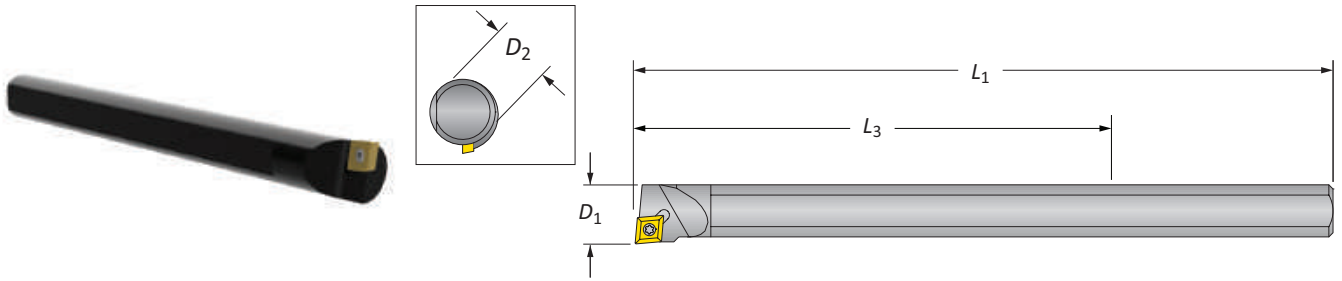
Reducing Sleeve	Reducing Sleeve				Weight	Part No.
	D_3	D_2	L_1	L_3		
i	0.375	0.750	2.406	-	0.190 (lbs)	BTH-03750750
	0.500	0.750	2.406	0.910	0.040 (lbs)	BTH-05000750
	0.625	0.750	1.500	-	0.060 (lbs)	BTH-06250750



i = Imperial (in)
m = Metric (mm)
Inserts sold separately

Carbide Boring Bars

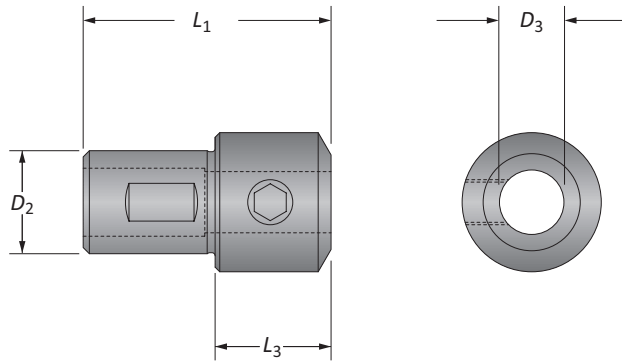
Bore Diameter Range: 0.625" - 4.250"



Carbide Boring Bars

Min. Boring Diameter	Boring Bar				Weight	Insert Form	Part No.
	D_1	L_3	L_1	D_2			
i 0.625	4.500	8.000	0.500*	0.410 (lbs)	CC..215..	0625BCS	
0.875	6.000	10.000	0.750	1.130 (lbs)	CC..325..	0875DCS	

*Reducing sleeve required

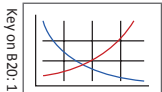


Reducing Sleeve

	Reducing Sleeve				Weight	Part No.
	D_3	D_2	L_1	L_3		
i 0.500	0.750	2.406	0.910	0.040 (lbs)	BTH-05000750	

B20: 62 - 63

B20: 57 - 59

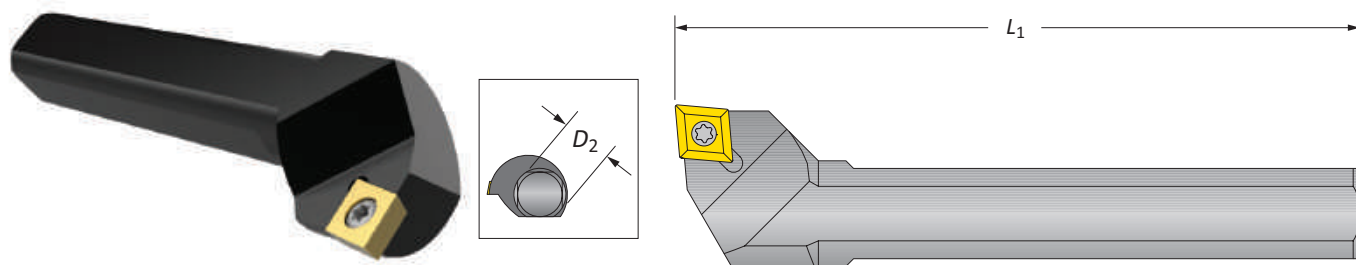


i = Imperial (in)
m = Metric (mm)
 Inserts sold separately

A DRILLING
 B BORING
 C REAMING
 D BURNISHING
 E THREADING
 X SPECIALS

Cross Hole Boring Bar | Boring Inserts

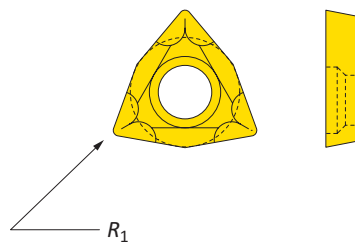
Bore Diameter Range: 4.937" - 11.000"



Cross Hole Boring Bar

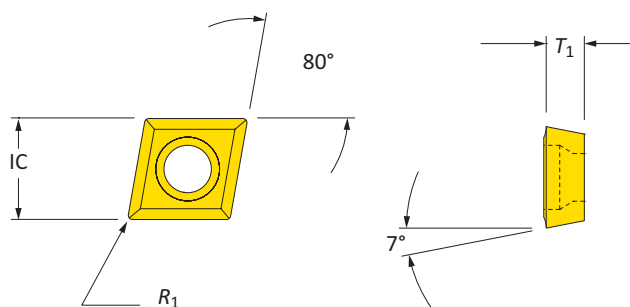
Min. Bore Diameter	Boring Bar*		Weight	Insert Form	Part No.
	L_1	D_2			
i 4.937	4.750	0.750	0.550 (lbs)	CC..325..	0750DCH

*NOTICE: Cross hole bars should always be secured in the bar holder with at least two set screws



Coated Trigon Insert

Insert Form	Insert R_1	Part No.
i WBGX0301...	0.004	WBGX030101

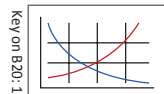


Coated 80° Diamond Inserts

Insert Form	Insert			Part No.
	IC	T_1	R_1	
i CC..215..	0.250	0.094	0.008	CCMT060202
CC..215..	0.250	0.094	0.016	CCMT060204
CC..215..	0.250	0.094	0.031	CCMT060208
CC..325...	0.375	0.156	0.008	CCMT09T302
CC..325..	0.375	0.156	0.016	CCMT09T304
CC..325..	0.375	0.156	0.031	CCMT09T308

B20: 62 - 63

B20: 57 - 59

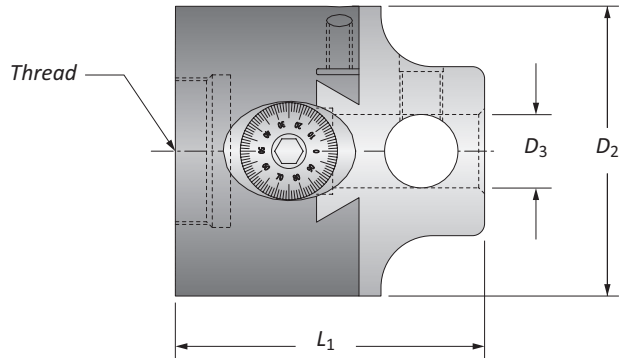


i = Imperial (in)
m = Metric (mm)
 Inserts sold separately

A DRILLING
 B BORING
 C REAMING
 D BURNISHING
 E THREADING
 X SPECIALS

CB204E Versatile Boring Head

Bore Diameter Range: 0.500" - 13.437"



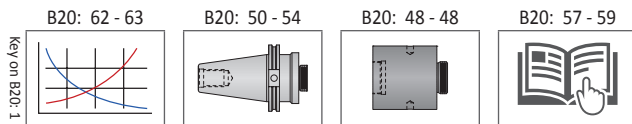
	Boring Range	Connection	Boring Head			Weight	Part No.
			L_1	D_2	D_3		
i	0.500 - 13.437	1½ - 18	3.715	4.000	1.000	9,300 (lbs)	CB204E

NOTICE: Cross hole bars should always be secured in the bar holder with at least two set screws

Imperial (in) = 0.001" adjustment on diameter

NOTE: Max spindle speed: 800 RPM at 0 radial offset

A DRILLING
B BORING
C REAMING
D BURNISHING
E THREADING
X SPECIALS



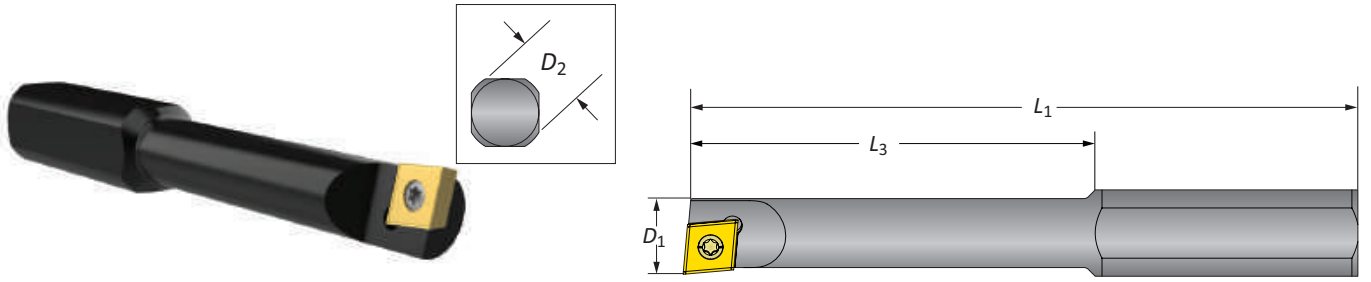
i = Imperial (in)
m = Metric (mm)

IMPORTANT: Max spindle speed refers to maximum possible speed for individual boring head and is not a recommended parameter. Refer to page B20: 62 for recommended application specific parameters. Factory technical assistance is available for your specific applications through our Application Engineering department.
ext: 7611 | email: appeng@alliedmachine.com

WARNING Exceeding weight capacity for machine tool spindle and tool changer can cause machine damage and/or serious injury. To prevent:
- Refer to page B20: 61 to see formula for calculating weight of tool assembly.
- Consult machine tool builder for machine's weight limitations.
Factory technical assistance is also available for specific applications through our Application Engineering department.

Boring Bars

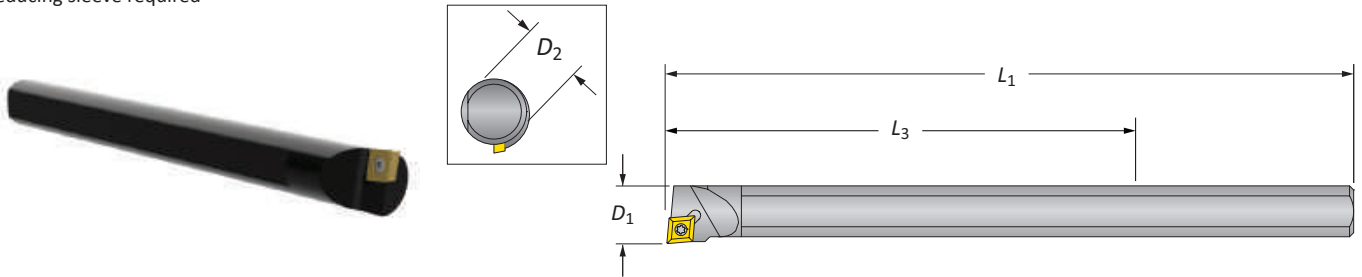
Bore Diameter Range: 0.500" - 5.750"



Steel Boring Bars | Bore Diameter Range: 0.500" - 5.750"

Min. Boring Diameter	Boring Bar				Weight	Insert Form	Part No.
	D_1	L_3	L_1	D_2			
i 0.500	2.500	4.250	0.750*	0.280 (lbs)	CC..215..	0500D	
0.750	3.000	4.687	0.750*	0.430 (lbs)	CC..325..	0750D	
1.000	3.500	5.125	0.750*	0.510 (lbs)	CC..325..	1000D	
1.250	4.000	5.562	0.750*	0.570 (lbs)	CC..325..	1250D	

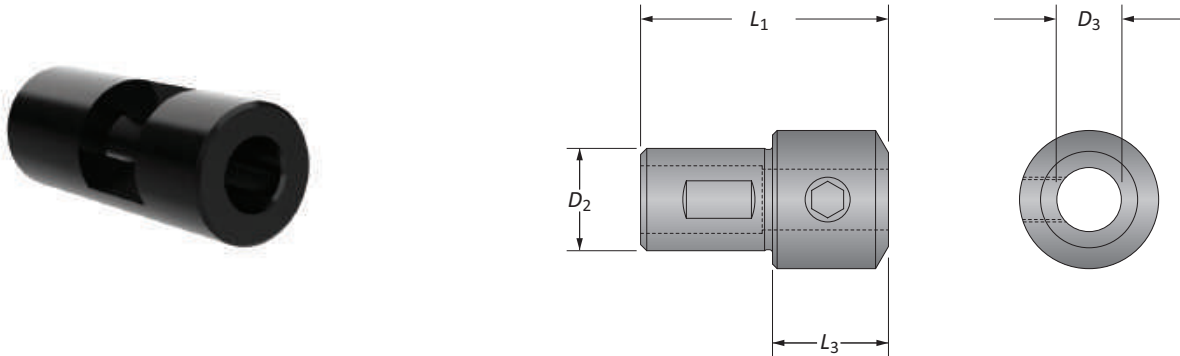
*Reducing sleeve required



Heavy Metal Boring Bar | Bore Diameter Range: 0.832" - 5.125"

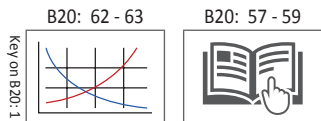
Min. Boring Diameter	Boring Bar				Weight	Insert Form	Part No.
	D_1	L_3	L_1	D_2			
i 0.832	4.750	10.000	0.750*	1.150 (lbs)	CC..325..	0832DHM	

*Reducing sleeve required



Reducing Sleeve

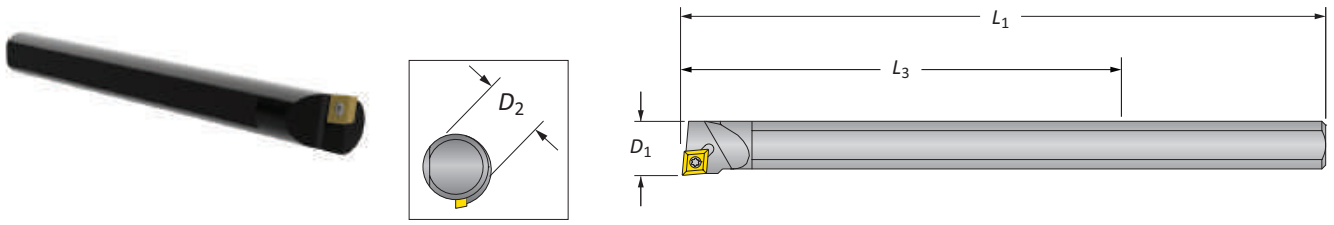
Min. Boring Diameter	Reducing Sleeve				Weight	Part No.
	D_3	D_2	L_1	L_3		
i 0.750	1.000	2.405	1.125	0.400 (lbs)	BTH-07501000	



i = Imperial (in)
m = Metric (mm)
 Inserts sold separately

Boring Bars

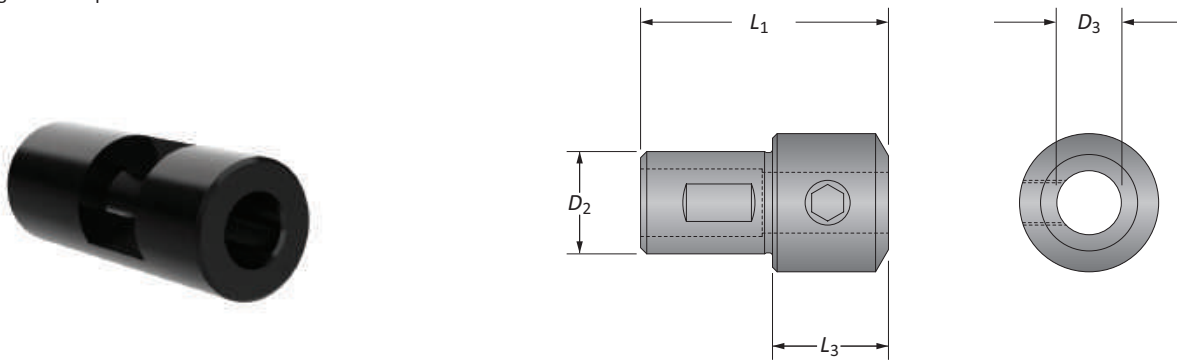
Bore Diameter Range: 0.875" - 5.125"



Carbide Boring Bar

Min. Boring Diameter	Boring Bar				Weight	Insert Form	Part No.
	D_1	L_3	L_1	D_2			
i 0.875	6.000	10.000	0.750*	1.130 (lbs)	CC..325..	0875DCS	

*Reducing sleeve required

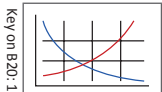


Reducing Sleeve

Min. Boring Diameter	Reducing Sleeve				Weight	Part No.
	D_3	D_2	L_1	L_3		
i 0.750	1.000	2.405	1.125	0.400 (lbs)	BTH-07501000	

B20: 62 - 63

B20: 57 - 59

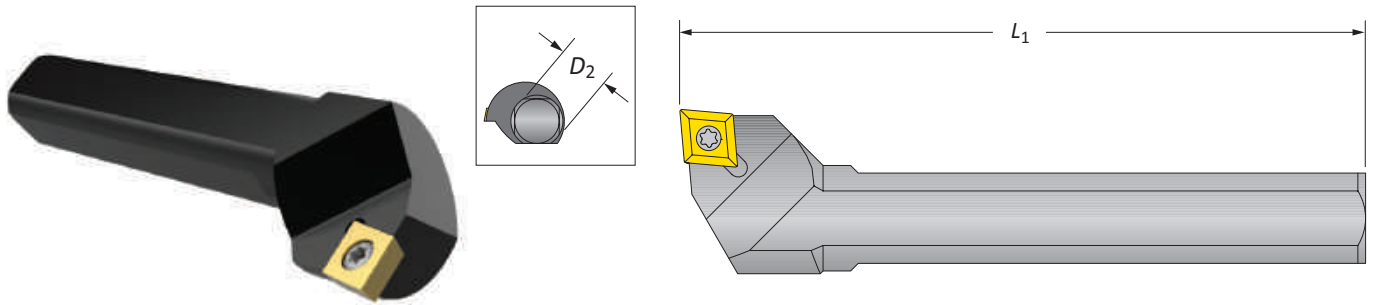


i = Imperial (in)
m = Metric (mm)

Inserts sold separately

Cross Hole Boring Bar | Boring Inserts

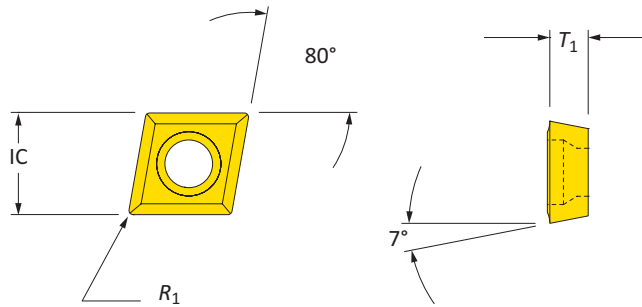
Bore Diameter Range: 5.625" - 13.437"



Cross Hole Boring Bar

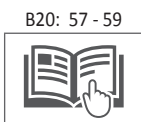
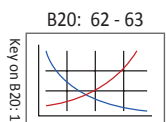
Min Boring Diameter	Boring Bar*		Weight	Insert Form	Part No.
	L_1	D_2			
i 5.625	5.310	1.000	1.020 (lbs)	CC..325..	1000ECH

*NOTICE: Cross hole bars should always be secured in the bar holder with at least two set screws



Coated 80° Diamond Inserts

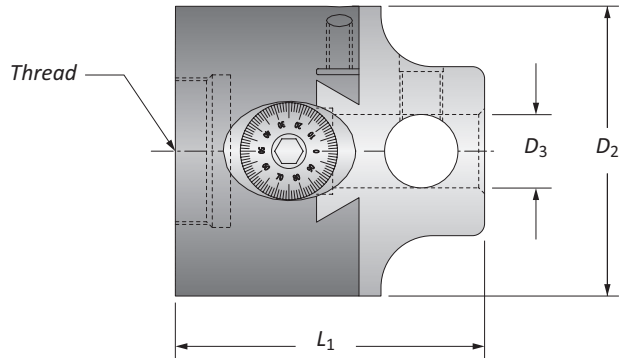
Insert Form	Insert			Part No.
	IC	T_1	R_1	
i CC..215..	0.250	0.094	0.008	CCMT060202
CC..215..	0.250	0.094	0.016	CCMT060204
CC..215..	0.250	0.094	0.031	CCMT060208
CC..325..	0.375	0.156	0.008	CCMT09T302
CC..325..	0.375	0.156	0.016	CCMT09T304
CC..325..	0.375	0.156	0.031	CCMT09T308



i = Imperial (in)
m = Metric (mm)
 Inserts sold separately

CB206F Versatile Boring Head

Bore Diameter Range: 0.500" - 21.500"



	Boring Range	Connection	Boring Head			Weight	Part No.
			L_1	D_2	D_3		
i	0.500 - 21.500	2 ¼ - 10	5.475	6.000	1.500	26.400 (lbs)	CB206F

NOTICE: Cross hole bars should always be secured in the bar holder with at least two set screws

Imperial (in) = 0.001" adjustment on diameter

NOTE: Max spindle speed: 500 RPM at 0 radial offset

A DRILLING
B BORING
C REAMING
D BURNISHING
E THREADING
X SPECIALS

B20: 62 - 63 B20: 50 - 54 B20: 48 - 49 B20: 57 - 59

Key on B20: 1

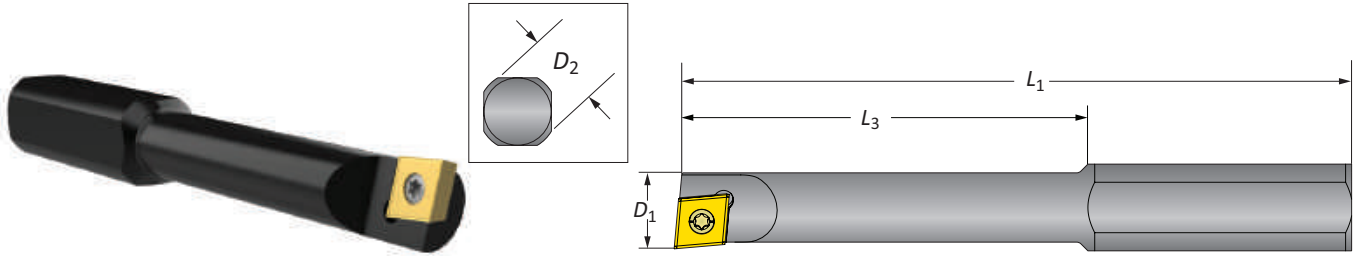
i = Imperial (in)
m = Metric (mm)

IMPORTANT: Max spindle speed refers to maximum possible speed for individual boring head and is not a recommended parameter. Refer to page B20: 62 for recommended application specific parameters. Factory technical assistance is available for your specific applications through our Application Engineering department.
ext: 7611 | email: appeng@alliedmachine.com

WARNING Exceeding weight capacity for machine tool spindle and tool changer can cause machine damage and/or serious injury. To prevent:
- Refer to page B20: 61 to see formula for calculating weight of tool assembly.
- Consult machine tool builder for machine's weight limitations.
Factory technical assistance is also available for specific applications through our Application Engineering department.

Boring Bars

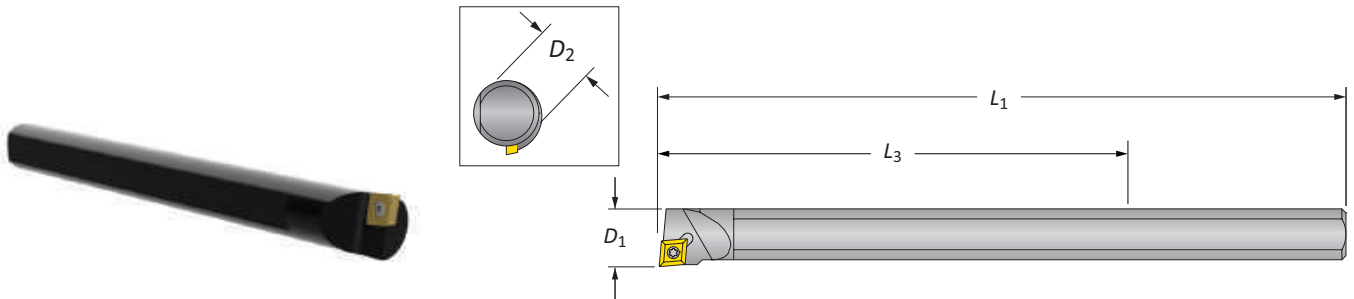
Bore Diameter Range: 0.500" - 9.125"



Steel Boring Bars | Bore Diameter Range: 0.500" - 9.125"

Min. Boring Diameter	Boring Bar				Weight	Insert Form	Part No.
	D_1	L_3	L_1	D_2			
i 0.500	2.500	4.250	0.750*	0.280 (lbs)	CC..215..	0500D	
0.750	3.000	4.687	0.750*	0.430 (lbs)	CC..325..	0750D	
1.000	3.500	5.125	0.750*	0.510 (lbs)	CC..325..	1000D	
1.250	4.000	5.562	0.750*	0.570 (lbs)	CC..325..	1250D	

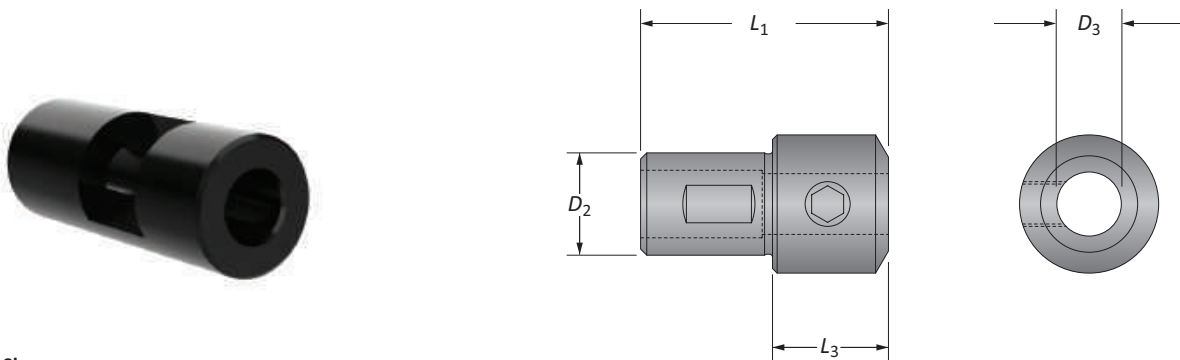
*Reducing sleeve required



Heavy Metal Boring Bar | Bore Diameter Range: 0.832" - 7.125"

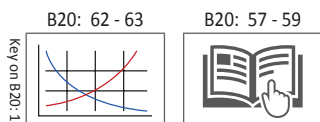
Min. Boring Diameter	Boring Bar				Weight	Insert Form	Part No.
	D_1	L_3	L_1	D_2			
i 0.832	4.750	10.000	0.750*	1.150 (lbs)	CC..325..	0832DHM	

*Reducing sleeve required



Reducing Sleeve

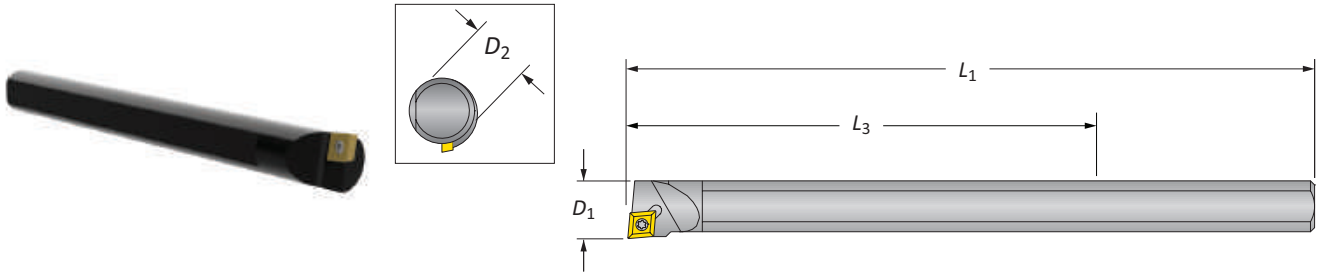
Min. Boring Diameter	Reducing Sleeve				Weight	Part No.
	D_3	D_2	L_1	L_3		
i 0.750	1.500	3.000	1.000	1.400 (lbs)	BTH-07501500	



i = Imperial (in)
m = Metric (mm)
 Inserts sold separately

Carbide Boring Bar

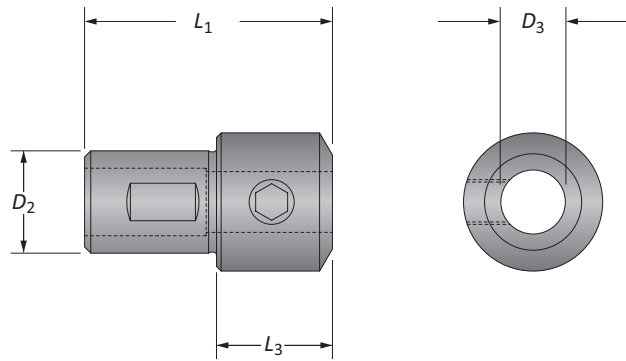
Bore Diameter Range: 0.875" - 7.125"



Carbide Boring Bar

Min. Boring Diameter	Boring Bar			Weight	Insert Form	Part No.
	D_1	L_3	L_1			
i 0.875	6.000	10.000	0.750*	1.130 (lbs)	CC..325..	0875DCS

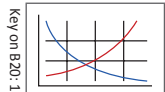
*Reducing sleeve required



Reducing Sleeve

Reducing Sleeve				Weight	Part No.
D_3	D_2	L_1	L_3		
i 0.750	1.500	3.000	1.000	1.400 (lbs)	BTH-07501500

B20: 62 - 63



B20: 57 - 59



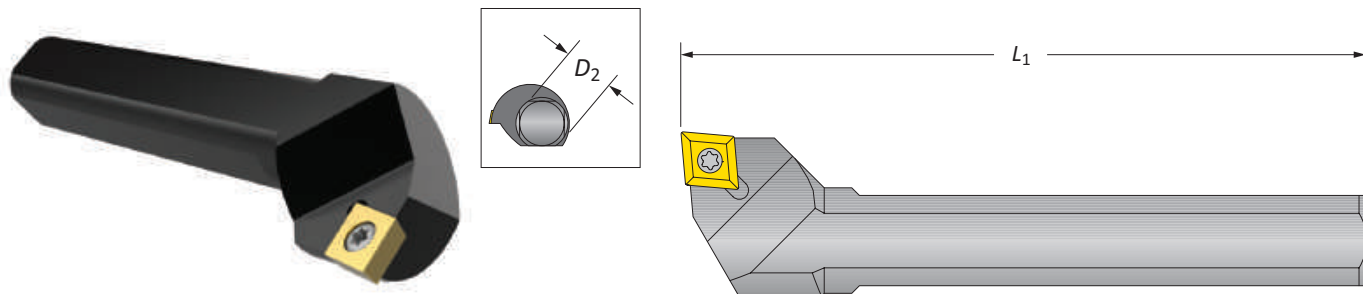
i = Imperial (in)
m = Metric (mm)
 Inserts sold separately

A DRILLING
 B BORING
 C REAMING
 D BURNISHING
 E THREADING
 X SPECIALS



Cross Hole Boring Bar | Boring Inserts

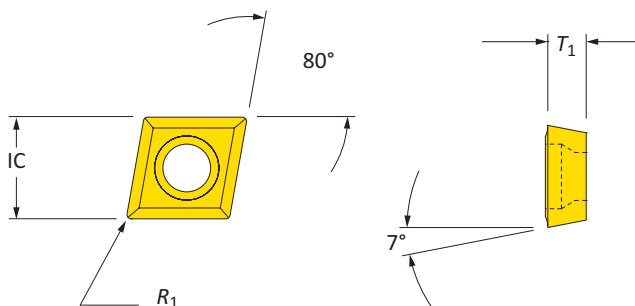
Bore Diameter Range: 9.093" - 21.500"



Cross Hole Boring Bar

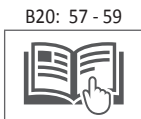
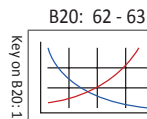
Min. Boring Diameter	Boring Bar*		Weight	Insert Form	Part No.
	L_1	D_2			
i 9.093	9.125	1.500	4.130 (lbs)	CC..43..	1500FCH

*NOTICE: Cross hole bars should always be secured in the bar holder with at least two set screws



Coated 80° Diamond Inserts

Insert Form	Insert			Part No.
	IC	T_1	R_1	
i CC..215..	0.250	0.094	0.008	CCMT060202
CC..215..	0.250	0.091	0.016	CCMT060204
CC..215..	0.250	0.094	0.031	CCMT060208
CC..325..	0.375	0.156	0.008	CCMT09T302
CC..325..	0.375	0.156	0.016	CCMT09T304
CC..325..	0.375	0.156	0.031	CCMT09T308
CC..43..	0.500	0.188	0.031	CCMT120408

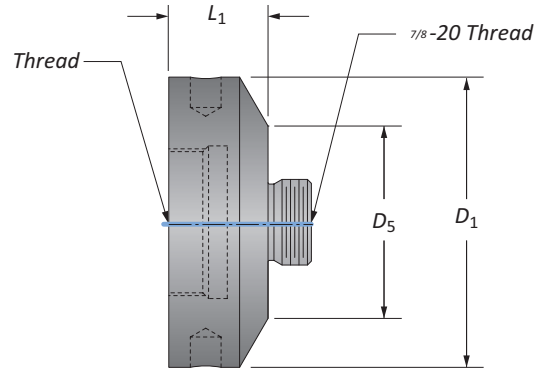


i = Imperial (in)
m = Metric (mm)
 Inserts sold separately

A DRILLING
 B BORING
 C REAMING
 D BURNISHING
 E THREADING
 X SPECIALS

Intermediate Modules

Reducers



Reducer					
D_1	D_5	L_1	Weight	Thread	Part No.
1.500	1.000	1.000	0.440 (lbs)	$7/8 - 20$	CB1500-IRCB1000
1.500	1.250	1.000	0.450 (lbs)	$7/8 - 20$	CB1500-IRCB1250
2.000	1.000	1.000	0.720 (lbs)	$7/8 - 20$	CB2000-IRCB1000
2.000	1.250	1.000	0.760 (lbs)	$7/8 - 20$	CB2000-IRCB1250
i 2.000	1.500	1.000	0.800 (lbs)	$7/8 - 20$	CB2000-IRCB1500
3.000	1.000	1.250	1.610 (lbs)	$1\frac{1}{2} - 18$	CB3000-IRCB1000
3.000	1.250	1.250	1.750 (lbs)	$1\frac{1}{2} - 18$	CB3000-IRCB1250
3.000	1.500	1.250	1.840 (lbs)	$1\frac{1}{2} - 18$	CB3000-IRCB1500
3.000	2.000	1.250	2.020 (lbs)	$1\frac{1}{2} - 18$	CB3000-IRCB2000

A DRILLING

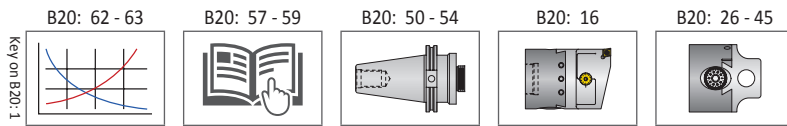
B BORING

C REAMING

D BURNISHING

F THREADING

X SPECIALS



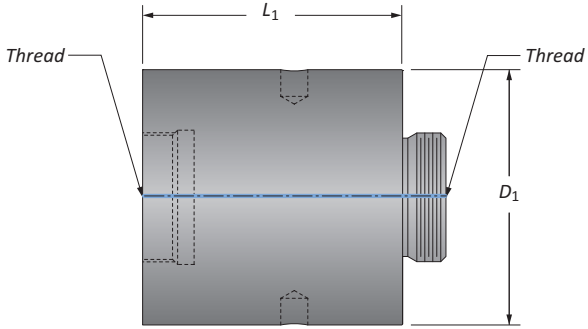
i = Imperial (in)
m = Metric (mm)

⚠ WARNING Exceeding weight capacity for machine tool spindle and tool changer can cause machine damage and/or serious injury. To prevent:
 - Refer to page B20: 61 to see formula for calculating weight of tool assembly.
 - Consult machine tool builder for machine's weight limitations.
 Factory technical assistance is also available for specific applications through our Application Engineering department. ext: 7611 | email: appeng@alliedmachine.com

⚠ WARNING Tool failure can cause serious injury. To prevent:
 - Do not exceed recommended 9xD length to diameter ratio or exceed 4 total components (including shank)
 - Refer to example on page B20: 60 for calculating length to diameter ratio
 Factory technical assistance is available for your specific applications through our Application Engineering department.

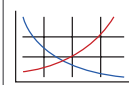
Intermediate Modules


Extensions

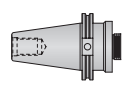


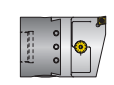
Extension				
D_1	L_1	Weight	Thread	Part No.
1.000	1.000	0.190 (lbs)	3/8 - 20	CB1000-IA1000
1.000	2.000	0.390 (lbs)	3/8 - 20	CB1000-IA2000
1.250	1.250	0.390 (lbs)	3/8 - 20	CB1250-IA1250
1.250	2.500	0.800 (lbs)	3/8 - 20	CB1250-IA2500
1.500	1.500	0.700 (lbs)	3/8 - 20	CB1500-IA1500
1.500	3.000	1.410 (lbs)	3/8 - 20	CB1500-IA3000
2.000	2.000	1.660 (lbs)	3/8 - 20	CB2000-IA2000
2.000	4.000	3.350 (lbs)	3/8 - 20	CB2000-IA4000
3.000	3.000	5.730 (lbs)	1 1/2 - 18	CB3000-IA3000
3.000	6.000	11.500 (lbs)	1 1/2 - 18	CB3000-IA6000


i

B20: 62 - 63 

B20: 57 - 59 

B20: 50 - 54 

B20: 16 

B20: 26 - 45 

Key on B20: 1

i = Imperial (in)
m = Metric (mm)

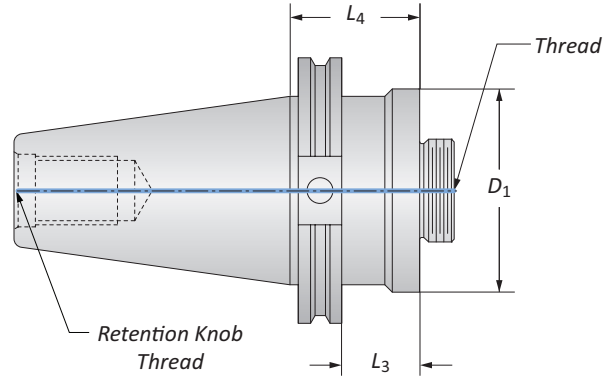
WARNING Exceeding weight capacity for machine tool spindle and tool changer can cause machine damage and/or serious injury. To prevent:
 - Refer to page B20: 61 to see formula for calculating weight of tool assembly.
 - Consult machine tool builder for machine's weight limitations.
 Factory technical assistance is also available for specific applications through our Application Engineering department. ext: 7611 | email: appeng@alliedmachine.com

WARNING Tool failure can cause serious injury. To prevent:
 - Do not exceed recommended 9xD length to diameter ratio or exceed 4 total components (including shank)
 - Refer to example on page B20: 60 for calculating length to diameter ratio
 Factory technical assistance is available for your specific applications through our Application Engineering department.

A DRILLING
 B BORING
 C REAMING
 D BURNISHING
 E THREADING
 X SPECIALS

Criterion Master Shanks

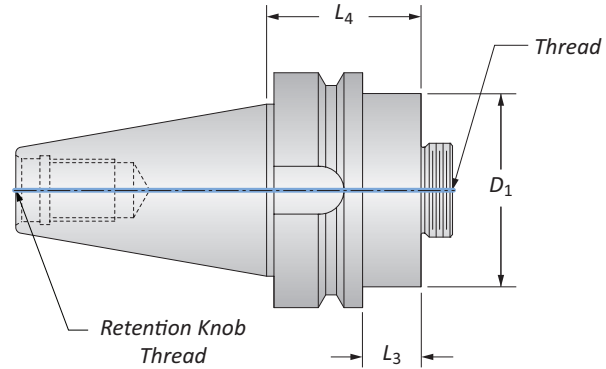
CAT 40/50 | BT Flange



CAT 40/50 Shanks

Style	D ₁	L ₃	Shank				Retention Knob Thread	Part No.
			L ₄	Weight	Thread			
CAT40	1.500	0.370	1.770	2.490 (lbs)	7/8 - 20	7/8 - 11	CB1500-CV40	
CAT40	2.000	1.130	1.880	2.700 (lbs)	7/8 - 20	7/8 - 11	CB2000-CV40	
CAT40	2.500	1.130	1.880	3.120 (lbs)	1 1/2 - 18	7/8 - 11	CB2500-CV40	
CAT40	3.000	1.180	1.880	3.410 (lbs)	1 1/2 - 18	7/8 - 11	CB3000-CV40	
i CAT50	1.500	0.370	1.770	7.120 (lbs)	7/8 - 20	1 - 8	CB1500-CV50	
CAT50	2.000	1.130	1.880	7.330 (lbs)	7/8 - 20	1 - 8	CB2000-CV50	
CAT50	2.500	1.130	1.880	7.740 (lbs)	1 1/2 - 18	1 - 8	CB2500-CV50	
CAT50	3.000	1.130	1.880	8.030 (lbs)	1 1/2 - 18	1 - 8	CB3000-CV50	
CAT50	3.380	1.380	2.130	9.440 (lbs)	2 1/4 - 10	1 - 8	CB6000-CV50	

NOTE: Taper ground to AT3 tolerance



BT Flange Shanks

Style	D ₁	L ₃	Shank				Retention Knob Thread	Part No.
			L ₄	Weight	Thread			
BT30	1.500	0.900	1.770	1.360 (lbs)	7/8 - 20	M12 x 1.75	CB1500-BT30	
BT40	1.500	0.710	1.770	2.540 (lbs)	7/8 - 20	M16 x 2	CB1500-BT40	
BT40	2.000	0.500	1.560	2.620 (lbs)	7/8 - 20	M16 x 2	CB2000-BT40	
BT40	2.500	0.870	2.060	3.690 (lbs)	1 1/2 - 18	M16 x 2	CB2500-BT40	
i BT40	3.000	1.000	2.060	3.980 (lbs)	1 1/2 - 18	M16 x 2	CB3000-BT40	
BT50	1.500	0.270	1.770	8.220 (lbs)	7/8 - 20	M24 x 3	CB1500-BT50	
BT50	2.000	0.060	1.560	8.250 (lbs)	7/8 - 20	M24 x 3	CB2000-BT50	
BT50	3.000	0.500	2.060	9.410 (lbs)	1 1/2 - 18	M24 x 3	CB3000-BT50	
BT50	3.380	0.630	2.130	10.500 (lbs)	2 1/4 - 10	M24 x 3	CB6000-BT50	

NOTE: Taper ground to AT3 tolerance

X SPECIALS

B20: 62 - 63

B20: 57 - 59

B20: 48 - 49

B20: 16

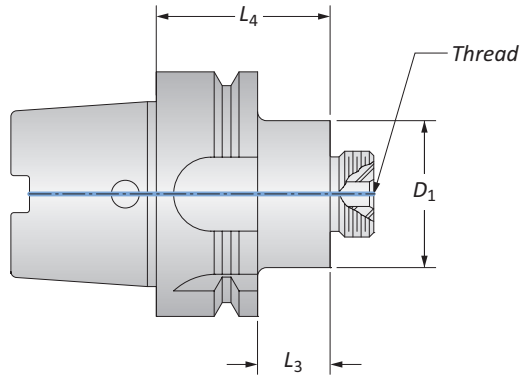
B20: 26 - 45

Key on B20: 1

i = Imperial (in)
m = Metric (mm)

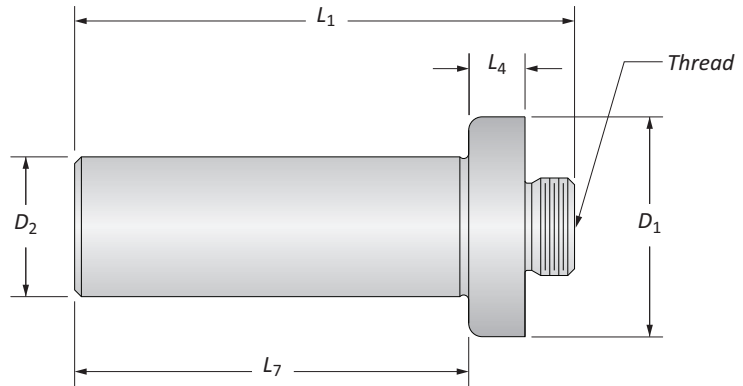
Criterion Master Shanks

HSK | Straight Shank



HSK Shanks

Style	D ₁	Shank			Weight	Thread	Part No.
		L ₃	L ₄				
i	HSK63	1.500	0.730	1.750	1.820 (lbs)	7/8 - 20	CB1500-HSK63A
	HSK63	2.000	0.730	1.750	2.090 (lbs)	7/8 - 20	CB2000-HSK63A
	HSK63	3.000	0.500	2.150	3.200 (lbs)	1 1/2 - 18	CB3000-HSK63A
	HSK100	1.500	0.500	2.270	6.300 (lbs)	7/8 - 20	CB1500-HSK100A
	HSK100	2.000	0.500	2.270	6.470 (lbs)	7/8 - 20	CB2000-HSK100A
	HSK100	3.000	0.500	2.270	7.180 (lbs)	1 1/2 - 18	CB3000-HSK100A



Straight Shanks

D ₁	D ₂	Shank			Weight	Thread	Part No.	
		L ₄	L ₇	L ₁				
i	1.110	0.500	0.250	2.000	2.690	0.240 (lbs)	7/8 - 20	SS0500-087520
	1.110	0.625	0.250	2.370	3.060	0.340 (lbs)	7/8 - 20	SS0625-087520
	1.110	0.750	0.250	2.750	3.440	0.480 (lbs)	7/8 - 20	SS0750-087520
	1.110	1.000	0.250	3.120	3.810	0.820 (lbs)	7/8 - 20	SS1000-087520
	1.860	0.750	0.250	3.120	3.870	0.810 (lbs)	1 1/2 - 18	SS0750-150018
	1.860	1.000	0.250	3.120	3.870	1.110 (lbs)	1 1/2 - 18	SS1000-150018
	1.860	1.250	0.250	3.880	4.630	1.760 (lbs)	1 1/2 - 18	SS1250-150018
	1.860	1.500	0.250	4.630	5.380	2.720 (lbs)	1 1/2 - 18	SS1500-150018
	2.000	2.000	-	6.380	6.880	5.850 (lbs)	1 1/2 - 18	SS2000-150018

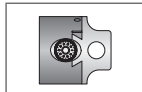
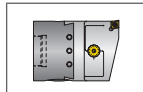
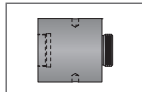
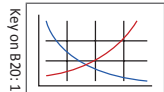
B20: 62 - 63

B20: 57 - 59

B20: 48 - 49

B20: 16

B20: 26 - 45

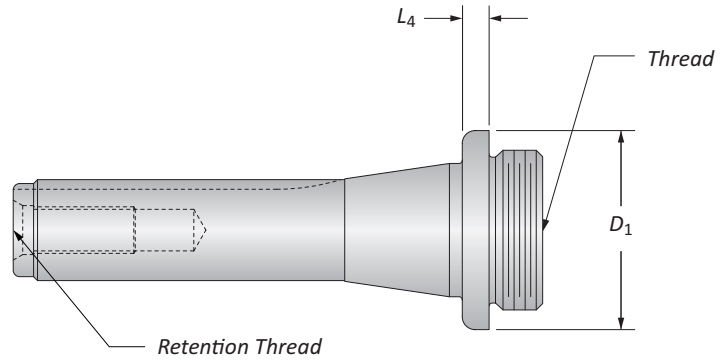


i = Imperial (in)
m = Metric (mm)

A DRILLING
B BORING
C REAMING
D BURNISHING
E THREADING
X SPECIALS

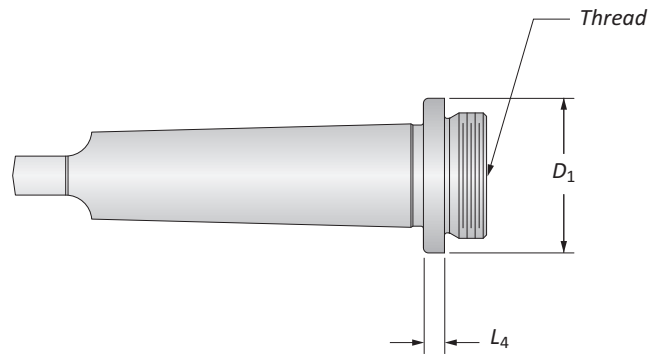
Criterion Shanks

R-8 | Morse Taper



R-8 Shanks

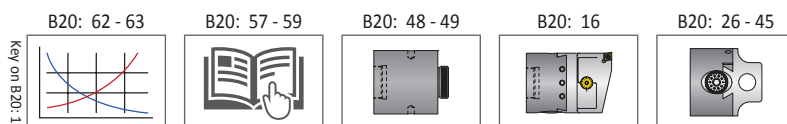
	Shank					
	D_1	L_4	Weight	Thread	Retention Thread	Part No.
i	1.110	0.470	0.990 (lbs)	$\frac{7}{8}$ - 20	$\frac{7}{16}$ - 20	R8-087520
	1.860	0.370	1.270 (lbs)	1- $\frac{1}{2}$ - 18	$\frac{7}{16}$ - 20	R8-150018



Morse Taper Shanks

	Shank					
	Style	D_1	L_4	Weight	Thread	Part No.
	2 Taper	1.110	0.250	0.380 (lbs)	$\frac{7}{8}$ - 20	MT2-375THD87520*
	2 Taper	1.110	0.250	0.390 (lbs)	$\frac{7}{8}$ - 20	MT2-087520
	3 Taper	1.110	0.250	0.710 (lbs)	$\frac{7}{8}$ - 20	MT3-087520
i	3 Taper	1.860	0.250	1.000 (lbs)	1- $\frac{1}{2}$ - 18	MT3-150018
	4 Taper	1.230	0.250	1.350 (lbs)	$\frac{7}{8}$ - 20	MT4-087520
	4 Taper	1.860	0.250	1.700 (lbs)	1- $\frac{1}{2}$ - 18	MT4-150018
	5 Taper	1.860	0.250	3.770 (lbs)	1- $\frac{1}{2}$ - 18	MT5-150018

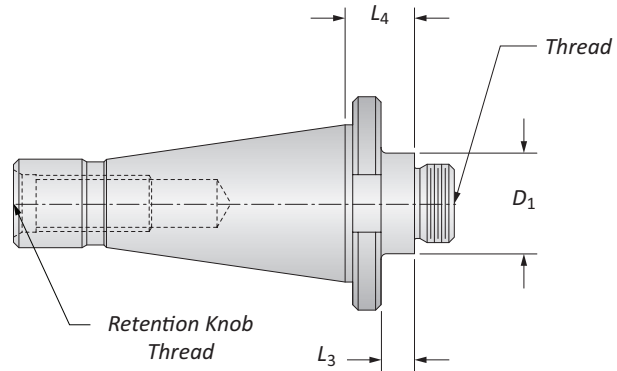
*Item features a $\frac{3}{8}$ - 16 thread instead of tang



i = Imperial (in)
m = Metric (mm)

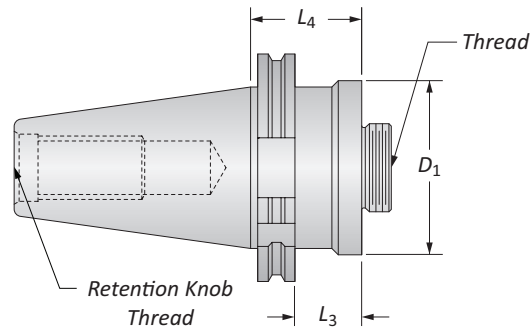
Criterion Master Shanks

NMTB Taper | DIN69871A



NMTB Taper Shanks

Style	D_1	L_3	L_4	Shank			Part No.
				Weight	Thread	Retention Thread	
NMTB 30	1.120	0.370	0.790	0.810 (lbs)	$\frac{7}{8}$ - 20	$\frac{1}{2}$ - 13	NMTB30-087520
NMTB 30	1.850	0.630	1.050	1.190 (lbs)	$1\frac{1}{2}$ - 18	$\frac{1}{2}$ - 13	NMTB30-150018
NMTB 40	1.120	0.370	0.770	1.780 (lbs)	$\frac{7}{8}$ - 20	$\frac{5}{8}$ - 11	NMTB40-087520
NMTB 40	1.850	0.630	1.020	2.310 (lbs)	$1\frac{1}{2}$ - 18	$\frac{5}{8}$ - 11	NMTB40-150018
NMTB 50	1.970	0.510	1.250	6.750 (lbs)	$\frac{7}{8}$ - 20	1 - 8	NMTB50-087520
NMTB 50	1.870	0.400	1.210	6.870 (lbs)	$1\frac{1}{2}$ - 18	1 - 8	NMTB50-150018
NMTB 50	3.380	0.500	1.250	8.320 (lbs)	$2\frac{1}{4}$ - 10	1 - 8	NMTB50-225010



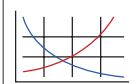
DIN 69871A

D_1	L_3	L_4	Shank			Part No.
			Weight	Thread	Retention Thread	
38.00	19.00	38.40	1.18 (kg)	$\frac{7}{8}$ - 20	M16 x 2.0	CB038M-DIN40
50.00	22.00	41.50	1.18 (kg)	$\frac{7}{8}$ - 20	M16 x 2.0	CB050M-DIN40
76.00	45.00	48.00	1.68 (kg)	$1\frac{1}{2}$ - 18	M16 x 2.0	CB076M-DIN40
38.00	19.00	38.40	3.36 (kg)	$\frac{7}{8}$ - 20	M24 x 3.0	CB038M-DIN50
50.00	22.00	41.50	3.45 (kg)	$\frac{7}{8}$ - 20	M24 x 3.0	CB050M-DIN50
76.00	22.00	48.00	3.66 (kg)	$1\frac{1}{2}$ - 18	M24 x 3.0	CB076M-DIN50


NOTE: Taper ground to AT3 tolerance

Key on B20-1

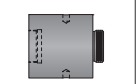
B20: 62 - 63



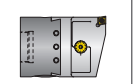
B20: 57 - 59



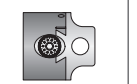
B20: 48 - 49



B20: 16



B20: 26 - 45

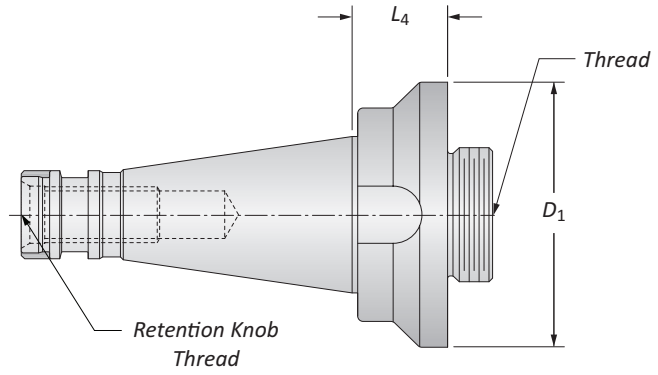


i = Imperial (in)
m = Metric (mm)

A DRILLING
 B BORING
 C REAMING
 D BURNISHING
 E THREADING
 X SPECIALS

Criterion Shanks

DIN 2080



DIN 2080

		Shank					Part No.	
		D_1	L_3	L_4	Weight	Thread	Retention Thread	
m		50.00	17.00	25.70	0.45 (kg)	$\frac{7}{8}$ - 20	M12	CB050M-ISO30
		50.00	11.00	27.70	0.91 (kg)	$\frac{7}{8}$ - 20	M16	CB050M-ISO40
		76.00	22.00	27.70	1.32 (kg)	1½ - 18	M16	CB076M-ISO40
		50.00	11.00	39.40	2.88 (kg)	$\frac{7}{8}$ - 20	M24	CB038M-ISO50
		76.00	36.00	39.40	3.36 (kg)	1½ - 18	M24	CB076M-ISO50

A
DRILLING
B
BORING
C
REAMING
D
BURNISHING
E
THREADING
X
SPECIALS

Key on B20: 1

B20: 62 - 63

B20: 57 - 59

B20: 48 - 49

B20: 16



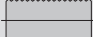

B20: 26 - 45

i = Imperial (in)
m = Metric (mm)



Criterion Accessories

Insert Screws | Drivers | Pin Spanner Wrenches

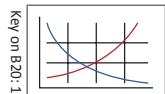
Insert Screws & Drivers

 Insert Form	 Part No.	 Thread	 Part No.	Technical Information	
				Torque Specs	Key Size
WBGX0301..	215377	M2x4	115537	0.6 (Nm)	T6
CC..215.. CC..0602..	115676	M2.5x5	115590	1.2 (Nm)	T8
CC..32500 CC..09T3 (<Ø37mm)	115672	M3.5x7.5	115664	3.0 (Nm)	T15
CC..32500 CC..09T3 (<Ø36mm)	115673	M3.5x9	115664	3.0 (Nm)	T15
CC..43.. CC..1204..	215149	M4.5x11.5	215150	5.0 (Nm)	T20
TC..215.. TC..1102..	115676	M2.5x5	115590	1.2 (Nm)	T8
TC..325.. TC..16T3	115673	M3.5x9	115664	3.0 (Nm)	T15

Pin Spanner Wrenches

 Body Diameter	 Part No.
1.000" (25.00mm)	CB1000-PSW
1.250" (32.00mm)	CB1250-PSW
1.500" (38.00mm)	CB1500-PSW
2.000" (38.00mm)	CB2000-PSW
2.500" (63.50mm)	CB2500-PSW
3.000" (76.00mm)	CB3000-PSW
4.000" (101.00mm)	CB4000-PSW

B20: 62 - 63



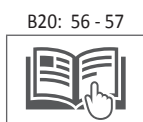
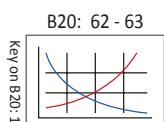
B20: 56 - 57



A DRILLING
B BORING
C REAMING
D BURNISHING
E THREADING
X SPECIALS

Criterion Hardware Kits

Corresponding Boring Head Item Number	Hardware Kit Part No.
CBR-0625CP, CBR-0628TP, CBR-0625SG, CBS-0625CP, CBS-0625TP, CBS-0625SG, CBER16S-SG, CBR16-SG, CBER20S-SG, CBER20-SG, CBER16MS-CP, CBR16M-CP, CBER16MS-TP, CBR16M-TP, CBER20MS-CP, CBER20M-CP, CBER20MS-TP, CBER20M-TP, CBER16S-CP, CBR16-CP, CBER16S-TP, CBR16-TP, CBER20S-CP, CBER20-CP, CBER20S-TP, CBER20-TP	CB0625-HDW
CBS-0750CP, CBS-0750TP, CBS-0750SH, CBR-0750CP, CBR-0750TP, CBR-0750SH, CBER25S-SH, CBER25-SH, CBER25S-CP, CBER25-CP, CBER25S-TP, CBER25-TP, CBER25-TP, CBER25MS-CP, CBER25M-CP, CBER25MS-TP	CB0750-HDW
TMT-0750H, TMT-1000H	TMT0750-HDW
CB1000CC, CB1000TC CBS-1000CP, CBS-1000TP, CBS-1000CPMA, CBS-1000TPMA, CBS-1000SA, CBR-1000CP, CBR-1000TP, CBR-1000CPMA, CBR-1000TPMA, CBR-1000SA, CBER32S-CPMA, CBER32-CPMA, CBER32S-TPMA, CBER32-TPMA, CBER32MS-CPMA, CBER32M-CPMA, CBER32MS-TPMA, CBER32M-TPMA, CBER32S-SA, CBER32-SA, CBER32S-CP, CBER32-CP, CBER32S-TP, CBER32-TP, CBER32MS-CP, CBER32M-CP, CBER32MS-TP, CBER32M-TP, CB1000-TPMA, CB1000-CPMA, CB1000-TP, CB1000-CP	CB1000-HDW
CT1000-0, CT1000-1, CT1000-2	CT1000-HDW
CB025MCC, CB025MTC, CB025M-TPMA, CB025M-CPMA, CB025M-TP, CB025M-CP	CB025M-HDW
CT025M-0, CT025M-1, CT025M-2	CT025M-HDW
CBS1250B, CB1250CC, CB1250TC, CBS-1250CP, CBS-1250TP, CBS-1250CPMA, CBS-1250TPMA, CBS-1250SB, CBR-1250CP, CBR-1250TP, CBR-1250CPMA, CBR-1250TPMA, CBR-1250SB, CBER40S-CPMA, CBER40-CPMA, CBER40S-TPMA, CBER40-TPMA, CBER40S-CPMA, CBER40M-CPMA, CBER40MS-TPMA, CBER40M-TPMA, CBER40S-SB, CBER40-SB, CBER40S-CP, CBER40-CP, CBER40S-TP, CBER40-TP, CBER40MS-CP, CBER40M-CP, CBER40MS-TP, CBER40M-TP, CB1250-TPMA, CB1250-CPMA, CB1250-TP, CB1250-CP	CB1250-HDW
CT1250-0, CT1250-1, CT1250-2	CT1250-HDW
CB032MCC, CB032MTC, CB032M-TPMA, CB032M-CPMA, CB032M-TP, CBO32M-CP	CB032M-HDW
CT032M-0, CT032M-1, CT032M-2	CT032M-HDW
MBS0500B, CB1500CC, CB1500TC, MB002-500, MB002-625, MB002-750, MB152-500, MB152-625, MB152-750, CB-2375A, CB-1500B, CB-1500AMA, CB1500-TPMA, CB1500-CPMA, CB1500-TP, CB1500-CP	CB1500-HDW
CT1500-0, CT1500-1, CT1500-2	CT1500-HDW
SQ-1500B	S1500-HDW
CB038MCC, CB038MTC, CB-038MA, CB-038MB, CB038M-TPMA, CB038M-CPMA, CB038M-TP, CB038M-CP	CB038-HDW
CT038M-0, CT038M-1, CT038-2	CT038M-HDW
SQ-2000B	S2000-HDW
CB2000CC, CB2000TC, CB202B, CB2500BMA CSL-202, CB-202A, CB-202B, CB-2500BMA, CB2000-TPMA, CB2000-CPMA, CB050M-TP, CB050M-CP	CB2000-HDW
CT2000-0, CT2000-1, CT2000-2	CT2000-HDW
CB050MCC, CB050MTC, CB-050MA, CB-050MB, CB-064MBMA, CB050M-TPMA, CB050M-TPMA, CB050M-TPMA, CB050M-CPMA, CB050M-TP, CP050M-CP	CB050M-HDW
CT050M-0, CT050M-1, CT050M-2	CT050M-HDW
SQ-3000D, SQ-3000E	S3000-HDW
CB3000CC, CB3000TC, CB203D, CSL-203, CB-203D, CB-3000DMA, CB3000-TPMA, CB3000-CPMA, CB3000-TP, CB3000-CP	CB3000-HDW
CT3000-0, CT3000-1, CT3000-2	CT3000-HDW
CB076MCC, CB076MTC, CB-076MD, CB-076MDMA, CB076M-TPMA, CB076M-CPMA, CBO76M-TP, CB076M-CP	CB076M-HDW
CT076M-0, CT076M-1, CT076M-2	CT076M-HDW
CB204E, CSL-204, CB-204E, CB4000-TP, CB4000-TP, CB4000-TP, CB4000-CP	CB4000-HDW
CB-101ME, CB101M-TP, CB101-CP	CB101M-HDW
CB206F, CB-206F	CB6000-HDW



Setup Instructions | Standard Adjusting Boring Heads

Adjusting Standard Adjusting Boring Heads (see figure B1)

1. Loosen locking screw (6).
2. Turn dial screw (3) to desired graduation.
3. Tighten locking screw (6) to proper torque spec (laser marked on tool).

IMPORTANT: Do not loosen the gib screws (5). It can cause poor performance.

NOTE: To machine smaller bore diameters, turn dial screw (3) counterclockwise one full rotation to remove any backlash. Once backlash is mitigated, turn dial screw (3) clockwise to desired graduation.

No.	Part
1	Bar holder
2	Boring head body
3	Dial screw
4	Bar holder set screws
5	Gib screws (DO NOT ADJUST)
6	Locking screw

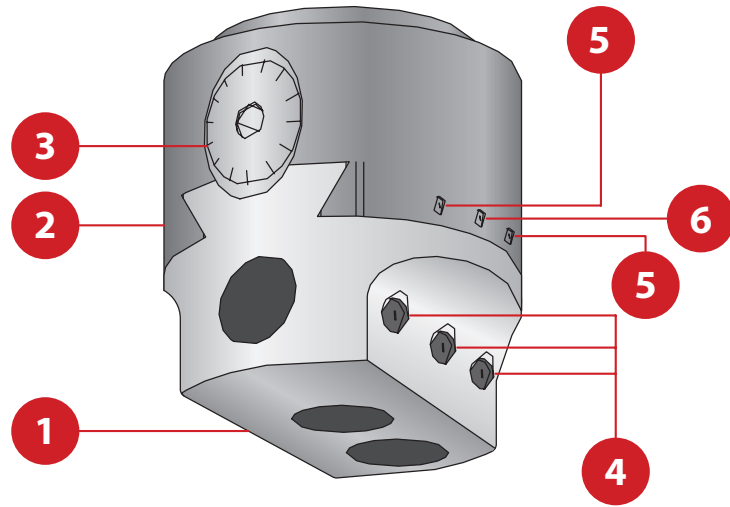
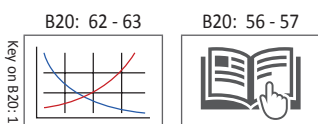


Figure B1



Setup Instructions | Micro Adjusting Boring Heads

Adjusting Micro Adjusting Setting Boring Heads (see figure B2)

1. Loosen locking screw (6).
2. Turn dial screw (3) to desired graduation to make macro adjustment.
3. Tighten locking screw (6) to proper torque spec (laser marked on tool).
4. Turn micro adjusting dial screw (4) clockwise to desired graduation to make micro adjustment. Locking of micro adjustment dial screw (4) is not required.

IMPORTANT: Do not loosen the gib screws (5). It can cause poor performance.

NOTE: To machine smaller bore diameter, turn dial (3) counterclockwise one full rotation to remove any backlash. Once backlash is mitigated, turn dial screw (3) clockwise to desired graduation.

NOTE: The micro adjusting dial screws only have a total range of 0.006" (0.152mm) on diameter. To zero, turn dial (4) clockwise until dial screw bottoms out. Turn the dial (4) two complete turns counterclockwise. Turn dial (4) one half turn clockwise. Dial is now centered for 0.003" (0.076mm) positive or negative travel.

No.	Part
1	Insert holder
2	Boring head body
3	Dial screw
4	Micro adjusting dial screw
5	Gib screws (DO NOT ADJUST)
6	Locking screw

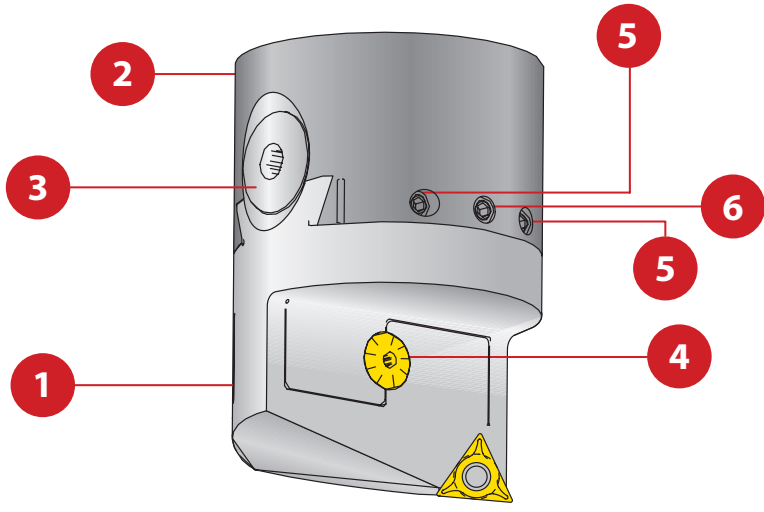
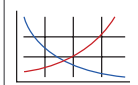



Figure B2

B20: 62 - 63



B20: 56 - 57



Key on B20-1

A DRILLING
 B BORING
 C REAMING
 D BURNISHING
 E THREADING
 X SPECIALS

Technical Information

A
DRILLING

B
BORING

C
REAMING

D
BURNISHING

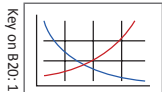
E
THREADING

X
SPECIALS

Assembly Item Number	Lock Screw	Torque Specs				Insert Torx Screw Driver Size
		Locking Screw Allen Key Size	Dial Adjust Allen Key Size	Micro Adjusting Dial Allen Key Size	Clamping Screw Allen Key Size	
MBS0500B	1.4 (Nm)	5/64	5/32	-	1/8	-
CBS1250B	0.7 (Nm)	1/16	5/32	-	1/8	-
MDS0625	1.4 (Nm)	9/64	7/64	-	-	T8
MDS0750	1.5 (Nm)	5/32	7/64	-	-	T15
MDS16M	1.4 (Nm)	2.5mm	2.5mm	-	-	T8
MDS20M	1.5 (Nm)	3.0mm	2.5mm	-	-	T15
CB1000CC	0.6 (Nm)	0.050	5/32	3/32	-	T8
CB1000TC	0.6 (Nm)	0.050	5/32	3/32	-	T8
CB1250CC	0.7 (Nm)	1/16	5/32	3/32	-	T8
CB1250TC	0.7 (Nm)	1/16	5/32	3/32	-	T8
CB1500CC	1.4 (Nm)	5/64	5/32	7/64	-	T15
CB1500TC	1.4 (Nm)	5/64	5/32	7/64	-	T15
CB2000CC	2.3 (Nm)	3/32	5/32	7/64	-	T15
CB2000TC	2.3 (Nm)	3/32	5/32	7/64	-	T15
CB3000CC	5.3 (Nm)	1/8	1/4	7/64	-	T15
CB3000TC	5.3 (Nm)	1/8	1/4	7/64	-	T15
CB025MCC	0.6 (Nm)	1.5mm	4.0mm	2.5mm	-	T8
CB025MTC	0.6 (Nm)	1.5mm	4.0mm	2.5mm	-	T8
CB032MCC	0.7 (Nm)	2.0mm	4.0mm	2.5mm	-	T8
CB032MTC	0.7 (Nm)	2.0mm	4.0mm	2.5mm	-	T8
CB038MCC	1.4 (Nm)	2.0mm	4.0mm	3.0mm	-	T15
CB038MTC	1.4 (Nm)	2.0mm	4.0mm	3.0mm	-	T15
CB050MCC	2.3 (Nm)	2.5mm	4.0mm	3.0mm	-	T15
CB050MTC	2.3 (Nm)	2.5mm	4.0mm	3.0mm	-	T15
CB076MCC	5.3 (Nm)	3.0mm	6.0mm	3.0mm	-	T15
CB076MTC	5.3 (Nm)	3.0mm	6.0mm	3.0mm	-	T15
CB2500BMA	2.3 (Nm)	3/32	1/4	7/64	7/32	-
CB202B	2.3 (Nm)	3/32	5/32	-	5/32	-
CB203D	5.3 (Nm)	1/8	1/4	-	7/32	-
CB204E	12.4 (Nm)	5/32	1/4	-	7/32	-
CB206F	12.4 (Nm)	5/32	5/16	-	1/4	-

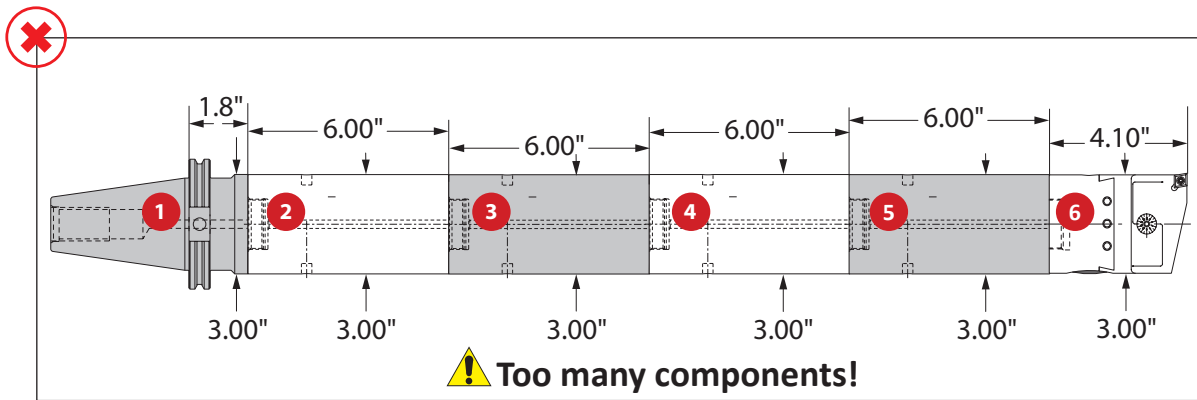
B20: 62 - 63

B20: 56 - 57



Guidelines for Not Exceeding Recommended Length to Diameter Ratio

To calculate, see graphics below:



*Length to diameter ratio is calculated using body diameters, not cutting diameter.

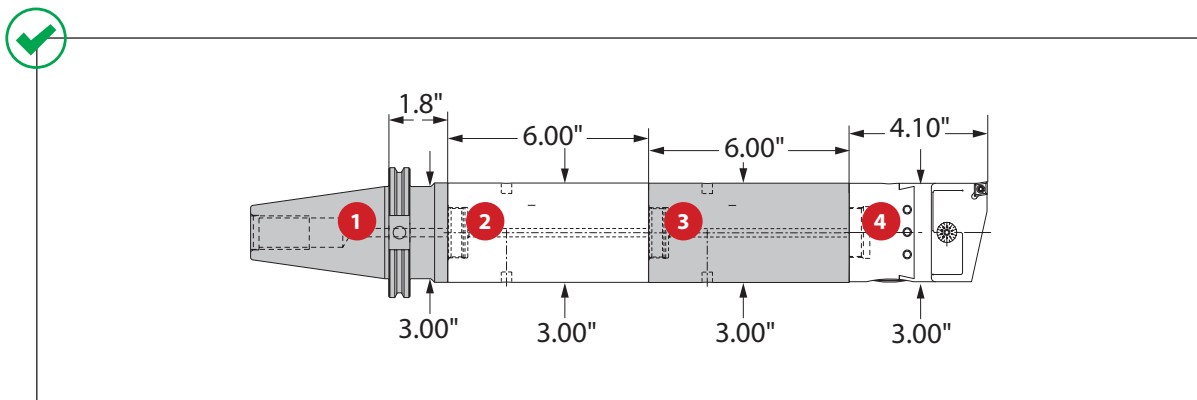
Step 1: Find L : D by component

- 1 $0.6 = 1.88/3.00$
- 2 $2.0 = 6.00/3.00$
- 3 $2.0 = 6.00/3.00$
- 4 $2.0 = 6.00/3.00$
- 5 $2.0 = 6.00/3.00$
- 6 $1.4 = 4.10/3.00$

Step 2: Add each L : D Average

	0.6
	2.0
	2.0
	2.0
	2.0
	2.0
	+ 1.4
10.0 = L : D ratio	

Too Long!



*Length to diameter ratio is calculated using body diameters, not cutting diameter.

Step 1: Find L : D by component

- 1 $0.6 = 1.88/3.00$
- 2 $2.0 = 6.00/3.00$
- 3 $2.0 = 6.00/3.00$
- 4 $1.4 = 4.10/3.00$

Step 2: Add each L : D Average

	0.6
	2.0
	2.0
	+ 1.4
6.0 = L : D ratio	

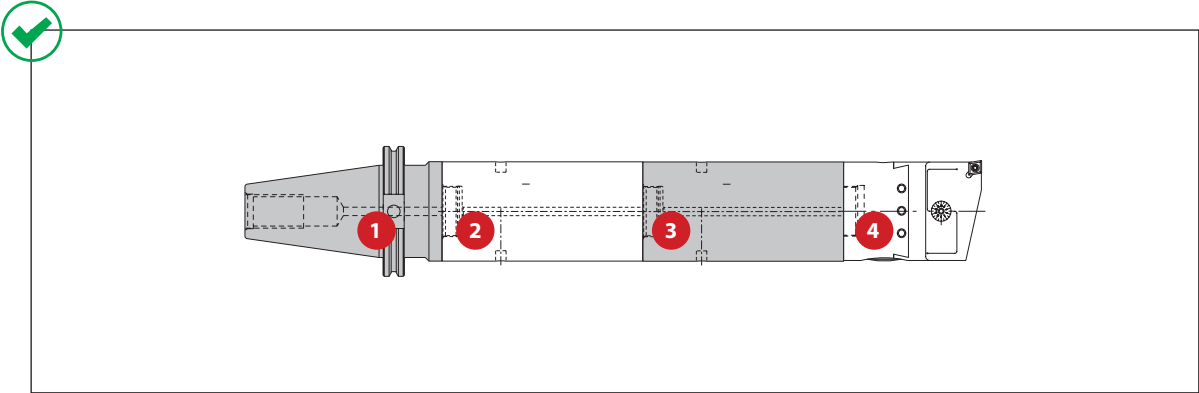
WARNING Tool failure can cause serious injury. To prevent:

- Do not exceed recommended 9xD length to diameter ratio or exceed 4 total components (including shank)

Factory technical assistance is available for your specific applications through our Application Engineering department. ext: 7611 | email: appeng@alliedmachine.com

Calculating Tool Assembly Weight

To calculate, see graphics below:



Step 1: Find weight for each component

Example:

Boring Range	Thread Connection	4 Boring Head		Weight	Insert Form	Order Number
		L ₁	D ₂			
1.050 - 1.320	¾ - 20	2.690	1.000	0.50 (lbs)	CC..215...	CB1000CC
1.050 - 1.320	¾ - 20	2.690	1.000	0.50 (lbs)	TC..215...	CB1000TC
1.300 - 1.600	¾ - 20	2.900	1.250	0.80 (lbs)	CC..215...	CB1250CC
1.300 - 1.600	¾ - 20	2.900	1.250	0.80 (lbs)	TC..215...	CB1250TC
1.585 - 2.700	¾ - 20	3.200	1.500	1.30 (lbs)	CC..325...	CB1500CC
1.585 - 2.700	¾ - 20	3.200	1.500	1.30 (lbs)	TC..325...	CB1500TC
2.060 - 3.320	¾ - 20	3.590	2.000	2.40 (lbs)	CC..325...	CB2000CC
2.060 - 3.320	¾ - 20	3.590	2.000	2.40 (lbs)	TC..325...	CB2000TC
3.065 - 5.065	1½ - 18	4.100	3.000	5.80 (lbs)	CC..325...	CB3000CC
3.065 - 5.065	1½ - 18	4.100	3.000	5.80 (lbs)	TC..325...	CB3000TC
27.00 - 33.00	¾ - 20	68.35	25	0.23 (kg)	CC..0602...	CB025MCC
27.00 - 33.00	¾ - 20	68.35	25	0.23 (kg)	TC..1102...	CB025MTC
33.00 - 41.00	¾ - 20	73.65	32	0.36 (kg)	CC..0602...	CB032MCC
33.00 - 41.00	¾ - 20	73.65	32	0.36 (kg)	TC..1102...	CB032MTC
41.00 - 68.00	¾ - 20	81.25	38	0.59 (kg)	CC..09T3...	CB038MCC
41.00 - 68.00	¾ - 20	81.25	38	0.59 (kg)	TC..16T3...	CB038MTC
53.00 - 84.00	¾ - 20	91.30	50	1.09 (kg)	CC..09T3...	CB050MCC
53.00 - 84.00	¾ - 20	91.30	50	1.09 (kg)	TC..16T3...	CB050MTC
78.00 - 128.00	1½ - 18	104.25	76	2.36 (kg)	CC..09T3...	CB076MCC
78.00 - 128.00	1½ - 18	104.25	76	2.36 (kg)	TC..16T3...	CB076MTC

Imperial (in) = 0.00005" adjustment on diameter
 Metric (mm) = 0.001mm adjustment on diameter

Step 2: Calculate total assembly weight

$$\begin{array}{r}
 1 \quad 8.03 \text{ lbs} \\
 2 \quad 11.50 \text{ lbs} \\
 3 \quad 11.50 \text{ lbs} \\
 + 4 \quad 5.80 \text{ lbs} \\
 \hline
 36.83 \text{ lbs}
 \end{array}$$

Step 3: Consult machine tool builder to ensure tool assembly weight does not exceed machine capabilities.

⚠ WARNING Exceeding weight capacity for machine tool spindle and tool changer can cause machine damage and/or serious injury. To prevent:
 - Consult machine tool builder for machine's weight limitations.
 Factory technical assistance is also available for specific applications through our Application Engineering department. ext: 7611 | email: appeng@alliedmachine.com

Recommended Cutting Data | Imperial (inch)

ISO	Material	(BHN) Hardness	Grade	*Speed SFM	Recommended Feed (inch / tooth)			
					Nose Radius			
					0.004"	0.008"	0.016"	0.031"
P	Free Machining Steel 1118, 1215, 12L14, etc.	100 - 250	Carbide	525 - 975	0.001 - 0.003	0.002 - 0.005	0.004 - 0.006	0.006 - 0.009
	Low Carbon Steel 1010, 1020, 1025, 1522, 1144, etc.	85 - 275	Carbide	475 - 925	0.001 - 0.002	0.002 - 0.004	0.003 - 0.005	0.005 - 0.008
	Medium Carbon Steel 1030, 1040, 1050, 1527, 1140, 1151, etc.	125 - 325	Carbide	475 - 825	0.001 - 0.002	0.002 - 0.004	0.003 - 0.005	0.005 - 0.008
	Alloy Steel 4140, 5140, 8640, etc.	125 - 375	Carbide	400 - 700	0.001 - 0.002	0.002 - 0.004	0.003 - 0.005	0.005 - 0.008
	High Strength Alloy 4340, 4330V, 300M, etc.	225 - 400	Carbide	325 - 600	0.001 - 0.002	0.002 - 0.004	0.003 - 0.005	0.005 - 0.008
	Structural Steel A36, A285, A516, etc.	100 - 350	Carbide	475 - 925	0.001 - 0.002	0.002 - 0.004	0.003 - 0.005	0.005 - 0.008
	Tool Steel H-13, H-21, A-4, O-2, S-3, etc.	150 - 250	Carbide	325 - 600	0.001 - 0.002	0.002 - 0.003	0.003 - 0.004	0.004 - 0.006
S	High Temp Alloy Hastelloy B, Inconel 600, etc.	140 - 310	Carbide	100 - 225	0.001 - 0.002	0.002 - 0.003	0.003 - 0.005	0.004 - 0.006
	Titanium Alloy	140 - 310	Carbide	125 - 300	0.001 - 0.002	0.002 - 0.003	0.003 - 0.005	0.004 - 0.006
	Aerospace Alloy S82	185 - 350	Carbide	125 - 300	0.001 - 0.002	0.002 - 0.003	0.003 - 0.005	0.004 - 0.006
M	Stainless Steel 400 Series 416, 420, etc.	185 - 350	Carbide	300 - 525	0.001 - 0.002	0.002 - 0.004	0.003 - 0.004	0.004 - 0.006
	Stainless Steel 300 Series 304, 316, 17-4PH, etc.	135 - 275	Carbide	300 - 525	0.001 - 0.002	0.002 - 0.004	0.003 - 0.004	0.004 - 0.006
	Super Duplex Stainless Steel	135 - 275	Carbide	300 - 525	0.001 - 0.002	0.002 - 0.004	0.003 - 0.004	0.004 - 0.006
H	Wear Plate	400 - 600	Carbide	100 - 200	0.001 - 0.002	0.002 - 0.003	0.003 - 0.004	0.004 - 0.006
	Hardened Steel	300 - 500	Carbide	125 - 275	0.001 - 0.002	0.002 - 0.003	0.003 - 0.004	0.004 - 0.006
K	SG / Nodular Cast Iron	120 - 320	Carbide	475 - 850	0.001 - 0.002	0.002 - 0.004	0.003 - 0.005	0.005 - 0.008
	Grey / White Iron	180 - 320	Carbide	600 - 1000	0.001 - 0.002	0.002 - 0.004	0.003 - 0.005	0.005 - 0.008
N	Cast Aluminum	30 - 180	Carbide	850 - 1000	0.001 - 0.002	0.002 - 0.004	0.003 - 0.005	0.005 - 0.008
	Wrought Aluminum	30 - 180	Carbide	675 - 1000	0.001 - 0.003	0.002 - 0.005	0.004 - 0.006	0.006 - 0.009
	Aluminum Bronze	100 - 250	Carbide	475 - 925	0.001 - 0.002	0.002 - 0.004	0.004 - 0.005	0.005 - 0.008
	Brass	100	Carbide	675 - 1000	0.001 - 0.002	0.002 - 0.004	0.003 - 0.005	0.005 - 0.008
	Copper	60	Carbide	325 - 600	0.001 - 0.002	0.002 - 0.003	0.003 - 0.004	0.004 - 0.005

*Not to exceed max recommended RPM for boring head

Deep Hole Boring Speed Adjustment

⚠ For Dynamic Boring Tool Length			
Boring Type	7xD	8xD	9xD
Finishing	0.70	0.50	0.30

Recommended Speed Example

If the recommended speed for a finish boring assembly under 5xD is 400 SFM, then the speed for an 8xD finish boring assembly in the same application would be 200 SFM. (400 SFM x 0.50 = 200 SFM)	
5xD = 400 SFM	8xD = 200 SFM

IMPORTANT: Max spindle speed refers to maximum possible speed for individual boring head and is not a recommended parameter. Refer to page B20: 62 for recommended application specific parameters. Factory technical assistance is available for your specific applications through our Application Engineering department.
ext: 7611 | email: appeng@alliedmachine.com

⚠ WARNING Tool failure can cause serious injury. To prevent:

- Do not exceed recommended 9xD length to diameter ratio or exceed 4 total components (including shank)
 - Refer to example on page B20: 60 for calculating length to diameter ratio
- Factory technical assistance is available for your specific applications through our Application Engineering department.

Recommended Cutting Data | Metric (mm)

ISO	Material	(BHN) Hardness	Grade	*Speed M/min	Recommended Feed (mm / tooth) Nose Radius			
					0.1mm	0.2mm	0.4mm	0.8mm
P	Free Machining Steel 1118, 1215, 12L14, etc.	100 - 250	Carbide	160 - 300	0.02 - 0.07	0.05 - 0.13	0.10 - 0.15	0.15 - 0.23
	Low Carbon Steel 1010, 1020, 1025, 1522, 1144, etc.	85 - 275	Carbide	145 - 280	0.02 - 0.05	0.05 - 0.10	0.07 - 0.13	0.13 - 0.20
	Medium Carbon Steel 1030, 1040, 1050, 1527, 1140, 1151, etc.	125 - 325	Carbide	145 - 250	0.02 - 0.05	0.05 - 0.10	0.07 - 0.13	0.13 - 0.20
	Alloy Steel 4140, 5140, 8640, etc.	125 - 375	Carbide	120 - 210	0.02 - 0.05	0.05 - 0.10	0.07 - 0.13	0.13 - 0.20
	High Strength Alloy 4340, 4330V, 300M, etc.	225 - 400	Carbide	100 - 180	0.02 - 0.05	0.05 - 0.10	0.07 - 0.13	0.13 - 0.20
	Structural Steel A36, A285, A516, etc.	100 - 350	Carbide	145 - 280	0.02 - 0.05	0.05 - 0.10	0.07 - 0.13	0.13 - 0.20
	Tool Steel H-13, H-21, A-4, O-2, S-3, etc.	150 - 250	Carbide	100 - 180	0.02 - 0.05	0.05 - 0.07	0.07 - 0.10	0.10 - 0.15
S	High Temp Alloy Hastelloy B, Inconel 600, etc.	140 - 310	Carbide	30 - 70	0.02 - 0.05	0.05 - 0.07	0.07 - 0.13	0.10 - 0.15
	Titanium Alloy	140 - 310	Carbide	40 - 90	0.02 - 0.05	0.05 - 0.07	0.07 - 0.13	0.10 - 0.15
	Aerospace Alloy S82	185 - 350	Carbide	40 - 90	0.02 - 0.05	0.05 - 0.07	0.07 - 0.13	0.10 - 0.15
M	Stainless Steel 400 Series 416, 420, etc.	185 - 350	Carbide	90 - 160	0.02 - 0.05	0.05 - 0.10	0.07 - 0.10	0.10 - 0.15
	Stainless Steel 300 Series 304, 316, 17-4PH, etc.	135 - 275	Carbide	90 - 160	0.02 - 0.05	0.05 - 0.10	0.07 - 0.10	0.10 - 0.15
	Super Duplex Stainless Steel	135 - 275	Carbide	90 - 160	0.02 - 0.05	0.05 - 0.10	0.07 - 0.10	0.10 - 0.15
H	Wear Plate	400 - 600	Carbide	30 - 60	0.02 - 0.05	0.05 - 0.07	0.07 - 0.10	0.10 - 0.15
	Hardened Steel	300 - 500	Carbide	40 - 80	0.02 - 0.05	0.05 - 0.07	0.07 - 0.10	0.10 - 0.15
K	SG / Nodular Cast Iron	120 - 320	Carbide	145 - 260	0.02 - 0.05	0.05 - 0.10	0.07 - 0.13	0.13 - 0.20
	Grey / White Iron	180 - 320	Carbide	180 - 306	0.02 - 0.05	0.05 - 0.10	0.07 - 0.13	0.13 - 0.20
N	Cast Aluminum	30 - 180	Carbide	260 - 306	0.02 - 0.05	0.05 - 0.10	0.07 - 0.13	0.13 - 0.20
	Wrought Aluminum	30 - 180	Carbide	205 - 305	0.02 - 0.07	0.05 - 0.13	0.10 - 0.15	0.15 - 0.23
	Aluminum Bronze	100 - 250	Carbide	145 - 280	0.02 - 0.05	0.05 - 0.10	0.10 - 0.13	0.13 - 0.20
	Brass	100	Carbide	205 - 305	0.02 - 0.05	0.05 - 0.10	0.07 - 0.13	0.13 - 0.20
	Copper	60	Carbide	100 - 180	0.02 - 0.05	0.05 - 0.07	0.07 - 0.10	0.10 - 0.13

*Not to exceed max recommended RPM for boring head

Deep Hole Boring Speed Adjustment

▲ For Dynamic Boring Tool Length			
Boring Type	7xD	8xD	9xD
Finishing	0.70	0.50	0.30

Recommended Speed Example

If the recommended speed for a finish boring assembly under 5xD is 260 M/min, then the speed for an 8xD finish boring assembly in the same application would be 260 M/min. (260 M/min x 0.50 = 130 M/min)

5xD = 260 M/min

8xD = 130 M/min

IMPORTANT: Max spindle speed refers to maximum possible speed for individual boring head and is not a recommended parameter. Refer to page B20: 62 for recommended application specific parameters. Factory technical assistance is available for your specific applications through our Application Engineering department.
ext: 7611 | email: appeng@alliedmachine.com

⚠ WARNING Tool failure can cause serious injury. To prevent:

- Do not exceed recommended 9xD length to diameter ratio or exceed 4 total components (including shank)
 - Refer to example on page B20: 60 for calculating length to diameter ratio
- Factory technical assistance is available for your specific applications through our Application Engineering department.



S.C.A.M.I.®

ROLLER BURNISHING

When your mirror finish still isn't shiny enough, follow your Criterion® boring tool with a S.C.A.M.I. roller burnisher. Contact your local Allied Machine & Engineering representative for more details.



Guaranteed Test / Demo Application Form

Distributor PO #	
------------------	--

The following must be filled out completely before your test will be considered

Distributor Information

Company Name: _____
 Contact: _____
 Account Number: _____
 Phone: _____
 Email: _____

End User Information

Company Name: _____
 Contact: _____
 Industry: _____
 Phone: _____
 Email: _____

Current Process List all tooling, coatings, substrates, speeds and feeds, tool life, and any problems you are experiencing

Test Objective List what would make this a successful test (i.e. penetration rate, finish, tool life, hole size, etc.)

Application Information

Finish Bore Diameter: _____ in/mm	Tolerance: _____	Material: _____ (4150 / A36 / Cast Iron / etc.)
Pre-existing Diameter: _____ in/mm	Depth of Bore: _____ in/mm	Hardness: _____ (BHN / Rc)
		State: _____ (Casting / Hot rolled / Forging)

Machine Information

Machine Type: _____ (Lathe / Screw machine / Machine center / etc.)	Builder: _____ (Haas, Mori Seiki, etc.)	Model #: _____
Shank Required: _____ (CAT50 / Morse taper, etc.)		Power: _____ HP/KW
Rigidity: _____	Orientation: _____	Tool Rotating: _____
<input type="checkbox"/> Excellent	<input type="checkbox"/> Vertical	<input type="checkbox"/> Yes
<input type="checkbox"/> Good	<input type="checkbox"/> Horizontal	<input type="checkbox"/> No
<input type="checkbox"/> Poor		
	Using Canned Boring Cycle	Thrust: _____ lbs/N
	<input type="checkbox"/> Yes	
	<input type="checkbox"/> No	

Coolant Information

Coolant Delivery: _____ (Through tool / Flood)	Coolant Pressure: _____ PSI / bar
Coolant Type: _____ (Air mist, oil, synthetic, water soluble, etc.)	Coolant Volume: _____ GPM / LPM

Requested Tooling

QTY	Item Number	QTY	Item Number



ALLIED MACHINE & ENGINEERING

Allied Machine & Engineering
 120 Deeds Drive
 Dover, OH 44622

Telephone: (330) 343-4283
 Toll Free USA & Canada: (800) 321-5537
 Fax: (330) 602-3400

Warranty Information



Allied Machine & Engineering ("Allied Machine") warrants to original equipment manufacturers, distributors, industrial and commercial users of its products for one year from the original date of sale that each new product manufactured or supplied by Allied Machine shall be free from defects in material and workmanship.

Allied Machine's sole and exclusive obligation under this warranty is limited to, at its option, without additional charge, replacing or repairing this product or issuing a credit. For this warranty to be applied, the product must be returned freight prepaid to the plant designated by an Allied Machine representative and which, upon inspection, is determined by Allied Machine to be defective in material and workmanship.

Complete information as to operating conditions, machine, setup, and the application of cutting fluid should accompany any product returned for inspection. This warranty shall not apply to any Allied Machine products which have been subjected to misuse, abuse, improper operating conditions, improper machine setup or improper application of cutting fluid or which have been repaired or altered if such repair or alteration, in the judgement of Allied Machine, would adversely affect the performance of the product.

THIS WARRANTY IS IN LIEU OF ALL OTHER WARRANTIES, EXPRESS OR IMPLIED, INCLUDING ANY IMPLIED WARRANTY OF MERCHANTABILITY OR FITNESS FOR A PARTICULAR PURPOSE. Allied Machine shall have no liability or responsibility for any claim, whether in contract, tort or otherwise, for any loss or damage arising out of, connected with, or resulting from the manufacture, sale, delivery or use of any product sold hereunder, in excess of the cost of replacement or repair as provided herein.

Allied Machine shall not be liable in contract or in tort (including, without limitation, negligence, strict liability or otherwise) for economic losses of any kind or for any special, incidental, indirect, consequential, punitive or exemplary damages arising in any way out of the performance of, or failure to perform this agreement.

ALL PRICES, DELIVERIES, DESIGNS, AND MATERIALS ARE SUBJECT TO CHANGE WITHOUT NOTICE.



Allied Machine & Engineering
Registered to ISO 9001
10001329

United States

Allied Machine & Engineering

120 Deeds Drive
Dover OH 44622
United States

Phone:
+1.330.343.4283

Fax:
+1.330.602.3400

Toll Free USA and Canada:
800.321.5537

Toll Free USA and Canada:
800.223.5140

Allied Machine & Engineering

485 W Third Street
Dover OH 44622
United States

Phone:
+1.330.343.4283

Fax:
+1.330.364.7666
(Engineering Dept.)

Toll Free USA and Canada:
800.321.5537

Europe

Allied Machine & Engineering Co. (Europe) Ltd.

93 Vantage Point
Pensnett Estate
Kingswinford
West Midlands
DY6 7FR England

Phone:
+44 (0) 1384.400900

Wohlhaupter GmbH

Maybachstrasse 4
Postfach 1264
72636 Frickenhausen
Germany

Phone:
+49 (0) 7022.408.0

Fax:
+49 (0) 7022.408.212

Asia

Wohlhaupter India Pvt. Ltd.

B-23, 2nd Floor
B Block Community Centre
Janakpuri, New Delhi - 110058
India

Phone:
+91 (0) 11.41827044

Your local Allied Machine representative:

www.alliedmachine.com

Allied Machine & Engineering is registered by DQS to ISO 9001 10001329



© 2019 Allied Machine & Engineering
Literature Order Number: AMPC-B2
Publish Date: December 2019