



Airmaster® Fan Company

A member of the Maico Group

The Brand Industry Trusts

History

Airmaster Fan's history originates in 1886 as the first electrical fan was patented by the Diehl Fan Company. During the next 100 years, Airmaster acquired the Chelsea, Brundage and Power Line Fan companies and marketed each brand separately. To streamline operations, sales and marketing of circulation/ventilation products were consolidated in 2002 to one name, Airmaster Fan Company. Airmaster has always been a family owned business and we do not answer to a corporation on Wall Street, instead, we answer to our customers on Main Street.

In 2013, Airmaster was purchased by another family business from Germany, the Maico group. The Maico group is a globally recognized leader in ventilation products and they are known for their product quality, reliability and reputation. Maico also brings additional new marketing opportunity, fan innovation and product expertise to Airmaster. Airmaster is proud to be a part of the Maico group and looks forward to future growth.

People: Airmaster services the end user markets in the Industrial, Electrical and HVAC segments. We only sell through our select distribution partners and utilize **professional factory representatives** as our sales force across North America.

Process: Airmaster has a full fabrication and tool & die facility, offering a complete engineering/technical staff along with an AMCA certified laboratory so we can verify our fans performance. We also provide excellent customer service and on-time delivery as a cornerstone of our business philosophy.

Products: All Airmaster products are designed and developed in the U.S. We offer our circulation products in three categories of Good, Better and Best, which provides quality products at multiple market price points.

Today, Airmaster Fan manufactures, designs and warehouses products in Jackson, Michigan. We also maintain stocking warehouses across the U.S. keeping people, process and plants cool. Airmaster exports throughout the world and offers the largest line of air moving equipment in North America. Our goal is to be the preferred supplier of complete air circulation/ventilation solutions in North America and in other global markets. At Airmaster Fan we value our relationships and work continuously to provide you with the highest quality circulation/ventilation fans in the industry. **Airmaster Fan is "The Brand Industry Trusts."**

Airmaster® Fan Company
1300 Falahee Road
Jackson, Michigan 49203

AIRMASTER SALES CONTACTS

CUSTOMER SERVICE

Phone: 517.764.2300
Fax: 517.764.3838
E-mail: sales@airmasterfan.com

TO PLACE ORDERS . . .

- | | |
|---|--|
| 1.) E-MAIL AIRMASTER:
sales@airmasterfan.com | 3.) FAX or CALL YOUR LOCAL
AIRMASTER SALES REPRESENTATIVE |
| 2.) FAX: 517.764.3838
Toll Free: 800.255.3084 | 4.) MAIL ORDERS TO:
Airmaster Fan Company
1300 Falahee Road, Suite 5
Jackson, MI 49203 |

DEPARTMENT CONTACTS

DEPARTMENT	NAME	EXT.	EMAIL
CREDIT MANAGER	Kim Faley <i>Direct</i>	1337 517.764.9329	kfaley@airmasterfan.com
MARKETING ASSISTANT	Megan Stevens	1345	mstevens@airmasterfan.com
DIRECTOR OF HVAC	Bob Zellhoefer <i>Cell:</i>	1344 517.581.3872	rzellhoefer@airmasterfan.com
KEY ACCOUNT MANAGER	John Stone <i>Cell:</i>	1317 616.437.2375	jstone@airmasterfan.com



Airmaster[®] Fan Company

A member of the Maico Group

Copyright 2016 Airmaster[®] Fan Company

Table of Contents

Categorized Listing

Understanding Air Circulation & Ventilation	1
Understanding Hazardous Location Fans & Motors	3
Heavy-Duty Air Circulators - 115V	4
Heavy Duty Air Circulators - 230/460V	6
Heavy-Duty Hazardous Location Air Circulators	7
Heavy-Duty Industrial Spot Coolers - 208/230/460V	8
Heavy Duty Air Circulators	9
Industrial Air Circulators - 115V	11
Commercial Air Circulators - 115V	15
Air Circulators	19
Light Commercial Non-Oscillating	20
Heavy Duty Safety Yellow Air Circulators	21
Heavy Duty Easy Clean Air Circulators	24
Misting Barrel & Pedestal Fans - 115V	25
Washdown® Air Circulators	26
Portable Mancoolers® - 115V	30
Heavy Duty Mobile Filtered Fan	33
Portable Utility Blower And Heater Option	34
Ceiling Fans - 120V and 277V	35
Understanding Ceiling Fans	36
Direct Drive Air Blasters 115/230V & 230/460V	37
Direct Drive Fans - Low Pressure	40
Supply Duty Option And Supply Fan Accessories	43
Direct Drive Fans - Low Pressure/High Pressure	44
Belt Drive Cabinet Fan with Auto Shutters	49
Low Pressure Belt Drive Exhaust Fans	50
High Pressure Belt Drive Fans	52
Shutters and Wall Collars	56
Weather Hoods	58
Direct Drive Fans - Tube Axial	59
Belt Drive Fans - Tube Axial	63
Direct Drive Upblast Propeller Roof Ventilators	68
Belt Drive Upblast Propeller Roof Ventilators	69
Direct Drive Propeller Rooftop Exhaust Fans	70
Centrifugal Direct Drive Exhaust Fans	71
Belt Drive Centrifugal Upblast Exhaust Fans	74
High Pressure Belt Drive Centrifugal Upblast Exhaust Fans	76
Direct Drive Centrifugal Upblast / Wall Fans	78
Gravity Relief Vents	79
Whole House Fan	80
Turbo In-Line Centrifugal Duct Fans	81
In-Line Duct Fans	82
Intake Louvers	84
Motor Accessories	88
Table of Contents - Part Number Index	89
Airmaster Sales Representatives	102
Notes	104
Warranty	105



Understanding Air Circulation & Ventilation

How is Heat generated and why is it a safety issue?

Heat is generated from People, Plants, Processes, Roof Pitch and from Weather (temperatures & humidity). When hot, stratified air gets trapped at the ceiling, it becomes a plant safety issue.

According to the OSHA Technical Manual, Section III, Chapter 4, "Workers should not be permitted to work when their deep body temperature exceeds 38°C (100.4°F) as it is dangerous for the worker. Air flowing past the body can cool the body if the air temperature is cool. On the other hand, air that exceeds 35°C (95°F) can increase the heat load on the body" Heat is a safety issue!

Our **CIRCULATION Products** (See pages 4-39) keep air moving in a variety of sizes and mounts.

Our **VENTILATION Products** (See pages 40-88) take hot, stratified air out of plants & brings in fresh cool air.

TERMINOLOGY

CIRCULATION: Moving air within an area.

VENTILATION: Moving air from one area to another.

CFM: The Cubic Feet per Minute of air moved by a fan.

SP/STATIC PRESSURE: The resistance to flow in any air moving system. Fans are rated CFM at various static pressure.

HP/HORSE POWER: The mechanical measurement of a motors power.

FPM: Feet per Minute. The distance in that air travels in one minute.

MPC: Minutes Per air Change.

CPH: Changes of air Per Hour.

RPM: Revolutions per minute.

VELOCITY: The speed, expressed in FPM (feet per minute) of air.

AIR CHANGE: Expressed in "Minutes per Change", it's the time required to complete an air change within a given space.

XP: Explosion Proof

TENV: Totally Enclosed Non Vented

TEAO: Totally Enclosed Air Over

FAN TYPES:

AIR CIRCULATORS: Available in Pedestal, Wall, Floor, I-Beam, and Ceiling Mounts. Available in Oscillating and Non-Oscillating units. Circulator fans are used to keep air moving within a plant, to keep people and processes cool.

EXHAUST FANS: Take Hot stratified air out of plants. Available in Wall and Rooftop units.

INTAKE FANS: Mechanically replace air exhausted with fresh air. Available in Wall & Rooftop units and Louvers.

DIRECT DRIVE FANS: Offer more CFM at a higher RPM Quiet.

BELT DRIVE FANS: Are quieter at lower CFM & RPM than a direct drive unit.

Picking a CIRCULATION Fan

APPLICATIONS

AIR CIRCULATORS: These fans offer focused air flow and can be found in a variety of areas within a plant environment. Typically seen above people, on assembly lines, in work stations, maintenance areas and near shipping departments, to circulate air and cool people. Models are also available for automotive applications, Hazardous Duty and for Stainless Steel/Wash-Down fans used in the Food processing industry.

MANCOOLERS: These portable floor fans are low to the ground which is where the cool plant air is found. Our Mancooler fans capture this cool air, moving it down aisles, corridors and hallways. These fans can also be seen near plant bay doors to help bring large volumes of fresh outside air in, to keep people and processes cool.



Picking a VENTILATION Fan

Ventilation consists of **EXHAUST** and **INTAKE** fans to keep air moving from one area of a plant to another. When business adds more people, processes or additions to the plant, then the air dynamic of the facility changes and more heat is created as a result of the change. Proper ventilation is needed to remove (Exhaust) the heat.

APPLICATIONS

EXHAUST FANS: These ventilation fans can be seen along the walls of a plant and on the ceiling. The application is determined by the size and type of facility. These fans are available in Wall or Roof mounted units, Direct or Belt drive, and mechanically take hot air out of plants.

INTAKE FANS/LOUVERS: Whenever air is removed (Exhaust) then air has to be replaced (Intake Air) in order to keep the air dynamic balanced. Intake Fans/Louvers are seen along the walls of plants and provide a source of fresh air to make up for the exhaust air. Intake Fans/Louvers are best placed across from exhaust air fans. These fans are available in Wall or Roof mounted units, Direct or Belt drive, and mechanically take hot air out of plants.

CAUTION: When ventilating an area that contains hazardous (explosive) fumes or dust, always specify a fan with explosion proof motor/spark resistant blade.

Airmaster also offers complete system accessories such as Weather Hoods, Shutters, Wall Collars, Roof Curbs, Front/Rear Fan Guards, Bird Screens, Thermostats, Switches and Humidistats.

Q. How can I size my facility for a proper Ventilation Solution?

A. Determine the volume of air needed by using the Air Change Method!

This is calculated by taking the **LENGTH x WIDTH x HEIGHT** of the area divided by the frequency of air changes.

EXAMPLE: Warehouse

Size: 100' L x 80' W x 20' H = 160,000 CU. FT.
 Estimate an air change every 2-10 minutes.
 In this example, let's choose a change every 10 minutes.
 60 minutes in an hour gives us 6 changes/hour.

160,000 cu.ft/10 changes = 16,000 CFM Needed

Once you know the CFM needed, pick and Airmaster Exhaust fan and the mount location (Wall or Roof) along with the type of motors in either Belt (quieter) or Direct Drive Motor.

For additional help and information, contact Airmaster Fans Engineering Department.

AIR CHANGE APPLICATION	Minutes Per Change	Changes per Hour
Auditoriums & Halls	2 to 10	6 to 30
Bakeries	2 to 3	20 to 30
Barns	10 to 20	3 to 6
Boiler Rooms	2 to 10	6 to 30
Churches	5 to 10	6 to 12
Compressor/Engine Rooms	1 to 3	20 to 60
Dairies	2 to 5	12 to 30
Dry Cleaners/Laundry	1 to 5	12 to 60
Factories	2 to 5	12 to 30
Foundries	1 to 5	12 to 60
Garages	2 to 10	6 to 30
Generator Rooms	2 to 5	12 to 30
Gymnasiums	2 to 10	6 to 30
Hospitals/Kitchens	2 to 5	12 to 30
Kitchens-Restaurant	1 to 3	20 to 60
Laboratories	1 to 5	12 to 60
Offices	2 to 10	6 to 30
Packing Houses	2 to 5	12 to 30
Tool Rooms	2 to 5	12 to 30
Transformer Rooms	1 to 5	12 to 60
Warehouses	2 to 10	6 to 30

Heat & Humidity levels may increase/decrease the air change time needed



Hazardous Location Fans & Motors

Understanding Hazardous Location Fans & Motors

Many areas do or may contain gas, vapor or dust in explosive quantities. These areas must be considered hazardous when selecting a fan. To exhaust these areas a fan with an explosion proof motor must be used, many explosions have been caused by exhausting a potentially explosive area with a fan and motor not designed for use in hazardous areas.

Locations Which May Contain Explosive Gas, Vapor or Dust in the Atmosphere; Oil Refineries; Painting Operations; Welding Shops; Chemical Plants; Grain Elevators; Coal Mines; Grain Mills; Battery Charging Areas; Chemical Storage; Paint Storage; Dry Cleaners; Laboratory Hoods; Feed Mills; Flour Mills; Electroplating Operations

Most airborne dusts are flammable and potentially explosive, and should be treated as such. Locations containing any amounts of explosive material, no matter how slight, require the use of a fan with a motor rated for hazardous locations and spark resistant construction. **Hazardous locations may include, but are not limited to the above list.**

All Airmaster fans with explosion proof motors are rated for Class I, Group D, Class II, Groups F & G atmospheres. Some may be rated for Class I, Group D, Class II, Groups E, F & G, they will be listed in the catalog. An explosion proof motor is designed to withstand an explosion of a specific gas or vapor which may occur within it, and prevent the ignition of the gas or vapor which may be surrounding the motor casing. Always be sure that the motor classes and group ratings match the requirements of the hazardous location. Fans and air circulators with explosion proof motors must be hard wired using explosion proof components and in accordance with all local, state, and national codes. Equipment with explosion proof motors should never be supplied with a cord and plug. Plugging a piece of equipment into a wall outlet can cause a spark, which could lead to an explosion.

National Electrical Code - Explosive Atmosphere Classifications

Class I

Group A: Acetylene

Group B: Butadiene, ethylene oxide, hydrogen, propylene oxide, manufactured gasses containing more than 30% hydrogen by volume.

Group C: Acetaldehyde, cyclopropane, diethyl ether, and ethylene.

Group D: Acetone, acrylonitrile, ammonia, benzene, butane, ethanol, ethylene dichloride, gasoline, hexane, isoprene, methane (natural gas), methanol, naphtha, propane, styrene, toluene, vinyl acetate, vinyl chloride, xylene.

Class II

Group E: Aluminum, magnesium, and other metal dusts with similar characteristics

Group F: Carbon black, coke or coal dust

Group G: Flour, starch or grain dust

Class III

Easily ignitable fibers, such as rayon, cotton, sisal, hemp, cocoa fiber, oakum, excelsior and other fibers of similar nature.

What Classifies a Hazardous Environment?

The classification of a hazardous atmosphere requires considerable skill and judgment, especially the extent of the hazardous areas.

Class I, Division I: Those areas in which hazardous concentrations of flammable gasses, vapor or liquids exist, either continually or periodically during normal operating conditions. In these areas the National Electric Code requires the use of explosion proof motors at all times.

Class II, Division II: Those areas in which flammable gasses are handled, processed or used. In these locations the liquid or gas is normally confined in enclosed containers or systems, from which they can escape only in the event of accidental breakdown or abnormal operations. In these areas the National Electric Code requires only that the motors must not have sparking internal contacts (such as centrifugal switches). Normally, three phase TEFC motors are suitable for operation in these atmospheres.

Explosion proof motors are generally not available for Class I, Group A and Class I, Group B locations. When these conditions are encountered, it is usually necessary to isolate the motors from the hazardous location. Also, it is possible to substitute hydraulic or pneumatic motors in place of electric type. All Airmaster axial flow fans and air circulators with explosion proof motors have a cast aluminum propeller or a fabricated propeller with aluminum blades.

Note: All fans must be installed in accordance with all applicable national, state, and local electrical and mechanical codes. For further information, contact Airmaster Fan engineering.



Heavy-Duty Air Circulators - 115V

Pedestal, Wall, I-Beam & Ceiling Mount Fans Non-Oscillating



Adjustable Pedestal
Unit Packs, Models - 642 Motor

5 Year Warranty - Ultra Quiet FEATURES

- Energy Efficient - Lowest Watts Per CFM, Ultra Quiet Die Cast Aluminum Airfoil Propeller
- Excellent for Churches, Schools, Industrial and Commercial Applications
- Includes Supply Cord and Plug, Wall and I-Beam Mounts Able To Be Installed By One Individual
- Meets OSHA Standards, 3 Speed Motor, 26" Base (18" & 20"); 32" Base (24" & 30")
- 1/5 HP (18" & 20") and 1/3 HP (24" & 30"), 115V, 1 Phase, Totally Enclosed, Ball Bearing Motor
- Patented Modular Motor End Dome for easy maintenance, All Stocked



PERFORMANCE 115V

Prop Dia.	CFM			RPM			Motor Number	F.L. Amps
	High	Med.	Low	High	Med.	Low		
18"	2600	2113	1805	1125	915	780	642J (Non-Osc.)	1.41
20"	3100	2060	1657	1120	745	600	642J (Non-Osc.)	1.65
24"	5588	4556	3325	1110	900	700	642 (Non-Osc.)	2.5
30"	8402	6259	4463	1098	880	660	642 (Non-Osc.)	2.7

Performance Ratings are conducted in accordance with AMCA Standard 230-99.



Ceiling Mount

I-Beam Mount

Motor, Specified Mounting, Propeller & Guard Shipped In A Single Carton

EDP Number	Catalog No.	Prop Dia.	Fan Style	HP	Ship Wt.	List Price
20892	UP18LF16-S	18"	Pedestal Fan	1/5	65	\$723
20899	UP18LW16-S8	18"	Wall Mount	1/5	45	\$607
20906	UP18L16-S	18"	I-Beam Mount	1/5	48	\$704
20911	UP18LS16-S	18"	Ceiling Mount	1/5	49	\$581
20893	UP20LF6-S	20"	Pedestal Fan	1/5	66	\$750
20902	UP20LW16-S8	20"	Wall Mount	1/5	46	\$642
20907	UP20L16-S	20"	I-Beam Mount	1/5	49	\$742
20912	UP20LS16-S	20"	Ceiling Mount	1/5	50	\$617
20895	UP24LF16-S	24"	Pedestal Fan	1/3	85	\$983
37144	UP24LW16-S8	24"	Wall Mount	1/3	56	\$877
37139	UP24L16-S	24"	I-Beam Mount	1/3	58	\$956
37137	UP24LS16-S	24"	Ceiling Mount	1/3	50	\$843
20900	UP30LF16-S	30"	Pedestal Fan	1/3	91	\$1,063
37145	UP30LW16-S8	30"	Wall Mount	1/3	60	\$955
37140	UP30L16-S	30"	I-Beam Mount	1/3	63	\$1,034
37138	UP30LS16-S	30"	Ceiling Mount	1/3	55	\$937

MOTOR TILT ADJUSTMENTS

TYPE	TILT UP OR DOWN (IN DEGREES)			
	OSCILLATING		NON-OSCILLATING	
	UP	DOWN	UP	DOWN
FLOOR	20°	10°	20°	10°
WALL	20°	10°	20°	15°
I-BEAM	20°	20°	20°	20°

0° = Horizontal Plane

Ceiling Mount: A safety cable kit is included in all overhead mounted air circulators to prevent the fan from falling if accidentally struck or mounting fails. Single safety cable kits consist of 12 feet of 1/16" diameter cable, 2 cable clamps and instructions.

Assembled Fan Heads, Models - 642 Motor

Motor, Propeller & Guard Assembled

EDP Number	Catalog No.	Prop Dia.	Fan Style	HP	Ship. Wt.	List Price
20115	M24GBA	24"	Head Assembly	1/3	41	\$798
20915	M30GBA	30"	Head Assembly	1/3	47	\$877

Mountings

For Fan Head Component Packs and Assembled Fan Heads

EDP Number	Catalog No.	Fan Style	Ship. Wt.	Description	List Price
21152	8CP2B	Adj. Pedestal	13	5' to 8' pedestal (for use with A786B base.)	\$125
21165	A-786B-1	Floor Base	17	For use with 8CP-2B pedestal on 18", 20", 26" and 32" fans.	\$116
21166	A786B-2	Floor Base	34	For use with 8CP-2B pedestal on 24", 26", 30" and 32" fans.	\$118
21187	878W	Wall Bracket	10	Use for HD air circulator wall mountings. Includes Safety Cable Kit.	\$127
21191	700-U	I-Beam Bracket	5	Use for HD air circulator I-Beam mountings. Includes Safety Cable Kit.	\$210
21203	CK-2	Ceiling Bracket	14	Use for HD air circulator ceiling mount (-non-oscillating only.) Extension pipe not included. Includes Safety Cable Kit.	\$92

NOTES: See Page 9 for optional accessories and component parts for fan head assemblies.



Heavy-Duty Air Circulators - 115V

Pedestal, Wall, I-Beam & Ceiling Mount Fans Oscillating

Unit Packs, Models - 967 Motor



Adjustable Pedestal



Wall Mount



I-Beam Mount

5 Year Warranty - Ultra Quiet

FEATURES

- Energy Efficient - Lowest Watts Per CFM
- Ultra Quiet Die Cast Aluminum Airfoil Propeller
- Excellent for Churches, Schools, Industrial and Commercial Applications
- Includes Supply Cord and Plug
- Wall and I-Beam Mounts Able To Be Installed By One Individual
- Meets OSHA Standards
- 3 Speed Motor
- 1/5 HP (18" & 20") and 1/3 HP (24" & 30"), 115V, 1 Phase, Totally Enclosed, Ball Bearing Motor
- 26" Base (18" & 20"); 32" Base (24" & 30")
- Patented Modular Motor End Dome for easy maintenance
- All Stocked

PERFORMANCE 115V

Prop Dia.	CFM			RPM			Motor Number	F.L. Amps
	High	Med.	Low	High	Med.	Low		
18"	2600	2113	1805	1125	915	780	967J (Osc.)	1.41
20"	3100	2060	1657	1120	745	600	967J (Osc.)	1.65
24"	5387	4356	3125	1070	850	628	967 (Osc.)	2.5
30"	7996	5859	4063	1045	789	561	967 (Osc.)	2.9

Performance Ratings are conducted in accordance with AMCA Standard 230-99.



Motor, Specified Mounting, Propeller & Guard Shipped In A Single Carton

EDP Number	Catalog No.	Prop Dia.	Fan Style	HP	Ship Wt.	List Price
20894	UP18BN-S	18"	Pedestal Fan	1/5	71	\$956
20903	UP18WN-S8	18"	Wall Mount	1/5	51	\$880
20908	UP18IN-S	18"	I-Beam Mount	1/5	54	\$953
20898	UP20BN-S	20"	Pedestal Fan	1/5	72	\$1,020
20904	UP20WN-S8	20"	Wall Mount	1/5	52	\$944
20909	UP20IN-S	20"	I-Beam Mount	1/5	55	\$1,009
20885	UP24BN-S	24"	Pedestal Fan	1/3	89	\$1,519
37129	UP24WN-S8	24"	Wall Mount	1/3	60	\$1,413
37147	UP24IN-S	24"	I-Beam Mount	1/3	63	\$1,493
20890	UP30BN-S	30"	Pedestal Fan	1/3	95	\$1,600
37135	UP30WN-S8	30"	Wall Mount	1/3	64	\$1,491
37148	UP30IN-S	30"	I-Beam Mount	1/3	67	\$1,572

MOTOR TILT ADJUSTMENTS

TILT UP OR DOWN (IN DEGREES)

TYPE	OSCILLATING		NON-OSCILLATING	
	UP	DOWN	UP	DOWN
FLOOR	20°	10°	20°	10°
WALL	20°	10°	20°	15°
I-BEAM	20°	20°	20°	20°
CEILING	N/A	N/A	N/A	N/A

0° = Horizontal Plane

NOTES: Oscillating motor not to be used upside down. See page 14 for optional accessories.

A safety cable kit is included in all overhead mounted air circulators to prevent the fan from falling if accidentally struck or mounting fails. Single safety cable kits consist of 12 feet of 1/16" diameter cable, 2 cable dampers and instructions.



Heavy-Duty Air Circulators - 230/460V

Pedestal, Wall, I-Beam & Ceiling Mount Fans Non-Oscillating



5 Year Warranty - Ultra Quiet

FEATURES

- 230/460V, 1/4 HP, 3 Phase, 1 Speed, Totally Enclosed Ball Bearing Motor

PERFORMANCE 230/460V

Prop Dia.	CFM	RPM	Motor No.	F.L. Amps
24"	5739	1140	1069	1.2/.6
30"	8723	1140	1069	1.2/.6

Performance Ratings are conducted in accordance with AMCA Standard 230-99.

EDP Number	Catalog No.	Prop Dia.	Fan Style	HP	Ship Wt.	List Price
20600K	24LF36	24"	Pedestal Fan 21152 (8CP-2B Pedestal), 21166 (A786B-2 Base)	1/4	70	\$1,453
20620K	24LW368	24"	Wall Mount Fan 21187 (878W Wall Brkt. with Safety Cable)	1/4	49	\$1,301
20640K	24LI36	24"	I-Beam Mount Fan 21191 (700-U I-Beam Brkt. with Safety Cable)	1/4	49	\$1,381
20630K	24LS36	24"	Ceiling Mount Fan 21203 (CK-2 Ceiling Kit with Safety Cable)	1/4	39	\$1,267
20650K	30LF36	30"	Pedestal Fan 21152 (8CP-2B Pedestal), 21166 (A786B-2 Base)	1/4	77	\$1,535
20670K	30LW368	30"	Wall Mount Fan 21187 (878W Wall Brkt. with Safety Cable)	1/4	56	\$1,381
20690K	30LI36	30"	I-Beam Mount Fan 21191 (700-U I-Beam Brkt. with Safety Cable)	1/4	56	\$1,459
20680K	30LS36	30"	Ceiling Mount Fan 21203 (CK-2 Ceiling Kit with Safety Cable)	1/4	46	\$1,346

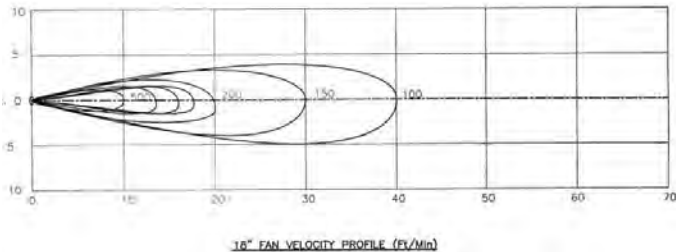
All 24" Kitted Components consist of: 21025 (1069 B Motor); 21070 (Guard Assembly); 21095 (24BA-1A Prop); plus mounting listed above.

All 30" Kitted Components consist of: 21025 (1069 B Motor); 21080 (AC30-G Guard Assembly); 21105 (30BA-1A Prop); plus mounting listed above.

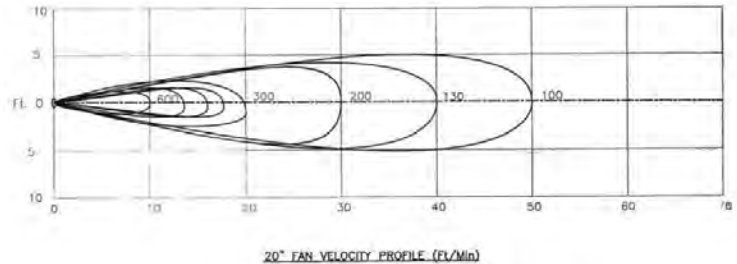
FAN VELOCITY PROFILES

Represents all 18" and 20" 1/5 HP Heavy Duty Air Circulators.

18" HORIZONTAL VELOCITY PROFILE (Ft/Min)

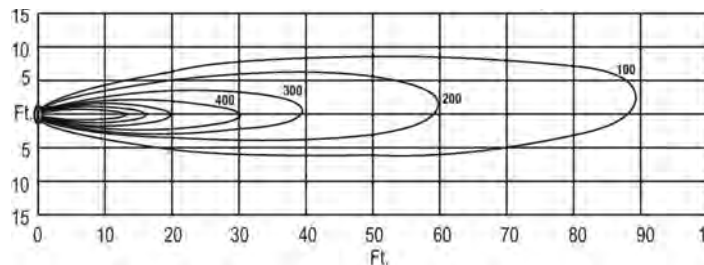


20" HORIZONTAL VELOCITY PROFILE (Ft/Min)

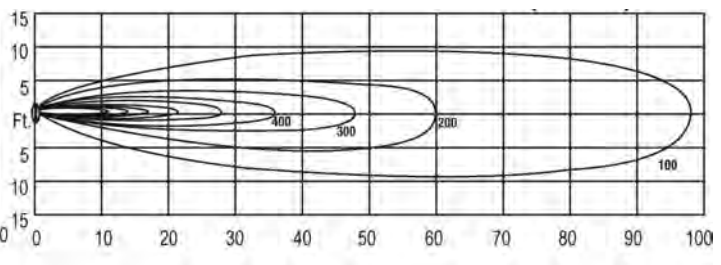


Represents all 24" and 30" 1/4 & 1/3 HP Heavy Duty Air Circulators.

24" HORIZONTAL VELOCITY PROFILE (Ft/Min)



30" HORIZONTAL VELOCITY PROFILE (Ft/Min)





Heavy-Duty Hazardous Location Air Circulators

Pedestal, Wall, I-Beam & Ceiling Mount Fans 115/230V or 230/460V Spark Resistant Non-Oscillating

Unit Packs 115/230 Spark Resistant Models



1 Year Warranty - Ultra Quiet

FEATURES

- Die Cast Aluminum Propeller
- OSHA Approved Safety Guards
- 115/230V, 1/4 HP, 1 Phase & 230/460V, 1/4 HP, 3 Phase, Single Speed, Ball Bearing Motors
- All Unit Packs in Stock

Prop Dia.	CFM	RPM	Motor No.	Volt	F.L. Amps
24"	5739	1140	1169	115/230	6.9/3.5
24"	5739	1140	1269	230/460	1.1/.55
30"	8723	1140	1169	115/230	6.9/3.5
30"	8723	1140	1269	230/460	1.1/.55

Performance Ratings are conducted in accordance with AMCA Standard 230-99.

Explosion Proof Motor for Class 1, Group D & Class II, Groups E, F & G See page 3 for further Explosion Proof Motor information.

FOR USE IN HAZARDOUS LOCATIONS SUCH AS:

- Oil Refineries
- Welding Shops
- Paint Operations / Storage and Other Locations that may contain Explosive Gas, Vapor or Dust in the Atmosphere



Motor, Specified Mounting, Propeller & Guard Shipped In A Single Carton

EDP Number	Catalog No.	Prop Dia.	Fan Style	HP	Ship Wt.	List Price
20301	24LF16X	24"	Pedestal Fan	1/4	111	\$1,624
20321	24LW16X8	24"	Wall Mount	1/4	78	\$1,471
20341	24LI16X	24"	I-Beam Mount	1/4	82	\$1,547
20331	24LS16X	24"	Ceiling Mount	1/4	74	\$1,435
20351	30LF16X	30"	Pedestal Fan	1/4	98	\$1,703
20371	30LW16X8	30"	Wall Mount	1/4	82	\$1,550
20391	30LI16X	30"	I-Beam Mount	1/4	87	\$1,627
20381	30LS16X	30"	Ceiling Mount	1/4	77	\$1,513

Kitted Units 230/460 Spark Resistant Models

Unit Shipped As Individual Component Parts Via Truck Or UPS

EDP Number	Catalog No.	Prop Dia.	Fan Style	HP	Ship Wt.	List Price
20450K	24LF36X	24"	Pedestal Fan 21152 (8CP-2B Pedestal), 21166 (A786-2 Base)	1/4	100	\$1,850
20470K	24LW36X8	24"	Wall Mount Fan 21187 (878W-Tilted Wall Brkt with Safety Cable)	1/4	79	\$1,696
20490K	24LI36X	24"	I-Beam Mount Fan 21191 (700-U I-Beam Brkt, with Safety Cable)	1/4	79	\$1,776
20480K	24LS36X	24"	Ceiling Mount Fan 21203 (CK-2 Ceiling with Safety Cable)	1/4	69	\$1,661
20500K	30LF36X	30"	Pedestal Fan 21152 (8CP-2B Pedestal), 21166 (A786B-2 Base)	1/4	107	\$1,930
20520K	30LW36X8	30"	Wall Mount Fan 21187 (878W-Tilted Wall Brkt with Safety Cable)	1/4	86	\$1,777
20540K	30LI36X	30"	I-Beam Mount Fan 21191 (700-U I-Beam Brkt, with Safety Cable)	1/4	86	\$1,854
20530K	30LS36X	30"	Ceiling Mount Fan 21203 (CK-2 Ceiling with Safety Cable)	1/4	76	\$1,741

All 24" Kitted Components consist of: 21040 (1269 XP Motor); 21070 (AC24G Guard Ass'y.); 21095 (24BA-1A Prop); plus mounting listed above.

All 30" Kitted Components consist of: 21040 (1269 XP Motor); 21080 (AC30G Guard Ass'y.); 21105 (30BA-1A Prop); and mounting listed above.

NOTES:

XP = Explosion Proof

"K" suffix indicates unit shipped as individual component parts. May be shipped UPS or Truck.

CORD AND PLUG NOT PROVIDED. Must be hard wired. Wiring must conform to all national, state and local codes.

A safety cable kit is included in all overhead mounted air circulators to prevent the fan from falling if accidentally struck or mounting fails.

Single safety cable kits consist of 12 feet of 1/16" diameter cable, 2 cable clamps and instructions



Heavy-Duty Industrial Spot Coolers - 208/230/460V

Pedestal, Wall, I-Beam & Ceiling Mount Fans Non-Oscillating



1 Year Warranty - Ultra High Velocity Air Flow

FEATURES

- Heavy Gauge Galvanized Steel Propeller for Severe Conditions
- 4 Mounting Options - Pedestal, Wall, I-Beam & Ceiling
- 208/230/460V, 1 HP, 3 Phase, Totally Enclosed, Ball Bearing Motor
- Single Speed

PERFORMANCE 208/230/460V

Prop Dia.	CFM	RPM	Motor No.	F.L. Amps
24"	7700	1140	1369	4.0/2.0
30"	12400	1125	1369	4.0/2.0

Performance Ratings are conducted in accordance with AMCA Standard 230-99.



EDP Number	Catalog No.	Prop Dia.	Fan Style	HP	Ship Wt.	List Price
20750K	24HF36	24"	Pedestal Fan 21152 (8CP-2B Pedestal) 21166 (A786-2 Base)	1	89	\$1,578
20770K	24HW36	24"	Wall Mount Fan 21187 (878W-Tilted Wall Brkt. with Safety Cable)	1	68	\$1,424
20790K	24HI36	24"	I-Beam Mount Fan 21191 (700-U I-Beam Brkt. with Safety Cable)	1	68	\$1,503
20780K	24HS36	24"	Ceiling Mount Fan 21203 (CK-2 Ceiling Kit with Safety Cable)	1	58	\$1,389

All 24" Kitted Components consist of: 21050 (1369 Motor); 21070 (AC24-G Guard Assembly); 21120 (24HH-1 Prop); plus mounting listed above.

Unit Packs Models - 1369 Motor

Motor, Specified Mounting, Propeller & Guard Shipped in Single Carton

EDP Number	Catalog No.	Prop Dia.	Fan Style	HP	Ship Wt.	List Price
20840	30HF36	30"	Pedestal Fan	1	96	\$1,658
20860	30HW36	30"	Wall Mount Fan	1	83	\$1,503
20880	30HI36	30"	I-Beam Mount Fan	1	83	\$1,583
20870	30HS36	30"	Ceiling Mount Fan	1	65	\$1,468

MOTOR TILT ADJUSTMENTS

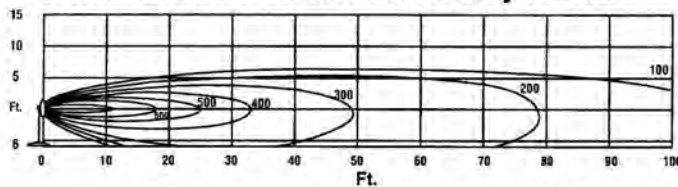
TYPE	TILT (IN DEGREES) NON-OSCILLATING	
	UP	DOWN
FLOOR	20°	10°
WALL	20°	15°
I-BEAM	20°	20°
CEILING	8°	20°

0° = Horizontal Plane

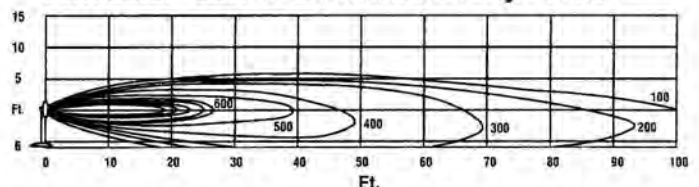
Ceiling Mount: A safety cable kit is included in all overhead mounted air circulators to prevent the fan from falling if accidentally struck or mounting fails. Single safety cable kits consist of 12 feet of 1/16" diameter cable, 2 cable clamps and instructions.

Ultra High Velocity Air Flow

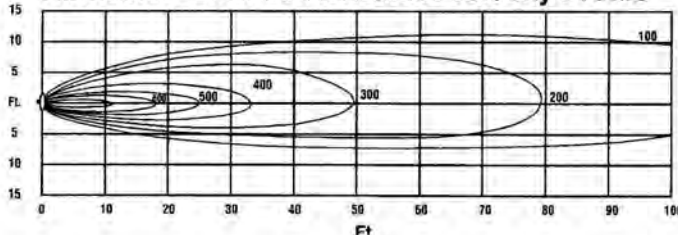
Airmaster® 24HF36 Vertical Velocity Profile



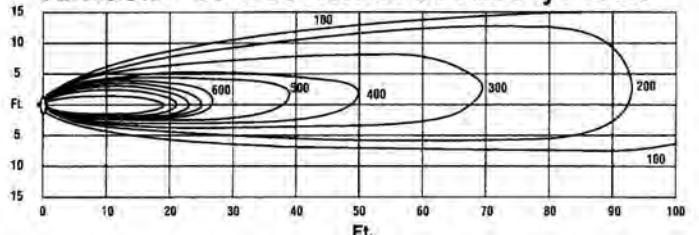
Airmaster® 30HF36 Vertical Velocity Profile



Airmaster® 24HF36 Horizontal Velocity Profile



Airmaster® 30HF36 Horizontal Velocity Profile



Note: Velocity is shown in FPM (Feet Per Minute), divide FPM by 88 for MPH (Miles Per Hour).

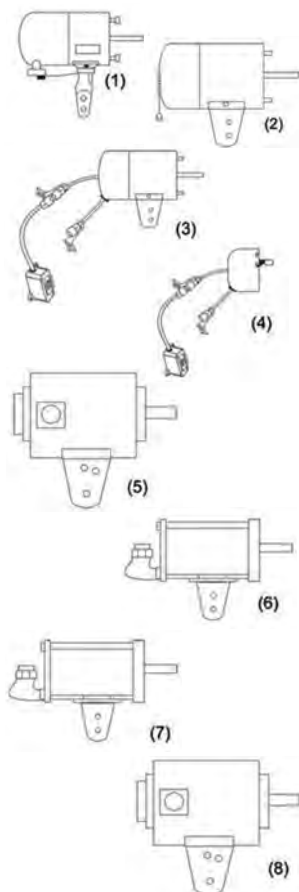
NOTES: "K" suffix indicates unit shipped as individual component parts. May be shipped UPS or Truck.

CORD AND PLUG NOT PROVIDED WITH INDUSTRIAL SPOT COOLER. Must be hard wired. Wiring must conform to all national, state and local codes.

Submittal sheets available at www.airmasterfan.com

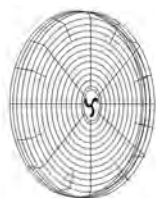
Heavy-Duty Air Circulators

Component Parts/Accessories for Assembled Fan Heads Motors



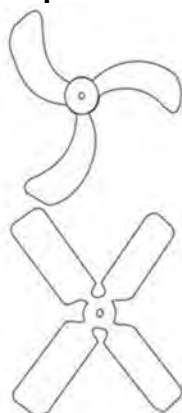
EDP Number	Catalog No.	F.L. AMPS	Ship Wt.	Description	List Price
21021	967J	1.65	24	Single-phase, three speed, 115 volt, 1/5 HP, ball bearing, oscillating, 5/8" shaft (use only on standard 18" and 20" oscillating fans). Use BA-1A Propeller NOTE: Oscillating Motor NOT to be used in UPSIDE-DOWN position (1)	\$681
21007	967-3 SP	2.7	23	Single-phase, three speed, 115 volt, 1/3 HP, ball bearing, oscillating, 5/8" shaft (use only on standard 24" and 30" oscillating fans). Use BA-1A Propeller NOTE: Oscillating Motor NOT to be used in UPSIDE-DOWN position (1)	\$970
21777	Gear Box		18	Gear box assembly for 967J and 967-3SP	\$224
03915	End Dome			End dome assembly for 967J and 967-3SP (includes capacitor)	\$86
21022	642J	1.65	19	Single-phase, three speed, 115 volt, 1/5 HP, ball bearing, non-oscillating, 5/8" shaft (use only on standard 18" and 20" non-oscillating fans). Use BA-1A Propeller (2)	\$344
21017	642-AC3 SP	2.8	19	Single-phase, three speed, 115 volt, 1/3 HP, ball bearing, non-oscillating, 5/8" shaft (use only on standard 24" and 30" non-oscillating fans). Use BA-1A Propeller (2)	\$489
06004	End Dome			End dome assembly for 642J and 642-AC-3SP (includes capacitor)	\$66
21090	642-AC2SDC		19	Single phase, 2-speed, 115 volt, 1/3 HP, ball bearing, non-oscillating motor with 2-speed drop cord switch. Use with BA-1A propeller (3)	\$513
12013	2-SPDCS-HD		2	Modular end dome with drop cord and 2 speed switch. For 642 Motor Only (4).	\$105
21025	1069 B	1.2/6	16	Three-phase, 1 Speed, 208/ 230/460 volt, 1/4 HP, ball bearing, use only on non-oscillating fans. Use BA-1A Propeller (5)	\$948
21035	1169 E	6.9/3.5	48	Single-phase, single-speed, 115/230 volt, 1/4 HP, ball bearing for Class. I Group D and Class. II, Groups E, F & G. (Use only on explosion-proof, non-oscillating fans with BA-1A Propeller). (6)	\$1,160
21040	1269	1.1/.55	33	Three-phase, single-speed, 230/460 volt, 1/4 HP, ball bearing (use only on non-oscillating, explosion-proof fans). Use BA-1A Propeller, Class I Group D, Class II, Groups E, F & G. (7)	\$1,413
21050	1369	4.0/2.0	36	1 HP, three-phase, single-speed 230/460 volt, ball bearing, totally enclosed (use only on high-velocity spot coolers). Use HH-1 Propeller (8)	\$1,227

Guards



EDP Number	Catalog No.	Ship Wt.	Description	List Price
71000	C-1820G	11	18" / 20" guard (use on all 18" and 20" oscillating & non-oscillating fans). Nickel Chrome Plated.	\$115
21070	AC24-G	14	24" guard (use on all 24" oscillating & non-oscillating fans) Nickel Chrome Plated.	\$142
21080	AC30-G	20	30" guard (use on all 30" oscillating & non-oscillating fans) Nickel Chrome Plated.	\$210
70761	AC30GSS	18	30" Stainless steel guard	\$708

Propellers



EDP Number	Catalog No.	Ship Wt.	Description	List Price
21101	18BA-1 4	4	18" Propeller - 5/8" bore. Cast Aluminum.	\$192
21102	20BA-1 5	5	20" Propeller - 5/8" bore. Cast Aluminum.	\$205
21095	24BA-1A 5	5	24" Propeller - 5/8" bore. Cast Aluminum.	\$227
21105	30BA-1A 6	6	30" Propeller - 5/8" bore. Cast Aluminum.	\$241
21120	24HH-1 8	8	24" Propeller, 5/8" bore (use only on 24" high velocity spot coolers.) Galvanized.	\$100
21130	30HH-1 9	9	30" Propeller, 5/8" bore (use only on 30" high velocity spot coolers.) Galvanized.	\$117



Component Parts/Accessories for Assembled Fan Heads
Pedestal (Adjustable)



EDP Number	Catalog No.	Ship Wt.	Description	List Price
21152	8CP2B	13	5' to 8' pedestal (fits all Heavy Duty fans.)	\$125

Floor Base

EDP Number	Catalog No.	Ship Wt.	Description	List Price
21165	A-786B-1	17	For use with 18", 20" & 26" oscillating & non-oscillating fans with 8CP-2B pedestal.	\$116
21166	A786B-2	34	For use with 24", 30" & 32" oscillating & non-oscillating fans with 8CP-2B pedestal.	\$118

Wall Bracket (15° Tilt Built In)

EDP Number	Catalog No.	Ship Wt.	Description	List Price
21187	878W	10	Use for HD air circulator wall mountings. Includes Safety Cable Kit.	\$127

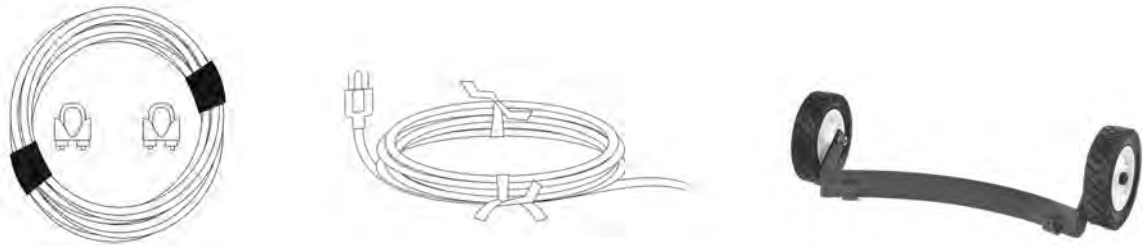
I-Beam Bracket

EDP Number	Catalog No.	Ship Wt.	Description	List Price
21191	700-U	14	Use for HD air circulator I-Beam mountings. Includes Safety Cable Kit.	\$210

Ceiling Bracket

EDP Number	Catalog No.	Ship Wt.	Description	List Price
21203	CK-2	5	Use for HD air circulator ceiling mount (non-oscillating only). Extension pipe not included. Includes Safety Cable Kit.	\$92

Accessories



EDP Number	Catalog No.	Ship Wt.	Description	List Price
21204	Safety Kit	1	12' of 1/16" diameter cable, two clamp and instructions. This safety cable kit is available for retrofit applications.	\$32
12002	DJ-EC-6	1	6' extension cord - for use with 642-AC2SDP Drop Cord Motor - Yellow	\$27
12008	DJ-EC-9	2	9' extension cord - for use with 642-AC2SDP Drop Cord Motor - Yellow	\$29
12009	DJ-EC-12	2	12' extension cord - for use with 642-AC2SDP Drop Cord Motor - Yellow	\$32
70601	AMFW30K	7	Snap on wheel kit with set screw lock for use on all floor model air circulators except I-2030 base. No tools required.	\$82
01633	Cord	2	15' Supply Cord Replacement	\$38
01723	Switch	2	2 Speed/3 Speed Pull Chain Switch	\$19

NOTES:
Explosion Proof and 3 Phase air circulator motors are not supplied with switches or power cords. Must be hard wired.
See page 3 for further Explosion Proof Motor information.

Industrial Air Circulators - 115V

Non-Oscillating Unit Packs



Adjustable Floor Model



Non-Oscillating Ceiling Mount



Non-Oscillating Wall Mount

3 Year Warranty FEATURES

- 5 Mounting Options
- Guard Meets OSHA Standards
- 115V, 60 Hz, 1 Phase, 2 Speed, 1/15 HP (18" & 20") and 3 Speed, 1/3 HP (24" & 30"), Totally Enclosed Air Over Ball Bearing Motors
- Galvanized Steel Propeller
- 15 Foot Three Conductor Supply Cord and Plug
- All Stocked

All Parts Packaged in One UPS Shippable Carton

NON-OSCILLATING PERFORMANCE 115V

Prop Dia.	CFM			RPM			Motor Number	F.L. Amps
	High	Med.	Low	High	Med.	Low		
18"	2520	---	1850	1480	---	1020	I-1820TEM (TEAO)	2.6
20"	2670	---	2035	1650	---	1240	I-1820TEM (TEAO)	2.6
24"	5520	4020	2820	1080	700	540	I-3A (TEAO)	3.0
30"	7185	5300	3415	1080	700	540	I-3A (TEAO)	3.0

Performance Ratings are conducted in accordance with AMCA Standard 230-99.



EDP Number	Catalog No.	Prop Dia.	Fan Style	HP	Ship Wt.	List Price
71760	UPI-24PA2A (3-SP)	24"	Adjustable Floor (S.B.)	1/3	81	\$646
71725	I-24W2A (3-SP)	24"	Wall/Ceiling Model	1/3	44	\$525
71526	UPI-30PA2A (3-SP)	30"	Adjustable Floor (S.B.)	1/3	90	\$685
71726	I-30W2A (3-SP)	30"	Wall/Ceiling Model	1/3	49	\$568

Unit Pack - Motor, specified Style Mounting, Propeller & Guard shipped in a single carton.
S.B. = Solid Base

MOTOR TILT ADJUSTMENTS

TYPE	TILT UP OR DOWN (IN DEGREES)	
	NON-OSCILLATING	
	UP	DOWN
FLOOR	30°	15°
WALL	30°	50°
I-BEAM	30°	15°
CEILING	0°	90°

0° = Horizontal Plane

A safety cable kit is included in all overhead mounted air circulators to prevent the fan from falling if accidentally struck or mounting fails. Single safety cable kits consist of 12 feet of 1/16" diameter cable, 2 cable clamps and instructions.

Non-Oscillating Assembled Fan Heads †



Industrial Head Assembly

EDP Number	Catalog No.	Prop Dia.	Fan Style	HP	PH	Ship Wt.	List Price
37113	I-18TEHA	18"	Head Assembly	1/15*	1	24	\$325
37114	I-20TEHA	20"	Head Assembly	1/15*	1	27	\$339
37209	I-24-2	24"	Head Assembly	1/3	1	37	\$519
37212	I-30	30"	Head Assembly	1/3	1	48	\$561

† Motor, Guard, Propeller Pre-Assembled.

* Motor is 2-speed.

**30" Head Assembly is UPS OverSize 2.



Unit Packs



3 Year Warranty
FEATURES

- 2 Mounting Options
- Guard Meets OSHA Standards
- 115V, 60 Hz, 1/3 HP, 1 Phase, 3 Speed, Totally Enclosed Ball Bearing Motors
- Galvanized Steel Propeller
- 15 Foot Three Conductor Supply Cord and Plug
- All Stocked

All Parts Packaged in One UPS Shippable Carton

OSCILLATING PERFORMANCE 115V

Prop Dia.	CFM			RPM			Motor Number	F.L. Amps
	High	Med.	Low	High	Med.	Low		
24"	5548	4699	4062	1110	958	856	0-3B	3.2
30"	7794	5943	5143	1091	871	759	0-3B	3.2

Performance Ratings are conducted in accordance with AMCA Standard 230-99.



EDP Number	Catalog No.	Prop Dia.	Fan Style	HP	Ship Wt.	List Price
71567	I-24-OAP	24"	Adjustable Floor	1/3	86	\$788
71565	I-24-OIW	24"	Wall Mount*	1/3	57	\$716
71568	I-30-OAP	30"	Adjustable Floor	1/3	95	\$827
71566	I-30-OIW	30"	Wall Mount*	1/3	61	\$770

Wall Mount is supplied with the required Safety Cable Kit. *Used with EDP# 37772 Mounting Bracket. Unit Pack - Motor, Specified Style Mounting, Propeller & Guard shipped in a single carton.

MOTOR TILT ADJUSTMENTS

TYPE	TILT UP OR DOWN (IN DEGREES)	
	OSCILLATING	
	UP	DOWN
FLOOR	20°	20°
WALL	0°	20°

0° = Horizontal Plane

A safety cable kit is included in all overhead mounted air circulators to prevent the fan from falling if accidentally struck or mounting fails. Single safety cable kits consist of 12 feet of 1/16" diameter cable, 2 cable clamps and instructions.

Oscillating Assembled Fan Heads †



Industrial Head Assembly

EDP Number	Catalog No.	Prop Dia.	Fan Style	HP	Ship Wt.	List Price
71610	24-IAC-MGBO	24"	Head Assembly	1/3	46	\$644
38422	30-IAC-MGBO	30"	Head Assembly	1/3	56	\$687

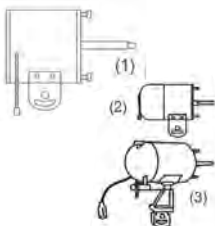
†Motor, Guard, and Propeller Pre-Assembled

Note: Oscillating fan heads are NOT to be used in upside down position.

30" Head Assembly is UPS OverSize 2.

Industrial Air Circulators

Component Parts Motors

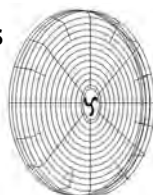


EDP Number	Catalog No.	F.L. AMPS	Ship Wt.	Description	List Price
70013	I-1820TEM	2.6	10	Shaded pole, 1/15HP, 2 Speed, TEAO, 115V, ball bearing, 1/2" shaft diameter, 2 speed switch, 10' cord & plug. (1)	\$226
78019	I-3A	3.0	22	Single-phase, PSC type, 1/3HP, 3-speed, TEAO, 115V, ball bearing, 5/8" shaft dia. 3-speed switch, 15' cord & plug. (2)	\$366
37430	0-3B	3.2	22	Single-phase, three-speed, 115 volt, 1/3HP, TEAO, ball bearing, oscillating, 5/8" shaft dia. (3) Note: Oscillating Motor NOT to be used in the UPSIDE-DOWN position.	\$394

Capacitors

EDP Number	Catalog No.	Ship Wt.	Description	List Price
01683	Capacitor	1	Capacitor for 78019 motors.	\$11
01600	Capacitor	1	Capacitor for 37430 motors.	\$11

Guards



EDP Number	Catalog No.	Ship Wt.	Description	List Price
71000	C-1820G	11	18"-20" guard - use on I-1820TEM motor.	\$115
21070	AC24-G	14	24" guard.	\$142
21080	AC30-G	20	30" guard.	\$210

Propellers - Galvanized



EDP Number	Catalog No.	Ship Wt.	Description	List Price
70740	I-18B	3	18" propeller - use on I-1820TEM motor.	\$96
72100	I-20B5	3	20" propeller - use on I-1820TEM motor.	\$115
73300	I-24B2A2	5	24" propeller.	\$118
73400	I-30B2A	5	30" propeller.	\$129

Pedestals



EDP Number	Catalog No.	Ship Wt.	Description	List Price
73101	I-2030AP	12	5' to 8' adjustable floor model.	\$78

Bases



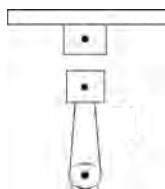
EDP Number	Catalog No.	Ship Wt.	Description	List Price
21153	I-2030B	24	Open base. (1)	\$110
21166	A786B-2	34	Solid base. (2)	\$118

Wall/Ceiling Mount Bracket



EDP Number	Catalog No.	Ship Wt.	Description	List Price
75002	C-2030W	5	For use with non-oscillating industrial air circulators. NOT FOR USE WITH OSCILLATING MOTORS. Safety Cable Kit included.	\$61

Ceiling Mount Bracket



EDP Number	Catalog No.	Ship Wt.	Description	List Price
11456	DJ-CM	7	Ceiling mount for use with industrial 20", 24" and 30" non-oscillating fans. Includes Safety Cable Kit. NOT FOR USE WITH OSCILLATING MOTORS.	\$95



Component Parts

Wall Mount Brackets



EDP Number	Catalog No.	Ship Wt.	Description	List Price
37772	IAC-WB	7	Use with industrial oscillating and non-oscillating motors. Includes Safety Cable Kit.	\$66

Suspension Mount Bracket



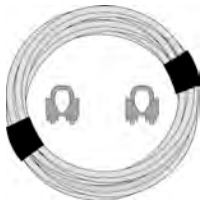
EDP Number	Catalog No.	Wt.	Description	List Price
75003	C-2030S	3	Use with industrial & commercial & non-oscillating air circulators. Includes Safety Cable Kit.	\$47

I-Beam Mount Bracket



EDP Number	Catalog No.	Wt.	Description	List Price
37844	IAC-BM-1	13	For use with I-Beam mounting. Includes Safety Cable Kit. NOT FOR USE WITH OSCILLATING MOTORS	\$145

Safety Cable



EDP Number	Catalog No.	Wt.	Description	List Price
21204	Safety Kit	3	12' of 1/16" diameter cable, two (2) cable clamps and instructions	\$32

Accessories



EDP Number	Catalog No.	Wt.	Description	List Price
70601	AMFW30K	5	Snap-on wheel kit with set screw lock for 18" to 30" Airmaster Pedestal Fans, except I-2030B.	\$82
01723	Switch	2	2 Speed/3 Speed Pull Chain Switch	\$19

Commercial Air Circulators - 115V

Pedestal & Wall/Ceiling Mounts

Non-Oscillating

Non-Oscillating Models - Unit Packs 1/4 HP



Adjustable Floor Model
Solid Base



Non-Oscillating
Ceiling Mount



Non-Oscillating
Wall Mount

2 Year Warranty

FEATURES

- Models are UPS Shippable in One Carton
- Pedestal Models Adjust 43" - 63"; 26" Base Diameter
- Wall/Ceiling Mount Models Include Safety Cable
- All Stocked
- 115V, 1/4 HP Non-Oscillating, 1 Phase, 3 Speed, Totally Enclosed Air Over Ball Bearing Motor
- Galvanized Steel Propeller
- 15' Supply Cord and Three Prong Plug Included

PERFORMANCE 115V

Prop Dia.	CFM			RPM			F.L. Amps
	High	Med.	Low	High	Med.	Low	
24"	4400	3460	2460	1100	800	600	3.5
30"	6100	4400	2700	1100	800	600	3.5



EDP Number	Catalog No.	Prop Dia.	Fan Style	HP	Ship Wt.	List Price
71584	CA24APE	24"	Adjustable Floor (S.B.)	1/4	82	\$514
71572	CA24WC	24"	Wall/Ceiling Mount	1/4	42	\$403
71586	CA30APE	30"	Adjustable Floor (S.B.)	1/4	87	\$528
71573	CA30WC	30"	Wall/Ceiling Mount	1/4	49	\$426

Unit Pack - Motor specified Style Mounting, Propeller & Guard shipped in a single carton.

A safety cable kit is included in all overhead mounted air circulators to prevent the fan from falling if accidentally struck or mounting fails. Single safety cable kits consist of 12 feet of 1/16" diameter cable, 2 cable clamps and instructions.

MOTOR TILT ADJUSTMENTS

TYPE	TILT UP OR DOWN (IN DEGREES)	
	NON-OSCILLATING	
	UP	DOWN
FLOOR	30°	15°
WALL	30°	50°
I-BEAM	30°	15°
CEILING	0°	90°

0° = Horizontal Plane

Non-Oscillating Head Assemblies



Non-Oscillating
Head Assembly

PERFORMANCE 115V

Prop Dia.	CFM			RPM			F.L. Amps
	High	Med.	Low	High	Med.	Low	
18"	2520	---	1850	1480	---	1020	2.6
20"	2670	---	2035	1615	---	1240	2.6
24"	4400	3460	2460	1100	800	600	3.5
30"	6100	4400	2700	1100	800	600	3.5

EDP Number	Catalog No.	Prop Dia.	Fan Style	HP	Ship Wt.	List Price
37113	I-18TEHA	18"	Head Assembly	1/15*	24	\$325
37114	I-20TEHA	20"	Head Assembly	1/15*	25	\$339
71590	CA24	24"	Head Assembly	1/4	39	\$376
71591	CA30	30"	Head Assembly	1/4	48	\$388

Motor, Guard and Propeller Pre-assembled.

* Motor is 2 speed.

**30" Head Assembly is UPS OverSize 2.

FOR 18" or 20" FLOOR / COUNTER MODEL FANS – SELECT ASSEMBLED HEAD; PEDESTAL - 73103 (PAGE 11); AND BASE - 21153 (PAGE 11)



**Pedestal & Wall/Ceiling Mounts
Oscillating Models**



Oscillating Adjustable Pedestal



Oscillating Wall Mount

2 Year Warranty - Affordable Quality

FEATURES

- Packaged in One UPS Shippable Carton
- Adjustable Pedestal (5' - 8')
- 32" Diameter Base
- Wall Mounts with Safety Cable Included
- All Stocked
- 115V, 1/3 HP, Oscillating, 1 Phase, 3 Speed, Totally Enclosed Air Over Ball Bearing Motor
- Galvanized Steel Propeller
- 15' Supply Cord and Three Prong Plug Included

PERFORMANCE 115V

Prop Dia.	CFM			RPM			F.L. Amps
	High	Med.	Low	High	Med.	Low	
24"	4400	3460	2460	1100	800	600	3.2
30"	6100	4400	2700	1100	800	600	3.2



EDP Number	Catalog No.	Prop Dia.	Fan Style	HP	Ship Wt.	List Price
71580	CA240AP	24"	Adjustable Floor (S.B.)	1/3	78	\$649
71583	CA240W	24"	Wall Mount	1/3	46	\$480
71581	CA300AP	30"	Adjustable Floor (S.B.)	1/3	95	\$678
71582	CA300W	30"	Wall Mount	1/3	57	\$511

Unit Pack = Motor, Specified Style Mounting, Propeller & Guard shipped in a single carton

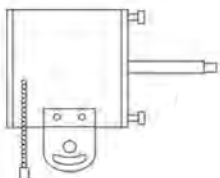
TYPE	TILT (IN DEGREES) OSCILLATING	
	UP	DOWN
FLOOR	20°	00°
WALL	0°	20°

0° = Horizontal Plane

A safety cable kit is included in all overhead mounted air circulators to prevent the fan from falling if accidentally struck or mounting fails. Single safety cable kits consist of 12 feet of 1/16" diameter cable, 2 cable clamps and instructions.

Commercial Air Circulators

Component Parts Motors



EDP Number	Catalog No.	Ship Wt.	Description	List Price
78018	C-1A	19	Commercial Non-Oscillating motor, ¼ HP, 3.5 Amp, 1 Phase, 3 Speed, TEAO, ball bearing, 5/8" dia. shaft, 15' Power Cord.	\$294
37430	0-3B	23	Commercial Oscillating motor, 1/3 HP, 1 Phase, 3 Speed, 115V, TEAO, ball bearing, 5/8" dia. shaft. NOTE: Oscillating motor not to be used in UPSIDE-DOWN position.	\$394
70013	I-1820TEM	10	Shaded pole, 1/15HP, 2 Speed, TEAO, 115V, ball bearing, 1/2" shaft diameter, 2-Sp. switch, 10' cord & plug.	\$226

Capacitors

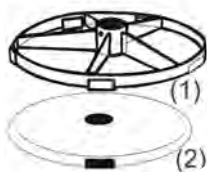
EDP Number	Catalog No.	Ship Wt.	Description	List Price
01683	Capacitor	1	Capacitor for 78019 motors.	\$11
01600	Capacitor	1	Capacitor for 37430 motors.	\$11

Pedestals



EDP Number	Catalog No.	Ship Wt.	Description	List Price
73103	C-2030NP	7	5' high floor model. Top section provides 33½" counter model. Use only with I-2030B Base. (1)	\$63
73101	I-2030AP	12	5' to 8' adjustable floor model. (2)	\$78

Bases



EDP Number	Catalog No.	Ship Wt.	Description	List Price
77000	C-2030B	17	Use with C-2030NP. (1) Open base for counter model.	\$123
21153	I-2030B	24	Open base. (1)	\$110
21165	A-786B-1	17	Solid base, 26" dia. (2)	\$116
21166	A786B-2	34	Solid base, 32" dia. (2)	\$118

Wall/Ceiling Mount Bracket



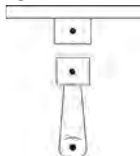
EDP Number	Catalog No.	Ship Wt.	Description	List Price
75002	C-2030W	5	For use with non-oscillating industrial air circulators. NOT FOR USE WITH OSCILLATING MOTORS. Safety Cable Kit included.	\$61

Wall Mount Bracket



EDP Number	Catalog No.	Ship Wt.	Description	List Price
37772	IAC-WB	7	Recommended for use with oscillating and non-oscillating motors. Includes Safety Cable Kit.	\$66

Ceiling Mount Bracket



EDP Number	Catalog No.	Ship Wt.	Description	List Price
11456	DJ-CM	7	Ceiling mount for use with industrial 20", 24" and 30" non-oscillating fans. Includes Safety Cable Kit. (2) NOT FOR USE WITH OSCILLATING MOTORS.	\$95

Suspension Mount Bracket



EDP Number	Catalog No.	Ship Wt.	Description	List Price
75003	C-2030S	3	Use with commercial & industrial non-oscillating air circulators. Includes Safety Cable Kit.	\$47



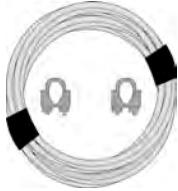
Component Parts

I-Beam Mount Bracket



EDP Number	Catalog No.	Wt.	Description	List Price
37784	IAC-BM-1	13	For use with I-Beam mounting. Includes Safety Cable Kit. NOT FOR USE WITH OSCILLATING MOTORS	\$145

Safety Cable



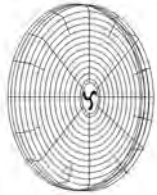
EDP Number	Catalog No.	Wt.	Description	List Price
21204	Safety Kit	3	12' of 1/16" diameter cable, two (2) cable clamps and instructions	\$32

Accessories



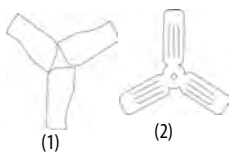
EDP Number	Catalog No.	Wt.	Description	List Price
70601	AMFW30K	5	Snap-on wheel kit with set screw lock for 18" to 30" Airmaster Pedestal Fans, except I-2030B.	\$82
01723	Switch	2	2 Speed/3 Speed Pull Chain Switch	\$19

Guards



EDP Number	Catalog No.	Ship Wt.	Description	List Price
71000	C-1820G	11	18"-20" guard - use on I-1820TEM motor.	\$115
21070	AC24-G	14	24" guard.	\$142
21080	AC30-G	20	30" guard.	\$210

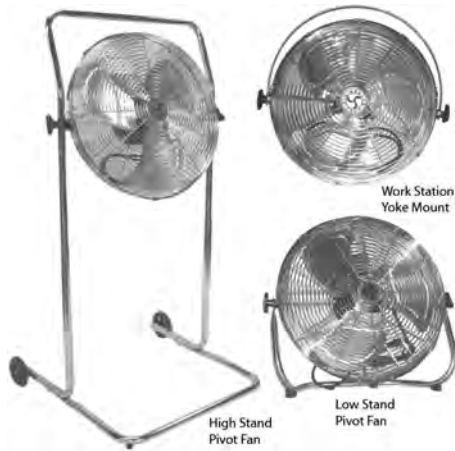
Propellers



EDP Number	Catalog No.	Ship Wt.	Description	List Price
70740	I-18B	3	18" propeller - use on I-1820TEM motor. (1)	\$96
72100	I-20B5	3	20" propeller - use on I-1820TEM motor. (1)	\$115
72458	C-24B2	24"	Propeller with 5/8" bore, includes bushing to adapt propeller to fit motors with 1/2" shaft (2).	\$118
73058	C-30B	7	30" Propeller with 5/8" bore, includes bushing to adapt propeller to fit motors with 1/2" shaft. (2)	\$129

Air Circulators - 115V

Pivot Stands & Work Stations



1 Year Warranty

FEATURES

- Available in 12", 18", and 20" Propeller Sizes
- Four Position Easy Reach Switch with 10' Three Conductor Cord and Plug
- High Stand and Yoke Mount Models Adjust 360°
- Nickel Chrome Guards Meet OSHA Regulations
- Work Station Yoke Mount Attaches to any Surface with 1 Bolt or Lag Screw
- 115V, 1 Phase, 3 Speed, Open Drip Proof, Ball Bearing Motor
- Aluminum Propellers

PERFORMANCE 115V

Prop Dia.	CFM			RPM			F.L. Amps
	High	Med.	Low	High	Med.	Low	
12"	1448	1165	953	1500	1350	1180	0.5
18"	2966	2437	2013	1600	1350	1180	1.65
20"	3390	2755	2295	1600	1350	1180	1.9

Performance Ratings are conducted in accordance with AMCA Standard 230-99.



EDP Number	Catalog No.	Prop Dia.	Fan Style	HP	Ship Wt.	List Price
78973	I-12LS	12"	Low Stand Pivot Fan	1/16	10	\$141
78971	I-12YM	12"	Work Station Yoke Mount	1/16	11	\$143
78974	I-18LS	18"	Low Stand Pivot Fan	1/8	15	\$194
78969	I-18HS	18"	High Stand Pivot Fan*	1/8	23	\$252
78972	I-18YM	18"	Work Station Yoke Mount	1/8	17	\$198
78975	I-20LS	20"	Low Stand Pivot Fan	1/5	17	\$205
78970	I-20YM	20"	Work Station Yoke Mount	1/5	19	\$210

* 4" diameter wheels

Totally Enclosed Motor High Velocity Low Stand Fan



1 Year Warranty

FEATURES

- 12" & 18" Propeller Size
- Four Position Easy Reach Switch with 10' Three Conductor Cord and Plug
- Adjusts 360°
- Nickel Chrome Guards
- Meet OSHA Regulations
- 115V, 1 Phase, 3 Speed, Totally Enclosed, Ball Bearing Motor
- Chrome Yoke Mount Included
- Aluminum Propellers

PERFORMANCE 115V

Prop Dia.	CFM			RPM			F.L. Amps
	High	Med.	Low	High	Med.	Low	
12"	1855	1550	1300	1450	1250	1050	.35
18"	2996	2437	2013	1600	1350	1180	1.65

High Velocity Low Stand Pivot Fan and Yoke Mount, Totally Enclosed Motor

Both Mounts in Same Box



EDP Number	Catalog No.	Prop Dia.	Fan Style	HP	Ship Wt.	List Price
78985	1-12TELS	12"	Low Stand Pivot Fan	1/16	10	\$ 157
78984	1-18TELS	18"	Low Stand Pivot Fan	1/8	20	\$219



Pedestal & Wall/Ceiling Mounts



1 Year Warranty - Meets OSHA Standards

FEATURES

- Non-Oscillating, 1/4 HP, 3 speed, 120V
- 1PH, ball bearing, open ventilated
- Permanently lubricated permanent split capacitor
- Pull Chain, SJT type 3 conductor, 9-1/2' long cord
- Epoxy coated steel with retaining clips
- Aluminum blades
- Pedestal adjusts center of fan from 44" to 62"
- Wall/Ceiling mount includes safety cable



PERFORMANCE 120V

SIZE	HIGH	CFM			AMPS HIGH
		MED	LOW		
30"	600	5500	4800		2.4

EDP Number	Catalog No.	Prop Dia.	Fan Style	Ship Wt.	List Price
71531	LC30AP	30"	Pedestal Mount	62	\$376
71533	LC30WC	30"	Wall/Ceiling Mount	37	\$292

Because these circulators do not have totally enclosed motors, they should be used in clean and dry commercial applications, such as schools, offices or warehouses.



Heavy Duty Safety Yellow Air Circulators

115V Models



Pedestal Mount

5 Year Warranty - High Visibility, Low Maintenance

FEATURES

- Safety Yellow Color
- 6 Mounting Options
- Hinged Guard for Easy Cleaning
- Meets OSHA Safety Standards
- 115V, 1/3 HP, 1 Phase, Totally Enclosed, 2 Speed, Ball Bearing Motor
- **Patented Modular Motor End Dome, For Easy Maintenance**
- Designed for Automotive, Food Processing and General Factory Operations
- Non-Oscillating

PERFORMANCE 115V

PULL CHAIN SWITCH

DROP CORD SWITCH

Prop Dia	CFM		RPM		Motor No.	Motor No.
	High	Low	High	Low		
20"	3637	3317	1150	1050	DJ-110V-HEM	DJ-110V-HEM-DCS-2
24"	5280	3980	1120	840	DJ-110V-HEM	DJ-110V-HEM-DCS-2
30"	6915	5000	1115	780	DJ-110V-HEM	DJ-110V-HEM-DCS-2

Performance Ratings are conducted in accordance with AMCA Standard 230-99



2 Speed Pull Chain Switch

All 20" Kitted components consist of: 11031 (DJ-110V-HEM Motor); 12212 (DJ-20HGB Guard with Prop) plus mounting listed below.

All 24" Kitted components consist of: 11031 (DJ-110V-HEM Motor); 11080 (DJ-24HGB Guard with Prop) plus mounting listed below.

All 30" Kitted components consist of: 11031 (DJ-110V-HEM Motor); 11070 (DJ-30 HGB Guard with Prop) plus mounting listed below.

EDP Number	Catalog No.	Prop Dia.	Fan Style	HP	Ship Wt.	List Price
12200K	DJ-PF20-2SPH	20"	Pedestal Mount 11710 (DJ-PB/1 Base) 11750 (DJ-PC Pedestal)	78	1/3	\$927
12202K	DJ-AKF20-2SPH	20"	Adapter Kit Model 11454 (DJ-AK Adapter Kit with Safety Cable)	46	1/3	\$709
12204K	DJ-WMF20-2SPH	20"	Wall Mount 37772 (IAC-WM Wall Mount with Safety Cable)	51	1/3	\$784
12206K	DJ-CMF20-2SPH	20"	Ceiling / Bench Mount 11456 (DJ-CM Ceil./Bench Mount with Safety Cable)	51	1/3	\$757
12208K	DJ-CCM20-2SPH	20"	Channel Mount 11453 DJ-CCM (Channel Beam Mt. with Safety Cable)	58	1/3	\$820
12210K	DJ-BMF20-2SPH	20"	Beam Mount 37784 (IAC-BM-1 Beam Mount with Safety Cable)	58	1/3	\$796
10501K	DJ-PF24-2SPH	24"	Pedestal Mount 11710 (DJ-PB/1 Base) 11750 (DJ-PC Pedestal)	82	1/3	\$945
10101K	DJ-AKF24-2SPH	24"	Adapter Kit Model 11454 (DJ-AK Adapter Kit with Safety Cable)	50	1/3	\$732
10401K	DJ-WMF24-2SPH	24"	Wall Mount 37772 (IAC-WM Wall Mount with Safety Cable)	55	1/3	\$804
10301K	DJ-CMF24-2SPH	24"	Ceiling / Bench Mount 11456 (DJ-CM Ceil./Bench Mount with Safety Cable)	55	1/3	\$780
10203K	DJ-CCM24-2SPH	24"	Channel Mount 1453 DJ-CCM (Channel Beam Mt. with Safety Cable)	62	1/3	\$843
10204K	DJ-BMF24-2SPH	24"	Beam Mount 37784 (IAC-BM-1 Beam Mount with Safety Cable)	62	1/3	\$817
10551K	DJ-PF30-2SPH	30"	Pedestal Mount 11710 (DJ-PB/1 Base) 11750 (DJ-PC Pedestal)	89	1/3	\$964
10151K	DJ-AKF30-2SPH	30"	Adapter Kit Model 11454 (DJ-AK Adapter Kit with Safety Cable)	54	1/3	\$751
10451K	DJ-WMF30-2SPH	30"	Wall Mount 37772 (IAC-WM Wall Mount with Safety Cable)	59	1/3	\$822
10351K	DJ-CMF30-2SPH	30"	Ceiling / Bench Mount 11456 (DJ-CM Ceil./Bench Mount with Safety Cable)	59	1/3	\$781
10253K	DJ-CCM30-2SPH	30"	Channel Mount 11453 DJ-CCM (Channel Beam Mt. with Safety Cable)	66	1/3	\$860
10254K	DJ-BMF30-2SPH	30"	Beam Mount 37784 (IAC-BM-1 Beam Mount with Safety Cable)	66	1/3	\$838



Heavy Duty Safety Yellow Air Circulators

115V Models

2 Speed Drop Cord Switch

All 20" Kitted components consist of: 12005 (DJ-110V-HEMDCS-2 motor); 12212 (DJ-20HGB Guard with Prop) plus mounting listed below.

All 24" Kitted components consist of: 12005 (DJ-110V-HEMDCS-2 Motor); 11080 (DJ-24HGB Guard with Prop) plus mounting listed below.

All 30" Kitted components consist of: 12005 (DJ-110V-HEMDCS-2 Motor); 11070 (DJ-30HGB Guard with Prop) plus mounting listed below.

EDP Number	Catalog No.	Prop Dia.	Fan Style	HP	Ship Wt.	List Price
12201K	DJ-PF20-2SPH-DC	20"	Pedestal Mount 11710 (DJ-PB/1 Base) 11750 (DJ-PC Pedestal)	81	1/3	\$989
12203K	DJ-AKF20-2SPH-DC	20"	Adapter Kit Model 11454 (DJ-AK Adapter Kit with Safety Cable)	49	1/3	\$773
12205K	DJ-WMF20-2SPH-DC	20"	Wall Mount 37772 (IAC-WM Wall Mount with Safety Cable)	54	1/3	\$846
12207K	DJ-CMF20-2SPH-DC	20"	Ceiling / Bench Mount 11456 (DJ-CM Ceil./Bench Mount with Safety Cable)	54	1/3	\$819
12209K	DJ-CCM20-2SPH-DC	20"	Channel Mount 11453 DJ-CCM (Channel Beam Mt. with Safety Cable)	61	1/3	\$885
12211K	DJ-BMF20-2SPH-DC	20"	Beam Mount 37784 (IAC-BM-1 Beam Mount with Safety Cable)	61	1/3	\$858
10731K	DJ-PF24-2SPH-DC	24"	Pedestal Mount 11710 (DJ-PB/1 Base) 11750 (DJ-PC Pedestal)	85	1/3	\$1,008
10733K	DJ-AKF24-2SPH-DC	24"	Adapter Kit Model 11454 (DJ-AK Adapter Kit with Safety Cable)	53	1/3	\$793
10740K	DJ-WMF24-2SPH-DC	24"	Wall Mount 37772 (IAC-WM Wall Mount with Safety Cable)	58	1/3	\$868
10738K	DJ-CMF24-2SPH-DC	24"	Ceiling / Bench Mount 11456 (DJ-CM Ceil./Bench Mount with Safety Cable)	58	1/3	\$842
10735K	DJ-CCM24-2SPH-DC	24"	Channel Mount 1453 DJ-CCM (Channel Beam Mt. with Safety Cable)	65	1/3	\$906
10750K	DJ-BMF24-2SPH-DC	24"	Beam Mount 37784 (IAC-BM-1 Beam Mount with Safety Cable)	65	1/3	\$882
10732K	DJ-PF30-2SPH-DC	30"	Pedestal Mount 11710 (DJ-PB/1 Base) 11750 (DJ-PC Pedestal)	92	1/3	\$1,030
10734K	DJ-AKF30-2SPH-DC	30"	Adapter Kit Model 11454 (DJ-AK Adapter Kit with Safety Cable)	57	1/3	\$814
10741K	DJ-WMF30-2SPH-DC	30"	Wall Mount 37772 (IAC-WM Wall Mount with Safety Cable)	62	1/3	\$889
10739K	DJ-CMF30-2SPH-DC	30"	Ceiling / Bench Mount 11456 (DJ-CM Ceil./Bench Mount with Safety Cable)	62	1/3	\$858
10736K	DJ-CCM30-2SPH-DC	30"	Channel Mount 11453 DJ-CCM (Channel Beam Mt. with Safety Cable)	69	1/3	\$927
10737K	DJ-BMF30-2SPH-DC	30"	Beam Mount 37784 (IAC-BM-1 Beam Mount with Safety Cable)	68	1/3	\$898

Safety Head Assemblies 1/3HP

EDP Number	Catalog No.	Ship Wt.	List Price
12553	DJ24 Head Assy.	58	\$733
12554	DJ30 Head Assy.	55	\$752

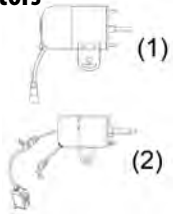
A safety cable kit is included in all overhead mounted air circulators to prevent the fan from falling if accidentally struck or mounting fails.

Single safety cable kits consist of 12 feet of 1/16" diameter cable, 2 cable clamps and instructions.



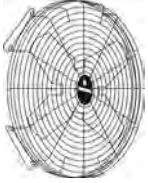
Heavy Duty Yellow Air Circulators

Component Parts Motors



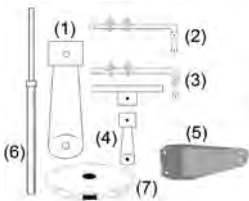
EDP Number	Catalog No.	Ship Wt.	Description	List Price
11031	DJ-110V-HEM	19	High efficiency, 115V, 2.7A, 2 speed, 1/2" shaft dia., 1/3 HP, TE ball bearing motor with modular end dome and recessed pull chain.	\$435
12005	DJ-110V-HEM-DCS2	19	Above 115V, 2.7 Amp, 1/3 HP, TE motor with 2 speed drop cord switch. (2)	\$517

Guard & Propeller Components



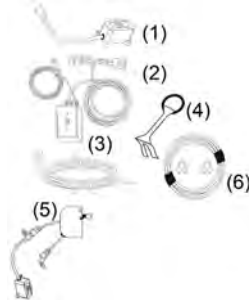
EDP Number	Catalog No.	Ship Wt.	Description	List Price
12212	DJ-20HGB	20	20" Hinged Guard (yellow PVC coated) and Propeller.	\$276
11080	DJ-24HGB	30	24" Hinged Guard (yellow PVC coated) and Propeller.	\$298
11070	DJ-30HGB	32	30" Hinged Guard (yellow PVC coated) and Propeller.	\$317

Mounting Components



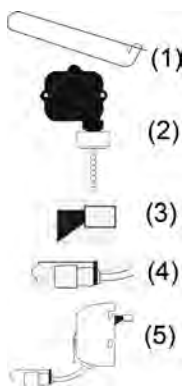
EDP Number	Catalog No.	Ship Wt.	Description	List Price
11454	DJ-AK	3	Adapter Kit - Used with 20, 24 or 30 inch fans. (1)	\$50
11453	DJ-CCM	14	Channel Mount - Used with 20, 24 or 30 inch fans. (2)	\$159
37784	IAC-BM-1	13	Beam Mount - Used with 20, 24 or 30 inch fans. (3)	\$145
11456	DJ-CM	7	Ceiling/Bench Mount - Used with 20, 24 or 30 inch fans. (4)	\$95
37772	IAC-WB	7	Wall Mount - Used with 20, 24 or 30 inch fans. (5)	\$66
11750	DJ-PC	12	Yellow Pedestal Column - Used with 20, 24 or 30 inch fans. (6)	\$104
11710	DJ-PB	33	Yellow Pedestal Base - Used with 20, 24 or 30 inch fans. (7)	\$160

Safety Fan Accessories



EDP Number	Catalog No.	Ship Wt.	Description	List Price
12001	DJ-DCS-2	1	Drop cord with 2 speed switch. (1)	\$47
12191	DJ-DCS	2	15' drop cord with 1 speed switch (Patent #4,672,234). (2)	\$156
12002	DJ-EC-6	1	6' extension cord - for use with 2 speed drop cord switch. (3)	\$27
12008	DJ-EC-9	1	9' extension cord - for use with 2 speed drop cord switch. (3)	\$29
12009	DJ-EC-12	1	12' extension cord - for use with 2 speed drop cord switch. (3)	\$32
12000	DJ-MMS-DCS-2	2	Modular end dome with drop cord and 2 speed switch. (5)	\$104
03033	Cord Lock	1	Cord Lock Assembly (4)	\$7
21204	Safety Kit	3	Safety cable kit - 12' of 1/16" cable and 2 clamps. (6)	\$32

Safety Fan Replacement Parts



EDP Number	Catalog No.	Ship Wt.	Description	List Price
12219	DJ-HSP20	1	Guard safety pins. (set of 3) (1) For 20" fan.	\$13
11010	DJ-HSP	1	Guard safety pins. (set of 4) (1) For 24" & 30" fans.	\$17
01750	Guard Pin	1	Guard safety pins. (1 pin only) (1) For 24" & 30" fans.	\$13
01723	Switch	2	Switch - pull chain. (2)	\$19
01518	DJ-CAP-HE	1	Capacitor - 7.5 MF. (3)	\$20
12192	DJ-CRP	2	Cord and plug. (4)	\$37
12251	DJMMS-HE	1	Modular Motor Shell (complete with switch, 7.5 MF capacitor & male connector.) (5)	\$86

NOTE: Adapter Kit is used to adapt fan head to 1½" (11½ th reads/inch) pipe mounts.



115V Models



Pedestal Mount

2 Year Warranty - Affordable Quality

FEATURES

- 3 Mounting Options
- Meets OSHA Safety Standards
- Galvanized Steel Propeller
- 15' Supply Cord Included
- Nickel-Chrome Plated Hinged Guard for ease of cleaning
- 115V, 1/3 HP, 1 Phase, Totally Enclosed, Ball Bearing Motor, Non-Oscillating
- Drop Cord Models 2 Speed, Pull Chain Models 3 Speed
- Patented Black Modular Motor End Dome
- Designed for Automotive, Schools, Warehouses, General Factory Operations and Any dusty/dirty environment.



DROP CORD SWITCH PERFORMANCE 115V

Prop Dia.	CFM	RPM	Motor No.	F.L. Amps
30"	6100/2700	1100/600	642-AC2SDC	2.7

PULL CHAIN SWITCH PERFORMANCE 115V

Prop Dia.	CFM	RPM	Motor No.	F.L. Amps
30"	6100/4400/2700	1100/800/600	642-AC 3 SP	2.8

Performance Ratings are conducted in accordance with AMCA Standard 230-99

For 2-Speed Drop Cord Switch: All 30" Kitted components consist of: 21090 (642-AC2SDC Motor); 21089 (COM30-HG&P Hinged Guard & Prop) plus mounting below.

For 3-Speed Pull Chain Switch: All 30" Kitted components consist of: 21017 (642-AC 3 SP Motor); 21089 (COM30-HG&P Hinged Guard & Prop) plus mounting below.

2-Speed Drop Cord Switch

EDP Number	Catalog No.	Prop Dia.	Fan Style	HP	Ship Wt.	List Price
71503	CA30HGDCS	30"	Head Assy	49	1/3	\$653
71504K	CA30HGDCSIB	30"	I-Beam	65	1/3	\$855
71506K	CA30HGDCSPB	30"	Pedestal	92	1/3	\$885
71507K	CA30HGDCWM	30"	Wall	62	1/3	\$776

3-Speed Pull Chain Switch

EDP Number	Catalog No.	Prop Dia.	Fan Style	HP	Ship Wt.	List Price
71500	CA30HGPC	30"	Head Assy	49	1/3	\$545
71501K	CA30HGPCWM	30"	Wall	62	1/3	\$668
71502K	CA30HGPCPB	30"	Pedestal	92	1/3	\$777
71505K	CA30HGPCIB	30"	I-Beam	65	1/3	\$747

Component Parts

EDP Number	Catalog No.	Ship Wt.	Description	List Price
01515	DCD	2	Dome only for drop cord	\$66
01633	Cord	2	15' Power Cord	\$38
01723	Switch	2	Switch-Pull Chain	\$19
01754	GUARD-SAFETY PIN	1	Safety Pin - 1 only	\$17
12013	2-SPDCS	2	End Dome with drop cord and 2 speed switch	\$105
12015	DJ-DCS-23	1	Drop Cord with 2 speed switch	\$47
21017	642-AC 3 SP	19	Pull Chain Motor	\$489
21089	COM30-HG&P	32	30" Hinged Guard and Prop - Chrome	\$295
21090	642-AC2SDC	19	Drop Cord Motor	\$513
21152	8CP-2B HD	13	Pedestal	\$125
21166	A786B-2	34	Solid 32" floor base	\$118
21187	878W	10	Tilted Wall Bracket with Safety Cable	\$127
21191	700-U	14	I-Beam Bracket with Safety Cable	\$210
21204	Safety Kit	1	Safety Cable	\$32

NOTES: "K" suffix indicates unit shipped as individual component parts. May be shipped UPS or Truck .

A safety cable kit is included in all overhead mounted air circulators to prevent the fan from falling if accidentally struck or mounting fails. Single safety cable kits consist of 12 feet of 1/16" diameter cable, 2 cable clamps and instructions

Misting Barrel & Pedestal Fans - 115V

2 Speed Motor

**1 Year Warranty - Can Lower Ambient Air Temperature to the Dew Point
Commercial, Industrial, Agricultural & Residential Applications**

FEATURES

- Patented 3 Nozzle Misting Head
- Variable Water Output - up to 6 Gallons/Hour
- Air Pattern of 60' Long x 20' Wide
- Non-Oscillating Indoor/Outdoor 115V, 1/3 HP, 1 Phase, 2 Speed, Ball Bearing Motor with Waterproof 2 Speed Switch
- 10 Foot Cord and Plug Included
- Dual Point Filtering System - Stainless Steel In-Line Filter & a Filter for Large Objects at the Hose Connection
- Mounting Yoke on Barrel Fan Allows for 360° Tilt
- Metal Parts Epoxy Powder Coated



Pedestal Fan-White



PERFORMANCE 115V

Prop Dia.	Fan Style	CFM	RPM
30"	Pedestal Barrel	8800/6000	1140/950
30"	Pedestal Fan	6800/4100	1100/950

Performance Ratings are conducted in accordance with AMCA Standard 230-99.

EDP Number	Catalog No.	Prop Dia.	Fan Style	HP	Ship Wt.	List Price
60031	AMF-30-B	30"	Pedestal Barrel	1/3	96	\$1,185
60034	AMF-30-1	30"	Pedestal Fan	1/3	75	\$1,009



Pedestal Barrel-Blue



**Stainless Steel Food Service 115V and 115/230V Air Circulator
115V (20") & 115/230V (24" & 30") Unit Pack Models**



Stainless Steel Floor Model



Stainless Steel Wall Model

**10 Year Warranty - BISSC Approved
FEATURES**

- Constructed with Electro-polished 304 Stainless Steel Meets the USDA and the NSF Requirements for "Food Zones".
- All Stainless Steel Motor
- Motor Washdown Specification is IEC-IP55
- Non-Oscillating, 115V, 1/15 HP (20") and 115/230V, 1/4 HP(24"), 1/3 HP (30"), 1 Phase, TENV, Ball Bearing
- Designed to Withstand Moist/Wet Environments, High Pressure Cleaning with Concentrated Caustic Solutions without Affecting Performance or Function.
- Available in Non-Adjustable Pedestal or Wall Mount

PERFORMANCE 115V (20") & 115/230V (24" & 30")

Prop Dia.	CFM	RPM	Motor No.
20"	2670	1600	5B
24"	5220	1075	4G
30"	8800	1075	4H

Performance Ratings are conducted in accordance with AMCA Standard 230-99.



EDP Number	Catalog No.	Prop Dia.	Fan Style	HP	PH	Ship Wt.	List Price
70834	PWIISS20	20"	Floor Model	1/15	1	69	\$2,408
70833	WWIISS20	20"	Wall Model	1/15	1	52	\$2,123
70836	PWIISS24	24"	Floor Model	1/4	1	79	\$2,834
70835	WWIISS24	24"	Wall Model	1/4	1	62	\$2,498
70764	PWIISS30	30"	Floor Model	1/3	1	81	\$3,186
70767	WWIISS30	30"	Wall Model	1/3	1	64	\$2,808

Note: When assembling fans use only the stainless steel fasteners supplied with the motors. Fans and motors should be cleaned and inspected regularly.

*CORD AND PLUG NOT PROVIDED WITH 115V or 115/230V MODELS. MUST BE HARD WIRED. WIRING. MUST CONFORM TO ALL NATIONAL, STATE AND LOCAL CODES.

CHEMICAL RESISTANCE RATING CHART

CHEMICAL	CONCENTRATION	STAINLESS STEEL PARTS
WATER:		
De-Ionized Boiling	100%	Excellent
Salt (Immersed)	30%	Excellent
Salt (Spray)	5%	Excellent
Tap - 250° /120° @10,000 PSI	100%	Excellent
ACIDS:		
Hydrochloric	35%	Poor
Sulfuric	25%	Poor
Nitric	35%	Excellent
Picric	Saturated Solution	Excellent
BASE:		
Caustic	100%	Excellent
Caustic	12pH	Excellent
Caustic - 1250 F/500 C	9.5pH	Excellent
SOLVENTS:		
	-	Excellent

WASHDOWN® APPLICATIONS

FOOD SERVICE	DAIRY BARNs
HOSPITALS	POULTRY HOUSES
FOOD PROCESSING	FISHERIES

NOTES:

TENV = Totally Enclosed Non Vented

A safety cable kit is included in all overhead mounted air circulators to prevent the fan from falling if accidentally struck or mounting fails. Single safety cable kits consist of 12 feet of 1/16" diameter cable, 2 cable clamps and instructions.



Washdown® Air Circulators

General Duty Epoxy Coated 115/230V Air Circulator



2 Year Warranty FEATURES

- Painted with White Epoxy Coating in accordance with FDA
- Non-oscillating 115/230V, 1/4 HP, 1 Phase, TEAO, Stainless Steel, Ball Bearing Motor, Restricts Entrance of Moisture and Releases any Condensation from Within
- Motor Meets IEEE 45 and CCM-1807 Specifications
- Designed to Withstand Moist/Wet Environments Without Affecting Performance or Functionality.
- Available in Non-Adjustable Pedestal or Wall Mount
- Motor Washdown Specification is IEC-IP55

PERFORMANCE 115/230V, PHASE 1

Prop Dia.	CFM	RPM	Motor No.	F. L. Amps
30"	8800	1075	WASHGUARD™1	3.8/1.6

Performance Ratings are conducted in accordance with AMCA Standard 230-99.

A safety cable kit is included in all overhead mounted air circulators to prevent the fan from falling if accidentally struck or mounting fails. Single safety cable kits consist of 12 feet of 1/16" diameter cable, 2 cable clamps and instructions.



All 30" Kitted Components consist of: 78040 (4G motor); 70761 (AC30GSS Guard Assembly); 72401 (WGB30 Prop); plus mounting listed below.

All 30" Kitted Components consist of: 78040 (4G motor); 70763 (AC30GW Guard Assembly); 72403 (WGBW30 Prop); plus mounting listed below.

EDP Number	Catalog No.	Prop Dia.	Fan Style	Ship Wt.	List Price
70771K	PED WACIW	30"	Floor Model 75014 (C-2039NP Pedestal) 75011 (C-2030BW Base)	81	\$1,793
70773K	WACISWW	30"	Wall Model 75010 (IAC-WBW Wall Brkt. With Safety Cable)	64	\$1,609

NOTES:

TEAO = Totally Enclosed Air Over

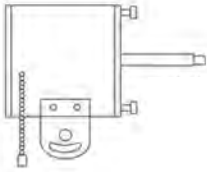
"K" suffix indicates unit shipped as individual component parts, may be shipped UPS or Truck.

*CORD AND PLUG NOT PROVIDED WITH 115/230V MODELS. MUST BE HARD WIRED. WIRING MUST CONFORM TO ALL NATIONAL, STATE AND LOCAL CODES.

See page 28 for Component Parts.

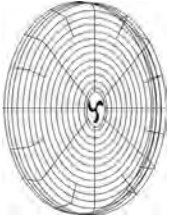


**Stainless Steel & General Duty Component Parts
115V and 115/230V Motors (Hard Wired)**



EDP Number	Catalog No.	F. L. Amps	Ship Wt.	Description	List Price
78039	5B	1.4	30	1/15 HP, 115V, 1 Phase, ball bearing, 1/2" shaft (Stainless Steel) *BISSC Approved	\$1,009
78040	4G	3.87	32	1/4 HP, 115/230V, 1 Phase, ball bearing 1/2" shaft (Stainless Steel) *BISSC Approved	\$1,393
78042	4H	3.87	34	1/3 HP, 115/230V, 1 Phase, ball bearing, 1/2" shaft (Stainless Steel) *BISSC Approved	\$1,657

Guards



EDP Number	Catalog No.	Ship Wt.	Description	List Price
70840	AC20GSS	16	20" Stainless Steel Guard	\$466
70841	AC24GSS	18	24" Stainless Steel Guard	\$557
70761	AC30GSS	19	30" Stainless Steel Guard	\$708
70763	AC30GW	20	30" White Epoxy Coated Guard	\$205

Propellers



EDP Number	Catalog No.	Ship Wt.	Description	List Price
70842	WGBS20	4	20" Stainless Steel Propeller	\$194
70843	WGBS24	5	24" Stainless Steel Propeller	\$206
72401	WGBS	6	30" Stainless Steel Propeller	\$222
72403	WGBW	6	30" Galvanized White Epoxy Coated Propeller	\$142

Pedestal



EDP Number	Catalog No.	Ship Wt.	Description	List Price
73001	PEDSS	7	Stainless Steel Stationary Pedestal, 5' Height/ Bottom 33½" Counter Model	\$222
75014	C-2030NPW	7	Epoxy White Stationary Pedestal, 5' Height/ Bottom 33½" Counter Model	\$89

Base



EDP Number	Catalog No.	Ship Wt.	Description	List Price
77001	BOS	16	Open Base - Stainless Steel	\$377
75011	C-2030BW	17	Open Base - Epoxy White Coated	\$186

Wall Mount Bracket



EDP Number	Catalog No.	Ship Wt.	Description	List Price
37773	IAC-WBS	7	Stainless Steel Wall Mount Bracket - (Complete with Safety Cable)	\$227
75010	IAC-WBW	7	Epoxy White Coated Wall Mount Bracket - (Complete with Safety Cable)	\$84



Washdown® Air Circulators

Epoxy Coated Barrel Fan 115V Models



2 Year Warranty - Applications For Moist and Wet Environments

FEATURES

- 115V, 1 Phase, TEAO, Epoxy Coated, Ball Bearing WASHGUARD™ Motor Restricts Entrance of Moisture and Releases Any Condensation from Within.
- Motor Meets IEEE 45 and CCM-1807 Specifications
- Motor Washdown Specification is IEC-IP55
- Tilttable
- Toggle Switch on 36"
- Designed to Withstand Moist/Wet Environments Without Affecting Performance or Function.
- 10 Foot Cord and Plug Included

PERFORMANCE 115V MODELS

Prop Dia.	CFM	RPM	Motor No.
36"	9800	850	WASHGUARD™



EDP Number	Catalog No.	Prop Dia.	HP	Volt	Phase	F. L. Amps	Wt.	List Price
60472	36WDDF	36"	1/2	115	1	5.3	130	\$2,350

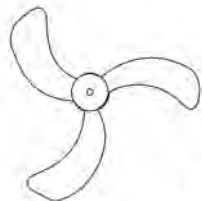
NOTES:

TEAO = Totally Enclosed Air Over.

MARKETS:

- CLEAN AIR ENVIRONMENT -
- MOIST ENVIRONMENTS -
- SWIMMING POOLS -
- CAR WASHES -
- HOSPITALS -
- MEDICAL LABS -
- PHARMACEUTICAL HOUSES -
- PRODUCE MARKETS

Epoxy Coated Barrel Fan Replacement Parts Propeller Assembly



EDP Number	Catalog No.	Ship Wt.	Description	List Price
21115	36BA-1	10	36" Propeller Assembly - 5/8" Bore. Cast Aluminum	\$298

Cradle Kits



EDP Number	Catalog No.	Ship Wt.	Description	List Price
08383	---	22	36" Cradle Kit	\$224



Direct Drive Models
4 - IN - 1® FAN



Portable Barrel



Wall Mount



Hanging Mount



Ceiling Mount

2 Year Warranty - Affordable Versatility
FEATURES

- Versatile
- One Fan - Four Mounting Options
- All Mountings In One Box
- Easy To Assemble
- Guards, Barrel, Mountings Epoxy Coated
- Tiltable
- Pull Chain Switch

PERFORMANCE 115V MODELS

Prop Dia.	Fan Style	CFM	RPM	AMP DRAW
30"	4 - IN - 1 All Mounts	5670/4590/3410	1110/810/600	2.9 / 2.1 / 1.93
36"	4 - IN - 1 All Mounts	11200/8090	830/600	4.6 / 3.5



EDP Number	Catalog No.	Prop Dia.	Fan Style	HP	Ship Wt.	List Price
60470	DD3041	30"	4 - IN - 1 All Mounts	1/4	97	\$621
60471	DD3641	36"	4 - IN - 1 All Mounts	1/2	119	\$744

* 36" 4-IN-1 Mancooler® is oversized. Additional UPS charges apply.

A safety cable kit is included in all overhead mounted air circulators to prevent the fan from falling if accidentally struck or mounting fails. Single safety cable kits consist of 12 feet of 1/16" diameter cable, 2 cable clamps and instructions.

24" MANCOOLER®



Portable Barrel

2 Year Warranty
FEATURES

- 115V, 1/4HP, 1 Phase, TEAO
- Ball Bearing Motor
- Two Speed Rocker Switch
- Epoxy Coated Barrel
- Epoxy Coated Steel Spiral Resilient Mounted Guards
- Tiltable
- Handle with Cord Wrap for 10' Cord with Three Prong Plug



EDP Number	Catalog No.	Prop Dia.	Fan Style	HP	CFM High Low	RPM High Low	Amps	Ship Wt.	List Price
70001	DDMC24C	24"	Portable Barrel	1/4	4000 / 2100	1100 / 800	3.5	75	\$502

Portable Mancoolers® - 115V

MC Belt Drive Models



2 Year Warranty - Engineered for Superior Performance

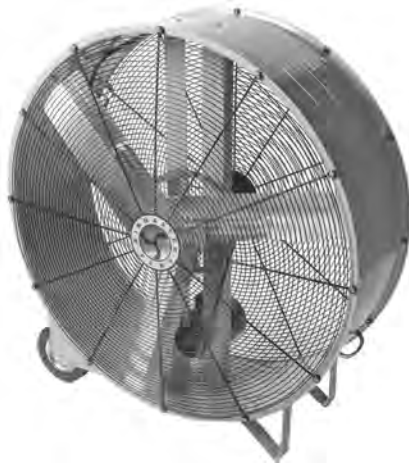
- Guards Epoxy Coated
- Barrel Epoxy Coated

MC420S

- 115V, 1 Phase, 2 Speed, ODP, 1 HP Motor
- Motor Out of Air Stream
- Four Bladed Aluminum Propeller
- 2 Speed Rocker Switch
- Steel Hubbed Wheels with Locking Casters
- Full Width Handle with Cord Wrap
- SJT 10' Cord with Three Prong Plug
- Epoxy Coated Steel Spiral, Vibration Isolated Mounted Guards
- 20 ga. Roll Form, Epoxy Coated Housing
- Fully Assembled
- Compliant with OSHA Requirements
- Quiet - Dba: High 75, Low 67



EDP Number	Catalog No.	Prop Dia.	Fan Style	HP	Cabinet Size	CFM	RPM	Ship Wt.	List Price
60002	MC420S	42"	Portable	1 (2 Speed)	46"	17,100 / 9558	430 / 285	130	\$970



EMC42D

- 115V, 1/2 HP, 2 SP, 1 Phase, ODP, Ball Bearing Motor, Rocker Switch
- 10' Three Conductor SJT Type Cord
- Aluminum 3 Blade Prop
- Epoxy Coated Steel Spiral, Resilient Mounted Guards
- 16" Diameter Barrel with 15-1/2" Width Fully Assembled
- Compliant with OSHA Requirements
- Fully Assembled
- 8" Steel Wheels
- Full Width Easy Grip Handle
- 20 ga, Roll Form Epoxy Coated Housing
- Dba: High 78, Low 71



EDP Number	Catalog No.	Prop Dia.	Fan Style	HP	Cabinet Size	CFM	RPM	Ship Wt.	List Price
60007	EMC42D	42"	Portable	1/2 (2 Speed)	46"	14,000 / 8000	540 / 400	1320	\$869
05242	EMC42D	42"	Replacement Propeller					7	\$205



MC42 / MC48 SWIVEL MOUNTS

- 115V, 1 Phase, 1 Speed, ODP, 3/4 (42") & 1 HP (48") Motor
- Four Bladed Epoxy Coated Steel Propeller
- Tilttable 30°, Locks in Place
- 4" Steel Wheels with Rubber Tires
- Pull Handle with Cord Wrap
- 12' Three Conductor SJT Type Cord and Switch



EDP Number	Catalog No.	Prop Dia.	Fan Style	HP	Cabinet Size	CFM	RPM	Ship Wt.	List Price
60025	MC42B	42"	Swivel Mt.	3/4 (2 Speed)	42 1/2"	16,180	380	135	\$1,748
60026	MC48B	48"	Swivel Mt.	1 (1 Speed)	48 1/2"	17,730	385	160	\$2,129



EMC Belt Drive Models



2 Year Warranty - Engineered for Superior Performance

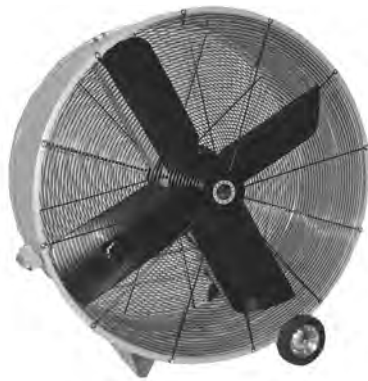
- Guards Epoxy Coated
- Barrel Epoxy Coated

BDMC36C

- 115V, 1 Phase, 2 Speed, ODP, 1/2 HP Motor
- 36" Diameter Three Bladed Aluminum Propeller
- Tilttable
- Two Speed Rocker Switch
- Steel Wheels with Rubber Tires
- Handle with Cord Wrap
- 10' Cord with Three Prong Plug



EDP Number	Catalog No.	Prop Dia.	Fan Style	HP	Cabinet Size	CFM	RPM	Ship Wt.	List Price
70005	BDMC36C	36"	Portable	1/2 (2 Speed)	36½"	7800/5300	660/450	116	\$720



**2 Year Warranty
EMC48B**

- 115V, 1 Phase, 1 Speed, ODP, 1 HP Motor
- Four Bladed Epoxy Coated Steel Propeller
- Steel Wheels with Rubber Tires
- Front Leg Bracket, Pull Handle
- 12' Three Conductor SJT Type Cord and Switch



EDP Number	Catalog No.	Prop Dia.	Fan Style	HP	Cabinet Size	CFM	RPM	Ship Wt.	List Price
60019	EMC48B	48"	Portable	1 (1SP)	48½"	17,173	385	165	\$ 1,740

Belt Drive Portable Mancoolers®



**1 Year Warranty
FEATURES**

- 115V, 1/2 HP (36") or 1 HP (42"), 1 Phase, 2 Speed, ODP, Ball Bearing Motor
- Aluminum Four Bladed Propeller
- Epoxy Coated Steel Guards and Housing
- 8" Steel Wheels
- Full Width Easy Grip Handle
- 550 Watts (36"), 630 Watts (42")
- Grounded Plug and 10' Cord
- 2 Speed Rocker Switch
- Velocity: 159 fpm @ 90 feet
- Fully Assembled



PERFORMANCE 115V

Prop Dia.	CFM		RPM		dBA	
	High	Low	High	Low	High	Low
36"	8758	7962	600	545	68	65
42"	13036	11850	582	517	70	66

EDP Number	Catalog No.	Prop Dia.	Fan Style	HP	Ship Wt.	List Price
78938	LC36BD	36"	Portable	1/2	82	\$579
78933	LC42BD	42"	Portable	1	103	\$704

Portable Mancoolers® - 115V / Heavy Duty Mobile Filtered Fan

Mancooler® Belt Drive Cabinet Fans Models - 115V



2 Year Warranty FEATURES

- Completely Assembled
- On/Off Switch & Handle
- Cord and Plug Included
- 115V, 1 Phase, 1 Speed, Open Drip Proof, Ball Bearing Motor



PERFORMANCE 115V

Prop Dia.	Cabinet Size	CFM	RPM
30"	36¼" x 19"W	7360	580
36"	42¼" x 19"W	9230	430
42"	48¼" x 19"W	13620	440
48"	54¼" x 19"W	17770	400

EDP Number	Catalog No.	Prop Dia.	Fan Style	HP	Ship Wt.	List Price
39130	M30RA	30"	Cabinet Fan	1/2	141	\$2,502
39140	M36RA	36"	Cabinet Fan	1/2	151	\$2,621
39150	M42RA	42"	Cabinet Fan	3/4	277	\$3,504
39160	M48RA	48"	Cabinet Fan	1	312	\$3,814

Heavy Duty Mobile Filtered Fan - Belt Drive and Direct Drive

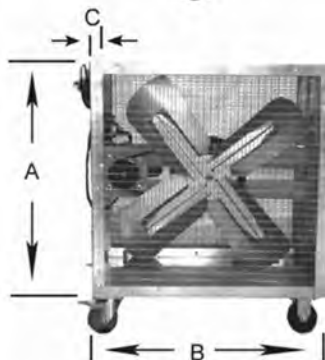


MODELS BDFD and DDFD

1 Year Warranty - Removes Dust Particles from Circulated Air

FEATURES

- Heavy Duty Epoxy Coated Steel
- Galvanized Steel Prop
- 2 Speed, Non-overloading PSC Motor
- Sealed Ball Bearings
- Two Swivel, Two Fixed Casters for Easy Mobility
- 115V, 1/2 HP, 1 PH
- Easy to Replace Filters Available



Dimensions

Size	A	B	C
30"	36"	34"	21"
36"	41.5"	39"	21"
42"	47.5"	45"	21"

Belt Drive Models

EDP Number	Catalog No.	Prop Dia	CFM High	RPM High	HP	Volt	Amps	Ship Wt	List Price
39171	30BDFD	30"	3606	627	1/2	115	5.04	140	\$1,386
39181	36BDFD	36"	4463	530	1/2	115	5.28	160	\$1,604
39191	42BDFD	42"	5702	377	1/2	115	6.19	285	\$1,782

Direct Drive Model

EDP Number	Catalog No.	Prop Dia	CFM High	RPM High	HP	Volt	Amps	Ship Wt	List Price
39200	36DDFD	36"	5460	850	1/2	115	4.5	165	\$1,443



Portable Utility Blower



**1 Year Warranty - Ready to Use
BLOWER FEATURES**

- 120V, 60 Hz, 3 Speed, 1.77 Amp Draw, Ball bearing Motor
- Up to 300 CFM Airflow
- Three speed selector switch
- 8-1/2 Foot Cord with Grounded Plug
- Compact Portable Design with Impact Resistant Shell
- Rubber Contact Pads for Surface Protection
- Carrying Handle,
- Adjustable Air Direction
- Resettable Circuit Breaker Protection
- Two 120V, 10 Amp. Receptacles with Protective Covers
- CSA Listed



EDP Number	Catalog No.	Size	Max Amps.	Ship Wt.	List Price
78967	UB180	12-1/2" x 9" x 13"	12	9	\$134

Optional Heater Attachment



**1 Year Warranty
FEATURES**

- 120V, 60 Hz, 10 Amps., 1320 Watts, 4500 BTU Heating Capacity
- Lighted On/Off Rocker Switch
- 8" Cord with Grounded Plug
- Thermal Protection
- Clips Securely onto Front of Blower
- Plugs into Outlet on Side of Blower
- Converts Blower into Lightweight Portable Heater
- CSA Listed



EDP Number	Catalog No.	Size	Ship Wt.	List Price
78966	HFUB11	8-3/4" x 4-7/8" x 3-1/8"	2	\$57



Ceiling Fans - 120V and 277V



Continuous Duty...Reduces Energy Costs

FEATURES

Mark VI

- Shipped Complete with Safety Cable Included
- 2 Year Commercial Warranty
- Non Reversible
- Two Down Rods with each fan (included)
- UL Listed



Mark I

- Shipped Complete with Safety Cable Included
- 1 Year Commercial Warranty
- UL / CUL Listed
- All Mark Ceiling Fans are Painted with Electro-Static White Paint



• Non Reversible

• Two Down Rods with each fan (included)

All Ceiling Fans Stocked

PERFORMANCE 115V MODELS

Prop Dia.	Fan Style	Down Length	CFM	RPM	Volt	Amps	Watts Full Speed
56"	MARK I	30"/15"	26400	290	120	0.50	65
	MARK VI-115	32"/14"	32900	311	120	1.12	120
	MARK VI-277	32"/14"	32900	307	277	0.31	125
60"	MARK VI-60	30"/15"	39600	320	120	1.20	120

Down Length measurement from ceiling to bottom of motor. Comes with 2 down rods.

120V Models

EDP Number	Catalog No.	Prop Dia.	Ship Wt.	List Price
40132	MARK I	56"	15	\$125
40123	MARK VI-115	56"	17	\$241
40060	MARK VI-60	60"	19	\$374

277V Models

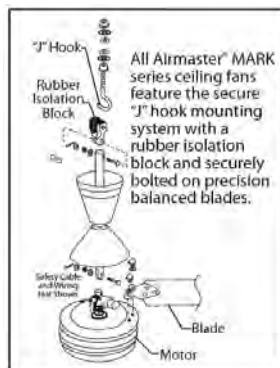
EDP Number	Catalog No.	Prop Dia.	Ship Wt.	List Price
40124	MARK VI-277	56"	16	\$268

Multiple fans, wire in parallel.

Ambient temperature for all models is 104° F. (40° C).

State and local electrical codes apply to all installation procedures.

† Recommended for quiet applications, such as churches or schools, when using Variable Speed Control as produces least audible harmonics.



115V Models

2 Year Commercial Warranty - Moisture & Dust Resistant Jetproof

FEATURES

- Preassembled with Watertight Power Cord and Safety Cable
- Moisture and Dust Resistant

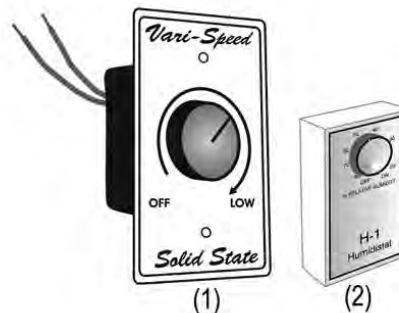
Prop Dia.	Fan Style	Down Length*	CFM	RPM	Volt	Amps	Watts Full Speed
56"	MARK VI Jetproof (JPCP)	24"	32900	311	115	1.12	120

EDP Number	Catalog No.	Prop Dia.	Ship Wt.	List Price
40129	MARK VI Jetproof (JP-CP)	56"	16	\$378

Multiple fans, wire in parallel

Accessories

Controls For Commercial And Industrial Ceiling Fans



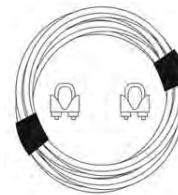
EDP Number	Catalog No.	Ship Wt.	Description	List Price
24855	485210	1	Variable speed control regulates 1 to 6 fans. Not to exceed a maximum amp draw of 6.0 amps. (1)	\$74
24860	596321	1	Variable speed control regulates 7 to 12 fans. Not to exceed a maximum amp draw of 10.0 amps. (1)	\$152
24848	374111	1	Variable speed control, 277V, regulates 1 to 3 fans. 1.5 amps. (1)	\$77
24880	H-1	1	Humidistat (2) 20% to 80% RH range.	\$313

Protective Ceiling Fan Guards



EDP Number	Catalog No.	Ship Wt.	Description	List Price
40006	UCFG	21	61-inch diameter nickel chrome plated top and bottom guard kit UPS shippable.	\$370

Safety Cable Kit



EDP Number	Catalog No.	Ship Wt.	Description	List Price
21204	Safety Kit	3	Safety Cable Kit - Available for Retrofit Applications	\$32



Heat & Humidity are safety issues!

Hot air increases humidity which over time increases plant mold and mildew. If plant air is left stagnant (no ventilation), then your employees and any warehoused product sitting on the shelf are exposed to this potential damage. Heat and humidity are safety issues.

A cost effective way to keep air moving

Bigger ceiling fans are not necessarily better as they may move a larger amount of air, but they are just pushing this volume of hot air on to people and they are expensive. Our Airmaster ceiling fans are designed quiet and are a cost effective way of moving hot air. In most industrial & commercial buildings, people and processes and weather create heat. Heat creates hot air that becomes stratified at the ceiling. The temperature of this air can far exceed 140° above the plant floor. The hot air can become a source of cost savings as this heat is a source of untapped energy savings.

How can I capture this energy savings?

By installing our Airmaster ceiling fans, hot plant air is recirculated and mixed with floor air, creating a uniform air temperature from floor to ceiling. Even in an air conditioned facility, ceiling fans can help recirculate the cooled air, keeping it where it is needed, at the plant floor level. Cost savings will vary based on the plant size and location, but the direct result is a potential energy savings that can reduce heating cost by as much as 30% annually.

To maximize savings, ceiling fans should be placed above equipment that produces heat such as : ovens, air compressors, generators, etc...

Reversible Ceiling Fans do not function as advertised

Ceiling fans take stratified hot air and mixes it with plant air to produce a cooling effect. Reversing the fan will only blow the hot air at the ceiling and does not draw air flow up from the floor. Instead, the air hits the ceiling and the air flow velocity drops to near zero. This air is then spread across the ceiling, drops a short distance and drifts back to the inlet of the ceiling fan. When a ceiling fan is used in reverse, the result, is air that does not circulate in large areas and this wastes energy. Reversible ceiling fans defeat the purpose of the fan and keeps the hot air at the ceiling.

Picking a Ceiling Fan

When ceiling fans are used to help cool people, Airmaster recommends spacing them 15-20' apart in the occupied area. In warehouse areas, we recommend placing the ceiling fans in the aisle ways.

EXAMPLE: Warehouse with 20' ceilings

Warehouse Size 100' L x 80' W = 8,000 Square Feet
One fan for every 4,000 Square Feet = 2 ceiling fans

Plant Ceiling Height	Recommended Floor Area per fan
40'	One every 2,900 Square Feet
30'	One every 4,000 Square Feet
20'	One every 4,000 Square Feet
15'	One every 4,000 Square Feet

- ** Ceiling fans should be mounted at least 10' off the floor.
- ** The use of safety cables is required on all ceiling fan installations.

For additional help and information, contact Airmaster Fans Engineering Department.



Direct Drive Air Blasters 115/230V & 230/460V



High Stand



Medium Stand



Low Stand

1 Year Warranty - FEATURES

- Cast Aluminum Non-Sparking Propellers
- Front & Rear Guards Meet OSHA Standards
- Adjustable Tilt Drum on High & Medium Models
- Non-Tipping Heavy Base
- Welded Steel Construction
- Portable or Stationary Mount
- 115/230V and 230/460V, Totally Enclosed and Explosion Proof, Ball Bearing Motors



PERFORMANCE 115/230V & 230/460V

Prop Dia. ¹	Decibals @ 10'	HP	CFM	RPM
18"	74	1/4	3450	1725
	80	1/4	5200	1725
	80	1/2	6500	1725
24"	82	1	7400	1725
	87	3	10500	1725
	86	1/2	8000	1725
30"	92	1-1/2	11000	1725
	94	3	16000	1725
	88	1-1/2	14850	1725
36"	90	2	16800	1725
	84	3	20000	1150
42"	86	2	18000	1150
	86	5	28000	1150
48"	105	7-1/2	37000	1150

¹Actual Propeller 3/4" less.

High Stand Model - 360° TILT

Totally Enclosed Motor

1 Phase 115/230V

EDP Number	Catalog No.	Prop Dia.	HP	Wt.	List Price
21300	18M-1/4	18"	1/4	228	\$4,920
21310	24M-1/4	24"	1/4	255	\$5,125
21320	24M-1/2	24"	1/2	260	\$5,573
21330	24M-1	24"	1	270	\$6,143
21340	24M-3	24"	3	300	\$7,969
21350	30M-1/2	30"	1/2	281	\$6,125
21360	30M-1-1/2	30"	1 1/2	340	\$7,006
21370	30M-3	30"	3	360	\$8,351
21380	36M-1-1/2	36"	1 1/2	415	\$8,017
21390	36M-2	36"	2	420	\$8,654
21410	42M-2	42"	2	565	\$14,944

3 Phase 230/460V

EDP Number	Catalog No.	Prop Dia.	HP	Wt.	List Price
21301	18MP-1/4	18"	1/4	228	\$4,860
21311	24MP-1/4	24"	1/4	255	\$5,053
21321	24MP-1/2	24"	1/2	260	\$5,541
21331	24MP-1	24"	1	270	\$5,932
21341	24MP-3	24"	3	300	\$6,593
21351	30MP-1/2	30"	1/2	281	\$6,106
21361	30MP-1-1/2	30"	1 1/2	340	\$6,641
21371	30MP-3	30"	3	360	\$7,070
21381	36MP-1-1/2	36"	1 1/2	415	\$7,683
21391	36MP-2	36"	2	420	\$7,750
21601	36MP-3	36"	3	445	\$9,173
21411	42MP-2	42"	2	565	\$9,523
21621	42MP-5	42"	5	590	\$10,873
21631	48MP-7-1/2	48"	7 1/2	875	\$17,909



Direct Drive Air Blasters 115/230V & 230/460V

High Stand Model - 360° TILT

Explosion Proof Motor

1 Phase 115/230V

EDP Number	Catalog No.	Prop Dia.	HP	Wt.	List Price
21302	18M-1/4X	18"	1/4	228	\$5,741
21312	24M-1/4X	24"	1/4	255	\$5,884
21322	24M-1/2X	24"	1/2	260	\$6,584
21332	24M-1X	24"	1	270	\$7,194
21352	30M-1/2X	30"	1/2	281	\$7,158
21362	30M-1-1/2X	30"	1 1/2	340	\$10,272
21382	36M-1-1/2X	36"	1 1/2	415	\$11,409
21392	36M-2X	36"	2	420	\$12,519

3 Phase 230/460V

EDP Number	Catalog No.	Prop Dia.	HP	Wt.	List Price
21303	18MP-1/4X	18"	1/4	228	\$5,875
21313	24MP-1/4X	24"	1/4	255	\$6,008
21323	24MP-1/2X	24"	1/2	260	\$6,751
21333	24MP-1X	24"	1	270	\$7,198
21343	24MP-3X	24"	3	300	\$8,042
21353	30MP-1/2X	30"	1/2	281	\$7,335
21363	30MP-1-1/2X	30"	1 1/2	340	\$7,894
21373	30MP-3X	30"	3	360	\$8,589
21383	36MP-1-1/2X	36"	1 1/2	415	\$8,936
21393	36MP-2X	36"	2	420	\$9,234
21603	36MP-3X	36"	3	445	\$11,357
21413	42MP-2X	42"	2	565	\$10,848
21623	42MP-5X	42"	5	590	\$13,342
21633	48MP-7-1/2X	48"	7 1/2	875	\$19,958

Medium Stand Model - 360° TILT

Totally Enclosed Motor

1 Phase 115/230V

EDP Number	Catalog No.	Prop Dia.	HP	Wt.	List Price
21700	18M-1/4M	18"	1/4	160	\$4,282
21710	24M-1/4M	24"	1/4	165	\$4,647
21720	24M-1/2M	24"	1/2	180	\$4,915
21730	24M-1M	24"	1	190	\$5,474
21740	24M-3M	24"	3	260	\$7,497
21750	30M-1/2M	30"	1/2	220	\$5,376
21760	30M-1-1/2M	30"	1 1/2	260	\$6,270
21770	30M-3M	30"	3	277	\$7,596
21780	36M-1-1/2M	36"	1 1/2	320	\$7,310
21790	36M-2M	36"	2	325	\$7,918
21810	42M-2M	42"	2	415	\$14,075

3 Phase 230/460V

EDP Number	Catalog No.	Prop Dia.	HP	Wt.	List Price
21701	18MP-1/4M	18"	1/4	160	\$4,220
21711	24MP-1/4M	24"	1/4	165	\$4,399
21721	24MP-1/2M	24"	1/2	180	\$4,890
21731	24MP-1M	24"	1	190	\$5,250
21741	24MP-3M	24"	3	260	\$5,908
21751	30MP-1/2M	30"	1/2	220	\$5,357
21761	30MP-1-1/2M	30"	1 1/2	260	\$5,871
21771	30MP-3M	30"	3	277	\$6,311
21781	36MP-1-1/2M	36"	1 1/2	320	\$6,940
21791	36MP-2M	36"	2	325	\$7,014
22001	36MP-3M	36"	3	350	\$8,436
21811	42MP-2M	42"	2	415	\$8,626
22021	42MP-5M	42"	5	440	\$9,984
22031	48MP-7-1/2M	48"	7 1/2	745	\$14,672

Explosion Proof Motor

1 Phase 115/230V

EDP Number	Catalog No.	Prop Dia.	HP	Wt.	List Price
21702	18M-1/4MX	18"	1/4	160	\$5,114
21712	24M-1/4MX	24"	1/4	165	\$5,218
21722	24M-1/2MX	24"	1/2	180	\$5,883
21732	24M-1MX	24"	1	190	\$6,535
21752	30M-1/2MX	30"	1/2	220	\$6,410
21762	30M-1-1/2MX	30"	1 1/2	260	\$8,569
21782	36M-1-1/2MX	36"	1 1/2	320	\$10,699
21792	36M-2MX	36"	2	325	\$11,779

3 Phase 230/460V

EDP Number	Catalog No.	Prop Dia.	HP	Wt.	List Price
21703	18MP-1/4MX	18"	1/4	160	\$5,242
21713	24MP-1/4MX	24"	1/4	165	\$5,535
21723	24MP-1/2MX	24"	1/2	180	\$6,106
21733	24MP-1MX	24"	1	190	\$6,516
21743	24MP-3MX	24"	3	260	\$7,385
21753	30MP-1/2MX	30"	1/2	220	\$6,590
21763	30MP-1-1/2MX	30"	1 1/2	260	\$7,138
21773	30MP-3MX	30"	3	277	\$7,814
21783	36MP-1-1/2MX	36"	1 1/2	320	\$8,415
21793	36MP-2MX	36"	2	325	\$8,502
22003	36MP-3MX	36"	3	350	\$10,624
21813	42MP-2MX	42"	2	415	\$9,953
22023	42MP-5MX	42"	5	440	\$12,565
22033	48MP-7-1/2MX	48"	7 1/2	745	\$18,662

Low Stand Model

Totally Enclosed Motor

1 Phase 115/230V

EDP Number	Catalog No.	Prop Dia.	HP	Wt.	List Price
22100	18M-1/4L	18"	1/4	87	\$3,574
22110	24M-1/4L	24"	1/4	115	\$3,724
22120	24M-1/2L	24"	1/2	120	\$4,200
22130	24M-1L	24"	1	130	\$4,754
22140	24M-3L	24"	3	160	\$8,502
22150	30M-1/2L	30"	1/2	141	\$4,605
22160	30M-1-1/2L	30"	1 1/2	200	\$5,481
22170	30M-3L	30"	3	220	\$6,806
22180	36M-1-1/2L	36"	1 1/2	250	\$6,322
22190	36M-2L	36"	2	255	\$6,914
22210	42M-2L	42"	2	315	\$13,058

3 Phase 230/460V

EDP Number	Catalog No.	Prop Dia.	HP	Wt.	List Price
22101	18MP-1/4L	18"	1/4	87	\$3,512
22111	24MP-1/4L	24"	1/4	115	\$3,674
22121	24MP-1/2L	24"	1/2	120	\$4,171
22131	24MP-1L	24"	1	130	\$4,505
22141	24MP-3L	24"	3	160	\$5,163
22151	30MP-1/2L	30"	1/2	141	\$4,568
22161	30MP-1-1/2L	30"	1 1/2	200	\$5,067
22171	30MP-3L	30"	3	220	\$5,510
22181	36MP-1-1/2L	36"	1 1/2	250	\$5,942
22191	36MP-2L	36"	2	255	\$6,008
22401	36MP-3L	36"	3	280	\$7,435
22211	42MP-2L	42"	2	315	\$7,584
22421	42MP-5L	42"	5	340	\$8,936
22431	48MP-7-1/2L	48"	7 1/2	685	\$13,456



Direct Drive Air Blasters 115/230V & 230/460V

Low Stand Model

Explosion Proof Motor

1 Phase 115/230V

EDP Number	Catalog No.	Prop Dia.	HP	Wt.	List Price
22102	18M-1/4LX	18"	1/4	87	\$4,409
22112	24M-1/4LX	24"	1/4	115	\$4,493
22122	24M-1/2LX	24"	1/2	120	\$5,159
22132	24M-1LX	24"	1	130	\$5,810
22152	30M-1/2LX	30"	1/2	141	\$5,635
22162	30M-1-1/2LX	30"	1 1/2	200	\$8,738
22182	36M-1-1/2LX	36"	1 1/2	250	\$9,713
22192	36M-2LX	36"	2	255	\$10,772

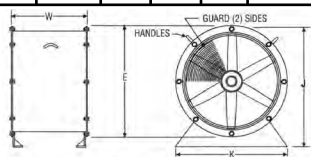
3 Phase 230/460V

EDP Number	Catalog No.	Prop Dia.	HP	Wt.	List Price
22103	18MP-1/4LX	18"	1/4	87	\$4,519
22113	24MP-1/4LX	24"	1/4	115	\$4,630
22123	24MP-1/2LX	24"	1/2	120	\$5,376
22133	24MP-1LX	24"	1	130	\$5,785
22143	24MP-3LX	24"	3	160	\$6,641
22153	30MP-1/2LX	30"	1/2	141	\$5,796
22163	30MP-1-1/2LX	30"	1 1/2	200	\$6,516
22173	30MP-3LX	30"	3	220	\$7,014
22183	36MP-1-1/2LX	36"	1 1/2	250	\$7,216
22193	36MP-2LX	36"	2	255	\$7,497
22403	36MP-3LX	36"	3	280	\$9,620
22213	42MP-2LX	42"	2	315	\$8,911
22423	42MP-5LX	42"	5	340	\$11,420
22433	48MP-7-1/2LX	48"	7 1/2	685	\$17,439

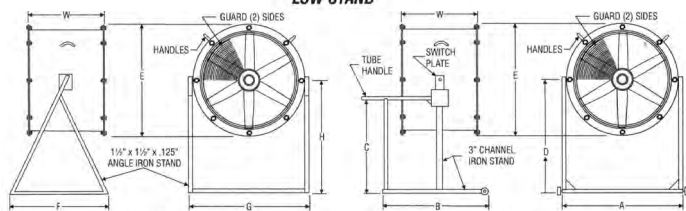
NOTES: Fans are pre-assembled, tested and ready to install. Specify voltage required when ordering.
Special custom order product. Once in production, non-cancelable, nonreturnable under any circumstance.

AIR BLASTER DIMENSIONS

PROP DIA	A	B	C	D	E	F	G	H	J	K	W
18	23	30	25	42	20	32	23 1/2	28	21 1/2	18	20
24	29	30	25	42	26	32	29 1/2	28	27 1/2	24	20
30	35	30	25	42	32	32	35 1/2	28	33 1/2	30	20
36	41	30	25	42	38	32	41 1/2	28	39 1/2	36	24
42	47	30	25 1/2	42	44	32	47 1/2	28	45 1/2	42	24
48	53	30	25 1/2	42	51	32	53 1/2	36	52	48	28



LOW STAND



MEDIUM STAND

HIGH STAND

Accessories & Modifications



Yoke Mount - Tilt Only

EDP Number	Catalog No.	Prop Dia.	Wt.	Description	List Price
22440	Yoke Mount-Tilt	18"	45	For wall or ceiling mounting.	\$980
22450	Yoke Mount-Tilt	24"	50	For wall or ceiling mounting.	\$1,096
22460	Yoke Mount-Tilt	30"	55	For wall or ceiling mounting.	\$1,121
22470	Yoke Mount-Tilt	36"	70	For wall or ceiling mounting.	\$1,365

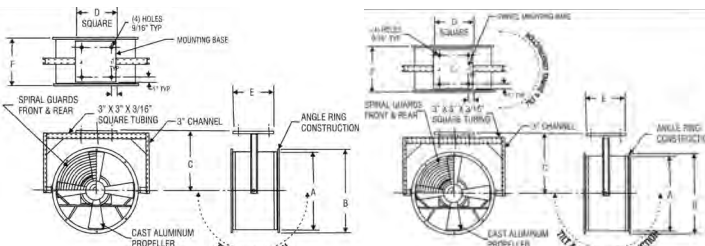
Yoke Mount - Tilt & Swivel

EDP Number	Catalog No.	Prop Dia.	Wt.	Description	List Price
22441	Yoke Mount-Tilt, Swivel	18"	45	For wall or ceiling mounting.	\$2,395
22451	Yoke Mount-Tilt, Swivel	24"	50	For wall or ceiling mounting.	\$2,494
22461	Yoke Mount-Tilt, Swivel	30"	55	For wall or ceiling mounting.	\$2,793
22471	Yoke Mount-Tilt, Swivel	36"	70	For wall or ceiling mounting.	\$3,109

Casters (For Low & Medium Models)

EDP Number	Catalog No.	Prop Dia.	Wt.	Description	List Price
22480	Casters	18"-30"	12	Two fixed / two swivel (with locking device)	\$770
22490	Casters	36"-48"	16	Two fixed / two swivel (with locking device)	\$1,080

Add the following to low stand prices:



AIR BLASTER YOKE MOUNT DIMENSIONS

SIZE	A	B	C*	C**	D	E	F
18	18	20	17	17-1/2	15	15	20
24	24	26	21	21-1/2	15	15	20
30	30	30	25	25-1/2	15	15	20
36	36	28	29	29-1/2	18	18	24

* Dimension for Tilt Only;

** Dimension for Tilt and Swivel Only

Optional Prewired Starter Switches 1 Phase Standard

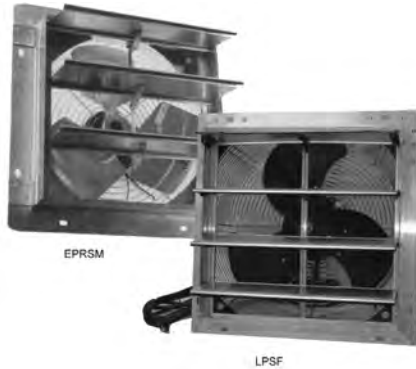
EDP Number	Catalog No.	Motor HP	List Price
91901	Starter Switch	1/4, 1/2, 1	\$843
91902	Starter Switch	1 1/2	\$1,979

Optional Prewired Starter Switches 3 Phase Standard

EDP Number	Catalog No.	Motor HP	List Price
91903	Starter Switch	1/4, 1/2, 1, 1 1/2, 2, 3	\$1,989
91904	Starter Switch	5	\$2,264



Low Pressure Shutter Fan
MODEL EPRSM & LPSF



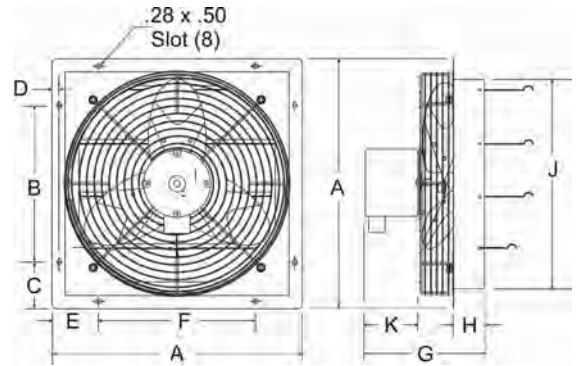
1 Year Warranty

FEATURES

- Fully Assembled - Ready to Install
- Rear Guard Meets OSHA Standards
- Totally Enclosed Motor
- EPRSM 7 and EPRSM30 Models are UL Listed; LPSF Models are CUL Listed*



◀ = EDP in Stock



PERFORMANCE / PRICING LPSF

EDP Number	Catalog No.	Prop Dia.	Panel Size (Square)	Wall Opening (Square)	0" S.P. CFM	1/8" S.P. CFM	Motor HP	Volt	PH	Max. Sones @ 5'	Ship Wt.	List Price
◀ 23011	LPSF10	10"	13-1/8"	10-1/2"	611	318	1/30	115	1	6.6	10	\$258
◀ 23015	LPSF12	12"	15-1/8"	13"	815	490	1/30	115	1	7.6	12	\$294
◀ 23012	LPSF16	16"	19-1/8"	17"	1216	765	1/20	115	1	8.0	20	\$440
◀ 23013	LPSF18	18"	21-1/8"	18-1/2"	1877	752	1/15	115	1	8.4	25	\$491
◀ 23016	LPSF20	20"	23-1/8"	20-1/2"	2235	920	1/15*	115	1	9.0	29	\$522
◀ 23014	LPSF24	24"	27-1/8"	25"	3214	2015	1/4**	115	1	11.7	48	\$615

All LPSF Models are 2-Speed with Pull Chain, Plug and Cord Included

DIMENSIONS

Model	A	B	C	D	E	F	G	H	J	K
LPSF10	13.13	6	3.56	.56	3.56	6	8.06	2.38	10	3.00
LPSF12	15.13	8	3.56	.56	3.56	8	8.06	2.38	12	3.00
LPSF16	19.13	12	3.56	.56	3.56	12	9.06	2.38	16	4.00
LPSF18	21.13	14	3.56	.56	3.56	14	11.00	2.50	18	4.75
LPSF20	23.13	16	3.56	.56	3.56	16	11.00	2.50	20	4.75
LPSF24	27.13	20	3.56	.56	3.56	20	12.65	3.00	24	5.00

PERFORMANCE / PRICING EPRSM

EDP Number	Catalog No.	Prop Dia.	Panel Size (Square)	Wall Opening (Square)	0" S.P. CFM	1/8" S.P. CFM	Motor HP	Volt	PH	Max. Sones @ 5'	Ship Wt.	List Price
◀ 23000	EPRSM7	7"	11-1/8"	8-1/2"	121	60	1/30	115	1	4.8	10	\$301
23001	EPRSM10	10"	13-1/8"	10-1/2"	611	318	1/30	115	1	6.6	10	\$324
23002	EPRSM12	12"	15-1/8"	13"	815	490	1/30	115	1	7.6	12	\$368
23003	EPRSM16	16"	19-1/8"	17"	1216	765	1/20	115	1	8.0	20	\$550
23004	EPRSM18	18"	21-1/8"	18-1/2"	1877	752	1/15	115	1	8.4	25	\$614
23007*	EPRSM20	20"	23-1/8"	20-1/2"	2235	920	1/15	115	1	9.0	29	\$654
23005**	EPRSM24	24"	27-1/8"	25"	3214	2015	1/4	115	1	11.7	48	\$769
◀ 23008**	EPRSM30	30"	33-1/8"	30-1/2"	4970	3510	1/4	115	1	12.0	54	\$917

* 2-Speed with Pull Chain, Plug and Cord Included

** 3-Speed with Pull Chain, Plug and Cord Included

DIMENSIONS

Model	A	B	C	D	E	F	G	H	J	K
EPRSM7	11.13	4	3.56	.56	3.56	4	8.06	2.38	8	3.00
ERSM10	13.13	6	3.56	.56	3.56	6	8.06	2.38	10	3.00
ERSM12	15.13	8	3.56	.56	3.56	8	8.06	2.38	12	3.00
ERSM16	19.13	12	3.56	.56	3.56	12	9.06	2.38	16	4.00
ERSM18	21.13	14	3.56	.56	3.56	14	11.00	2.50	18	4.75
ERSM20	23.13	16	3.56	.56	3.56	16	11.00	2.50	20	4.75
ERSM24	27.13	20	3.56	.56	3.56	20	12.65	3.00	24	5.00
EPRSM30	33.13	26	3.56	.56	3.56	26	12.65	3.00	30	5.00

Made in USA

Direct Drive Fans

Low Pressure All Purpose Wall Fan

MODEL EPR

1 Year Warranty - Totally Enclosed Two Speed 115V

FEATURES

- High Efficiency
- Low Operating Cost
- Commercial Duty
- Totally Enclosed Motor



◀ = EDP in Stock



EDP Number	Catalog No.	Prop Dia.	HP	Fan RPM	Capacity (CFM) @ "SP In. W.G.						Max. Sones @ 5'	Ship Wt.	List Price
					0"	.05"	.10"	.125"	.02"	.250"			
◀ 24100	10EPR16	10"	1/30	1550	630	469	418	394	309	234	5.6	12	\$506**
◀ 24110	12EPR16	12"	1/30	1550	897	843	754	689	503	378	6.0	14	\$527*
◀ 24120	16EPR16	16"	1/9	1050	1881	1766	1626	1540	1169	814	8.8	24	\$639**
◀ 24130	18EPR16	18"	1/9	1050	2504	2345	2149	2035	1553	884	9.5	27	\$679*

NOTE: For Supply Duty add "S" prefix to EDP Number and use list price divided by 0.80.

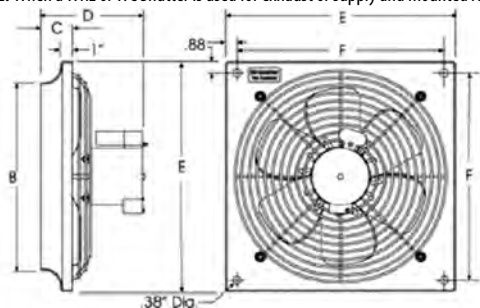
For * or ** see Controls below.

RECOMMENDED OPTIONAL ACCESSORIES (EDP numbers in parenthesis)

Catalog Number	Wall Collar		Exhaust Shutter For Use With Wall Collar			Supply Shutter For Use With Wall Collar			Exhaust Shutter For Use Without Wall Collar			Supply Shutter For Use Without Wall Collar			Safety Guards Prop Side (Front)				
	WS10	(06883)	\$257	EASRMF10	(22970)	\$135	WC9	(22754)	\$164	EASRMF12	(22971)	\$135	WC10	(22755)	\$176	10EPR	(23060)	3#	\$244
12EPR16	WS12	(06884)	\$277	EASRMF12	(22971)	\$135	WC12	(22755)	\$176	EASRMF14	(22972)	\$142	WC12	(22611)	\$176	12EPR	(23070)	4#	\$255
16EPR16	WS16E	(06885)	\$316	EASRMF14	(22972)	\$142	WC12	(22611)	\$176	EASRMF18	(22973)	\$181	WC16	(22621)	\$186	16EPR	(23080)	5#	\$316
18EPR16	WS18E	(06886)	\$365	EASRMF18	(22973)	\$181	WC16	(22621)	\$186	EASRMF20	(22974)	\$196	WC18	(22631)	\$221	18EPR	(23090)	7#	\$320

See page 57 for WS Wall Collar Dimensions. See page 56 for WRE and WC shutter selection/installation information, ship weights and cautions.

NOTE: When a WRE or WC Shutter is used for exhaust or supply and mounted remote from the fan, a WS Wall Collar is not needed. The shutter installed directly on the wall and a Motor Actuator Kit must be utilized.



FAN DIMENSIONS (INCHES)

Size	A	B	C	D	E	F	H(DIA.)	# HOLES
10	10	10 1/4	1 1/2	6	14	12.25	.38	4
12	12	12 1/4	1 1/2	8	16	14.25	.38	4
16	16	16 1/2	1 3/4	9 1/2	20	18.25	.38	4
18	18	18 1/2	1 3/4	10	22	20.25	.38	4

For Motorized Shutters Add Motor Kit

EASR Exhaust Motor Kit - For 9" to 36" Wall Shutters

EDP Number	Catalog No.	List Price
22982	MTR-556 SP	\$397

Specify voltage needed when ordering.

Manual Chain Operator - 1 Panel Exhaust Shutter (For 10" to 36")

EDP Number	Catalog No.	List Price
80111	Manual Chain Operator	\$206

WC Supply Duty Motor Kit - For 9" - 36" Supply Shutters

EDP Number	Catalog No.	List Price
22900	MK5047-B	\$397

Units are single phase operation. Specify voltage needed when ordering.

NOTE: If Supply Shutter is remote from fan, it must be motorized.

Controls

EDP Number	Catalog No.	Model	Item	List Price
24852	Switch	-	*Two Speed Switch for Fan Only	\$60
85388	Switch	-	*Two Speed Switch for Fan & Supply Shutter	\$49
24855	485210	458210 **	Variable Speed	\$74
24820	T-1	T-1	Thermostat (115V only)	\$266



**Low Pressure Industrial Duty
MODEL EXG**



Explosion Proof 1 Phase 115/230V ◀ = EDP in Stock

EDP Number	Catalog No.	Prop Dia.	HP	Fan RPM	Capacity (CFM) @ "SP In. W.G.			Approx. Ship Wt.	Max. Sones @ 5'	List Price
					0"	1/8"	1/4"			
◀ 24350	12EXG16	12"	1/4	1725	970	900	800	25	6.7	\$1,725
◀ 24360	16EXG16	16"	1/4	1725	2950	2200	1900	40	17.6	\$1,997
24371	18EXG16A	18"	1/4	1140	2600	2200	1000	62	10.5	\$2,206
◀ 24381	24EXG16A	24"	1/4	1140	5100	4780	3550	75	20.6	\$2,079

Explosion Proof 3 Phase 230/460V

EDP Number	Catalog No.	Prop Dia.	HP	Fan RPM	Capacity (CFM) @ "SP In. W.G.			Approx. Ship Wt.	Max. Sones @ 5'	List Price
					0"	1/8"	1/4"			
24391	18EBX836A	18"	1/4	1140	2600	2200	1000	60	10.5	\$2,190
24401	24EBX836A	24"	1/4	1140	5100	4780	3550	90	20.6	\$2,276

For supply duty add "S" prefix to EDP Number and use list price divided by 0.80. Supply duty are custom orders, non-cancelable, non-returnable once in production Explosion Proof Motors Class I, Group D & Class II Groups E, F & G, with the exception of the 12" and 16" sizes which are Explosion Proof Motors, Class I, Group D & Class II Groups F & G. Propellers have spark resistant aluminum blades. See page 3 for Explosion Proof Motor information. Do not use variable speed control with EXG fan.

RECOMMENDED OPTIONAL ACCESSORIES (EDP Numbers in Parenthesis)

Prop Dia.	Wall Collar			Exhaust Shutter for use			Supply Shutter for use			Safety Guards				
				With Wall Collar			Without Wall Collar			With Wall Collar			Without Wall Collar	
12"	WS12	(06884)	\$277	EASRMF12	(22971)	\$135	WC10	(22755)	\$176	12FG	(23660)	7#	\$257	
				EASRMF14	(22972)	\$142	WC12	(22611)	\$176	12RG	(23605)	15#	\$298	
16"	WS18E	(06886)	\$365	EASRMF18	(22973)	\$181	WC16	(22621)	\$186	16FG	(23665)	11#	\$273	
				EASRMF18	(22973)	\$181	WC16	(22621)	\$186	16RG	(23610)	21#	\$374	
18"	WS18	(06894)	\$342	EASRMF20	(22974)	\$196	WC18	(22631)	\$221	18FG	(23670)	11#	\$310	
				EASRMF20	(22974)	\$196	WC18	(22631)	\$221	18RG	(23615)	23#	\$426	
24"	WS24	(06887)	\$362	EASRMF26	(22975)	\$260	WC24	(22641)	\$276	24FG	(23675)	15#	\$342	
				EASRMF26	(22975)	\$260	WC24	(22641)	\$276	24RG	(23620)	28#	\$450	

NOTE: When an EASR or WC shutter is used for exhaust or supply and mounted remote from the fan, a WS Wall Collar is not needed.

The shutter is installed directly on the wall and a Motor Actuator Kit must be utilized.

NOTES:

Weatherhoods are available for the 24" units. WS Wall Collars are shipped knocked down.

WC Supply Shutters are not weather resistant. It is recommended that the WC be used with a weatherhood.

See pages 57 and 58 for WS Wall Collar Dimensions & Weatherhoods.

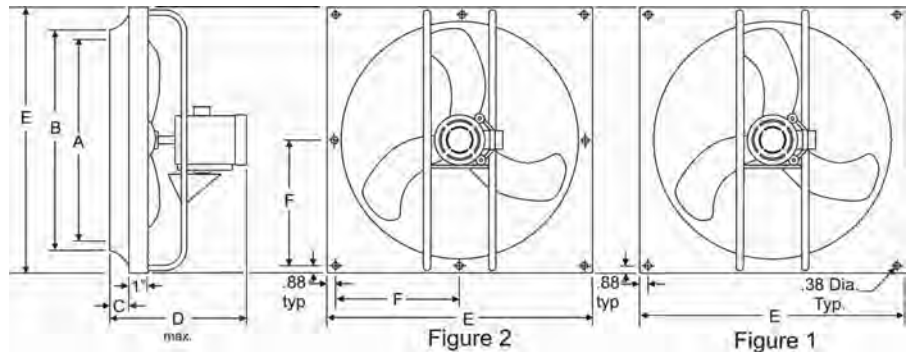
See page 58 for prop (front) and motor (rear) side guard dimensions.

For Epoxy Coating Finish of shutters or guards, add "E" suffix to EDP# and use list price divided by 0.65.

See page 56 for EASR and WC shutter selection/installation information, ship weights and cautions.

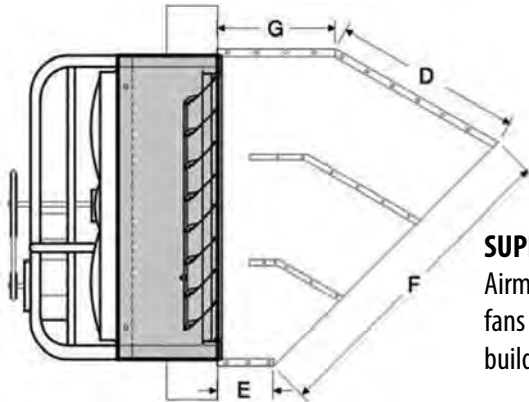
DIMENSIONS FOR EXG (IN.)

Size	12"	16"	18"	24"
See Fig.	1	1	1	2
A(Dia.)	12	16	18	24
B	12 1/2	16 1/2	18 1/2	24 1/2
C	1-5/8	1-7/8	2	2 1/2
D	10-5/8	13-3/4	15-1/2	15 1/2
E	16	22	24	30
F				14-1/8
H(Dia.)	.38	.38	.38	.38
HOLES	4	4	4	8



Supply Duty Option And Supply Fan Accessories

For EPR, EXG, PD, HV, PB and HA Series Of Wall Fans



SUPPLY DUTY INFORMATION

Airmaster offers a supply duty option for the EPR, EXG, PD, HV, PB AND HA series wall fans. The fans are custom built with the venture facing the motor, allowing the fan to blow air into the building and still have the motor on the inside.

To order Supply Duty Fan, add "S" to EDP number and use list price divided by 0.80. Supply Duty fans are custom order products and are non-cancelable, non-returnable once in production.

Recommended optional accessories include the WC supply shutters, WS wall collars, WH weather hoods, FG front guards and RG rear guards. See pages 41, 49, 52, 54-58

WC SUPPLY SHUTTER SELECTION / INSTALLATION INFORMATION AND CAUTIONS:

The velocity profile near the fan blade tips (spot velocity) is non-uniform and will vary by fan model. This spot velocity condition can damage a backdraft damper if it exceeds the maximum recommended backdraft damper velocity. For this reason, it is recommended that the backdraft damper be mounted a minimum of 1/3 the fan diameter away from the fan outlet. When the fan motor horsepower is 7-1/2 and above the WC shutter should not be used.



Low Pressure Industrial Duty

MODEL PD



PD18 & 24



PD30 & 36

1 Year Warranty - FEATURES

- Totally Enclosed, Ball Bearing Motor
- High Efficiency
- 2 Speed, Single Phase; or, Single Speed,
- Three Phase Motors Available



Totally Encl. Two Speed *115V

◀ = EDP in Stock

EDP Number	Catalog No.	Prop Dia.	HP	Fan RPM	Capacity (CFM) @ "SP In. W.G.				Max. Sones @ 5'	Approx. Ship Wt.	List Price
					0"	1/10"	1/8"	1/4"			
◀ 24201	PD18T-D3A	18	1/6	1110	2680	2414	2332	1789	12.0	34	\$801
◀ 24211	PD24T-E3A	24	1/2	870	4860	4360	4270	2800	11.6	56	\$908
◀ 24221	PD30T-G3A	30	1/2	845	7380	6850	6750	5500	16.7	73	\$1,804
◀ 24231	PD36R-G3A	36	1/2	840	8664	7814	7545	5916	20.5	95	\$2,127

TEFC 1 Speed, 3 Ph. 230/460V

◀ = EDP in Stock

EDP Number	Catalog No.	Prop Dia.	HP	Fan RPM	Capacity (CFM) @ "SP In. W.G.				Max. Sones @ 5'	Approx. Ship Wt.	List Price
					0"	1/10"	1/8"	1/4"			
◀ 24260	PD24T-E8A	24	1/4	825	4610	4110	4020	2550	11.6	70	\$1,760
◀ 24270	PD30T-G8	30"	1/2	845	7380	6850	6750	5500	16.7	70	\$1,889
◀ 24280	PD36R-G8	36"	1/2	840	8664	7814	7545	5916	20.5	95	\$2,206

For supply duty add "S" prefix to EDP Number and use list price divided by 0.80. Supply Duty fans are custom orders and are non-cancelable, non returnable once in production.

PD24T-E3A not available as Supply Duty.

For *, see Controls below.

RECOMMENDED OPTIONAL ACCESSORIES (EDP Numbers in Parenthesis)

Prop Dia.	WRE Exhaust Shutter			WS Wall Collar		WC Supply Shutter			Safety Guards Prop Side (Front)			Safety Guards Motor Side (Rear)		
	Part No.	Price	Part No.	Price	Part No.	Price	Part No.	Price	Part No.	Price	Part No.	Price	Part No.	Price
18"	EASRMF20 (22974)	\$196	WS18 (06894)	\$342	WC18 (22631)	\$221	18FG (23670)	11# \$310	INCLUDED - - -					
24"	EASRMF26 (22975)	\$260	WS24 (06887)	\$362	WC24 (22641)	\$276	24FG (23675)	15# \$342	INCLUDED - - -					
30"	EASRMF32 (22976)	\$355	WS30 (06888)	\$546	WC30 (22651)	\$389	30FG (23680)	19# \$374	30RG (23625)	37# \$482				
36"	EASRMF38 (22977)	\$444	WS36 (06889)	\$581	WC36 (22661)	\$515	36FG (23685)	27# \$458	36RG (23630)	64# \$788				

See page 58 for prop side (front) & motor side (rear) guard dimensions. See page 56 for EASR and WC shutter selection/installation information, ship weights and cautions.

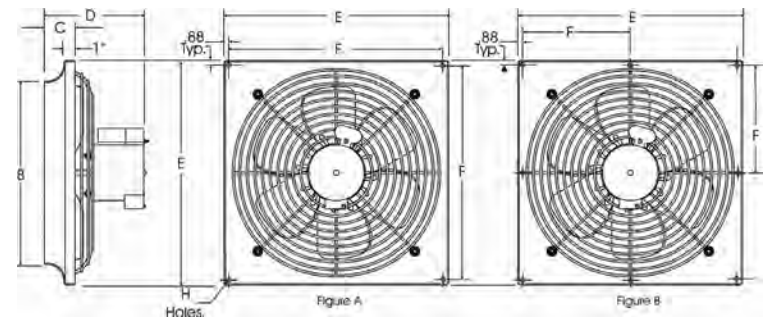
NOTE: When an EASR or WC shutter is used for exhaust or supply and mounted remote from the fan, a WS Wall Collar is not needed. The shutter is installed directly on the wall and a Motor Actuator Kit must be utilized.

NOTE: On 18" and 24" sizes, motor is guard mounted.

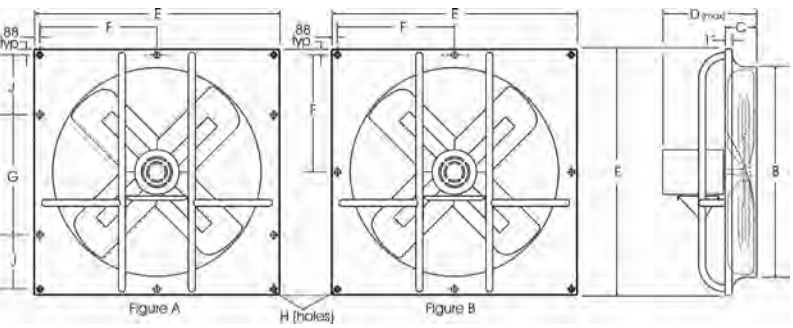
DIMENSIONS FOR PD (IN.)

Size	18"	24"	30"	36"
See Fig.	A	B	A	B
A(Dia.)	18	24	30	36
B	18 1/2	24 1/2	30 1/2	36 1/2
C	3	3 1/2	4-5/8	4 3/4
D	9-3/8	15 1/2	13 3/4	12 1/4
E	24	30	36	42
F	22 1/4	14-1/8	17-1/8	20-1/8
G				18 1/4
J				11
H(Dia.)	.38	.62	.62	.62
HOLES	4	8	8	10

PD 18" & 24" Illustration A



PD 30" & 36" Illustration B





Direct Drive Fans

Low Pressure Industrial Duty

MODEL PD

For Motorized Shutters Add Motor Kit

EASR Exhaust Motor Kit - For 9" to 36" Wall Louver

EDP Number	Catalog No.	List Price
22982	MTR-556 SP	\$397

WC Supply Duty Motor Kit - For 9" - 36" Supply Shutters

EDP Number	Catalog No.	Volt	List Price
22900	MK5047-B	120/240V, 9"-36" Sizes	\$397
22905	MK5047-C	440V, 9"-36" Sizes	\$364

Specify voltage needed when ordering..

Controls

EDP Number	Catalog No.	Model	Item	List Price
24852	Switch	-	*Two Speed Switch for Fan Only	\$60
85388	Switch	-	*Two Speed Switch for Fan & Supply Shutter	\$49
24820	T-1	T-1	Thermostat (115V only)	\$266

Manual Chain Operator - 1 Panel Exhaust Shutter (For 10" to 36")

EDP Number	Catalog No.	List Price
80111	Manual Chain Operator	\$206



**High Pressure High Velocity
MODELS HV & HVEX**



1 Year Warranty - FEATURES

- Fully Assembled - Ready to Install
- Totally Enclosed & Explosion Proof Motors
- Full Range of Accessories



◀ = EDP in Stock

Fans With Totally Enclosed Motors

EDP Number	Catalog No.	Prop Dia.	Motor HP	RPM	0" SP CFM	1/8" SP CFM	1/4" SP CFM	3/8" SP CFM	1/2" SP CFM	Max. Sones @ 5'	Volts	PH	Ship Wt.	List Price
◀ 25300	H12V76-1	12"	1/6	1750	1480	1360	1220	886	734	10.7	115/230	1	28	\$1,229
◀ 25305	H16V76-1	16"	1/2	1750	2700	2590	2390	2100	1740	18.5	115/230	1	44	\$1,497
25310	H16V836-1	16"	1/2	1750	2700	2590	2390	2100	1740	18.5	230/460	3	39	\$1,441
25315	H18V76-1	18"	1/2	1750	3900	3780	3575	3280	2880	23.0	115/230	1	46	\$1,607
◀ 25320	H18V836-1	18"	1/2	1750	3900	3780	3575	3280	2880	23.0	230/460	3	42	\$1,560
◀ 25335	H24V76-2	24"	1	1750	6860	6560	6240	5900	5426	35.4	115/230	1	88	\$2,079
◀ 25340	H24V836-2	24"	1	1750	6860	6560	6240	5900	5426	35.4	230/460	3	79	\$1,860
25355	H30V76-1	30"	1	1150	9470	8750	8030	7100	5900	29.0	115/230	1	51	\$3,842
25360	H30V836-1	30"	1	1150	9470	8750	8030	7100	5900	29.0	230/460	3	118	\$2,413
◀ 25365	H30V836-3	30"	3	1750	14400	13900	13450	13000	12500	60.1	230/460	3	130	\$2,631
25385	H36V836-3	36"	1-1/2	1150	13300	12400	11600	10600		37.1	230/460	3	203	\$2,856
◀ 25390	H36V836-1	36"	3	1750	16890	16179	15504	14816	14125	80.1	230/460	3	205	\$2,875
◀ 25395	H36V836-2	36"	5	1750	20300	19650	19100	18600	17950	76.5	230/460	3	225	\$3,274
25415	H42V836-3	42"	1-1/2	1150	15789	15044	14059	13020	11690	51.8	230/460	3	240	\$3,740
25420	H42V836-1	42"	3	1150	22100	21300	20500	19650	18650	51.3	230/460	3	295	\$4,469
◀ 25425	H42V836-2	42"	5	1150	26640	25968	25250	24350	23250	62.3	230/460	3	320	\$4,710
25445	H48V836-3	48"	3	850	27420	25800	24350	22600		40.7	230/460	3	315	\$6,392
◀ 25450	H48V836-2	48"	7-1/2	1150	37100	35800	34700	33600	32450	70.2	230/460	3	360	\$6,854

Fans With Explosion Proof Motors

EDP Number	Catalog No.	Prop Dia.	Motor HP	RPM	0" SP CFM	1/8" SP CFM	1/4" SP CFM	3/8" SP CFM	1/2" SP CFM	Max. Sones @ 5'	Volts	PH	Ship Wt.	List Price
25325	H18VEX76-1	18"	1/2	1750	3990	3780	3480	3020	2250	23.0	115/230	1	55	\$2,087
25330	H18V3EX836-1	18"	1/2	1750	3990	3780	3480	3020	2250	23.0	230/460	3	49	\$2,340
25345	H24VEX76-2	24"	1	1750	7820	7690	7450	7070	6450	35.4	115/230	1	47	\$2,577
25350	H24VEX836-2	24"	1	1750	7820	7690	7450	7070	6450	35.4	230/460	3	118	\$2,691
25370	H30VEX76-1	30"	1	1150	10440	9750	8750	7640	6000	29.0	115/230	1	110	\$6,068
25375	H30VEX836-1	30"	1	1150	10440	9750	8750	7640	6000	29.0	230/460	3	118	\$4,822
25380	H30VEX836-3	30"	3	1750	16000	15350	14700	13850	12900	60.1	230/460	3	202	\$4,862
25400	H36VEX836-3	36"	1-1/2	1150	17620	16500	15200	13620	12300	37.1	230/460	3	203	\$5,071
25405	H36VEX836-1	36"	3	1750	18500	17700	15700	15100	13900	80.1	230/460	3	205	\$5,104
25410	H36VEX836-2	36"	5	1750	23000	22150	21100	20200	19000	76.5	230/460	3	225	\$6,142
25435	H42VEX836-1	42"	3	1150	24500	23150	23000	22000	19650	51.3	230/460	3	275	\$6,789
25440	H42VEX836-2	42"	5	1150	28970	27960	26840	25700	24200	62.3	230/460	3	320	\$7,626
25460	H48VEX836-2	48"	7-1/2	1150	37000	35000	32800	30600	28000	70.2	230/460	3	360	\$9,758

Air Delivery Based on Standard Test Codes of AMCA.

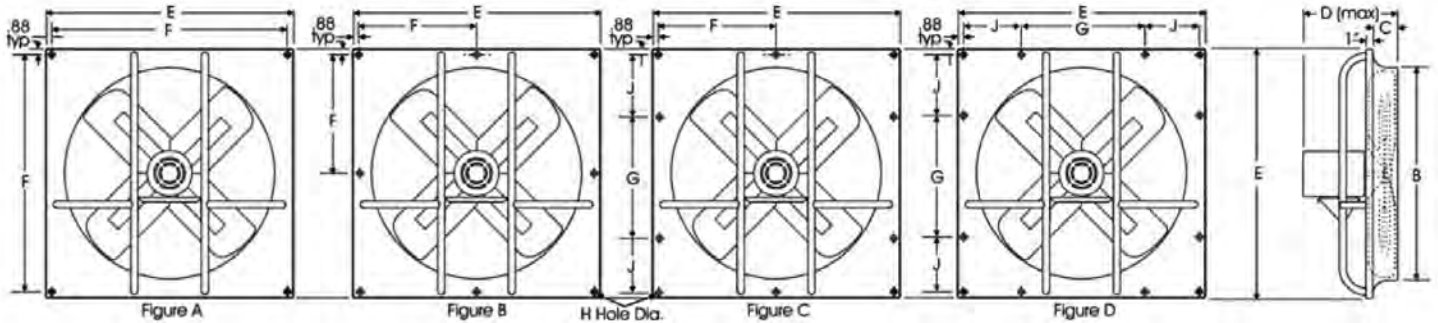
Explosion Proof motors are Class I, Group D and Class II, Groups F and G. UL listed. Propellers on Explosion Proof Models have spark resistant aluminum blades. See page 3 for further Explosion Proof Motor information. Shutters and Motor Kits are not Explosion Proof. Do not use speed control with HVEX fans.

Direct Drive Fans

High Pressure High Velocity

MODELS HV & HVEX

Fans With Explosion Proof Motors



DIMENSIONS (Inches)

See Fig.	FAN Size A	B	C	D		E	F	G	J	H (Dia.)	No. Holes
				1 Phase (Max)	3 Phase (Max)						
A	12"	12.25	1.25	10		16	14.25		-	.38	4
A	16"	16.5	1.75	12	12.25	22	18.25		-	.38	4
A	18"	18.5	1.75	10	10	24	22.25		-	.38	4
B	24"	24.5	2.50	12	12.25	30	14.12		-	.62	8
B	30"	30.5	3.00	15	14.75	36	17.12		-	.62	8
C	36"	36.5	3.25	15	15.75	42	21.12	20.25	10	.62	10
D	42"	42.5	3.25		20.00	48	---	20.25	13	.62	12
D	48"	48.5	3.25		22.50	54	---	20.25	16	.62	12

NOTES:

For Supply Duty, add "S" prefix to EDP Number and use list price divided by 0.80. Supply Duty fans are custom orders and are non-cancelable, non returnable once in production.

Explosion Proof Motors are Class I, Group D and Class II, Groups F and G. UL Listed Propellers on Explosion Proof Models have spark resistant aluminum blades. See page 3 for further Explosion Proof Motor information.

If Supply Shutter is remote from fan, it must be motorized. Shutters and Motor Kits are not Explosion Proof.



HV & HVEX Accessories



Recommended Optional Accessories For Fans With Totally Enclosed Motors & Explosion Proof Motors

EASR Exhaust Shutter

EDP Number	Catalog No.	List Price
22971	EASR-MF-12"	\$135
22973	EASR-MF-18"	\$181
22974	EASR-MF-20"	\$196
22975	EASR-MF-26"	\$260
22976	EASR-MF-32"	\$355
22977	EASR-MF-38"	\$444
22978	EASR-MF-44"	\$720
22979**	EASR-MF-50"	\$841
22747†	WRHD48	\$1,204

WS Wall Collar

EDP Number	Catalog No.	List Price
06884	WS12	\$277
06886	WS18E	\$365
06894	WS18	\$342
06887	WS24	\$362
06888	WS30	\$546
06889	WS36	\$581
06890	WS42	\$671
06891	WS48	\$776

WC Supply Shutter*

EDP Number	Catalog No.	List Price
22755	WC10	\$176
22621	WC16	\$186
22631	WC18	\$221
22641	WC24	\$276
22651	WC30	\$389
22661	WC36	\$515
22671	WC42	\$725
22681	WC48	\$870

Safety Guard Prop Side (Front)

EDP Number	Catalog No.	Wt.	List Price
23660	12FG	7	\$257
23665	16FG	11	\$273
23670	18FG	11	\$310
23675	24FG	15	\$342
23680	30FG	19	\$374
23685	36FG	27	\$458
23690	42FG	34	\$543
23695	48FG	40	\$593

NOTES:

Do not use Shutter Motor Kits with Explosion Proof Motors. WS Wall Collars are shipped knocked down. WC Supply Shutters are not weather resistant. It is recommended that the WC be used with a weatherhood. 48" & 54" Shutters - Double Panel Type; 60" - 3 Panel Type; 24" - 48" Weatherhoods Available.

See page 57 for WS Collar Dimensions.

See page 53 for Heavy Duty Shutters.

See page 56 for EASR and WC shutter selection/installation information, ship weights and cautions.

Submittal sheets available at www.airmasterfan.com

Safety Guard Motor Side (Rear)

EDP Number	Catalog No.	Wt.	List Price
23605	12RG	15	\$298
23610	16RG	21	\$374
23615	18RG	23	\$426
23620	24RG	28	\$450
23625	30RG	37	\$482
23630	36RG	64	\$788
23635	42RG	75	\$1,010
23640	48RG	85	\$1,232

NOTE: When an EASR-MF or WC shutter is used for exhaust or supply and mounted remote from the fan, a WS Wall Collar is not needed. The shutter is installed directly on the wall and a Motor Actuator Kit must be utilized. EASR-MF -44 and EASR-MF-50 are two panel construction.

See page 58 for prop side (front) and motor side (rear) guard dimensions.

See below for Motor Kits for motorized wall louvers.

Optional Weatherhoods

EDP Number	Catalog No.	List Price
99915	WH24	\$930
99916	WH30	\$1,159
99917	WH36	\$1,434
99921	WH42	\$1,674
99923	WH48	\$1,846

See page 58 for Weatherhood Dimensions

For Motorized Wall Shutters Add Motor Kit*

Exhaust Motor Kits

EDP Number	Catalog No.	Description	List Price
22982	MTR-556 SP	120/240 Volt, for 10 in sq - 32 in sq exh shutters	\$397
22983	MTR-556	DP 120/240 Volt, for 36 in sq - 48 in sq exh shutters	\$675
22984	MTR-885 DP	120/240 Volt, for 56 in sq - 62 in sq exh shutters*	\$397

Please specify voltage needed when ordering.

Units are for single phase operation.

Exhaust shutter Manual chain operators

EDP Number	Catalog No.	Description	List Price
80111	Manual Chain Operator	For EASR 1 Panel Shutter	\$206
80112	Manual Chain Operator	For EASR 2 Panel Shutters	\$468

Supply Motor Kits

EDP Number	Catalog No.	Description	List Price
22900	MK5047-B	120/240 Volt, for 9" - 36" supply shutters	\$397
22905	MK5047-C	440 Volt, for 9" - 36" supply shutters	\$364
22908	MK5047-E	550 Volt, for 9" - 36" supply shutters	\$364
22910	MK-4782-F	120/240 Volt, for 42" - 54" supply shutters	\$637
22915	MK-4782-C	440 Volt, for 42" - 54" supply shutters	\$637
22918	MK-4782-E	550 Volt, for 42" - 54" supply shutters	\$612
22900	MK5047-B	120/240 Volt, for 60" supply shutters***	\$397
22905	MK5047-C	440 Volt, for 60" supply shutters***	\$364
22908	MK5047-E	550 Volt, for 60" supply shutters***	\$364

Please specify voltage needed when ordering.

All units are for single phase operation.

** 60" requires (1) one MK-5047 plus (1) one MK-4782 motor kits.



Belt Drive Cabinet Fan with Auto Shutters



115V, 115/230V & 230/460V

MODEL CWF

1 Year Warranty - Fully Assembled for Quick Installation

FEATURES

- Heavy Gauge Galvanized Steel Housing
- Aluminum Shutters, Inlet Guard, Ball Bearing Motor
- 115V, 115/230V 1 Phase & 230/460V 3 Phase Motors



PERFORMANCE 115V, 115/230V & 230/460V

Prop Dia.	Cabinet Size	0" SP CFM	1/8" SP CFM	1/4" SP CFM	RPM
30"	36 1/2" x 19"W or 25"W	6066	3370	2714	574
36"	42 1/2" x 19"W or 25"W	8143	4044	2814	415
42"	48 1/2" x 19"W or 25"W	11039	5950	5397	413
48"	54 1/2" x 19"W or 25"W	14970	10509	7084	372

◀ = EDP in Stock

ODP* 115V

EDP Number	Catalog No.	Prop Dia.	Cabinet Size			HP	PH	Max. Sones @ 5'	Ship Wt.	List Price
			A	B	C					
◀ 39220	CWF-30-2A	30"	36 1/2"	36 1/2"	19"	1/2 (ODP)	1	10.99	139	\$2,436
◀ 39230	CWF-36-2A	36"	42 1/2"	42 1/2"	19" 1/2	(ODP)	1	9.5	150	\$2,729
◀ 39240	CWF-42-3A	42"	48 1/2"	48 1/2"	19" 3/4	(ODP)	1	12.6	275	\$4,406
◀ 39250	CWF-48-4A	48"	54 1/2"	54 1/2"	19"	1 (ODP)	1	12.5	310	\$4,772

TEFC* 115/230V

EDP Number	Catalog No.	Prop Dia.	Cabinet Size			HP	PH	Max. Sones @ 5'	Ship Wt.	List Price
			A	B	C					
39236	CWF-36-3A51E	36"	42 1/2"	42 1/2"	25"	3/4 (TEFC)	1	9.5	177	\$3,818
39257	CWF-48-4A1E	48"	54 1/2"	54 1/2"	25"	1 (TEFC)	1	12.5	341	\$4,828

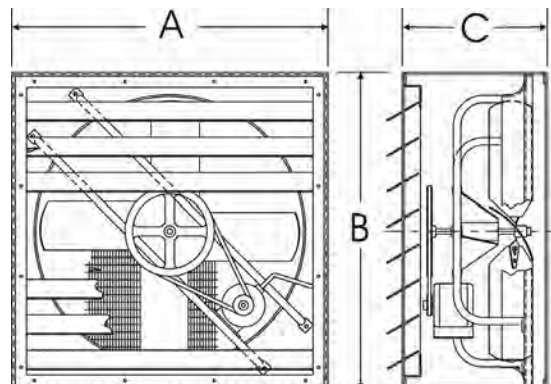
TEFC* 230/460V

EDP Number	Catalog No.	Prop Dia.	Cabinet Size			HP	PH	Max. Sones @ 5'	Ship Wt.	List Price
			A	B	C					
39223	CWF-30-2A3E	30"	36 1/2"	36 1/2"	25"	1/2 (TEFC)	3	10.9	153	\$3,406
39237	CWF-36-2A3E	36"	42 1/2"	42 1/2"	25"	1/2 (TEFC)	3	9.5	181	\$3,605
39247	CWF-42-3A3E	42"	48 1/2"	48 1/2"	25"	3/4 (TEFC)	3	12.6	297	\$4,512
39255	CWF-48-4A3E	48"	54 1/2"	54 1/2"	25"	1 (TEFC)	3	12.5	341	\$5,052

EXP* 115/230V

EDP Number	Catalog No.	Prop Dia.	Cabinet Size			HP	PH	Max. Sones @ 5'	Ship Wt.	List Price
			A	B	C					
39225	CWF-30-2A1X	30"	36 1/2"	36 1/2"	25"	1/2 (EXP)	1	10.9	168	\$4,016
39234	CWF-36-2A1X	36"	42 1/2"	42 1/2"	25"	1/2 (EXP)	1	9.5	181	\$4,688
39241	CWF-42-3A1X	42"	48 1/2"	48 1/2"	25"	3/4 (EXP)	1	12.6	317	\$5,691
39246	CWF-48-4A1X	48"	54 1/2"	54 1/2"	25"	1 (EXP)	1	12.5	353	\$6,221

*ODP = Open Drip Proof Motor, TEFC = Totally Enclosed, Fan Cooled Motor, EXP = Explosion Proof Motor, Class I, Group D; Class II, Groups F & G. See page 3 for further Explosion Proof Motor information.





Low Pressure Belt Drive Exhaust Fans

115V, 230/460V

MODEL PB



1 Year Warranty - FEATURES

- Economy Wall Exhaust Fan
- Completely Assembled - Ready to Install
- Available for Exhaust or Supply



Fans With Motor And Drive Shipped Mounted

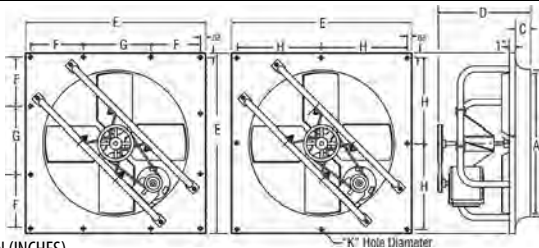
1/3 & 1/2 HP 2 Speed ODP, 1 Phase 115V ◀ = EDP in Stock

EDP Number	Catalog No.	Prop Dia.	HP	Fan RPM	Capacity (CFM) @ "SP		Max Sones @ 5'	Ship Wt.	List Price
					0"	1/8"			
25602	PB24RA-F1A	24"	1/3	710	4973	3862	10.21	53	\$1,342
◀ 25612	PB24RA-G1A	24"	1/2	850	5953	5001	14.2	55	\$1,399
25622	PB30RA-F1A	30"	1/3	510	7012	5163	9.0	60	\$1,395
◀ 25632	PB30RA-G1A	30"	1/2	600	8249	6720	11.7	64	\$1,422
25652	PB36RA-F1A	36"	1/3	375	9048	6980	8.5	69	\$1,627
◀ 25662	PB36RA-G1A	36"	1/2	440	10616	8120	11.5	72	\$1,649
25682	PB42RA-F1A	42"	1/3	340	10808	6812	8.4	97	\$2,246
25692	PB42RA-G1A	42"	1/2	386	12271	9304	10.8	100	\$2,263
25702	PB42RA-H3A	42"	3/4	445	14146	11672	14.0	109	\$2,489
◀ 25712	PB42RA-I3A	42"	1	495	15736	13568	16.8	107	\$2,499
25722	PB48RA-G1A	48"	1/2	320	14609	10154	10.1	110	\$2,407
25732	PB48RA-H3A	48"	3/4	370	16891	13393	15.0	115	\$2,607
◀ 25742	PB48RA-I3A	48"	1	406	18535	15457	16.8	125	\$2,586

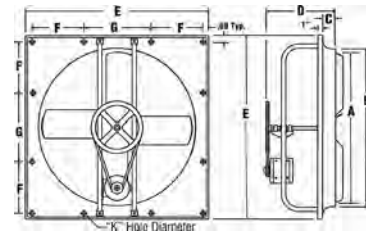
Single Speed ODP, 3 Phase 230/460V

EDP Number	Catalog No.	Prop Dia.	HP	Fan RPM	Capacity (CFM) @ "SP		Max Sones @ 5'	Ship Wt.	List Price
					0"	1/8"			
25801	PB24RA-F8A	24"	1/3	710	4973	3862	10.2	57	\$1,330
25811	PB24RA-G8A	24"	1/2	850	5953	5001	14.2	59	\$1,673
25821	PB30RA-F8A	30"	1/3	510	7012	5163	9.0	65	\$1,365
25831	PB30RA-G8A	30"	1/2	600	8249	6720	11.7	59	\$1,679
25851	PB36RA-F8A	36"	1/3	375	9048	6980	8.5	74	\$1,599
◀ 25861	PB36RA-G8A	36"	1/2	440	10616	8120	11.5	69	\$1,914
25881	PB42RA-F8A	42"	1/3	340	10808	6812	8.4	106	\$2,233
25891	PB42RA-G8A	42"	1/2	386	12271	9304	10.8	98	\$2,548
◀ 25911	PB42RA-I8A	42"	1	495	15736	13568	16.8	105	\$2,770
25921	PB48RA-G8A	48"	1/2	320	14609	10154	10.1	112	\$2,695
25941	PB48RA-I8A	48"	1	406	18535	15457	16.8	127	\$2,888

PB24 to PB36



PB42 & PB48



APPROXIMATE DIMENSION (INCHES)

Prop Dia.	See Figure	A	B	C	D	E	F	G	H	K	No. Holes
24	2	24	24-1/2	2-1/2	17-7/8	30	-	-	14.12	.62	8
30	2	30	30-1/2	3.63	18-3/8	36	-	-	17.12	.62	8
36	3	36	36-1/2	3.5	18-5/8	42	10	20.25	-	.62	12
42	1	42	42-1/2	3.25	24-3/4	48	13	20.25	-	.62	12
48	1	48	48-1/2	3.25	24-3/4	54	16	20.25	-	.62	12

NOTES: For Supply Duty, add "S" prefix to EDP Number and use list price divided by 0.80. Supply Duty fans are custom orders and are Non-cancelable, non returnable once in production. If used for Supply, a Motor Actuator Kit must be utilized with shutter.

Low Pressure Belt Drive Exhaust Fans

PB Accessories Wall Shutters



Wall Collar



Exhaust - Automatic

Recommended Optional Accessories

EDP Number	Catalog No.	List Price
22975	EASR-MF-26"	\$260
22976	EASR-MF-32"	\$355
22977	EASR-MF-38"	\$444
22978	EASR-MF-44"	\$720
22979	EASR-MF-50"	\$841

EDP Number	Catalog No.	List Price
06887	WS24	\$362
06888	WS30	\$546
06889	WS36	\$581
06890	WS42	\$671
06891	WS48	\$776

WC Supply Shutters are not weather resistant. It is recommended that the WC be used with a weatherhood. EASR-MF-44 – EASR-MF-56 are two panel construction.

See page 56 for EASR and WC shutter selection/installation information, ship weights and cautions. See page 58 for safety prop side (front) and motor side (rear) guard dimensions.

See page 88 for Motor Kits for motorized wall louvers.

NOTE: When an EASR or WC shutter is used for exhaust or supply and mounted remote from the fan, a WS Wall Collar is not needed.

The shutter is installed directly on the wall and a Motor Actuator Kit must be utilized.

Supply - Automatic

EDP Number	Catalog No.	List Price
22641	WC24	\$276
22651	WC30	\$389
22661	WC36	\$515
22671	WC42	\$725
22681	WC48	\$870

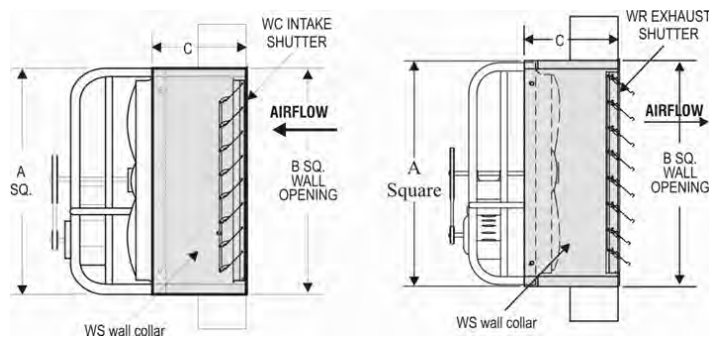
WALL COLLAR DIMENSIONS

Size	A Sq.	B Sq.	C
24"	30	31	14
30"	36	37	14 1/2
36"	42	43	17
42"	48	49	19
48"	54	55	21

Safety Guard Prop Side (Front)



EDP Number	Catalog No.	List Price
23675	24FG	\$342
23680	30FG	\$374
23685	36FG	\$458
23690	42FG	\$543
23695	48FG	\$593



Typical Wall Collar Installations

Safety Guard Motor Side (Rear)



Optional Weatherhoods

EDP Number	Catalog No.	List Price
99915	WH24 24"	\$930
99916	WH30 30"	\$1,159
99917	WH36 36"	\$1,434
99921	WH42 42"	\$1,674
99923	WH48 48"	\$1,846

See page 58 for Weatherhood Dimensions.

EDP Number	Catalog No.	List Price
23620	24RG	\$450
23625	30RG	\$482
23630	36RG	\$788
23635	42RG	\$1,010
23640	48RG	\$1,232



MODEL HA



1 Year Warranty - Energy Efficient

FEATURES

- Available for Exhaust or Supply
- Epoxy Coated
- Precision Balanced Propellers
- Quiet



Catalog No.	Prop Dia.	HP	Fan RPM	Max BHP	0" SP CFM	1/8" SP CFM	1/4" SP CFM	3/8" SP CFM	1/2" SP CFM	Max Sones @5'	Ship Wt
HA24CA	24"	1/4	746	0.28	4398	3745				12.4	70
HA24DA	24"	1/3	805	0.37	4746	4210	2885			12.9	80
HA24FA	24"	1/2	980	0.64	5778	5409	4617			18.4	85
HA24HA	24"	3/4	1080	0.86	6367	6049	5502	4428		22.6	92
HA24JA	24"	1	1180	1.14	6957	6674	6257	5453	4462	26.3	111
HA24KA	24"	1-1/2	1340	1.63	7900	7658	7349	6867	6067	34.0	121
HA30DA	30"	1/3	530	0.36	6518	4821	2608			8.8	98
HA30FA	30"	1/2	640	0.55	7871	6735	4669			12.8	103
HA30HA	30"	3/4	730	0.85	8978	8080	6439	4690		19.3	108
HA30JA	30"	1	820	1.14	10085	9333	8114	6425		20.8	127
HA30KA	30"	1-1/2	930	1.67	11438	10804	9913	8579	7089	28.2	136
HA36FA	36"	1/2	561	0.56	9720	8211	5602			14.0	122
HA36HA	36"	3/4	650	0.83	11262	10143	7951			18.1	128
HA36JA	36"	1	720	1.10	12475	11533	9805			21.8	148
HA36KA	36"	1-1/2	820	1.65	14207	13429	12223	10377		26.3	157
HA36MA	36"	2	890	2.15	15420	14721	13739	12219	10464	30.3	172
HA42FA	42"	1/2	410	0.58	12797	9882				12.0	169
HA42HA	42"	3/4	453	0.83	14139	11686	7833			14.4	170
HA42JA	42"	1	500	1.08	15606	13517	10254			17.1	215
HA42KA	42"	1-1/2	583	1.66	18197	16533	14113			21.1	225
HA42MA	42"	2	635	2.20	19820	18339	16298	13666		24.8	235
HA42OA	42"	3	725	3.28	22629	21378	19787	17760	15381	31.8	255
HA48HA	48"	3/4	395	0.86	17392	14182				15.9	223
HA48JA	48"	1	420	1.13	18493	15544	10953			16.6	225
HA48KA	48"	1-1/2	485	1.67	21335	18883	15665			23.4	230
HA48MA	48"	2	535	2.31	23556	20848	18132	14264		26.1	245
HA48OA	48"	3	610	3.43	26858	24896	22832	20205		35.5	265
HA48PA	48"	5	690	4.79	30381	28610	26909	24888	22419	53.9	285
HA54JA	54"	1	301	1.11	21524	17049	8814			12.6	310
HA54KA	54"	1-1/2	353	1.65	25243	21902	15939			16.2	313
HA54MA	54"	2	383	2.20	27388	24450	19521	12944		18.7	320
HA54OA	54"	3	437	3.31	31250	28802	25241	20099	14178	23.4	370
HA54PA	54"	5	527	5.50	37686	35717	33353	30099	25907	31.8	385
HA54QA	54"	7-1/2	600	8.13	42906	41174	39308	36935	33896	41.4	455
HA60KA	60"	1-1/2	295	1.64	28923	24368	16985			22.1	395
HA60MA	60"	2	328	2.20	32158	28269	22401			26.1	400
HA60OA	60"	3	373	3.29	36570	33294	28826	22824		30.3	450
HA60PA	60"	5	447	5.50	43825	41170	38024	33975		44.3	465
HA60QA	60"	7-1/2	510	8.18	50002	47680	45165	42090	38385	57.2	535
HA60RA	60"	10	570	11.31	55885	53786	51667	49180	46262	68.5	555

See Page 53 For EDP# And List Price

NOTES:

If Motor & Drive to be shipped separately: Use above EDP Numbers and add "K" suffix. Example: 42500K

Fans ordered with Explosion Proof Motors will always be shipped mounted. Consult factory for Two Speed Motors, Explosion Proof Motors, Motors requiring Thermal Overload Protection, Dual Belt and Variable Pitch Drives & Cost of Epoxy Coating on Props.

For Supply Duty, add "S" prefix to EDP Number and use list price divided by 0.80. Supply Duty fans are custom orders and are non-cancelable, non returnable once in production.



High Pressure Belt Drive Fans

MODEL HA

Single Speed, Open Drip Proof

1 Phase, 115V

Fans With Motor And Drive Shipped Mounted

EDP Number	Catalog No.	List Price
42500	HA24CA	\$1,650
42509	HA24DA	\$1,682

1 Phase, 115/230V

EDP Number	Catalog No.	List Price
42530	HA24FA	\$1,947
42545	HA24HA	\$1,996
42563	HA24JA	\$1,938
42575	HA24KA	\$2,225
42605	HA30FA	\$2,151
42624	HA30HA	\$2,154
42639	HA30JA	\$2,214
42657	HA30KA	\$2,540
42672	HA36FA	\$2,309
42684	HA36HA	\$2,347
42702	HA36JA	\$2,410
42717	HA36KA	\$2,711
42756	HA42FA	\$2,805
42768	HA42HA	\$2,741
42780	HA42JA	\$2,816
42798	HA42KA	\$3,265
42828	HA48HA	\$3,201
42840	HA48JA	\$3,058
42855	HA48KA	\$3,608
42909	HA54JA	\$4,610
42921	HA54KA	\$4,867
42963	HA60KA	\$5,325

3 Phase, 230/460V

EDP Number	Catalog No.	List Price
42503	HA24CA	\$1,741
42512	HA24DA	\$1,836
42533	HA24FA	\$1,886
42548	HA24HA	\$1,889
42566	HA24JA	\$1,862
42581	HA24KA	\$2,052
42593	HA30DA	\$1,974
42608	HA30FA	\$2,090
42627	HA30HA	\$2,091
42642	HA30JA	\$2,130
42663	HA30KA	\$2,240
42675	HA36FA	\$2,248
42687	HA36HA	\$2,282
42705	HA36JA	\$2,325
42720	HA36KA	\$2,365
42744	HA36MA	\$2,509
42759	HA42FA	\$2,768
42771	HA42HA	\$2,670
42783	HA42JA	\$2,832
42801	HA42KA	\$2,871
42813	HA42MA	\$2,999
42822	HA42OA	\$3,295
42831	HA48HA	\$3,091
42843	HA48JA	\$3,048
42858	HA48KA	\$3,282
42870	HA48MA	\$3,218
42882	HA48OA	\$3,467

42900	HA48PA	\$3,645
42912	HA54JA	\$4,511
42924	HA54KA	\$4,463
42933	HA54MA	\$4,649
42939	HA54OA	\$4,684
42945	HA54PA	\$5,118
42957	HA54QA	\$6,544
42966	HA60KA	\$4,983
42975	HA60MA	\$5,020
42984	HA60OA	\$5,047
42996	HA60PA	\$5,482
43011	HA60QA	\$7,028
43020	HA60RA	\$7,085

Single Speed, Totally Enclosed

1 Phase, 115/230V

◀ = EDP in Stock

EDP Number	Catalog No.	List Price
42518	HA24DA	\$1,937
42539	HA24FA	\$2,055
42554	HA24HA	\$2,075
◀ 42569	HA24JA	\$2,053
42584	HA24KA	\$2,600
42596	HA30DA	\$2,145
42618	HA30FA	\$2,170
42630	HA30HA	\$2,289
◀ 42648	HA30JA	\$2,325
42666	HA30KA	\$2,305
42678	HA36FA	\$2,426
42696	HA36HA	\$2,384
◀ 42708	HA36JA	\$2,517
◀ 42732	HA36KA	\$2,463
42762	HA42FA	\$2,919
42774	HA42HA	\$2,785
42786	HA42JA	\$3,028
42807	HA42KA	\$3,163
42834	HA48HA	\$3,285
42846	HA48JA	\$3,321
42861	HA48KA	\$3,420
42915	HA54JA	\$4,738
42927	HA54KA	\$4,917
42969	HA60KA	\$5,252

Power ratings (BHP) do not include drive losses. Performance shown is for installation Type A: Free Inlet, Free Outlet. Performance ratings do not include the effects of appurtenances in the airstream.

Fans Less Motor & Drive

EDP Number	Catalog No.	List Price
95100	HA24	\$1,149
95104	HA30	\$1,339
95108	HA36	\$1,532
95112	HA42	\$2,012
95116	HA48	\$2,265
95120	HA54	\$3,351
95124	HA60	\$3,574

WR Heavy Duty Exhaust Shutters

EDP Number	Catalog No.	Shutter Size	Number of Panels	Motor Kit (# Required for WRHD)	List Price
22747	WRHD48	50" x 50"	2	MK-4621 (1)	\$1,204
22748	WRHD54	56" x 56"	2	MK-4621 (1)	\$1,710
22749	WRHD60	62" x 62"	3	MK-4620 & MK-4621 (1)	\$1,875



MODEL HA And Accessories



1 Year Warranty - Single Speed, Totally Enclosed
3 Phase, 230/460V ◀ = EDP in Stock

EDP Number	Catalog No.	HA Model	# List Price
42506	HA24CA	HA24CA	\$1,867
42521	HA24DA	HA24DA	\$1,842
42542	HA24FA	HA24FA	\$1,950
◀ 42557	HA24HA	HA24HA	\$2,003
42572	HA24JA	HA24JA	\$1,921
42587	HA24KA	HA24KA	\$2,202
42599	HA30DA	HA30DA	\$2,043
42621	HA30FA	HA30FA	\$2,145
42633	HA30HA	HA30HA	\$2,199
42651	HA30JA	HA30JA	\$2,237
42669	HA30KA	HA30KA	\$2,219
42681	HA36FA	HA36FA	\$2,347
42699	HA36HA	HA36HA	\$2,293
◀ 42711	HA36JA	HA36JA	\$2,426
◀ 42735	HA36KA	HA36KA	\$2,517
42753	HA36MA	HA36MA	\$2,549
42765	HA42FA	HA42FA	\$2,859
42777	HA42HA	HA42HA	\$2,887
42789	HA42JA	HA42JA	\$2,846
◀ 42810	HA42KA	HA42KA	\$3,026
42816	HA42MA	HA42MA	\$3,037
42825	HA42OA	HA42OA	\$3,509
42837	HA48HA	HA48HA	\$3,233
42849	HA48JA	HA48JA	\$3,247
42864	HA48KA	HA48KA	\$3,340
◀ 42876	HA48MA	HA48MA	\$3,341
◀ 42891	HA48OA	HA48OA	\$3,681
42903	HA48PA	HA48PA	\$4,140
42918	HA54JA	HA54JA	\$4,527
42930	HA54KA	HA54KA	\$4,639
42936	HA54MA	HA54MA	\$4,647
42942	HA54OA	HA54OA	\$4,854
◀ 42951	HA54PA	HA54PA	\$5,134
42960	HA54QA	HA54QA	\$5,847
42972	HA60KA	HA60KA	\$5,161
42981	HA60MA	HA60MA	\$5,069
42990	HA60OA	HA60OA	\$5,521
43005	HA60PA	HA60PA	\$5,725
◀ 43017	HA60QA	HA60QA	\$6,506
43026	HA60RA	HA60RA	\$8,104

Wall Shutters

Recommended Optional Accessories

EDP Number	Catalog No.	List Price
22975	EASR-MF-26"	\$260
22976	EASR-MF-32"	\$355
22977	EASR-MF-38"	\$444
22978	EASR-MF-44"	\$720
22979	EASR-MF-50"	\$841
22980	EASR-MF-56"	\$1,004
22748	WRHD54	\$1,710
22981	EASR-MF-62"	\$1,406
22749	WRHD60	\$1,875

See page 88 for Motor Kits
**Motor kits for motorized wall louvers.

Wall Collar

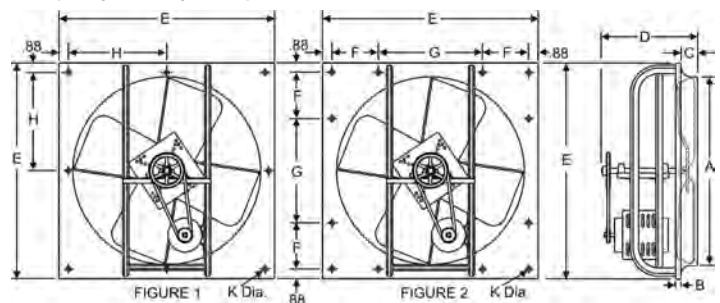
EDP Number	Catalog No.	List Price
06887	WS24	\$362
06888	WS30	\$546
06889	WS36	\$581
06890	WS42	\$671
06891	WS48	\$776
06892	WS54	\$1,276
06893	WS60	\$1,604

See page 58 for prop (front) and motor (rear) side guard dimensions.
NOTE: When an EASR or WC shutter is used for exhaust or supply and mounted remote from the fan, a WS Wall Collar is not needed.
The shutter is installed directly on the wall and a Motor Actuator Kit must be utilized.
♦ Wall Collar and/or Guard shipped unassembled for ease of handling. WS Wall Collars are shipped knocked down.
WC Supply Shutters are not weather resistant. It is recommended that the WC be used with a weatherhood. For Weatherhood dimensions see page 58. EASR-MF44 – EASRMF56 are two panel construction EASR-MF62 is three panel.

HA DIMENSIONS

Model	See Figure	A	B	C	D	E	G	H	K	No. Holes
HA24	1	24-7/16	1	2-1/2	15-3/16	30	-	14-1/8	5/8	8
HA30	1	30-1/2	1	2-5/8	18-5/8	36	-	17-1/8	5/8	8
HA36	1	36-1/2	1-1/2	3-1/4	19-1/8	42	-	20-1/8	5/8	8
HA42	2	42-1/2	2	3-1/4	23-3/4	48	18-1/4	-	5/8	12
HA48	2	48-1/2	2	3-1/4	24-7/8	54	18-1/4	-	5/8	12
HA54	2	54-1/2	2	3-1/4	23-7/16	60	18-1/4	-	5/8	12
HA60	2	60-1/2	2	3-1/4	23-7/16	66	18-1/4	-	5/8	12

Wall opening size is larger than panel size.

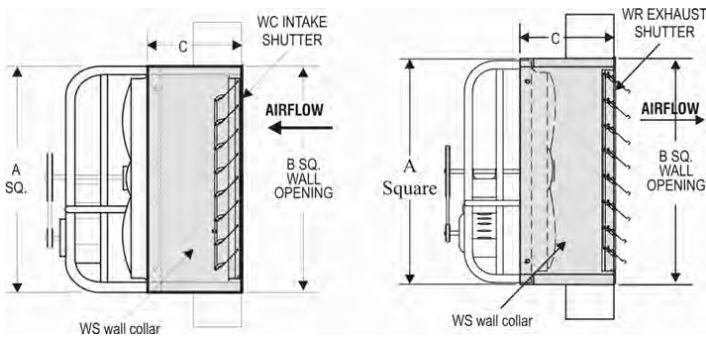


NOTES:
If used for Intake, a Motor Actuator Kit must be utilized with shutter.
See page 56 for EASR and WC shutter selection/installation information, ship weights and cautions.
† WRHD Heavy Duty Shutter to be used with 5, 7-1/2 and 10 HP fans.
See page 53 for WRHD Heavy Duty Shutter information.

High Pressure Belt Drive Fans

MODEL HA And Accessories

Wall Collar



WALL COLLAR DIMENSIONS

Size	A Sq.	B Sq.	C
24"	30	31	14
30"	36	37	14 1/2
36"	42	43	17
42"	48	49	19
48"	54	55	21
54"	60	61	23
60"	66	67	25

Wall Shutters

Automatic Supply

EDP Number	Catalog No.	List Price
22641	WC24	\$276
22651	WC30	\$389
22661	WC36	\$515
22671	WC42	\$725
22681	WC48	\$870
22691	WC54	\$1,120
22701	WC60	\$1,385

See page 88 for Motor Kits

Safety Guards

Prop Side (Front)

EDP Number	Catalog No.	Wt	List Price
23675	24FG	15	\$342
23680	30FG	19	\$374
23685	36FG	27	\$458
23690	42FG	34	\$543
23695	48FG	40	\$593
23700	54FG	75	\$697
23705	60FG	90	\$802

Motor Side (Rear)

EDP Number	Catalog No.	Wt	List Price
23620	24RG	28	\$450
23625	30RG	37	\$482
23630	36RG	64	\$788
23635	42RG	75	\$1,010
23640	48RG	85	\$1,232
23645	54RG	92	\$1,410
23650	60RG	102	\$1,601

Weather Hoods

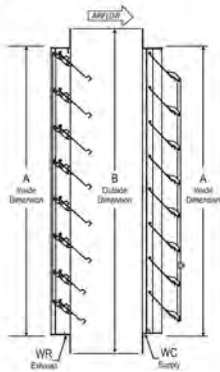
EDP Number	Catalog No.	Description	List Price
99915	WH24	Hood for 24" Unit	\$930
99916	WH30	Hood for 30" Unit	\$1,159
99917	WH36	Hood for 36" Unit	\$1,434
99921	WH42	Hood for 42" Unit	\$1,674
99923	WH48	Hood for 48" Unit	\$1,846
99918	WH54	Hood for 54" Unit	\$2,281
99919	WH60	Hood for 60" Unit	\$2,487



EASR & WC SHUTTERS
Aluminum Exhaust & Supply Shutters

FEATURES

- Indoor / Outdoor, Wall / Ceiling Mounts
- Opens with Fan Pressure
- Gravity Closes When Fan is Turned Off



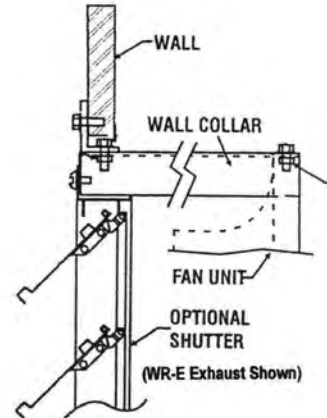
EDP Number	Catalog No.	For Fans Diameter	Type	Inside	Outside	Req. Open. (Sq. In.)	No. Holes 17/64" Dia.	Sections S	Ship Wt.	Motor Kits	List Price
22970	EASR-MF-10"	10"	EXHAUST	10" SQ.	13" SQ.	10 3/4"	8	1	3	MTR-556 SP	\$135
22971	EASR-MF-12"	10"	EXHAUST	12" SQ.	15" SQ.	12 3/4"	8	1	3	MTR-556 SP	\$135
22972	EASR-MF-14"	12"	EXHAUST	14" SQ.	17" SQ.	14 3/4"	8	1	4	MTR-556 SP	\$142
22973	EASR-MF-18"	16"	EXHAUST	18" SQ.	21" SQ.	18 3/4"	12	1	5	MTR-556 SP	\$181
22974	EASR-MF-20"	18"	EXHAUST	20" SQ.	23" SQ.	20 3/4"	12	1	5	MTR-556 SP	\$196
22975	EASR-MF-26"	24"	EXHAUST	26" SQ.	29" SQ.	26 3/4"	12	1	9	MTR-556 SP	\$260
22976	EASR-MF-32"	30"	EXHAUST	32" SQ.	35" SQ.	32 3/4"	16	1	12	MTR-556 SP	\$355
22977	EASR-MF-38"	36"	EXHAUST	38" SQ.	41" SQ.	38 3/4"	16	1	16	MTR-556 SP	\$444
22978	EASR-MF-44"	42"	EXHAUST	44" SQ.	47" SQ.	44 3/4"	20	2	20	MTR-556 DP	\$720
22979	EASR-MF-50"	48"	EXHAUST	50" SQ.	53" SQ.	50 3/4"	20	2	23	MTR-556 DP	\$841
22980	EASR-MF-56"	54"	EXHAUST	56" SQ.	59" SQ.	56 3/4"	24	2	27	MTR-556 DP	\$1,004
22981	EASR-MF-62"	60"	EXHAUST	62" SQ.	65" SQ.	62 3/4"	24	3	30	MTR-885 DP	\$1,406
22754	WC9	10"	SUPPLY	10" SQ.	13" SQ.	10 3/4"	8	1	3	MK-5047	\$164
22755	WC10	10"	SUPPLY	12" SQ.	15" SQ.	12 3/4"	8	1	4	MK-5047	\$176
22611	WC12	12"	SUPPLY	14" SQ.	17" SQ.	14 3/4"	8	1	4	MK-5047	\$176
22621	WC16	16"	SUPPLY	18" SQ.	21" SQ.	18 3/4"	12	1	5	MK-5047	\$186
22631	WC18	18"	SUPPLY	20" SQ.	23" SQ.	20 3/4"	12	1	7	MK-5047	\$221
22641	WC24	24"	SUPPLY	26" SQ.	29" SQ.	26 3/4"	12	1	9	MK-5047	\$276
22651	WC30	30"	SUPPLY	32" SQ.	35" SQ.	32 3/4"	16	1	12	MK-5047	\$389
22661	WC36	36"	SUPPLY	38" SQ.	41" SQ.	38 3/4"	16	1	17	MK-5047	\$515
22671	WC42	42"	SUPPLY	44" SQ.	47" SQ.	44 3/4"	20	2	22	MK-4782	\$725
22681	WC48	48"	SUPPLY	50" SQ.	53" SQ.	50 3/4"	20	2	25	MK-4782	\$870
22691	WC54	54"	SUPPLY	56" SQ.	59" SQ.	56 3/4"	24	2	28	MK-4782	\$1,120
22701	WC60	60"	SUPPLY	62" SQ.	65" SQ.	62 3/4"	24	3	31	MK-4782 (1) and MK-5047 (1) Req.	\$1,385

See page 88 for pricing of optional motor conversion kits. EASR-MF-44 –EASR-MF-56 are two panel construction. EASR-MF-62 is three panel. If used for Supply Duty, a Motor Actuator Kit must be utilized with shutter. EASR & WC SELECTION / INSTALLATION INFORMATION AND CAUTIONS: The velocity profile near the fan blade tips (spot velocity) is non-uniform and will vary by fan model. This spot velocity condition can damage a backdraft damper if it exceeds the maximum recommended backdraft damper velocity. For this reason, it is recommended that the backdraft damper be mounted a minimum of 1/3 the fan diameter a way from the fan outlet. It is a good practice to contact the factory when applications have a velocity approaching the maximum allowed or when the fan motor horsepower is 7-1/2 and above, or when the fan spot velocity is in excess of the backdraft damper's maximum velocity. See page 53 for WRHD Heavy Duty Shutter information.

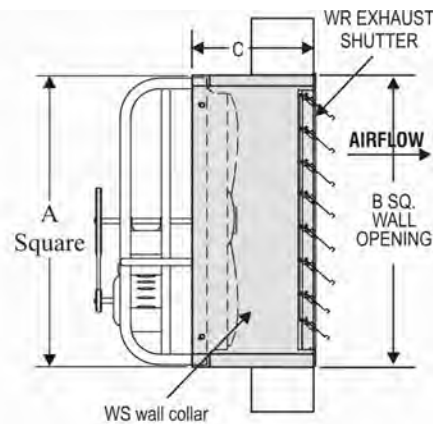
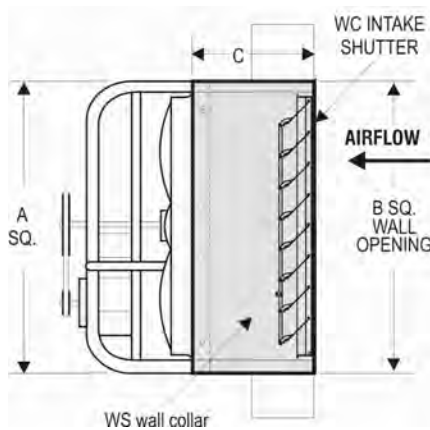
NOTE: When an EASR or WC Shutter is used for exhaust or supply and mounted remote from the fan, a WS Wall Collar is not needed. The shutter is installed directly on the wall and a Motor Actuator Kit must be utilized. Submittal sheets available at www.airmasterfan.com

Shutters and Wall Collars

EASR & WC SHUTTERS WS Wall Collars



Catalog No.	Prop Dia.	A Sq.	B Wall Opening	C	Ship Wt.	Exhaust Shutter	Supply Shutter	Safety Motor Side (Rear) Guard*
WS10	10 EPR	14	15	12	14	EASR-MF-10"	WC9	N/R
WS12	12	16	17	12	15	EASR-MF-12"	WC10	12RG
WS16E	16 EPR	20	21	12	20	EASR-MF-14"	WC12	N/R
WS18E	16	22	23	12	20	EASR-MF-18"	WC16	16RG
WS18E	18 EPR	22	23	12	19	EASR-MF-18"	WC16	N/R
WS18	18	24	25	12	19	EASR-MF-20"	WC18	18RG
WS24	24	30	31	14	31	EASR-MF-26"	WC24	24RG
WS30	30	36	37	14 1/2	45	EASR-MF-32"	WC30	30RG
WS36	36	42	43	17	61	EASR-MF-38"	WC36	36RG
WS42	42	48	49	19	89	EASR-MF-42"	WC42	42RG
WS48	48	54	55	21	112	EASR-MF-50"	WC48	48RG
WS54	54	60	61	23	149	EASR-MF-56"	WC54	54RG
WS60	60	66	67	25	178	EASR-MF-62"	WC60	60RG



*Safety motor side (rear) guards are included on all EPR, and 18" & 24" PD series fans. See page 58 for motor (rear) side guard dimensions.

For epoxy coating of Wall Collars, add \$285 list.

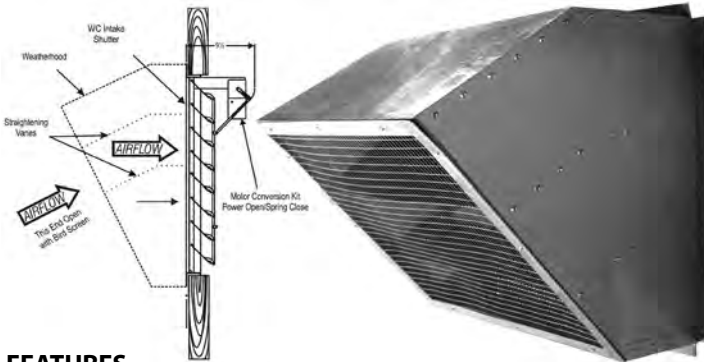
NOTES:

WS wall collars are shipped knocked down. Fan not included with WS wall collars.
Wall collars are galvanized.



WH Weather Hoods

FG & RG



FEATURES

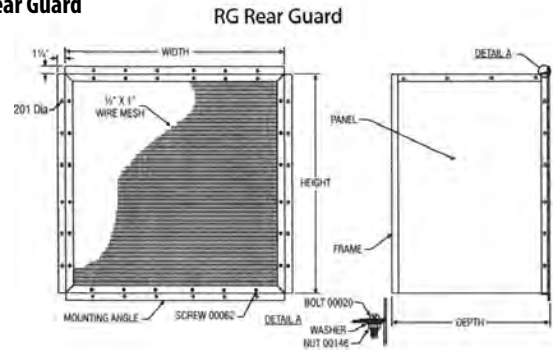
- Galvanized
- All Steel Construction
- Bird Screen
- Turning Vanes

EDP Number	Catalog No.	Size	Ship Wt.	List Price
99915	WH24	Hood for 24" Unit	67	\$930
99916	WH30	Hood for 30" Unit	168	\$1,159
99917	WH36	Hood for 36" Unit	206	\$1,434
99921	WH42	Hood for 42" Unit	231	\$1,674
99923	WH48	Hood for 48" Unit	303	\$1,846
99918	WH54	Hood for 54" Unit	342	\$2,281
99919	WH60	Hood for 60" Unit	384	\$2,487

FEATURES

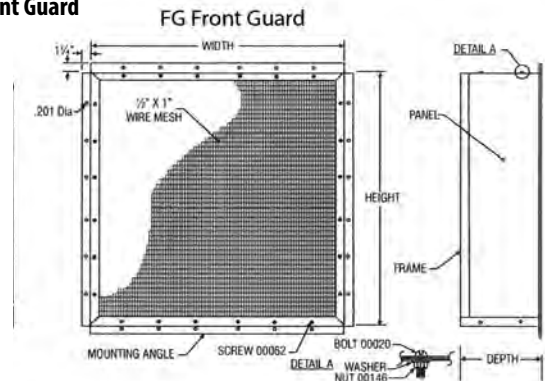
- Galvanized construction
- Removable mounting flanges on RG rear guard
- Shipped knocked down
- Easy to assemble
- 1/2" X 1" Wire Mesh Guard

RG Rear Guard

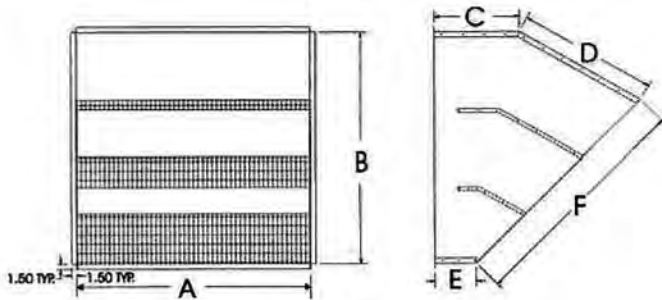


EDP Number	Model	Height	Width	Depth	Frame Material	Ship Weight	List Price
23605	12RG	16.25	16.25	16	20 Ga.	15	\$298
23610	16RG	22.25	22.25	16	20 Ga.	20	\$374
23615	18RG	24.25	24.25	16	20 Ga.	22	\$426
23620	24RG	30.54	30.54	25	20 Ga.	28	\$450
23625	30RG	36.54	36.54	25	18 Ga.	42	\$482
23630	36RG	42.57	42.57	28	18 Ga.	75	\$788
23635	42RG	48.57	48.57	34.5	18 Ga.	101	\$1,010
23640	48RG	54.57	54.57	36.5	18 Ga.	122	\$1,232
23645	54RG	60.57	60.57	42.5	18 Ga.	335	\$1,410
23650	60RG	66.57	66.57	44.5	18 Ga.	348	\$1,601

FG Front Guard



EDP Number	Model	Height	Width	Depth	Ship Weight	List Price
23660	12 FG	13.75	13.75	6	7	\$257
23665	16FG	19.75	19.75	6	10	\$273
23670	18FG	21.75	21.75	6	11	\$310
23675	24FG	27.75	27.75	6	15	\$342
23680	30FG	33.75	33.75	6	18	\$374
23685	36FG	39.75	39.75	6	28	\$458
23690	42FG	45.75	45.75	6	35	\$543
23695	48FG	51.75	51.75	6	40	\$593
23700	54FG	57.75	57.75	6	43	\$697
23705	60FG	63.75	63.75	6	48	\$802



Used on 24" - 60" propeller wall fans.

For epoxy coating of Weatherhoods, add \$285 list.

Dimensions

Cat. No.	A	B	C	D	E	F
WH24	30.50	30.50	15.29	18.06	9.43	30.50
WH30	36.50	36.50	18.30	21.62	11.28	36.50
WH36	42.50	42.50	21.31	25.17	13.14	42.50
WH42	48	48	19.42	28.43	10.19	48
WH48	54	54	21.04	31.98	10.65	54
WH54	60	60	22.88	35.54	11.34	60
WH60	66	66	24.04	38.59	11	66

Weatherhoods shipped knocked down for field assembly

Direct Drive Fans

TUBE AXIAL MODEL PLDA



1 Year Warranty

DIRECT DRIVE PERFORMANCE / PRICING FEATURES

- Fan Easily Mounts In Round Duct
- Ball Bearing, Standard NEMA Frame Motors
- Spark Resistant Cast Aluminum Propellers

Totally Enclosed Single Speed

1 Phase 115/230V

EDP Number	Catalog No.	Model No.	Prop Dia.	HP	Fan RPM	Capacity (CFM) @ "SP						Approx. Ship. Wt.	List Price
						0"	1/8"	1/4"	3/8"	1/2"	3/4"		
32002	PLDA12FZ	PLDA12FZ	12"	1/2	3450	1875	1650	1400	1320	1250	1100	41	\$2,291
32008	PLDA12HZ	PLDA12HZ	12"	3/4	3450	2044	1960	1920	1820	1650	1500	50	\$2,402
32014	PLDA18CA	PLDA18CA	18"	1/4	1725	3450	3050	2500	1200			60	\$2,536
32020	PLDA18DA	PLDA18DA	18"	1/3	1725	3315	3000	2600	2000	1400		90	\$2,679
32026	PLDA18JA	PLDA18JA	18"	1	1725	4600	4375	4080	3600	3000	2100	100	\$3,532
32032	PLDA24CA	PLDA24CA	24"	1/4	1725	5200	4200	2820	1050			96	\$2,793
32038	PLDA24DC	PLDA24DC	24"	1/3	1140	4975	4690	4250	3920	2850		100	\$3,763
32044	PLDA24FA	PLDA24FA	24"	1/2	1725	6510	5880	5200	4150	3100	1800	114	\$3,210
32051	PLDA24HC	PLDA24HC	24"	3/4	1140	6900	6450	6265	5600	3300		120	\$4,741
32057	PLDA24JA	PLDA24JA	24"	1	1725	7425	7000	6350	5850	5000	3300	150	\$3,817
32066	PLDA27FA	PLDA27FA	27"	1/2	1725	7550	6829	6000	5100	4000	2000	122	\$3,491
32073	PLDA27JA	PLDA27JA	27"	1	1725	9600	9000	8400	7775	7050	4800	152	\$4,019
32079	PLDA27MA	PLDA27MA	27"	2	1725	11500	11200	10700	10000	9300	8000	175	\$5,475
32085	PLDA30FA	PLDA30FA	30"	1/2	1725	8980	7650	6300	5400	4350	2300	128	\$3,717
32091	PLDA30HC	PLDA30HC	30"	3/4	1140	10440	9750	8750	7640	600		185	\$5,125
32097	PLDA30MA	PLDA30MA	30"	2	1725	12000	11250	10450	9600	8700	6000	180	\$5,189
32109	PLDA34KA	PLDA34KA	34"	1-1/2	1725	13350	12100	10000	9100	7300		190	\$5,131
32115	PLDA34MA	PLDA34MA	34"	2	1725	14850	13600	12100	10450	8800	4000	200	\$5,726



**TUBE AXIAL
MODEL PLDA**

**Totally Enclosed Single Speed
3 Phase 230/460V**

EDP Number	Catalog No.	Model No.	Prop Dia.	HP	Fan RPM	Capacity (CFM) @ "SP						Approx. Ship. Wt.	List Price
						0"	1/8"	1/4"	3/8"	1/2"	3/4"		
32003	PLDA12FZ	PLDA12FZ	12"	1/2	3450	1875	1650	1400	1320	1250	1100	41	\$2,327
32009	PLDA12HZ	PLDA12HZ	12"	3/4	3450	2044	1960	1920	1820	1650	1500	50	\$2,414
32015	PLDA18CA	PLDA18CA	18"	1/4	1725	3450	3050	2500	1200			60	\$2,498
32021	PLDA18DA	PLDA18DA	18"	1/3	1725	3315	3000	2600	2000	1400		90	\$2,650
32027	PLDA18JA	PLDA18JA	18"	1	1725	4600	4375	4080	3600	3000	2100	100	\$3,246
32033	PLDA24CA	PLDA24CA	24"	1/4	1725	5200	4200	2820	1050			96	\$2,747
32039	PLDA24DC	PLDA24DC	24"	1/3	1140	4975	4690	4250	3920	2850		100	\$3,630
32045	PLDA24FA	PLDA24FA	24"	1/2	1725	6510	5880	5200	4150	3100	1800	114	\$3,186
32052	PLDA24HC	PLDA24HC	24"	3/4	1140	6900	6450	6265	5600	3300		120	\$4,019
32058	PLDA24JA	PLDA24JA	24"	1	1725	7425	7000	6350	5850	5000	3300	150	\$3,532
32062	PLDA24OA	PLDA24OA	24"	3	1725	10500	9800	9500	9100	8700	7800	190	\$4,196
32067	PLDA27FA	PLDA27FA	27"	1/2	1725	7550	6829	6000	5100	4000	2000	122	\$3,449
32074	PLDA27JA	PLDA27JA	27"	1	1725	9600	9000	8400	7775	7050	4800	152	\$3,761
32080	PLDA27MA	PLDA27MA	27"	2	1725	11500	11200	10700	10000	9300	8000	175	\$4,054
32086	PLDA30FA	PLDA30FA	30"	1/2	1725	8980	7650	6300	5400	4350	2300	128	\$3,783
32092	PLDA30HC	PLDA30HC	30"	3/4	1140	10440	9750	8750	7640	600		185	\$4,385
32098	PLDA30MA	PLDA30MA	30"	2	1725	12000	11250	10450	9600	8700	6000	180	\$4,425
32102	PLDA30MC	PLDA30MC	30"	2	1140	14000	13750	12900	11850	10450	2500	180	\$5,122
32105	PLDA30OA	PLDA30OA	30"	3	1725	16000	15350	14700	13850	12900	10200	200	\$4,570
32110	PLDA34KA	PLDA34KA	34"	1-1/2	1725	13350	12100	10000	9100	7300		190	\$4,698
32116	PLDA34MA	PLDA34MA	34"	2	1725	14850	13600	12100	10450	8800	4000	200	\$5,065
32120	PLDA34MC	PLDA34MC	34"	2	1140	15950	15100	13800	12500	11400		200	\$5,426
32123	PLDA34OC	PLDA34OC	34"	3	1140	19300	18290	17230	16000	14800	11614	250	\$6,400
32126	PLDA42JD	PLDA42JD	42"	1	870	15800	15200	13480	12310	5800	900	260	\$6,847
32128	PLDA42MC	PLDA42MC	42"	2	1140	17964	17277	15326	13990	12351	7600	252	\$6,455
32131	PLDA42MD	PLDA42MD	42"	2	870	22040	21000	20500	18500	15000	6000	260	\$7,924
32133	PLDA42PC	PLDA42PC	42"	5	1140	28970	27960	26840	25700	24200	19500	300	\$7,890
32136	PLDA48OC	PLDA48OC	48"	3	1140	28600	26500	24400	22000	20000	15900	290	\$8,584
32138	PLDA48OD	PLDA48OD	48"	3	870	28700	26500	24200	21600	18500	10000	290	\$9,878
32140	PLDA48PD	PLDA48PD	48"	5	870	33000	31500	29750	27650	25300	18000	310	\$11,343

**Explosion Proof Single Speed
1 Phase 115/230V**

EDP Number	Catalog No.	Model No.	Prop Dia.	HP	Fan RPM	Capacity (CFM) @ "SP						Approx. Ship. Wt.	List Price
						0"	1/8"	1/4"	3/8"	1/2"	3/4"		
32004	PLDA12FZ	PLDA12FZ	12"	1/2	3450	1875	1650	1400	1320	1250	1100	41	\$3,148
32010	PLDA12HZ	PLDA12HZ	12"	3/4	3450	2044	1960	1920	1820	1650	1500	50	\$3,453
32016	PLDA18CA	PLDA18CA	18"	1/4	1725	3450	3050	2500	1200			60	\$3,258
32022	PLDA18DA	PLDA18DA	18"	1/3	1725	3315	3000	2600	2000	1400		90	\$3,630
32028	PLDA18JA	PLDA18JA	18"	1	1725	4600	4375	4080	3600	3000	2100	100	\$4,588
32034	PLDA24CA	PLDA24CA	24"	1/4	1725	5200	4200	2820	1050			96	\$3,524
32040	PLDA24DC	PLDA24DC	24"	1/3	1140	4975	4690	4250	3920	2850		100	\$4,698
32046	PLDA24FA	PLDA24FA	24"	1/2	1725	6510	5880	5200	4150	3100	1800	114	\$4,184
32053	PLDA24HC	PLDA24HC	24"	3/4	1140	6900	6450	6265	5600	3300		120	\$5,533
32059	PLDA24JA	PLDA24JA	24"	1	1725	7425	7000	6350	5850	5000	3300	150	\$4,864
32068	PLDA27FA	PLDA27FA	27"	1/2	1725	7550	6829	6000	5100	4000	2000	122	\$4,458
32075	PLDA27JA	PLDA27JA	27"	1	1725	9600	9000	8400	7775	7050	4800	152	\$5,072
32081	PLDA27MA	PLDA27MA	27"	2	1725	11500	11200	10700	10000	9300	8000	175	\$8,489
32087	PLDA30FA	PLDA30FA	30"	1/2	1725	8980	7650	6300	5400	4350	2300	128	\$4,670
32093	PLDA30HC	PLDA30HC	30"	3/4	1140	10440	9750	8750	7640	600		185	\$5,892
32099	PLDA30MA	PLDA30MA	30"	2	1725	12000	11250	10450	9600	8700	6000	180	\$9,046
32111	PLDA34KA	PLDA34KA	34"	1-1/2	1725	13350	12100	10000	9100	7300		190	\$8,453
32117	PLDA34MA	PLDA34MA	34"	2	1725	14850	13600	12100	10450	8800	4000	200	\$9,179



Direct Drive Fans

TUBE AXIAL

Explosion Proof Single Speed

3 Phase 230/460V

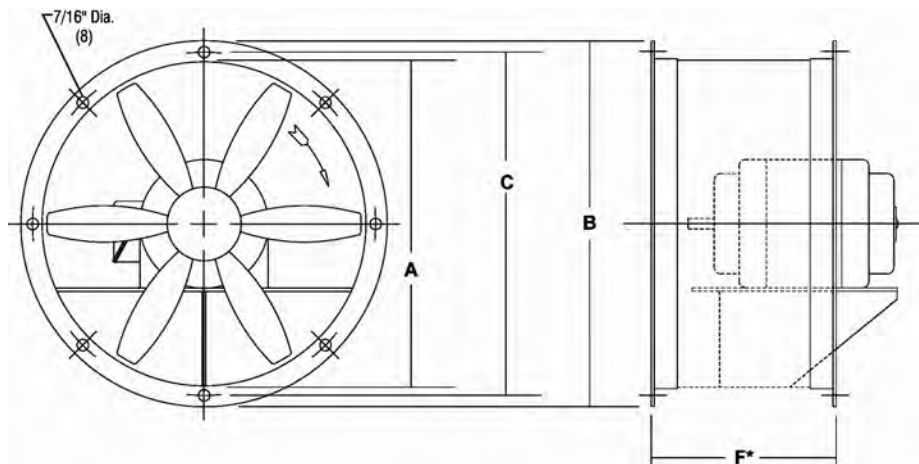
EDP Number	Catalog No.	Model No.	Prop Dia.	HP	Fan RPM	Capacity (CFM) @ "SP						Approx. Ship. Wt.	List Price
						0"	1/8"	1/4"	3/8"	1/2"	3/4"		
32005	PLDA12FZ	PLDA12FZ	12"	1/2	3450	1875	1650	1400	1320	1250	1100	41	\$3,161
32011	PLDA12HZ	PLDA12HZ	12"	3/4	3450	2044	1960	1920	1820	1650	1500	50	\$3,478
32017	PLDA18CA	PLDA18CA	18"	1/4	1725	3450	3050	2500	1200			60	\$3,186
32023	PLDA18DA	PLDA18DA	18"	1/3	1725	3315	3000	2600	2000	1400		90	\$3,396
32029	PLDA18JA	PLDA18JA	18"	1	1725	4600	4375	4080	3600	3000	2100	100	\$4,546
32035	PLDA24CA	PLDA24CA	24"	1/4	1725	5200	4200	2820	1050			96	\$3,430
32041	PLDA24DC	PLDA24DC	24"	1/3	1140	4975	4690	4250	3920	2850		100	\$5,073
32047	PLDA24FA	PLDA24FA	24"	1/2	1725	6510	5880	5200	4150	3100	1800	114	\$4,392
32054	PLDA24HC	PLDA24HC	24"	3/4	1140	6900	6450	6265	5600	3300		120	\$5,503
32060	PLDA24JA	PLDA24JA	24"	1	1725	7425	7000	6350	5850	5000	3300	150	\$4,808
32063	PLDA24OA	PLDA24OA	24"	3	1725	10500	9800	9500	9100	8700	7800	190	\$5,651
32069	PLDA27FA	PLDA27FA	27"	1/2	1725	7550	6829	6000	5100	4000	2000	122	\$4,753
32076	PLDA27JA	PLDA27JA	27"	1	1725	9600	9000	8400	7775	7050	4800	152	\$5,041
32082	PLDA27MA	PLDA27MA	27"	2	1725	11500	11200	10700	10000	9300	8000	175	\$5,542
32088	PLDA30FA	PLDA30FA	30"	1/2	1725	8980	7650	6300	5400	4350	2300	128	\$4,875
32094	PLDA30HC	PLDA30HC	30"	3/4	1140	10440	9750	8750	7640	600		185	\$6,026
32100	PLDA30MA	PLDA30MA	30"	2	1725	12000	11250	10450	9600	8700	6000	180	\$5,480
32103	PLDA30MC	PLDA30MC	30"	2	1140	14000	13750	12900	11850	10450	2500	180	\$6,571
32106	PLDA30OA	PLDA30OA	30"	3	1725	16000	15350	14700	13850	12900	10200	200	\$6,014
32112	PLDA34KA	PLDA34KA	34"	1-1/2	1725	13350	12100	10000	9100	7300		190	\$5,981
32118	PLDA34MA	PLDA34MA	34"	2	1725	14850	13600	12100	10450	8800	4000	200	\$6,261
32121	PLDA34MC	PLDA34MC	34"	2	1140	15950	15100	13800	12500	11400		200	\$6,928
32124	PLDA34OC	PLDA34OC	34"	3	1140	19300	18290	17230	16000	14800	11614	250	\$8,649
32129	PLDA42MC	PLDA42MC	42"	2	1140	17964	17277	15326	13990	12351	7600	252	\$7,827
32134	PLDA42PC	PLDA42PC	42"	5	1140	28970	27960	26840	25700	24200	19500	300	\$10,228

PLDA DIMENSIONS

Prop Dia.	A	B	C	F*
12"	12	14	13	14
18"	18	20	19	14
24"	24	27	25-5/8	18
27"	27	30	28-5/8	18
30"	30	33	31-5/8	18
34"	34	37	35-5/8	18
42"	42	45	43-5/8	18
48"	48	51	49-5/8	18

*Approx. - Dim. varies with motor.

NOTE: Special custom order product. Once in production, non-cancellable, non-returnable under any circumstance.





TUBE AXIAL

MODEL PLDA

PLDA Tube Axial Accessories

Matching Flange (1 ea.)

EDP Number	Catalog No.	Prop Dia.	List Price
32141	PLDA Accessory	12"	\$112
32146	PLDA Accessory	18"	\$152
32152	PLDA Accessory	24"	\$198
32157	PLDA Accessory	27"	\$208
32162	PLDA Accessory	30"	\$226
32167	PLDA Accessory	34"	\$253
32173	PLDA Accessory	42"	\$275
32178	PLDA Accessory	48"	\$313

Access Door

EDP Number	Catalog No.	Prop Dia.	List Price
32142	PLDA Accessory	12"	\$500
32147	PLDA Accessory	18"	\$528
32153	PLDA Accessory	24"	\$538
32158	PLDA Accessory	27"	\$653
32163	PLDA Accessory	30"	\$670
32168	PLDA Accessory	34"	\$680
32174	PLDA Accessory	42"	\$726
32179	PLDA Accessory	48"	\$759

Guard (each)

EDP Number	Catalog No.	Prop Dia.	List Price
32143	PLDA Accessory	12"	\$417
32148	PLDA Accessory	18"	\$416
32154	PLDA Accessory	24"	\$463
32159	PLDA Accessory	27"	\$463
32164	PLDA Accessory	30"	\$463
32169	PLDA Accessory	34"	\$463
32175	PLDA Accessory	42"	\$528
32180	PLDA Accessory	48"	\$622

Epoxy Coating

EDP Number	Catalog No.	Prop Dia.	List Price
32144	PLDA Accessory	12"	\$980
32149	PLDA Accessory	18"	\$1,209
32155	PLDA Accessory	24"	\$1,519
32160	PLDA Accessory	27"	\$1,727
32165	PLDA Accessory	30"	\$1,897
32171	PLDA Accessory	34"	\$2,140
32176	PLDA Accessory	42"	\$2,508
32181	PLDA Accessory	48"	\$2,915

Cont. Weld of Flange to Drum

EDP Number	Catalog No.	Prop Dia.	List Price
32145	PLDA Accessory	12"	\$123
32151	PLDA Accessory	18"	\$142
32156	PLDA Accessory	24"	\$159
32161	PLDA Accessory	27"	\$208
32166	PLDA Accessory	30"	\$246
32172	PLDA Accessory	34"	\$265
32177	PLDA Accessory	42"	\$291
32182	PLDA Accessory	48"	\$322

Belt Drive Fans

TUBE AXIAL MODEL PLDXA



1 Year Warranty

BELT DRIVE PERFORMANCE / PRICING FEATURES

- Fan Easily Mounts In Round Duct
- Air Tight Cylinder Protects Belts, Bearings & Pulleys from Contaminated Air
- Adjustable Motor Base
- Spark Resistant Cast Aluminum Propellers

Totally Enclosed Single Speed

1 Phase 115/230V

EDP Number	Catalog No.	Model No.	Prop Dia.	HP	Fan RPM	Capacity (CFM) @ "SP						Approx. Ship. Wt.	List Price
						0"	1/8"	1/4"	3/8"	1/2"	3/4"		
32185	PLDXA12CA	PLDXA12CA	12"	1/4	2625	1444	1307	1033	638	380		68	\$3,172
32191	PLDXA12FA	PLDXA12FA	12"	1/2	3450	1875	1650	1400	1320	1250	1100	72	\$3,172
32197	PLDXA12HA	PLDXA12HA	12"	3/4	3450	2044	1960	1920	1820	1650	1500	76	\$3,328
32203	PLDXA15CA	PLDXA15CA	15"	1/4	2000	2600	2100	1700				73	\$3,502
32209	PLDXA15DA	PLDXA15DA	15"	1/3	2200	2950	2500	2100	1760	1000		75	\$3,524
32215	PLDXA15FA	PLDXA15FA	15"	1/2	1890	3350	3000	2650	2200	1500		80	\$3,685
32221	PLDXA15HA	PLDXA15HA	15"	3/4	2200	3900	3700	3400	3100	2700	1150	95	\$4,101
32227	PLDXA18CA	PLDXA18CA	18"	1/4	1600	3050	2500	2000	1200			80	\$3,700
32233	PLDXA18DA	PLDXA18DA	18"	1/3	1725	3375	3000	2600	2000	1400		85	\$3,712
32239	PLDXA18FA	PLDXA18FA	18"	1/2	1890	3850	3500	3100	2500	2000		95	\$3,858
32245	PLDXA18JA	PLDXA18JA	18"	1	1725	4600	4375	4080	3600	3000	2100	115	\$4,741
32251	PLDXA18KA	PLDXA18KA	18"	1-1/2	1990	5350	5060	4830	4550	3950	3000	125	\$5,052
32257	PLDXA24FA	PLDXA24FA	24"	1/2	1298	5643	5320	4826	4440	3500		125	\$4,184
32263	PLDXA24HA	PLDXA24HA	24"	3/4	1600	6906	6510	5900	5440	4650	2750	130	\$4,562
32269	PLDXA24JA	PLDXA24JA	24"	1	1725	7425	7000	6350	5850	5000	3300	145	\$4,921
32275	PLDXA24KA	PLDXA24KA	24"	1-1/2	1540	8200	7900	7650	7280	6850	5500	150	\$6,228
32281	PLDXA24MA	PLDXA24MA	24"	2	1600	9760	9114	8830	8460	8090	7000	170	\$6,685
32290	PLDXA27HA	PLDXA27HA	27"	3/4	1250	8330	7814	7550	7070	6500	4650	135	\$5,798
32296	PLDXA27JA	PLDXA27JA	27"	1	1400	9400	8675	8480	7950	7300	5200	155	\$6,155
32302	PLDXA27KA	PLDXA27KA	27"	1-1/2	1600	10700	10250	9700	9080	8375	6000	160	\$6,522
32308	PLDXA27MA	PLDXA27MA	27"	2	1350	11500	11200	10700	10000	9300	8000	210	\$7,056
32314	PLDXA30FA	PLDXA30FA	30"	1/2	1140	8900	7925	6660	4270	2300		118	\$5,711
32320	PLDXA30JA	PLDXA30JA	30"	1	1298	9896	8970	7980	6050	4120		140	\$6,356
32326	PLDXA30KA	PLDXA30KA	30"	1-1/2	1035	11100	10600	9700	8600	7500	3500	165	\$6,969
32332	PLDXA30MA	PLDXA30MA	30"	2	1176	12100	11660	11000	10121	9322	6700	200	\$7,429
32341	PLDXA34KA	PLDXA34KA	34"	1-1/2	1170	13695	12400	11100	8365	6000	1050	175	\$7,314
32347	PLDXA34MA	PLDXA34MA	34"	2	1027	14657	13652	12590	11500	10000	8000	210	\$8,011
32358	PLDXA42KA	PLDXA42KA	42"	1-1/2	750	18960	17000	14662	11700	7200		175	\$8,710
32364	PLDXA42MA	PLDXA42MA	42"	2	820	20700	18900	17002	14700	11400	4000	210	\$9,115



**TUBE AXIAL
MODEL PLDXA**

**Totally Enclosed Single Speed
3 Phase 230/460V**

EDP Number	Catalog No.	Model No.	Prop Dia.	HP	Fan RPM	Capacity (CFM) @ "SP						Approx. Ship. Wt.	List Price
						0"	1/8"	1/4"	3/8"	1/2"	3/4"		
32186	PLDXA12CA	PLDXA12CA	12"	1/4	2625	1444	1307	1033	638	380		68	\$3,186
32192	PLDXA12FA	PLDXA12FA	12"	1/2	3450	1875	1650	1400	1320	1250	1100	72	\$3,279
32198	PLDXA12HA	PLDXA12HA	12"	3/4	3450	2044	1960	1920	1820	1650	1500	76	\$3,553
32204	PLDXA15CA	PLDXA15CA	15"	1/4	2000	2600	2100	1700				73	\$3,516
32210	PLDXA15DA	PLDXA15DA	15"	1/3	2200	2950	2500	2100	1760	1000		75	\$3,614
32216	PLDXA15FA	PLDXA15FA	15"	1/2	1890	3350	3000	2650	2200	1500		80	\$3,761
32222	PLDXA15HA	PLDXA15HA	15"	3/4	2200	3900	3700	3400	3100	2700	1150	95	\$4,073
32228	PLDXA18CA	PLDXA18CA	18"	1/4	1600	3050	2500	2000	1200			80	\$3,724
32234	PLDXA18DA	PLDXA18DA	18"	1/3	1725	3375	3000	2600	2000	1400		85	\$3,808
32240	PLDXA18FA	PLDXA18FA	18"	1/2	1890	3850	3500	3100	2500	2000		95	\$3,941
32246	PLDXA18JA	PLDXA18JA	18"	1	1725	4600	4375	4080	3600	3000	2100	115	\$4,542
32252	PLDXA18KA	PLDXA18KA	18"	1-1/2	1990	5350	5060	4830	4550	3950	3000	125	\$4,676
32258	PLDXA24FA	PLDXA24FA	24"	1/2	1298	5643	5320	4826	4440	3500		125	\$4,268
32264	PLDXA24HA	PLDXA24HA	24"	3/4	1600	6906	6510	5900	5440	4650	2750	130	\$4,546
32270	PLDXA24JA	PLDXA24JA	24"	1	1725	7425	7000	6350	5850	5000	3300	145	\$4,715
32276	PLDXA24KA	PLDXA24KA	24"	1-1/2	1540	8200	7900	7650	7280	6850	5500	150	\$5,892
32282	PLDXA24MA	PLDXA24MA	24"	2	1600	9760	9114	8830	8460	8090	7000	170	\$6,038
32286	PLDXA24OA	PLDXA24OA	24"	3	1725	10500	9800	9500	9100	8700	7800	185	\$6,285
32291	PLDXA27HA	PLDXA27HA	27"	3/4	1250	8330	7814	7550	7070	6500	4650	135	\$5,806
32297	PLDXA27JA	PLDXA27JA	27"	1	1400	9400	8675	8480	7950	7300	5200	155	\$5,997
32303	PLDXA27KA	PLDXA27KA	27"	1-1/2	1600	10700	10250	9700	9080	8375	6000	160	\$6,187
32309	PLDXA27MA	PLDXA27MA	27"	2	1350	11500	11200	10700	10000	9300	8000	210	\$6,413
32315	PLDXA30FA	PLDXA30FA	30"	1/2	1140	8900	7925	6660	4270	2300		118	\$5,855
32321	PLDXA30JA	PLDXA30JA	30"	1	1298	9896	8970	7980	6050	4120		140	\$6,195
32327	PLDXA30KA	PLDXA30KA	30"	1-1/2	1035	11100	10600	9700	8600	7500	3500	165	\$6,652
32333	PLDXA30MA	PLDXA30MA	30"	2	1176	12100	11660	11000	10121	9322	6700	200	\$6,806
32337	PLDXA30OA	PLDXA30OA	30"	3	1350	13480	12982	12498	12042	11465	10380	215	\$7,018
32342	PLDXA34KA	PLDXA34KA	34"	1-1/2	1170	13695	12400	11100	8365	6000	1050	175	\$7,007
32348	PLDXA34MA	PLDXA34MA	34"	2	1027	14657	13652	12590	11500	10000	8000	210	\$7,410
32354	PLDXA34OA	PLDXA34OA	34"	3	1175	17580	16750	15896	14600	14095	12000	275	\$7,594
32359	PLDXA42KA	PLDXA42KA	42"	1-1/2	750	18960	17000	14662	11700	7200		250	\$8,428
32365	PLDXA42MA	PLDXA42MA	42"	2	820	20700	18900	17002	14700	11400	4000	260	\$8,540
32369	PLDXA42OA	PLDXA42OA	42"	3	890	23700	22100	20200	18960	16970	9950	275	\$8,796
32374	PLDXA42PA	PLDXA42PA	42"	5	850	26900	25600	24403	23450	22250	18400	325	\$9,314
32377	PLDXA48PA	PLDXA48PA	48"	5	800	33000	31000	29400	27500	25670	20700	375	\$13,279
32380	PLDXA48QA	PLDXA48QA	48"	7-1/2	900	37500	35900	34500	32800	31200	27700	430	\$14,068
32383	PLDXA48RA	PLDXA48RA	48"	10	1000	41200	39700	38300	36900	35400	32400	520	\$14,786



Belt Drive Fans

TUBE AXIAL MODEL PLDXA

Explosion Proof Single Speed
1 Phase 115/230V

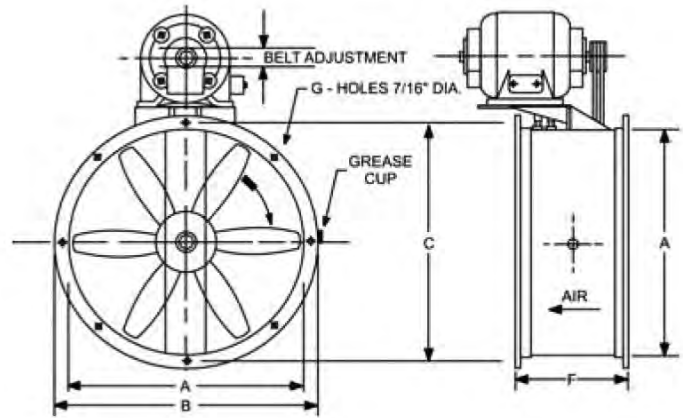
EDP Number	Catalog No.	Model No.	Prop Dia.	HP	Fan RPM	Capacity (CFM) @ "SP						Approx. Ship. Wt.	List Price
						0"	1/8"	1/4"	3/8"	1/2"	3/4"		
32187	PLDXA12CA	PLDXA12CA	12"	1/4	2625	1444	1307	1033	638	380		68	\$3,761
32193	PLDXA12FA	PLDXA12FA	12"	1/2	3450	1875	1650	1400	1320	1250	1100	72	\$3,846
32199	PLDXA12HA	PLDXA12HA	12"	3/4	3450	2044	1960	1920	1820	1650	1500	76	\$4,092
32205	PLDXA15CA	PLDXA15CA	15"	1/4	2000	2600	2100	1700				73	\$4,092
32211	PLDXA15DA	PLDXA15DA	15"	1/3	2200	2950	2500	2100	1760	1000		75	\$4,464
32217	PLDXA15FA	PLDXA15FA	15"	1/2	1890	3350	3000	2650	2200	1500		80	\$4,646
32223	PLDXA15HA	PLDXA15HA	15"	3/4	2200	3900	3700	3400	3100	2700	1150	95	\$5,047
32229	PLDXA18CA	PLDXA18CA	18"	1/4	1600	3050	2500	2000	1200			80	\$4,275
32235	PLDXA18DA	PLDXA18DA	18"	1/3	1725	3375	3000	2600	2000	1400		85	\$4,655
32241	PLDXA18FA	PLDXA18FA	18"	1/2	1890	3850	3500	3100	2500	2000		95	\$4,826
32247	PLDXA18JA	PLDXA18JA	18"	1	1725	4600	4375	4080	3600	3000	2100	115	\$5,722
32253	PLDXA18KA	PLDXA18KA	18"	1-1/2	1990	5350	5060	4830	4550	3950	3000	125	\$8,183
32259	PLDXA24FA	PLDXA24FA	24"	1/2	1298	5643	5320	4826	4440	3500		125	\$5,144
32265	PLDXA24HA	PLDXA24HA	24"	3/4	1600	6906	6510	5900	5440	4650	2750	130	\$5,497
32271	PLDXA24JA	PLDXA24JA	24"	1	1725	7425	7000	6350	5850	5000	3300	145	\$5,909
32277	PLDXA24KA	PLDXA24KA	24"	1-1/2	1540	8200	7900	7650	7280	6850	5500	150	\$9,370
32283	PLDXA24MA	PLDXA24MA	24"	2	1600	9760	9114	8830	8460	8090	7000	170	\$10,833
32292	PLDXA27HA	PLDXA27HA	27"	3/4	1250	8330	7814	7550	7070	6500	4650	135	\$6,727
32298	PLDXA27JA	PLDXA27JA	27"	1	1400	9400	8675	8480	7950	7300	5200	155	\$7,144
32304	PLDXA27KA	PLDXA27KA	27"	1-1/2	1600	10700	10250	9700	9080	8375	6000	160	\$9,652
32310	PLDXA27MA	PLDXA27MA	27"	2	1350	11500	11200	10700	10000	9300	8000	210	\$11,202
32316	PLDXA30FA	PLDXA30FA	30"	1/2	1140	8900	7925	6660	4270	2300		118	\$6,677
32322	PLDXA30JA	PLDXA30JA	30"	1	1298	9896	8970	7980	6050	4120		140	\$7,344
32328	PLDXA30KA	PLDXA30KA	30"	1-1/2	1035	11100	10600	9700	8600	7500	3500	165	\$10,118
32334	PLDXA30MA	PLDXA30MA	30"	2	1176	12100	11660	11000	10121	9322	6700	200	\$11,576
32343	PLDXA34KA	PLDXA34KA	34"	1-1/2	1170	13695	12400	11100	8365	6000	1050	175	\$10,457
32349	PLDXA34MA	PLDXA34MA	34"	2	1027	14657	13652	12590	11500	10000	8000	210	\$12,172
32360	PLDXA42KA	PLDXA42KA	42"	1-1/2	750	18960	17000	14662	11700	7200		250	\$11,863
32366	PLDXA42MA	PLDXA42MA	42"	2	820	20700	18900	17002	14700	11400	4000	260	\$13,268



**TUBE AXIAL
MODEL PLDXA**

**Explosion Proof Single Speed
PLDXA Dimensions**

Prop Dia.	A	B	C	F
12	12	14	13	12
15	15	17	16	12
18	18	20	19	12
24	24	27	25-5/8	12 16*
27	27	30	28-5/8	12 16**
30	30	33	31-5/8	12 16**
34	34	37	35-5/8	16
42	42	45	43-5/8	18
48	48	51	49-5/8	24



*2 HP & UP **1-1/2 HP & UP

NOTE: Special custom order product. Once in production, non-cancellable, non returnable under any circumstance.

3 Phase 230/460V

EDP Number	Catalog No.	Model No.	Prop Dia.	HP	Fan RPM	Capacity (CFM) @ "SP						Approx. Ship. Wt.	List Price
						0"	1/8"	1/4"	3/8"	1/2"	3/4"		
32188	PLDXA12CA	PLDXA12CA	12"	1/4	2625	1444	1307	1033	638	380		68	\$3,993
32194	PLDXA12FA	PLDXA12FA	12"	1/2	3450	1875	1650	1400	1320	1250	1100	72	\$4,398
32200	PLDXA12HA	PLDXA12HA	12"	3/4	3450	2044	1960	1920	1820	1650	1500	76	\$4,586
32206	PLDXA15CA	PLDXA15CA	15"	1/4	2000	2600	2100	1700				73	\$4,336
32212	PLDXA15DA	PLDXA15DA	15"	1/3	2200	2950	2500	2100	1760	1000		75	\$4,816
32218	PLDXA15FA	PLDXA15FA	15"	1/2	1890	3350	3000	2650	2200	1500		80	\$4,659
32224	PLDXA15HA	PLDXA15HA	15"	3/4	2200	3900	3700	3400	3100	2700	1150	95	\$5,041
32230	PLDXA18CA	PLDXA18CA	18"	1/4	1600	3050	2500	2000	1200			80	\$4,546
32236	PLDXA18DA	PLDXA18DA	18"	1/3	1725	3375	3000	2600	2000	1400		85	\$4,999
32242	PLDXA18FA	PLDXA18FA	18"	1/2	1890	3850	3500	3100	2500	2000		95	\$5,135
32248	PLDXA18JA	PLDXA18JA	18"	1	1725	4600	4375	4080	3600	3000	2100	115	\$5,743
32254	PLDXA18KA	PLDXA18KA	18"	1-1/2	1990	5350	5060	4830	4550	3950	3000	125	\$5,920
32260	PLDXA24FA	PLDXA24FA	24"	1/2	1298	5643	5320	4826	4440	3500		125	\$5,469
32266	PLDXA24HA	PLDXA24HA	24"	3/4	1600	6906	6510	5900	5440	4650	2750	130	\$5,620
32272	PLDXA24JA	PLDXA24JA	24"	1	1725	7425	7000	6350	5850	5000	3300	145	\$5,930
32278	PLDXA24KA	PLDXA24KA	24"	1-1/2	1540	8200	7900	7650	7280	6850	5500	150	\$7,146
32284	PLDXA24MA	PLDXA24MA	24"	2	1600	9760	9114	8830	8460	8090	7000	170	\$7,362
32287	PLDXA24OA	PLDXA24OA	24"	3	1725	10500	9800	9500	9100	8700	7800	185	\$7,767
32293	PLDXA27HA	PLDXA27HA	27"	3/4	1250	8330	7814	7550	7070	6500	4650	135	\$6,885
32299	PLDXA27JA	PLDXA27JA	27"	1	1400	9400	8675	8480	7950	7300	5200	155	\$7,202
32305	PLDXA27KA	PLDXA27KA	27"	1-1/2	1600	10700	10250	9700	9080	8375	6000	160	\$7,437
32311	PLDXA27MA	PLDXA27MA	27"	2	1350	11500	11200	10700	10000	9300	8000	210	\$7,742
32317	PLDXA30FA	PLDXA30FA	30"	1/2	1140	8900	7925	6660	4270	2300		118	\$7,052
32323	PLDXA30JA	PLDXA30JA	30"	1	1298	9896	8970	7980	6050	4120		140	\$7,429
32329	PLDXA30KA	PLDXA30KA	30"	1-1/2	1035	11100	10600	9700	8600	7500	3500	165	\$7,901
32335	PLDXA30MA	PLDXA30MA	30"	2	1176	12100	11660	11000	10121	9322	6700	200	\$8,129
32338	PLDXA30OA	PLDXA30OA	30"	3	1350	13480	12982	12498	12042	11465	10380	215	\$8,506
32344	PLDXA34KA	PLDXA34KA	34"	1-1/2	1170	13695	12400	11100	8365	6000	1050	175	\$8,263
32352	PLDXA34MA	PLDXA34MA	34"	2	1027	14657	13652	12590	11500	10000	8000	210	\$8,742
32355	PLDXA34OA	PLDXA34OA	34"	3	1175	17580	16750	15896	14600	14095	12000	275	\$9,082
32361	PLDXA42KA	PLDXA42KA	42"	1-1/2	750	18960	17000	14662	11700	7200		250	\$9,700
32367	PLDXA42MA	PLDXA42MA	42"	2	820	20700	18900	17002	14700	11400	4000	260	\$9,864
32372	PLDXA42OA	PLDXA42OA	42"	3	890	23700	22100	20200	18960	16970	9950	275	\$10,280
32375	PLDXA42PA	PLDXA42PA	42"	5	850	26900	25600	24403	23450	22250	18400	325	\$11,099
32378	PLDXA48PA	PLDXA48PA	48"	5	800	33000	31000	29400	27500	25670	20700	375	\$15,061
32381	PLDXA48QA	PLDXA48QA	48"	7-1/2	900	37500	35900	34500	32800	31200	27700	430	\$16,331
32384	PLDXA48RA	PLDXA48RA	48"	10	1000	41200	39700	38300	36900	35400	32400	520	\$17,115



Belt Drive Fans

TUBE AXIAL MODEL PLDXA

Weather Covers For Motor And Drive

EDP Number	Catalog No.	Size	HP	List Price
88202	Weather Cover	12" - 42"	Up to 1.5	\$576
88203	Weather Cover	24" - 48"	2 - 5	\$726
88205	Weather Cover	42" - 48"	7.5 & Up	\$897

PLDXA Tube Axial Accessories

Matching Flange (1 ea.)

EDP Number	Catalog No.	Prop Dia.	List Price
32385	PLDXA Accessory	12"	\$112
32392	PLDXA Accessory	15"	\$133
32398	PLDXA Accessory	18"	\$152
32404	PLDXA Accessory	24"	\$198
32412	PLDXA Accessory	27"	\$208
32418	PLDXA Accessory	30"	\$226
32424	PLDXA Accessory	34"	\$253
32431	PLDXA Accessory	42"	\$275
32437	PLDXA Accessory	48"	\$313

Access Door

EDP Number	Catalog No.	Prop Dia.	List Price
32386	PLDXA Accessory	12"	\$500
32393	PLDXA Accessory	15"	\$511
32399	PLDXA Accessory	18"	\$528
32405	PLDXA Accessory	24"	\$538
32413	PLDXA Accessory	27"	\$653
32419	PLDXA Accessory	30"	\$670
32425	PLDXA Accessory	34"	\$680
32432	PLDXA Accessory	42"	\$726
32438	PLDXA Accessory	48"	\$759

Inlet/Outlet Guard

EDP Number	Catalog No.	Prop Dia.	List Price
32387	PLDXA Accessory	12"	\$198
32394	PLDXA Accessory	15"	\$198
32400	PLDXA Accessory	18"	\$198
32406	PLDXA Accessory	24"	\$219
32414	PLDXA Accessory	27"	\$275
32420	PLDXA Accessory	30"	\$275
32426	PLDXA Accessory	34"	\$348
32433	PLDXA Accessory	42"	\$395
32439	PLDXA Accessory	48"	\$519

Belt Drive Guard (OSHA)

EDP Number	Catalog No.	Prop Dia.	List Price
32388	PLDXA Accessory	12"	\$417
32395	PLDXA Accessory	15"	\$417
32401	PLDXA Accessory	18"	\$417
32407	PLDXA Accessory	24"	\$463
32415	PLDXA Accessory	27"	\$463
32421	PLDXA Accessory	30"	\$463
32427	PLDXA Accessory	34"	\$463
32434	PLDXA Accessory	42"	\$528
32440	PLDXA Accessory	48"	\$622

Epoxy Coating

EDP Number	Catalog No.	Prop Dia.	List Price
32389	PLDXA Accessory	12"	\$980
32396	PLDXA Accessory	15"	\$1,095
32402	PLDXA Accessory	18"	\$1,209
32408	PLDXA Accessory	24"	\$1,519
32416	PLDXA Accessory	27"	\$1,727
32422	PLDXA Accessory	30"	\$1,897
32428	PLDXA Accessory	34"	\$2,140
32435	PLDXA Accessory	42"	\$2,508
32441	PLDXA Accessory	48"	\$2,915

Cont. Weld of Flange to Drum

EDP Number	Catalog No.	Prop Dia.	List Price
32391	PLDXA Accessory	12"	\$123
32397	PLDXA Accessory	15"	\$133
32403	PLDXA Accessory	18"	\$142
32409	PLDXA Accessory	24"	\$159
32417	PLDXA Accessory	27"	\$208
32423	PLDXA Accessory	30"	\$246
32429	PLDXA Accessory	34"	\$265
32436	PLDXA Accessory	42"	\$291
32442	PLDXA Accessory	48"	\$322

See page 3 for Explosion Proof Motor information



Direct Drive Upblast Propeller Roof Ventilators

MODEL UP

1 Year Warranty - FEATURES

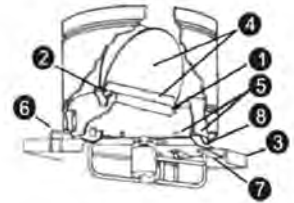
- Ideal for General Ventilation
- Discharges Heat, Fumes, Moisture High Above Roof
- Totally Enclosed Motors
- Includes Magnetic Latches on Dampers That Minimize Flutter When Fan Is Not in Operation

DIRECT DRIVE PERFORMANCE

Prop Dia.	HP	RPM	0" SP CFM	1/8" CFM	1/4" CFM	Max BHP
18"	1/2	1750	3853	3550	3215	0.57
24"	1/3	1150	4495	3948	-	0.36
24"	1	1750	6847	6482	6126	0.94
30"	3/4	1150	9802	8885	7597	0.64
30"	2	1750	14910	14368	13752	2.25
36"	1	1150	10194	8961	-	0.70
36"	3	1750	15500	14640	13840	2.45
42"	1	850	14640	13222	11985	0.94
42"	2	1150	17618	16879	16019	1.99
42"	5	1150	26150	25120	24040	4.35
48"	2	850	21840	20200	18400	1.76
48"	5	1150	29500	28300	27100	4.58
60"	3	850	32200	29775	27550	2.30

CONSTRUCTION FEATURES

1. Weatherproof streamlined drain trough.
2. Rigid bearing bracket with iolite damper bearings.
3. Leak proof base, no bolt holes.
4. Aluminum dampers with reinforced center strip.
5. All metal assembly for permanent alignment and rattle free operation.
6. Lifting lugs on large units to facilitate installation.
7. Welded base and hanger assembly.
8. Internal condensation drain.



Direct Drive

1PH 115/230V

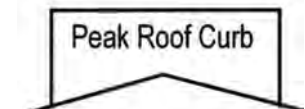
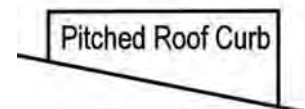
EDP Number	Catalog No.	Prop Dia.	Motor HP	Ship Wt.	List Price
30250	UP18H-G3	18"	1/2 (TE)	165	\$3,120
30260	UP24H-F3	24"	1/3 (TE)	290	\$3,683
30270	UP24H-I3	24"	1 (TE)	290	\$3,516
30280	UP30H-H3	30"	3/4 (TE)	290	\$3,392

3PH 230/460V

EDP Number	Catalog No.	Prop Dia.	Motor HP	Ship Wt.	List Price
30400	UP18H-G8	18"	1/2 (TE)	165	\$3,065
30410	UP24H-F8	24"	1/3 (TE)	230	\$5,043
30420	UP24H-I8	24"	1 (TE)	230	\$3,526
30430	UP30H-H8	30"	3/4 (TE)	290	\$4,559
30440	UP30H-K8	30"	2 (TE)	290	\$4,584
30450	UP36H-I8	36"	1 (TE)	350	\$5,345
30460	UP36H-L8	36"	3 (TE)	350	\$5,628
30470	UP42H-I8	42"	1 (TE)	500	\$7,478
30480	UP42H-K8	42"	2 (TE)	500	\$7,490
30490	UP42H-M8	42"	5 (TE)	500	\$7,545
30500	UP48H-K8	48"	2 (TE)	575	\$9,579
30510	UP48H-M8	48"	5 (TE)	575	\$9,672
30520	UP60H-L8	60"	3 (TE)	775	\$11,818

Roof Curbs For UP & UPB Series

EDP Number	Catalog No.	Prop Dia.	Ship Wt.	Description	List Price
31050	PACN31.5-8	18"	34	31 1/2" x 31 1/2" x 8" Insulated steel curb	\$356
31055	PACN37.5-8	24"	39	37 1/2" x 37 1/2" x 8" Insulated steel curb	\$425
31060	PACN43.5-8	30"	45	43 1/2" x 43 1/2" x 8" Insulated steel curb	\$491
31065	PACN49.5-8	36"	50	49 1/2" x 49 1/2" x 8" Insulated steel curb	\$562
31070	PACN55.5-8	42"	60	55 1/2" x 55 1/2" x 8" Insulated steel curb	\$664
31075	PACN61.5-8	48"	67	61 1/2" x 61 1/2" x 8" Insulated steel curb	\$695
31080	PACN73.5-8	60"	85	73 1/2" x 73 1/2" x 8" Insulated steel curb	\$833



UP/UPB are special custom order products that are non-cancelable, non returnable once in production.

PACN Curbs do not have Damper Shelf.

NOTES: For dimensional data, see page 69

Speed (RPM) is nominal. Performance is based on actual speed of test.

Performance shown is for installation Type A: Free Inlet, Free Outlet.

Performance ratings do not include the effects of appurtenances in the airstream. Power ratings (BHP) do not include drive losses.

Pitched and Peaked Curbs available.

For Pitched Roof Curb price, multiply flat roof curb price by 1.67.

For Peaked Roof Curb price, multiply flat roof curb price by 2.22.

For pricing of Pitched or Peaked Roof Curbs greater than 8" in height, consult factory.

Please specify Pitched or Peaked when ordering.

Metal roofs, consult factory for sizing and pricing.

Belt Drive Upblast Propeller Roof Ventilators

MODEL UPB

BELT DRIVE PERFORMANCE

Prop Dia.	HP	RPM	0" SP CFM	1/8" CFM	1/4" CFM	Max BHP
24"	1/2	985	5652	4967	4152	0.57
24"	3/4	1133	6501	5940	5309	0.74
24"	1	1256	7207	6690	6121	1.01
30"	3/4	773	8870	7900	6493	0.77
30"	1	849	9742	8944	7836	1.02
30"	1-1/2	979	11233	10730	9644	1.57
30"	2	1085	12449	12072	11061	2.13
36"	1	661	12367	10698	9401	0.97
36"	1-1/2	767	14350	13024	11250	1.51
36"	2	857	16033	14810	13804	2.11
36"	3	981	18353	17355	16406	3.17
36"	5	1172	21927	21057	20291	5.4
42"	1-1/2	598	17332	15616	13557	1.39
42"	2	670	19418	17958	16174	1.95
42"	3	781	22635	21475	19943	3.09
42"	5	928	26896	25994	24767	5.18
48"	3	633	27124	25307	22865	2.99
48"	5	660	30516	28662	26807	3.96
60"	3	394	36216	31488	26008	3.04
60"	5	473	43478	39543	35691	5.25

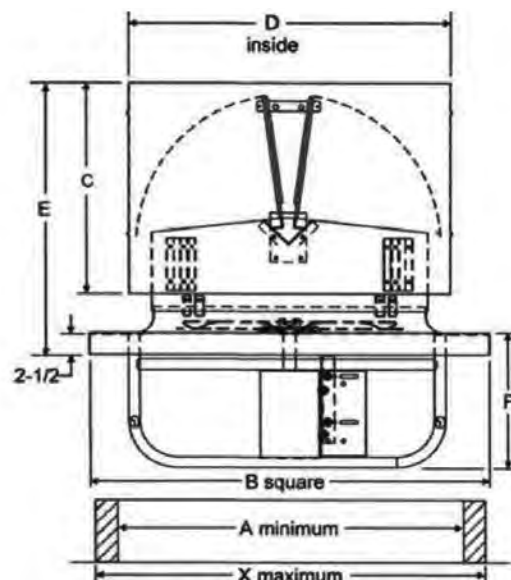
Belt Drive

1PH 115/230V

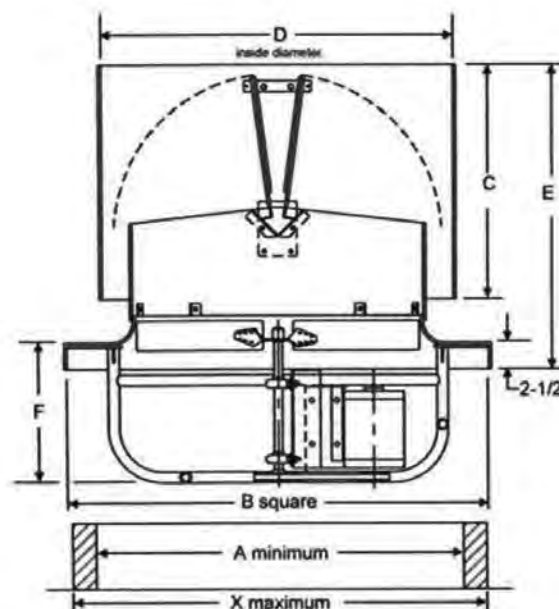
EDP Number	Catalog No.	Prop Dia.	Motor HP	Ship Wt.	List Price
30600	UPB24R-G3	24"	1/2 (TE)	270	\$3,712
30610	UPB24R-H3	24"	3/4 (TE)	270	\$3,841
30620	UPB24R-I3	24"	1 (TE)	270	\$3,840
30630	UPB30R-H3	30"	3/4 (TE)	330	\$4,620
30640	UPB30R-I3	30"	1 (TE)	330	\$4,647
30650	UPB30R-J3	30"	1 1/2 (TE)	330	\$4,799
30670	UPB36R-I3	36"	1 (TE)	375	\$5,572
30680	UPB36R-J3	36"	1 1/2 (TE)	375	\$5,714
30720	UPB42R-J3	42"	1 1/2 (TE)	525	\$6,453

3PH 230/460V

EDP Number	Catalog No.	Prop Dia.	Motor HP	Ship Wt.	List Price
30850	UPB24R-G8	24"	1/2 (TE)	270	\$3,636
30860	UPB24R-H8	24"	3/4 (TE)	270	\$3,683
30870	UPB24R-I8	24"	1 (TE)	270	\$3,664
30880	UPB30R-H8	30"	3/4 (TE)	330	\$4,477
30890	UPB30R-I8	30"	1 (TE)	330	\$4,559
30900	UPB30R-J8	30"	1 1/2 (TE)	330	\$4,722
30910	UPB30R-K8	30"	2 (TE)	330	\$4,714
30920	UPB36R-I8	36"	1 (TE)	375	\$5,355
30930	UPB36R-J8	36"	1 1/2 (TE)	375	\$5,639
30940	UPB36R-K8	36"	2 (TE)	375	\$5,521
30950	UPB36R-L8	36"	3 (TE)	375	\$6,007
30960	UPB36R-M8	36"	5 (TE)	375	\$6,663
30970	UPB42R-J8	42"	1 1/2 (TE)	525	\$6,402
30980	UPB42R-K8	42"	2 (TE)	525	\$6,339
30990	UPB42R-L8	42"	3 (TE)	525	\$6,751
31000	UPB42R-M8	42"	5 (TE)	525	\$7,383
31010	UPB48R-L8	48"	3 (TE)	600	\$7,710
31020	UPB48R-M8	48"	5 (TE)	600	\$7,973
31030	UPB60R-L8	60"	3 (TE)	800	\$10,652
31040	UPB60R-M8	60"	5 (TE)	800	\$11,160



UP SERIES



UPB SERIES

DIMENSIONS (INCHES)

Prop Dia.	A Min.	B	C	D	E	F		X Max.
						UP	UPB	
18	24	33	18	24	22	9 1/4		32
24	31	39	22	30	26	10 1/2	14	38
30	37	45	25	36	29	14 3/4	14	44
36	43	51	28	42	32	14 3/4	14	50
42	50	57	32	48	36	17 3/4	14	56
48	55	63	34	54	38	18	15	62
60	66	75	42	66	46	18	15	74

*APPROXIMATE - varies with motor size.



Direct Drive Propeller Rooftop Exhaust Fans

MODEL ARD

1 Year Warranty - FEATURES

- Wall or Roof Mount
- Spun Aluminum Housing
- Bird Screen
- Integral Vibration Isolators
- Aluminum Bladed Propellers
- Solid State Speed Control Not Available
- Emergency Disconnect Switch Standard

"Airmaster Fan certifies that Model ARD shown herein is (or are) licensed to bear the AMCA Seal. The ratings shown are based on tests and procedures performed in accordance with AMCA Publication 211 and AMCA Publication 311 and comply with the requirements of the AMCA Certified Ratings Program."



PERFORMANCE

Catalog No.	HP	RPM	Capacity (CFM) at "S.P.							
			0"	1/8"	1/4"	3/8"	1/2"	5/8"	3/4"	1"
ARD100	1/30	1500	525	330	225	140	-	-	-	-
ARD120	1/10	1500	830	700	620	510	430	350	250	80
ARD140	.17	1100	1160	880	790	650	520	390	240	-
ARD180	1/3	1100	2420	2000	1610	1500	1300	1050	890	410

* Performance shown is for installation type A: Free inlet, Free outlet. Performance ratings do not include the effects of appurtenances in the airstream. Power rating (BHP) does not include transmission losses.

115V Models & Optional Curbs

ODP 1 Speed 1 Phase 115V

EDP Number	Catalog No.	Prop Dia.	Ship Wt.	List Price
32644	ARD100XB	10"	12	\$786
32645	ARD120XB	12"	20	\$1,244
32646	ARD140BC	14"	34	\$1,649
32647	ARD180DC	18"	46	\$2,055

8" & 12" Curb

EDP Number	Catalog No.	Curb Size	Used With ARD Models Cat. No.	List Price
31100	PACA17.75-8	8"	ARD100XB, ARD120XB	\$227
31101	PACA17.75-12	12"	ARD100XB, ARD120XB	\$253
31102	PACA20-8	8"	ARD140BC	\$259
31103	PACA20-12	12"	ARD140BC	\$285
31110	PACA25-8	8"	ARD180DC	\$334
31111	PACA25-12	12"	ARD180DC	\$391

Roof Mount Damper

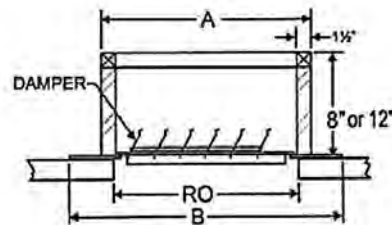
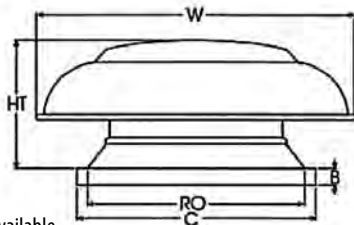
EDP Number	Catalog No.	Used With ARD Models Cat. No.	List Price
32452	BD14.5A	ARD100XB, ARD120XB	\$178
32453	BD16.75A	ARD140BC	\$204
32454	BD21.75A	ARD180DC	\$282

WALL MOUNT BRACKETS AVAILABLE - CONTACT FACTORY

Prop Dia.	Catalog Number	Ht	W	B	C	RO or WO
10"	ARD100	9"	18"	2"	19"	13"
12"	ARD120	11"	21-1/2"	2"	19"	13"
14"	ARD140	14"	27"	2"	21"	16"
18"	ARD180	16"	34"	2"	26"	20"

CURB DIMENSIONS

Curb Cat. No.	A Sq.	B Sq.	Roof Opening	Damper Cat. No.	Ship Wt.
PACA17.75	17-3/4"	23-3/4"	13"	BD14.5A	3
PACA20	20"	24"	16"	BD16.75A	4
PACA25	25"	29"	20"	BD21.75A	5



NOTES:

Pitched and Peaked Curbs available.

For Pitched Roof Curb price, multiply flat roof curb price by 1.67.

For Peaked Roof Curb price, multiply flat roof curb price by 2.22.

Please specify Pitched or Peaked when ordering.

Metal roofs, consult factory for sizing and pricing.

Special custom order product. Once in production, non-cancelable, non-returnable under any circumstance.



Centrifugal Direct Drive Exhaust Fans

MODEL CDD

1 Year Warranty - FEATURES

- Durable and Quiet at Higher Static Pressures
- Suitable for Roof or Wall Mount
- 115V, 1 Phase, 1 Speed, Open Drip Proof Motors
- Bird Screen Standard
- Emergency Disconnect Switch Standard
- Non-Overloading, Backward Inclined Wheel
- Variable Speed Control Standard



"Airmaster Fan certifies that Model CDD shown herein is (or are) licensed to bear the AMCA Seal. The ratings shown are based on tests and procedures performed in accordance with AMCA Publication 211 and AMCA Publication 311 and comply with the requirements of the AMCA Certified Ratings Program."



PERFORMANCE

Catalog No.	HP	RPM	Max Sones	Capacity (CFM) at "S.P.									
				0"	1/8"	1/4"	3/8"	1/2"	5/8"	3/4"	1"		
CDD100-2	1/10	1600	7.4	510	470	425	370	300	175				
CDD120-2	.18	1600	12.2	945	880	800	725	650	550				
CDD300B-2	1/4	1625	13.4	1410	1340	1265	1190	1110	1040	950	790		
CDD330B-2	1/3	1600	14.2	1310	1250	1190	1110	1030	950	860	680		
CDD550B-2	1/2	1600	17.4	2400	2300	2210	2120	2050	1910	1850	1600		

Speed Control allows for CFM range to 50% of CMF stated

* Performance shown is for installation type A: Free inlet, Free outlet. Performance ratings do not include the effects of appurtenances in the airstream. Power rating (BHP) does not include transmission losses. The sound ratings shown are loudness values in fan sones at 5 ft (1.5 m) in a hemispherical free field calculated per AMCA Standard 301. Values shown are for Installation Type A: Free inlet hemispherical sone levels.

115V Models

EDP Number	Catalog No.	Wheel Dia.	Ship Wt.	List Price
32446	CDD100-2	9"	30	\$917
32447	CDD120-2	10½"	35	\$1,047
32727	CDD300B-2	10¾"	45	\$1,702
32449	CDD330B-2	11¾"	45	\$2,229
32451	CDD550B-2	12"	50	\$2,635

8" & 12" Curb

EDP Number	Catalog No.	Curb Size	Used With CDD Models Cat. No.	List Price
31100	PACA17.75-8	8"	CDD100-2, CDD120-2	\$227
31101	PACA17.75-12	12"	CDD100-2, CDD120-2	\$253
31102	PACA20-8	8"	CDD300B-2, CDD330B-2, CDD550B-2	\$259
31103	PACA20-12	12"	CDD300B-2, CDD330B-2, CDD550B-2	\$285

Gravity Damper & Motor Kit

EDP Number	Catalog No.	Used With CDD Models Cat. No.	List Price
32452	BD14.5A	CDD100-2, CDD120-2	\$178
32453	BD16.75A	CDD300B-2, CDD330B-2, CDD550B-2	\$204
94283	Motor Kit	CDD100-2, CDD120-2, CDD300B-2, CDD330B-2, CDD550B-2	\$324

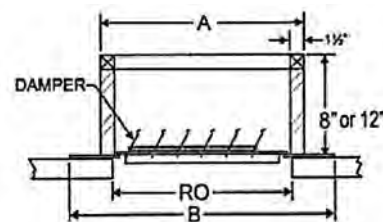
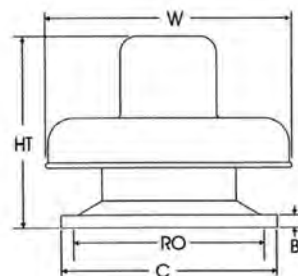
Special custom order product. Once in production, non-cancellable, nonreturnable under any circumstance.

FAN DIMENSIONS

Catalog Number	Ht	W	B	C	Wall or Roof Opening
CDD100	14-1/2"	20-3/4"	2"	19"	13"
CDD120	16-1/4"	23-3/4"	2"	19"	13"
CDD300B-2	19-1/8"	26-1/4"	2"	21"	16"
CDD330B-2	19-1/8"	26-1/4"	2"	21"	16"
CDD550B-2	21-3/4"	29-3/4"	2"	21"	16"

CURB DIMENSIONS

Curb Cat.No.	Ship Wt.	A Sq.	B Sq.	Roof Opening	Damper Cat. No.	Ship Wt.
PACA17.75	17	17-3/4"	23-3/4"	13"	BD14.5 A	3
PACA20	22	20"	24"	16"	BD16.75 A	4



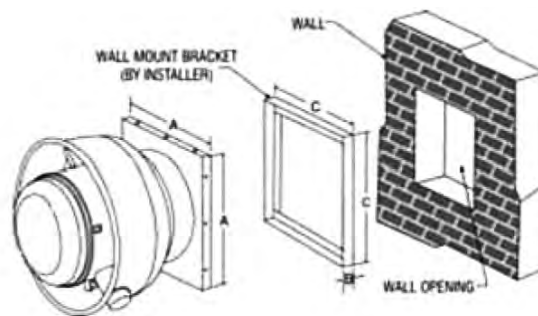
115V Models

Accessories

EDP Number	Catalog No.	Description	List Price
62000		Curb Hinge	\$172

CDD WALL MOUNTING DETAILS

MODEL	A	C	WALL OPENING
CDD100	19	18-1/2	13
CDD120	19	18-1/2	13
CDD300B	21	20-1/2	16
CDD330B	21	20-1/2	16
CDD500B	21	20-1/2	16



NOTES:

- Pitched and Peaked Curbs available.
- For Pitched Roof Curb price, multiply flat roof curb price by 1.67.
- For Peaked Roof Curb price, multiply flat roof curb price by 2.22.
- Please specify Pitched or Peaked when ordering.
- Metal roofs, consult factory for sizing and pricing.
- WALLMOUNT BRACKETS AVAILABLE - CONTACT FACTORY



Centrifugal Direct Drive Exhaust Fans

MODEL CBD

Handles Higher Static Pressures - Quietly
1 Year Warranty - FEATURES

- Non-Overloading Backward Inclined Wheel
- Aluminum Housing
- Forced Air Thru Motor Compartment
- Variable Pitch Motor Pulley Allows for Field Adjustments
- AMCA Licensed for Sound and Air
- Bird Screen
- Emergency Disconnect Switch Standard
- Suitable for Wall Mount up through CBD245MA

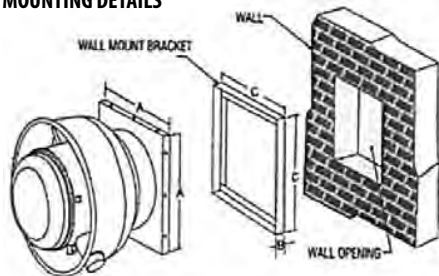
"Airmaster Fan certifies that Model CBD shown herein is (or are) licensed to bear the AMCA Seal. The ratings shown are based on tests and procedures performed in accordance with AMCA Publication 211 and AMCA Publication 311 and comply with the requirements of the AMCA Certified Ratings Program."



Catalog No.	Wheel Dia.	HP	Fan RPM	Capacity (CFM) at "S.P.										Max. Sones	Ship Wt.
				0"	1/8"	1/4"	3/8"	1/2"	3/4"	1"	1-1/4"	1-1/2"			
CBD130CA	13"	1/4	1200	1950	1850	1750	-	-	-	-	-	-	-	10.8	105
CBD130DA	13"	1/3	1300	2100	2050	1940	1850	-	-	-	-	-	-	11.8	105
CBD130FA	13"	1/2	1500	2420	2350	2280	2200	2150	-	-	-	-	-	17.1	105
CBD150DA	15"	1/3	1000	2600	2500	2300	2150	2000	1400	-	-	-	-	10.2	120
CBD150FA	15"	1/2	1200	3100	3000	2900	2800	2610	2350	1900	-	-	-	13.0	120
CBD150HA	15"	3/4	1300	3350	3300	3190	3100	2950	2690	2390	1900	-	-	15.8	130
CBD150JA	15"	1	1500	3850	3800	3710	3650	3510	3310	3100	2850	2500	-	21.0	130
CBD180DA	18"	1/3	700	2750	2600	2390	2200	1800	-	-	-	-	-	8.3	150
CBD180FA	18"	1/2	800	3100	3000	2800	2700	2400	1700	-	-	-	-	10.2	150
CBD180HA	18"	3/4	1000	3900	3800	3650	3500	3400	-	-	-	-	-	12.5	160
CBD180JA	18"	1	1100	4300	4200	4100	3950	3800	3600	-	-	-	-	13.9	160
CBD180KA	18"	1-1/2	1200	4700	4600	4500	4400	4250	4050	3800	3500	3100	-	19.2	180
CBD180MA	18"	2	1300	5100	5000	4900	4800	4700	4500	4250	4050	3750	-	24.0	190
CBD200FA	20"	1/2	700	4000	3875	3625	3375	2950	-	-	-	-	-	8.4	155
CBD200HA	20"	3/4	800	4600	4375	4250	4000	3750	3050	-	-	-	-	10.0	165
CBD200JA	20"	1	900	5125	5000	4875	4625	4500	3950	3250	-	-	-	12.8	165
CBD200KA	20"	1-1/2	1000	5750	5625	5450	5375	5125	4750	4250	3500	-	-	15.0	185
CBD200MA	20"	2	1200	6875	6750	6625	6500	6375	6125	-	-	-	-	19.8	195
CBD245HA	24"	3/4	600	5600	5400	5000	4500	4000	-	-	-	-	-	11.0	185
CBD245KA	24"	1-1/2	800	7550	7300	7100	6800	6500	5800	5000	3000	-	-	14.8	205
CBD245OA	24"	3	1000	9500	9250	9100	8900	8750	8250	7750	7200	6300	-	25.0	215
CBD300JA	30"	1	500	8200	7800	7500	7000	6500	5000	-	-	-	-	8.3	315
CBD300MA	30"	2	600	9700	9500	9250	8800	8500	7700	6400	-	-	-	12.6	345
CBD300OA	30"	3	700	11500	11250	11000	10750	10400	10250	9000	8000	6750	-	14.8	345
CBD300PA	30"	5	800	13100	12900	12600	12400	12200	11720	11200	10500	9600	-	21.0	380
CBD365KA	36"	1-1/2	400	11800	11000	10500	9500	8500	-	-	-	-	-	10.2	355
CBD365OA	36"	3	500	14600	14150	13700	13250	12500	11000	7800	-	-	-	14.9	365
CBD365PA	36"	5	600	17550	17200	16800	16500	15900	14800	13600	12000	-	-	19.7	400

* Performance shown is for installation type A: Free inlet, Free outlet. Performance ratings do not include the effects of appurtenances in the airstream. Power rating (BHP) does not include transmission losses. The sound ratings shown are loudness values in fan sones at 5 ft (1.5 m) in a hemispherical free field calculated per AMCA Standard 301. Values shown are for Installation Type A: Free inlet hemispherical sone levels.

CBD WALL MOUNTING DETAILS



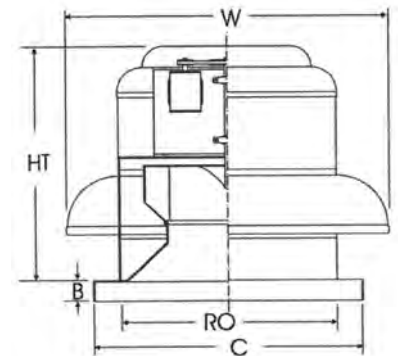
MODEL	A	B	WALL OPENING
CBD130	21	20-1/2	16
CBD150	24-3/4	24-1/4	20
CBD180	28	27-1/2	24
CBD200	28	27-1/2	24
CBD245	33	32-1/2	28

FAN DIMENSIONS

Catalog Number	Ht.	W.	B	C	RO or WO
CBD130	26.75"	29.63"	2"	21"	16"
CBD150	30.63"	33.25"	2"	24-3/4"	20"
CBD180	32.75"	38.9"	2"	28"	24"
CBD200	32.75"	38.9"	2"	28"	24"
CBD245	37.25"	43.44"	2"	33"	28"
CBD300	40"	52.8"	2"	40"	36"
CBD365	45.56"	63.3"	2"	44"	40"

NOTES:

Instructions for Wall Mounting included with each fan.
 Totally Enclosed Motors available upon request.
 50Hz motors available upon request.
 Special custom order product. Once in production, noncancellable, non-returnable under any circumstance.



Centrifugal Direct Drive Exhaust Fans

MODEL CBD

115/230V 1 Phase

EDP Number	Catalog No.	List Price
32459	CBD130CA	\$2,442
32460	CBD130DA	\$2,484
32461	CBD130FA	\$2,548
32463	CBD150DA	\$2,647
32464	CBD150FA	\$2,713
32466	CBD150HA	\$2,794
32468	CBD150JA	\$2,908
32471	CBD180DA	\$3,278
32472	CBD180FA	\$3,334
32474	CBD180HA	\$3,425
32476	CBD180JA	\$3,580
32478	CBD180KA	\$3,600
32480	CBD180MA	\$4,028
32483	CBD200FA	\$3,514
32485	CBD200HA	\$3,611
32487	CBD200JA	\$3,740
32489	CBD200KA	\$3,969
32495	CBD245HA	\$4,142
32497	CBD245JA	\$4,274
32499	CBD245KA	\$4,511
32503	CBD300JA	\$5,374
32505	CBD300KA	\$5,633
32513	CBD365KA	\$7,886

208/230/460V 3 Phase

EDP Number	Catalog No.	List Price
32462	CBD130FA	\$2,494
32465	CBD150FA	\$2,463
32467	CBD150HA	\$2,712
32469	CBD150JA	\$2,746
32473	CBD180FA	\$3,267
32475	CBD180HA	\$3,334
32477	CBD180JA	\$3,374
32479	CBD180KA	\$3,393
32481	CBD180MA	\$3,767
32484	CBD200FA	\$3,446
32486	CBD200HA	\$3,510
32488	CBD200JA	\$3,557
32493	CBD200KA	\$3,578
32494	CBD200MA	\$3,958
32496	CBD245HA	\$4,039
32498	CBD245JA	\$4,084
32500	CBD245KA	\$4,102
32501	CBD245MA	\$4,429
32502	CBD245OA	\$4,533
32504	CBD300JA	\$5,157
32506	CBD300KA	\$5,186
32507	CBD300MA	\$5,866
32508	CBD300OA	\$6,108
32509	CBD300PA	\$6,379
32514	CBD365KA	\$7,341
32516	CBD365OA	\$8,454
32517	CBD365PA	\$8,782

8" Curb

EDP Number	Catalog No.	List Price
31102	PACA20-8	\$259
31107	PACA23.75-8	\$317
31112	PACA27-8	\$362
31115	PACA32-8	\$427
31118	PACA39-8	\$519
31121	PACA43-8	\$505

EDP No. Used with CBD Models No.

31102	CBD130CA, CBD130DA, CBD130FA
31107	CBD150DA, CBD150FA, CBD150HA, CBD150JA
31112	CBD180FA, CBD180HA, CBD180JA, CBD180KA, CBD180MA, CBD200FA, CBD200HA, CBD200JA, CBD200KA, CBD200MA
31115	CBD245HA, CBD245JA, CBD245KA, CBD245MA, CBD245OA
31118	CBD300JA, CBD300KA, CBD300MA, CBD300OA, CBD300PA
31121	CBD365JA, CBD365KA, CBD365MA, CBD365OA, CBD365PA

12" Curb

EDP Number	Catalog No.	List Price
31103	PACA20-12	\$285
31108	PACA23.75-12	\$372
31113	PACA27-12	\$423
31116	PACA32-12	\$502
31119	PACA39-12	\$613
31122	PACA43-12	\$671

EDP No. Used with CBD Models No.

31103	CBD130CA, CBD130DA, CBD130FA
31108	CBD150DA, CBD150FA, CBD150HA, CBD150JA
31113	CBD180FA, CBD180HA, CBD180JA, CBD180KA, CBD180MA, CBD200FA, CBD200HA, CBD200JA, CBD200KA, CBD200MA
31116	CBD245HA, CBD245JA, CBD245KA, CBD245MA, CBD245OA
31119	CBD300JA, CBD300KA, CBD300MA, CBD300OA, CBD300PA
31122	CBD365JA, CBD365KA, CBD365MA, CBD365OA, CBD365PA

Damper - Gravity

EDP Number	Catalog No.	List Price
32453	BD16.75A	\$204
32455	BD29A	\$250
32456	BD23.75A	\$309
32518	BD37A	\$376
32457	BD44A	\$467
32458	BD39.75A	\$531

EDP No. Used with CBD Models No.

32453	CBD130CA, CBD130DA, CBD130FA
32455	CBD150DA, CBD150FA, CBD150HA, CBD150JA
32456	CBD180FA, CBD180HA, CBD180JA, CBD180KA, CBD180MA, CBD200FA, CBD200HA, CBD200JA, CBD200KA, CBD200MA
32518	CBD245HA, CBD245JA, CBD245KA, CBD245MA, CBD245OA
32457	CBD300JA, CBD300KA, CBD300MA, CBD300OA, CBD300PA
32458	CBD365JA, CBD365KA, CBD365MA, CBD365OA, CBD365PA

Damper - Motor Kit

EDP Number	Catalog No.	List Price
94283	Motor Kit	\$324
94282	Motor Kit	\$324

EDP No. Used with CBD Models No.

94283	CBD130CA, CBD130DA, CBD130FA, CBD150DA, CBD150FA, CBD180JA, CBD180KA, CBD180MA, CBD200FA, CBD200HA, CBD200JA, CBD200KA, CBD200MA, CBD245HA, CBD245JA, CBD245KA, CBD245MA, CBD245OA, CBD300JA, CBD300KA, CBD300MA, CBD300OA, CBD365JA, CBD365KA, CBD365MA, CBD365OA, CBD365PA
94282	CBD150HA, CBD150JA, CBD180DA, CBD180FA, CBD180HA, CBD180JA, CBD180KA, CBD180MA, CBD200FA, CBD200HA, CBD200JA, CBD200KA, CBD200MA, CBD245HA, CBD245JA, CBD245KA, CBD245MA, CBD245OA, CBD300JA, CBD300KA, CBD300MA, CBD300OA, CBD365JA, CBD365KA, CBD365MA, CBD365OA, CBD365PA

Wall Mount Damper

EDP Number	Catalog No.	List Price
32453	BD16.75A	\$204
32455	BD29A	\$250
32456	BD23.75A	\$309
32518	BD37A	\$376

EDP No. Used with CBD Models No.

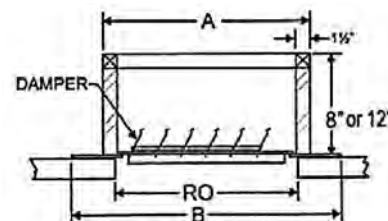
32453	CBD130CA, CBD130DA, CBD130FA
32455	CBD150DA, CBD150FA, CBD150HA, CBD150JA
32456	CBD180FA, CBD180HA, CBD180JA, CBD180KA, CBD180MA, CBD200FA, CBD200HA, CBD200JA, CBD200KA, CBD200MA
32518	CBD245HA, CBD245JA, CBD245KA, CBD245MA

The sound ratings shown are loudness values in fan sones at 5 ft. (1.5m) in a hemispherical free field calculated per AMCA Standard 301. Values shown are for installation Type A: Free inlet fan sone levels. Sonos are given for the highest value over catalog range.

WALL MOUNT BRACKETS AVAILABLE (through CBD245-MA) – CONTACT FACTORY

CURB DIMENSIONS

Curb Cat. No.	Ship Wt.	A Sq.	B Sq.	Roof Opening	Damper Cat. No.	Ship Wt.
PACA20	20	20"	24"	16"	BD16.75A	4
PACA23.75	23	23.75"	27.75"	20"	BD29A	6
PACA27	28	27"	31"	24"	BD23.75A	7
PACA32	39	32"	36"	28"	BD37A	9
PACA39	39	39"	43"	36"	BD44A	16
PACA43	45	43"	47"	40"	BD39.75A	18



Accessories

EDP Number	Catalog No.	Description	List Price
62000	Curb Hinge	Curb Hinge	\$172

NOTES:

Pitched and Peaked Curbs available.

For Pitched Roof Curb price, multiply flat roof curb price by 1.67.

For Peaked Roof Curb price, multiply flat roof curb price by 2.22.

Please specify Pitched or Peaked when ordering.

Metal roofs consult factory for sizing and pricing.



Belt Drive Centrifugal Upblast Exhaust Fans

MODEL CBU

High Efficiency...Quiet Operation 1 Year Warranty - FEATURES

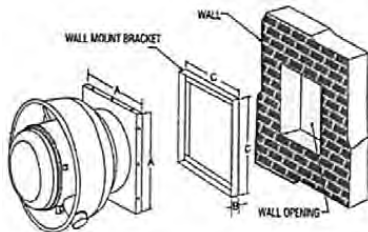
- Non-Overloading Backward Inclined Aluminum Wheel
- Suitable for Wall Mount up through CBU245MA
- Variable Pitch Motor Pulley Allows for Field Adjustment
- Emergency Disconnect Switch Standard
- AMCA Licensed for Sound and Air
- ETL Listed for Over Cooking and Grease Laden Air

"Airmaster Fan certifies that Model CBU shown herein is (or are) licensed to bear the AMCA Seal. The ratings shown are based on tests and procedures performed in accordance with AMCA Publication 211 and AMCA Publication 311 and comply with the requirements of the AMCA Certified Ratings Program."



Catalog No.	Wheel Dia.	HP	Fan RPM	Sones @ .25	Capacity (CFM) at "S.P.								Ship Wt.
					1/4"	3/8"	1/2"	3/4"	1"	1-1/4"	1-1/2"		
CBU130CA	13"	1/4	1125	11	1590	1500	1380	1000	-	-	-	120	
CBU130DA	13"	1/3	1225	14.6	1760	1700	1575	1325	-	-	-	120	
CBU130FA	13"	1/2	1425	18	2100	2050	1950	1780	1550	-	-	120	
CBU150DA	15"	1/3	1000	13	2300	2100	1910	1380	-	-	-	130	
CBU150FA	15"	1/2	1200	15.6	2800	2650	2570	2360	1900	-	-	130	
CBU150HA	15"	3/4	1300	20	3150	2950	2850	2610	2300	1850	-	140	
CBU150JA	15"	1	1500	24	3600	3500	3450	3290	3050	2750	2500	140	
CBU180DA	18"	1/3	800	11	2700	2500	2260	1760	-	-	-	150	
CBU180FA	18"	1/2	900	13	3125	3000	2750	2480	-	-	-	150	
CBU180HA	18"	3/4	1000	15	3550	3400	3250	2900	2750	-	-	160	
CBU180JA	18"	1	1100	17	3900	3880	3700	3400	3150	2800	-	160	
CBU180KA	18"	1-1/2	1300	23	4750	4625	4520	4300	4125	3875	3625	180	
CBU200DA	20"	1/3	600	6.6	2825	2450	1825	-	-	-	-	155	
CBU200FA	20"	1/2	700	10	3450	3325	2825	-	-	-	-	155	
CBU200HA	20"	3/4	800	12	4075	3950	3600	2950	-	-	-	165	
CBU200JA	20"	1	900	15.8	4700	4575	4325	3825	3200	-	-	165	
CBU200KA	20"	1-1/2	1100	22	5825	5700	5580	5300	4900	4450	4100	185	
CBU245JA	24"	1	625	12.5	4625	4375	4000	3000	-	-	-	200	
CBU245KA	24"	1-1/2	725	15.5	5600	5350	4050	4500	3625	-	-	220	
CBU245MA	24"	2	825	18.9	6550	6400	6100	5600	5000	4375	-	230	
CBU245OA	24"	3	925	19.8	7450	7250	7050	6650	6150	5650	5000	230	
CBU245PA	24"	5	1125	32	9250	9050	8875	8625	8250	7750	7400	270	
CBU300HA	30"	3/4	450	10	5250	4750	3900	-	-	-	-	340	
CBU300KA	30"	1-1/2	550	12.5	6750	6250	5800	4800	-	-	-	360	
CBU300MA	30"	2	650	17	8200	7800	7500	7250	6000	5250	-	370	
CBU300OA	30"	3	750	20	9600	9400	9100	8500	7800	7200	6250	370	
CBU300PA	30"	5	850	26	11000	10750	10500	10100	9500	9000	8350	410	
CBU365KA	36"	1-1/2	400	13	9600	8800	7800	-	-	-	-	500	
CBU365OA	36"	3	500	19	12500	12000	11500	10000	8100	-	-	510	
CBU365PA	36"	5	600	28	15500	15000	14500	13600	12500	11000	9000	550*	

*Performance shown is for installation type A: Free inlet, Free outlet. Performance ratings do not include the effects of appurtenances in the airstream. Power rating (BHP) does not include transmission losses. The sound ratings shown are loudness values in fan sones at 5 ft (1.5 m) in a hemispherical free field calculated per AMCA Standard 301. Values shown are for Installation Type A: Free inlet hemispherical sone levels.



CBU WALL MOUNTING DETAILS

MODEL	A	C	WALL OPENING
CBU130	21	20-1/2	16
CBU150	24-3/4	24-1/4	20
CBU 180	28	27-1/2	24
CBU200	28	27-1/2	24
CBU245	33	32-1/2	28

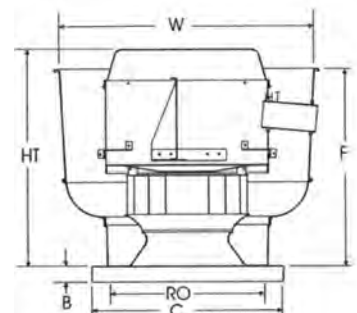
FAN DIMENSIONS

Wheel Dia.	Catalog Number	Ht.	W.	B	C	F	RO or WO
13"	CBU130	27.25"	30.25"	2"	21"	21.5"	16"
15"	CBU150	30.5"	33.75"	2"	24-3/4"	23"	20"
18"	CBU180	33.75"	39.38"	2"	28"	22.63"	24"
20"	CBU200	33.68"	38.88"	2"	28"	29.5"	24"
24"	CBU245	37.5"	43.38"	2"	33"	30.68"	28"
30"	CBU300	40"	52.75"	2"	40"	33.5"	36"
36"	CBU365	45.56"	63.44"	2"	44"	43.44"	40"

* Wall mount not available for 30" or 36" size

NOTES: Instructions for Wall Mounting included with each fan.
50Hz motors available upon request.

Special custom order product. Once in production, noncancellable, non-returnable under any circumstance.





Belt Drive Centrifugal Upblast Exhaust Fans

MODEL CBU Single Speed (ODP)

115/230V 1 Phase

EDP Number	Catalog No.	List Price
32524	CBU130CA	\$2,964
32525	CBU130DA	\$2,990
32526	CBU130FA	\$3,006
32528	CBU150DA	\$3,123
32529	CBU150FA	\$3,201
32532	CBU150HA	\$3,297
32534	CBU150JA	\$3,430
32536	CBU180DA	\$3,845
32537	CBU180FA	\$3,935
32539	CBU180HA	\$4,045
32541	CBU180JA	\$4,194
32543	CBU180KA	\$4,248
32545	CBU200DA	\$4,054
32546	CBU200FA	\$4,148
32548	CBU200HA	\$4,261
32552	CBU200JA	\$4,418
32554	CBU200KA	\$4,689
32556	CBU245HA	\$4,888
32558	CBU245JA	\$5,046
32560	CBU245KA	\$5,325
32565	CBU300HA	\$6,165
32567	CBU300JA	\$6,344
32569	CBU300KA	\$6,650
32577	CBU365KA	\$9,306

208/230/460V 3 Phase

EDP Number	Catalog No.	List Price
32527	CBU130FA	\$2,943
32531	CBU150FA	\$3,136
32533	CBU150HA	\$3,200
32535	CBU150JA	\$3,244
32538	CBU180FA	\$3,858
32540	CBU180HA	\$3,933
32542	CBU180JA	\$3,982
32544	CBU180KA	\$4,003
32547	CBU200FA	\$4,067
32549	CBU200HA	\$4,146
32553	CBU200JA	\$4,196
32555	CBU200KA	\$4,221
32557	CBU245HA	\$4,767
32559	CBU245JA	\$4,819
32561	CBU245KA	\$4,846
32562	CBU245MA	\$5,227
32563	CBU245OA	\$5,348
32564	CBU245PA	\$5,835
32566	CBU300HA	\$6,031
32568	CBU300JA	\$6,088
32573	CBU300KA	\$6,117
32574	CBU300MA	\$6,925
32575	CBU300OA	\$7,207
32576	CBU300PA	\$7,531
32578	CBU365KA	\$8,663
32580	CBU365OA	\$9,976
32581	CBU365PA	\$10,366

Optional Accessories

8" Curb

EDP Number	Catalog No.	List Price
31102	PACA20-8	\$259
31107	PACA23.75-8	\$317
31112	PACA27-8	\$362
31115	PACA32-8	\$427
31118	PACA39-8	\$519
31121	PACA43-8	\$505

EDP No. Used with CBU Models No.

31102	CBU130CA, CBU130DA, CBU130FA
31107	CBU150DA, CBU150FA, CBU150HA, CBU150JA
31112	CBU180FA, CBU180HA, CBU180JA, CBU180KA, CBU180MA, CBU200FA, CBU200HA, CBU200JA, CBU200KA, CBU200MA, CBU245HA, CBU245JA, CBU245KA, CBU245MA, CBU245OA
31115	CBU300JA, CBU300KA, CBU300MA, CBU300OA, CBU300PA
31118	CBU365JA, CBU365KA, CBU365MA, CBU365OA, CBU365PA

12" Curb

EDP Number	Catalog No.	List Price
31103	PACA20-12	\$285
31108	PACA23.75-12	\$372
31113	PACA27-12	\$423
31116	PACA32-12	\$502
31119	PACA39-12	\$613
31122	PACA43-12	\$671

EDP No. Used with CBU Models No.

31103	CBU130CA, CBU130DA, CBU130FA
31108	CBU150DA, CBU150FA, CBU150HA, CBU150JA
31113	CBU180FA, CBU180HA, CBU180JA, CBU180KA, CBU180MA, CBU200FA, CBU200HA, CBU200JA, CBU200KA, CBU200MA, CBU245HA, CBU245JA, CBU245KA, CBU245MA, CBU245OA
31116	CBU300JA, CBU300KA, CBU300MA, CBU300OA, CBU300PA
31119	CBU365JA, CBU365KA, CBU365MA, CBU365OA, CBU365PA

18" High Ventilated Curb

EDP Number	Catalog No.	List Price
31104	PACA20-18V	\$525
31109	PACA23.75-18V	\$622
31114	PACA27-18V	\$708
31117	PACA32-18V	\$839
31120	PACA39-18V	\$1,023
31123	PACA43-18V	\$1,126

EDP No. Used with CBU Models No.

31104	CBU130CA, CBU130DA, CBU130FA
31109	CBU150DA, CBU150FA, CBU150HA, CBU150JA
31113	CBU180FA, CBU180HA, CBU180JA, CBU180KA, CBU180MA, CBU200FA, CBU200HA, CBU200JA, CBU200KA, CBU200MA, CBU245HA, CBU245JA, CBU245KA, CBU245MA, CBU245OA
31116	CBU300JA, CBU300KA, CBU300MA, CBU300OA, CBU300PA
31119	CBU365JA, CBU365KA, CBU365MA, CBU365OA, CBU365PA

Damper - Gravity

EDP Number	Catalog No.	List Price
32453	BD16.75A	\$204
32455	BD29A	\$250
32456	BD23.75A	\$309
32518	BD37A	\$376
32457	BD44A	\$467
32458	BD39.75A	\$531

EDP No. Used with CBU Models No.

32455	CBU150DA, CBU150FA, CBU150HA, CBU150JA
32456	CBU180FA, CBU180HA, CBU180JA, CBU180KA, CBU180MA, CBU200HA, CBU200JA, CBU200KA, CBU200MA, CBU200OA, CBU245HA, CBU245JA, CBU245KA, CBU245MA, CBU245OA, CBU245PA
32518	CBU300HA, CBU300JA, CBU300KA, CBU300MA, CBU300OA, CBU300PA

Damper - Motor Kit

EDP Number	Catalog No.	List Price
94283	Motor Kit	\$324
94282	Motor Kit	\$324

EDP No. Used with CBU Models No.

94283	CBU130CA, CBU130DA, CBU130FA, CBU150DA, CBU150FA, CBU150HA, CBU150JA, CBU180FA, CBU180HA, CBU180JA, CBU180KA, CBU180MA, CBU200JA, CBU200KA, CBU200MA, CBU200OA, CBU245HA, CBU245JA, CBU245KA, CBU245MA, CBU245OA, CBU300HA, CBU300JA, CBU300KA, CBU300MA, CBU300OA, CBU300PA
-------	--

Wall Mount Damper

EDP Number	Catalog No.	List Price
32453	BD16.75A	\$204
32455	BD29A	\$250
32456	BD23.75A	\$309
32518	BD37A	\$376

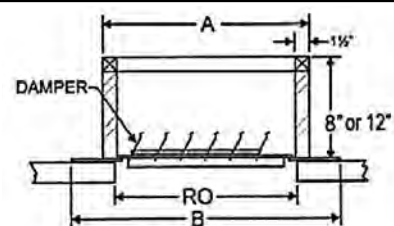
EDP No. Used with CBU Models No.

32453	CBU130CA, CBU130DA, CBU130FA
32455	CBU150DA, CBU150FA, CBU150HA, CBU150JA
32456	CBU180FA, CBU180HA, CBU180JA, CBU180KA, CBU180MA, CBU200HA, CBU200JA, CBU200KA, CBU200MA, CBU200OA
32518	CBU245HA, CBU245JA, CBU245KA, CBU245MA

WALL MOUNT BRACKETS AVAILABLE (through CBU245-MA) – CONTACT FACTORY

CURB DIMENSIONS

Curb Cat. No.	Ship Wt.	A Sq.	B Sq.	Roof Opening	Damper Cat. No.	Ship Wt.
PACA20	20	20"	24"	16"	BD16.75A	4
PACA23.75	23	23.75"	27.75"	20"	BD29A	6
PACA27	28	27"	31"	24"	BD23.75A	7
PACA32	39	32"	36"	28"	BD37A	9
PACA39	39	39"	43"	36"	BD44A	16
PACA43	45	43"	47"	40"	BD39.75A	18



Accessories

EDP Number	Catalog No.	Description	List Price
62000	Curb Hinge	Curb Hinge	\$172
62002	Bird Screen	Bird Screen	\$194
62003	Grease Box	Grease Box	\$194

NOTE: Cannot use a Bird Screen and a Grease Box on the same fan.

NOTES: Non-Vented Curbs Available. Consult factory.

Pitched and Peaked Curbs available.

For Pitched Roof Curb price, multiply flat roof curb price by 1.67.

For Peaked Roof Curb price, multiply flat roof curb price by 2.22.

Please specify Pitched or Peake d when ordering.

Metal roofs, consult factory for sizing and pricing.



High Pressure Belt Drive Centrifugal Upblast Exhaust Fans

MODEL CBU-HP

Designed for High Static Pressure Installations

1 Year Warranty - FEATURES

- Non-Overloading Backward Inclined Aluminum Wheel
- Variable Pitch Motor Pulley for Field Adjustment
- AMCA Licensed for Sound and Air
- Emergency Disconnect Switch Standard
- Suitable for Wall Mount up through CBU-HP245MA
- ETL Listed for Over Cooking and Grease Laden Air

"Airmaster Fan certifies that Model CBU-HP shown herein is (or are) licensed to bear the AMCA Seal. The ratings shown are based on tests and procedures performed in accordance with AMCA Publication 211 and AMCA Publication 311 and comply with the requirements of the AMCA Certified Ratings Program."

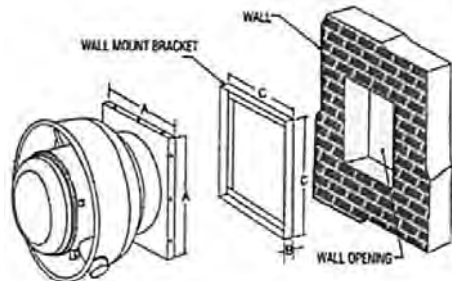


Catalog No.	Wheel Dia.	HP	Fan RPM	Capacity (CFM) at "S.P.									Max Sones	Ship Wt.
				1/2"	3/4"	1"	1 1/2"	2"	2 1/4"	2 1/2"	2 3/4"			
CBU-HP150DA	15"	1/3	1200	1540	1310	900	-	-	-	-	-	12.3	130	
CBU-HP150FA	15"	1/2	1400	1900	1750	1550	800	-	-	-	-	15.9	130	
CBU-HP150HA	15"	3/4	1600	2250	2110	1990	1650	700	-	-	-	20.0	140	
CBU-HP150JA	15"	1	1800	2590	2485	2360	2100	1750	1490	1000	-	23.0	140	
CBU-HP180FA	18"	1/2	1000	2375	2060	1625	-	-	-	-	-	10.3	150	
CBU-HP180HA	18"	3/4	1200	3050	2800	2590	1750	-	-	-	-	13.4	160	
CBU-HP180JA	18"	1	1300	3450	3250	3100	2500	-	-	-	-	16.3	160	
CBU-HP180KA	18"	1-1/2	1400	3800	3450	3300	2810	2130	-	-	-	22.0	180	
CBU-HP200HA	20"	3/4	1000	3100	2750	2400	1100	-	-	-	-	13.1	165	
CBU-HP200JA	20"	1	1100	3500	3200	2850	2250	-	-	-	-	16.2	165	
CBU-HP200KA	20"	1-1/2	1200	3875	3700	3375	2800	1750	-	-	-	21.0	185	
CBU-HP245JA	24"	1	800	4400	4000	3250	-	-	-	-	-	14.8	210	
CBU-HP245KA	24"	1-1/2	1000	5750	5500	5200	4300	-	-	-	-	17.1	230	
CBU-HP245OA	24"	3	1200	7200	6900	6700	6200	5350	5000	4400	4127	27.0	240	
CBU-HP300HA	30"	3/4	500	4750	3600	-	-	-	-	-	-	10.0	350	
CBU-HP300KA	30"	1-1/2	600	6250	5600	4750	-	-	-	-	-	15.6	370	
CBU-HP300MA	30"	2	700	7700	7200	6600	5000	-	-	-	-	18.0	380	
CBU-HP300OA	30"	3	800	9000	8550	8200	7200	5500	-	-	-	22.0	380	
CBU-HP300PA	30"	5	900	10300	9950	9550	8800	7800	7300	6500	-	29.0	420	

*Performance shown is for installation type A: Free inlet, Free outlet. Performance ratings do not include the effects of appurtenances in the airstream. Power rating (BHP) does not include transmission losses. The sound ratings shown are loudness values in fan sones at 5 ft (1.5 m) in a hemispherical free field calculated per AMCA Standard 301. Values shown are for Installation Type A: Free inlet hemispherical sone levels.

CBU WALL MOUNTING DETAILS

MODEL	A	C	WALL OPENING
CBU-HP150	24-3/4"	24-1/4"	20"
CBU-HP180	28"	27-1/2"	24"
CBU-HP200	28"	27-1/2"	24"
CBU-HP245	33"	32-1/2"	28"



FAN DIMENSIONS

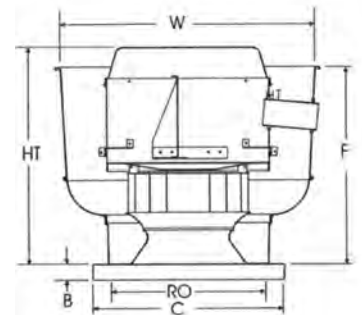
Wheel Dia.	Catalog Number	Ht.	W.	B	C	F	RO or WO
15"	CBU-HP 150	30.5"	33.75"	2"	24-3/4"	23"	20"
18"	CBU-HP 180	33.75"	39.38"	2"	28"	22.63"	24"
20"	CBU-HP 200	33.38"	38.68"	2"	28"	29.5"	24"
24"	CBU-HP 245	37.5"	43.38"	2"	33"	30.68"	28"
30"	CBU-HP 300	40"	52.75"	2"	40"	33.5"	36"

* Wall mount not available for 30" size

NOTES:

50Hz motors available.

Special custom order product. Once in production, noncancelable, non-returnable under any circumstance.





High Pressure Belt Drive Centrifugal Upblast Exhaust Fans

MODEL CBU-HP

1 Sp / 1 Ph 115/230V

EDP Number	Catalog No.	List Price
32582	CBU-HP150DA	\$3,364
32583	CBU-HP150FA	\$3,446
32585	CBU-HP150HA	\$3,551
32587	CBU-HP150JA	\$3,693
32589	CBU-HP180FA	\$4,241
32593	CBU-HP180HA	\$4,356
32595	CBU-HP180JA	\$4,519
32597	CBU-HP180KA	\$4,574
32599	CBU-HP180MA	\$5,119
32601	CBU-HP200HA	\$4,594
32603	CBU-HP200JA	\$4,759
32605	CBU-HP200KA	\$5,051
32607	CBU-HP200MA	\$5,378
32609	CBU-HP200OA	\$6,546
32613	CBU-HP245HA	\$5,265
32615	CBU-HP245JA	\$5,439
32617	CBU-HP245KA	\$5,733
32619	CBU-HP245MA	\$6,791
32621	CBU-HP245OA	\$7,424
32624	CBU-HP300HA	\$6,640
32628	CBU-HP300KA	\$7,164
32632	CBU-HP300MA	\$7,785
32634	CBU-HP300OA	\$8,545

1 Sp / 3 Ph 208/230/460V

EDP Number	Catalog No.	List Price
32584	CBU-HP150FA	\$3,378
32586	CBU-HP150HA	\$3,446
32588	CBU-HP150JA	\$3,494
32592	CBU-HP180FA	\$4,156
32594	CBU-HP180HA	\$4,234
32596	CBU-HP180JA	\$4,287
32598	CBU-HP180KA	\$4,313
32600	CBU-HP180MA	\$4,789
32602	CBU-HP200HA	\$4,466
32604	CBU-HP200JA	\$4,519
32606	CBU-HP200KA	\$4,998
32608	CBU-HP200MA	\$5,033
32612	CBU-HP200OA	\$5,899
32614	CBU-HP245HA	\$5,132
32616	CBU-HP245JA	\$5,189
32618	CBU-HP245KA	\$5,214
32620	CBU-HP245MA	\$5,630
32622	CBU-HP245OA	\$5,759
32623	CBU-HP245PA	\$6,283
32625	CBU-HP300HA	\$6,497
32629	CBU-HP300KA	\$6,589
32633	CBU-HP300MA	\$6,199
32635	CBU-HP300OA	\$7,760
32636	CBU-HP300PA	\$8,110

Optional Accessories

8" Curb

EDP Number	Catalog No.	List Price
31107	PACA23.75-8	\$317
31112	PACA27-8	\$362
31115	PACA32-8	\$427
31118	PACA39-8	\$519

EDP No. Used with CBU-HD Models No.

31107	CBU-HP150DA, CBU-HP150FA, CBU-HP150HA, CBU-HP150JA
31112	CBU-HP180FA, CBU-HP180HA, CBU-HP180JA, CBU-HP180KA, CBU-HP180MA, CBU-HP200HA, CBU-HP200JA, CBU-HP200KA, CBU-HP200MA, CBU-HP200OA
31115	CBU-HP245HA, CBU-HP245JA, CBU-HP245KA, CBU-HP245MA, CBU-HP245OA, CBU-HP245PA
31118	CBU-HP300HA, CBU-HP300KA, CBU-HP300MA, CBU-HP300OA, CBU-HP300PA

12" Curb

EDP Number	Catalog No.	List Price
31108	PACA23.75-12	\$372
31113	PACA27-12	\$423
31116	PACA32-12	\$502
31119	PACA39-12	\$613

EDP No. Used with CBU-HD Models No.

31108	CBU-HP150DA, CBU-HP150FA, CBU-HP150HA, CBU-HP150JA
31113	CBU-HP180FA, CBU-HP180HA, CBU-HP180JA, CBU-HP180KA, CBU-HP180MA, CBU-HP200HA, CBU-HP200JA, CBU-HP200KA, CBU-HP200MA, CBU-HP200OA
31116	CBU-HP245HA, CBU-HP245JA, CBU-HP245KA, CBU-HP245MA, CBU-HP245OA, CBU-HP245PA
31119	CBU-HP300HA, CBU-HP300KA, CBU-HP300MA, CBU-HP300OA, CBU-HP300PA

18" High Ventilated Curb

EDP Number	Catalog No.	List Price
31109	PACA23.75-18V	\$622
31114	PACA27-18V	\$708
31117	PACA32-18V	\$839
31120	PACA39-18V	\$1,023

EDP No. Used with CBU-HD Models No.

31109	CBU-HP150DA, CBU-HP150FA, CBU-HP150HA, CBU-HP150JA
31114	CBU-HP180FA, CBU-HP180HA, CBU-HP180JA, CBU-HP180KA, CBU-HP180MA, CBU-HP200HA, CBU-HP200JA, CBU-HP200KA, CBU-HP200MA, CBU-HP200OA
31117	CBU-HP245HA, CBU-HP245JA, CBU-HP245KA, CBU-HP245MA, CBU-HP245OA, CBU-HP245PA
31120	CBU-HP300HA, CBU-HP300KA, CBU-HP300MA, CBU-HP300OA, CBU-HP300PA

Damper - Gravity

EDP Number	Catalog No.	List Price
32455	BD29A	\$250
32456	BD23.75A	\$309
32518	BD37A	\$376
32457	BD44A	\$467

EDP No. Used with CBD Models No.

32455	CBU-HP150DA, CBU-HP150FA, CBU-HP150HA, CBU-HP150JA
32456	CBU-HP180FA, CBU-HP180HA, CBU-HP180JA, CBU-HP180KA, CBU-HP180MA, CBU-HP200HA, CBU-HP200JA, CBU-HP200KA, CBU-HP200MA, CBU-HP200OA
32518	CBU-HP245HA, CBU-HP245JA, CBU-HP245KA, CBU-HP245MA, CBU-HP245OA, CBU-HP245PA
32457	CBU-HP300HA, CBU-HP300KA, CBU-HP300MA, CBU-HP300OA, CBU-HP300PA

Damper - Motor Kit

EDP Number	Catalog No.	List Price
94283	Motor Kit	\$324
94282	Motor Kit	\$324

EDP No. Used with CBU Models No.

94283	CBU-HP130CA, CBU-HP130DA, CBU-HP130FA, CBU-HP150DA, CBU-HP150FA
94282	CBU-HP150HA, CBU-HP150JA, CBU-HP180FA, CBU-HP180HA, CBU-HP180JA, CBU-HP180KA, CBU-HP180MA, CBU-HP200HA, CBU-HP200JA, CBU-HP200KA, CBU-HP200MA, CBU-HP200OA, CBU-HP245HA, CBU-HP245JA, CBU-HP245KA, CBU-HP245MA, CBU-HP245OA, CBU-HP245PA, CBU-HP300HA, CBU-HP300KA, CBU-HP300MA, CBU-HP300OA, CBU-HP300PA

Wall Mount Damper

EDP Number	Catalog No.	List Price
32455	BD29A	\$250
32456	BD23.75A	\$309
32518	BD37A	\$376

EDP No. Used with CBU Models No.

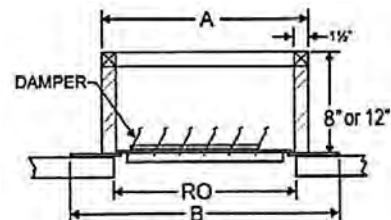
32455	CBU-HP150DA, CBU-HP150FA, CBU-HP150HA, CBU-HP150JA
32456	CBU-HP180FA, CBU-HP180HA, CBU-HP180JA, CBU-HP180KA, CBU-HP180MA, CBU-HP200HA, CBU-HP200JA, CBU-HP200KA, CBU-HP200MA, CBU-HP200OA
32518	CBU-HP245HA, CBU-HP245JA, CBU-HP245KA, CBU-HP245MA

The sound ratings shown are loudness values in fan sones at 5 ft. (1.5m) in a hemispherical free field calculated per AMCA Standard 301. Values shown are for installation Type A: Free inlet fan sone levels. Sones are given for the highest value over catalog range. Backdraft Damper not for use in kitchen exhaust applications.

WALL MOUNT BRACKETS AVAILABLE (through CBU-HP245-MA) - CONTACT FACTORY

CURB DIMENSIONS

Curb Cat. No.	Ship Wt.	A Sq.	B Sq.	Roof Opening	Damper Cat. No.	Ship Wt.
PACA20	20	20"	24"	16"	BD16.75A	4
PACA23.75	23	23.75"	27.75"	20"	BD29A	6
PACA27	28	27"	31"	24"	BD23.75A	7
PACA32	39	32"	36"	28"	BD37A	9
PACA39	39	39"	43"	36"	BD44A	16
PACA43	45	43"	47"	40"	BD39.75A	18



Accessories

EDP Number	Catalog No.	Description	List Price
62000	Curb Hinge	Curb Hinge	\$172
62002	Bird Screen	Bird Screen	\$194
62003	Grease Box	Grease Box	\$194

NOTE: Cannot use a Bird Screen and a Grease Box on the same fan.

NOTES: Non-Vented Curbs Available. Consult factory.

Pitched and Peaked Curbs available.

For Pitched Roof Curb price, multiply flat roof curb price by 1.67.

For Peaked Roof Curb price, multiply flat roof curb price by 2.22.

Please specify Pitched or Peaked when ordering.

Metal roofs, consult factory for sizing and pricing.



Direct Drive Centrifugal Upblast / Wall Fans

MODEL CDU

Roof and Wall Mount Versatility

1 Year Warranty - FEATURES

- High Vertical Discharge - Prevents Recirculation
- Emergency Disconnect Switch Standard
- Non-Overloading, Backward Inclined Wheel
- Variable Speed Control Standard
- Rubber Vibration Isolators for Quiet Operation
- Compact Size for Easy Installation



"Airmaster Fan certifies that Model CDU shown herein is (or are) licensed to bear the AMCA Seal. The ratings shown are based on tests and procedures performed in accordance with AMCA Publication 211 and AMCA Publication 311 and comply with the requirements of the AMCA Certified Ratings Program."



PERFORMANCE

Catalog No.	HP	RPM	Tip Speed	Max Sones	Capacity (CFM) at "S.P.												
					0"	1/8"	1/4"	3/8"	1/2"	5/8"	3/4"	1"	1-1/4"	1-1/2"			
**CDU100-2	.08	1600	3770	9.0	537	493	447	398	343	280	204						
CDU120-2	.18	1525	4192	11.0	870	840	760	700	600	500	360						
CDU300B-2	1/4	1525	4691	12.0	1210	1150	1100	1050	990	900	840	610					
CDU330B-2	1/3	1700	5229	14.7	1390	1345	1270	1220	1150	1060	1000	840	650				
CDU500B-2	1/2	1650	5940	18.9	2100		2000		1800		1600	1350	1100	750			

**CDU100-2 UL 705 Listed.

*Performance shown is for installation type A: Free inlet, Free outlet. Performance ratings do not include the effects of appurtenances in the airstream. Power rating (BHP) does not include transmission losses. The sound ratings shown are loudness values in fan sones at 5 ft (1.5 m) in a hemispherical free field calculated per AMCA Standard 301. Values shown are for Installation Type A: Free inlet hemispherical sone levels. Variable speed control allows for 50% range of stated CFM. Speed control can be wired for low or high speed. Performance shown is for installation Type A; Free Inlet, Free Outlet. Performance includes effect of bird screen in the airstream. Speed (RPM) shown is nominal and performance is based on actual speed of test.

115V Models & Optional Curbs

ODP 1 Speed 1 Phase 115V

EDP Number	Catalog No.	Wheel Dia.	Ship Wt.	List Price
32637	CDU100-2	8-3/4"	30	\$1,358
32638	CDU120-2	10-1/2"	40	\$1,390
32642	CDU300B-2	11-3/4"	50	\$3,043
32728	CDU330B-2	11-3/4"	50	\$3,043
32643	CDU500B-2	13-3/4"	55	\$3,329

8" Curb

EDP Number	Catalog No.	Curb Size	Used With CDU Models Cat. No.	List Price
31100	PACA17.75-8	8"	CDU100-2, CDU120-2	\$227
31102	PACA20-8	8"	CDU300B-2, CDU330B-2, CDU550B-2	\$259

12" Curb

EDP Number	Catalog No.	Curb Size	Used With CDU Models Cat. No.	List Price
31101	PACA17.75-12	12"	CDU100-2, CDU120-2	\$253
31103	PACA20-12	12"	CDU300B-2, CDU330B-2, CDU550B-2	\$285

Wall/Roof Mount Gravity Damper

EDP Number	Catalog No.	Used With CDU Models Cat. No.	List Price
32452	BD14.5A	CDU100-2, CDU120-2	\$178
32453	BD16.75A	CDU300B-2, CDU330B-2, CDU550B-2	\$204

Roof Mount Damper Motor Kit

EDP Number	Catalog No.	Used With CDU Models Cat. No.	List Price
94283	Motor Kit	CDU100-2, CDU120-2, CDU300B-2, CDU330B-2, CDU550B-2	\$324

Accessories

EDP Number	Catalog No.	Description	List Price
62000	Curb Hinge	Curb Hinge	\$172
62001	Bird Screen	Bird Screen - for CDU 100 - 120	\$194
62002	Bird Screen	Bird Screen - for CDU 300 - 500	\$194
62003	Grease Box	Grease Box	\$194

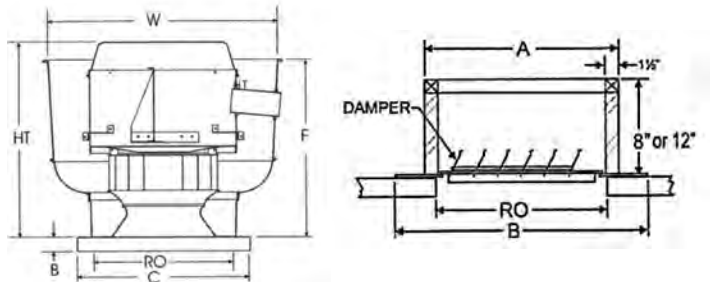
NOTE: Cannot use a Bird Screen and a Grease Box on the same fan.

FAN DIMENSIONS

Wheel Dia.	Catalog Number	Ht.	W.	B	C	F	RO or WO
8-3/4"	CDU100-2	14-1/2"	17-3/4"	2"	19"	9-1/2"	13"
10-1/2"	CDU120-2	18"	22"	2"	19"	14-1/2"	13"
11-3/4"	CDU300B-2	25-1/4"	25-1/2"	2"	21"	18-1/2"	16"
11-3/4"	CDU330B-2	25-1/4"	25-1/2"	12"	21"	18-1/2"	16"
13-3/4"	CDU500B-2	27-1/4"	28-7/8"	2"	21"	21-1/2"	16"

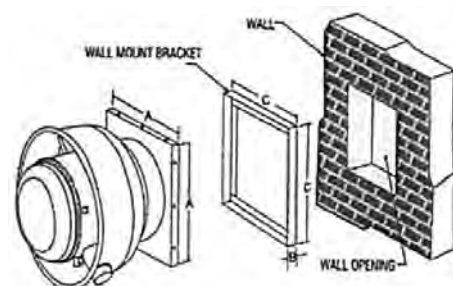
CURB DIMENSIONS

Curb Cat. No.	Ship Wt.	A Sq.	B Sq.	Roof Opening	Damper Cat. No.	Ship Wt.
PACA17.75	17	17-3/4"	23-3/4"	13"	BD14.5A	34
PACA20	20	20"	24"	16"	BD16.75A	34



CDU WALL MOUNTING DETAILS

MODEL	A	C	WO	Bracket EDP
CDU100-2	19	18-1/2"	13	32717
CDU120-2	19	18-1/2"	13	32717
CDU300B-2	21	20-1/2"	16	32718
CDU330B-2	21	20-1/2"	16	32718
CDU500B-2	21	20-1/2"	16	32718



NOTES:

Pitched and Peaked Curbs available. For Pitched Roof Curb price, multiply flat roof curb price by 1.67. For Peaked Roof Curb price, multiply flat roof curb price by 2.22. Please specify Pitched or Peaked when ordering.

Metal roofs, consult factory for sizing and pricing.

Special custom order product. Once in production, non-cancellable, nonreturnable under any circumstance.

WALL MOUNT BRACKETS AVAILABLE - CONTACT FACTORY

Gravity Relief Vents



MODEL EGRV
EGRV Gravity Non-Powered Relief Vent (Unit Has No Motor)
 Economical



EDP Number	Catalog No.	Approximate Throat Dia.	CFM*	Ship Wt.	List Price
32443	EGRV120	12"	1000	21	\$440
32444	EGRV140	14"	1475	33	\$969
32445	EGRV180	18"	2400	55	\$1,271

*Approximate CFM at 1200 FPM throat velocity.

Curb

EDP Number	Catalog No.	Used with EGRV Model Catalog No.	List Price
31100	PACA17.75-8	EGRV120	\$227
31102	PACA20-8	EGRV140	\$259
31110	PACA25-8	EGRV180	\$334

Exhaust Backdraft Damper w/ Motor Kit**

EDP Number	Catalog No.	Used with EGRV Model Catalog No.	List Price
32452	BD14.5A	EGRV120	\$178
32453	BD16.75A	EGRV140	\$204
32454	BD21.75A	EGRV180	\$282
94283	Motor Kit	EGRV120, EGRV140, EGRV180	\$324

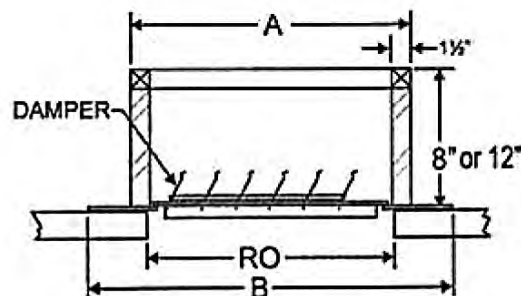
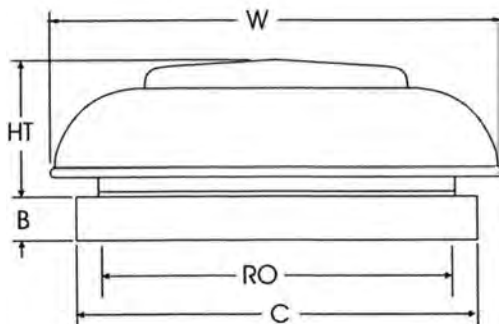
**Use motorized damper only. Bird Screen standard on EGRV models.

DIMENSIONS

Catalog Number	Ht.	W	B	C	Roof Opening	Approx. Throat Opening in Sq. Ft.
EGRV120	11"	20.3"	2"	18-1/2"	13"	.79
EGRV140	14"	27.3"	2"	21"	16"	1.07
EGRV180	16"	33.5"	2"	26"	20"	1.97

CURB DIMENSIONS

Approx. Throat Size	Curb Cat. No.	Ship Wt.	A Sq.	B Sq.	Roof Opening	Damper Cat. No.	Ship Wt.
12"	PACA17.75	17	17-3/4"	23-3/4"	13"	BD14.5A	3
14"	PACA20	20	20"	24"	16"	BD16.75A	4
18"	PACA25	26	25"	29"	20"	BD21.75A	5



Special custom order product. Once in production, non-cancellable, non-returnable under any circumstance.



MODEL CHELSEA HVB
1 Year Warranty
Quietest Whole House
Fan Ever Made



FEATURES

- Compliments Air Conditioning
- Complete Household Ventilation From One Fan
- Horizontal or Vertical Installation
- Two Speed Switch Included
- Efficient Removal of Large Volumes of Air
- Whisper Quiet, Spring Floating Action
- Safety Fuse Cut Off Switch Turns Off Power to Fan When Air Temperature Reaches 165°.



PERFORMANCE

Prop Dia.	0" S.P.	1/10" S.P.	Fan RPM	Dimensions L x W x D (Inches)	Ship Wt.
24"	5100/3400	4100/2800	600/400	27-1/2 x 27-1/2 x 16	63
30"	7400/4900	5800/3900	480/320	34-1/2 x 34-1/2 x 16	75
36"	9750/6500	7500/5050	400/265	40-1/2 x 40-1/2 x 16-1/8	89

115V, 2 Speed Semi-Enclosed Motors

EDP Number	Catalog No.	Prop Dia.	HP	List Price
32687	HVB24T	24"	1/3	\$1,758
32688	HVB30T	30"	1/3	\$1,847
32689	HVB36T	36"	1/3	\$2,138

Accessory Package containing springs, canvas boot, hangers hardware included in price. Safety fuse cut off switch turns fan off in the event of fire, also included in price.

Switches

EDP Number	Catalog No.	Temp. Range	Description	List Price
24830	90015 (G1E1)	-	Time Switch (up to 12 Hours)	\$160
24820	T-1	45° - 85° F	Temp. Switch (Wall Mt.)	\$266
90783	TS631	70° - 140° F	Temp. Switch (Attic Mt.)	\$252

Note: The optional switches should not be used with voltages above 115 or motors over 3/4 HP.

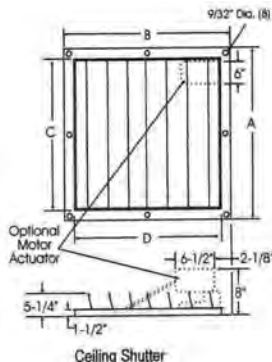
Optional Ceiling Shutters

EDP Number	Catalog No.	Prop Dia.	List Price
32760	AS24A	24"	\$265
32761	AS30A	30"	\$337
32763	AS36A	36"	\$387
32762	AS36R	36"	\$426

CEILING SHUTTER DIMENSIONS

Catalog Number	A	B	C	D	Framing	Ship Wt.
AS24A	26	26	24	24	23-1/2 x 23-1/2	13
AS30A	34-1/2	34-1/8	31-7/8	31-7/8	32-1/8 x 32-1/8	19
AS36A	38	38	36	36	36-1/2 x 36-1/2	24
AS36R	34	42-7/8	31-1/4	40-1/4	32-1/8 x 40-7/8	24

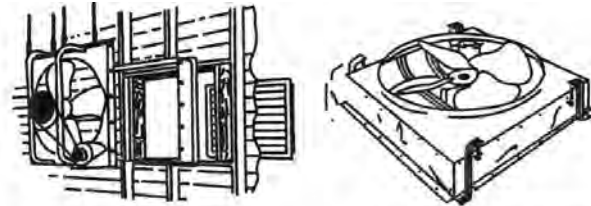
Note: The AS36R is rectangular to allow the HVB36 to be used in narrow hallways.



OPT. Motor Conversion Kit With Switch

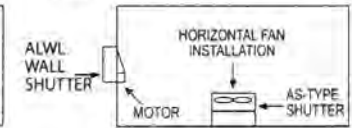
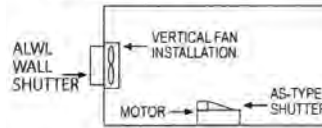
EDP Number	Catalog No.	Used On	Volt	List Price
99794	ASXP Kit	AS24 - 36	115/230	\$368
99790	A-LXP Kit 1	ALWL 24, 30 & 36	115/230	\$383

Motorized kits include motor, linkage and switch to energize the louver and/or shutter motor.



Vertical Installation

Horizontal Installation



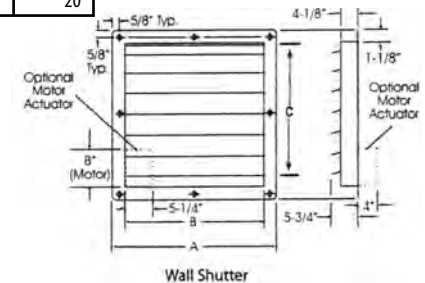
Optional Wall Shutters

EDP Number	Catalog No.	Prop Dia.	List Price
32695	ALWL24	24"	\$290
32696	ALWL30	30"	\$342
32697	ALWL36	36"	\$539

Attach only to outside wall of house.

WALL SHUTTER DIMENSIONS

Catalog Number	A	B	C	Ship Wt.
ALWL24	27-1/8	24	24	11
ALWL30	33-1/4	30	30	17
ALWL36	39-1/4	36	36	20



FAN/ACCESSORY SIZING

Zone Number House Volume Cubic Feet			Prop Dia.	ALWL Wall Shutter Size	AS Ceiling Shutter Size
1	2	3			
4000	6000	8000	24	24	24
6000	9000	12000	30	30	30
7000	11000	15000	36	36	36†

Determine your house location on the map. Find the zone number, For your area 1, 2, or 3 - denoted by the heavy lines on the map.

Calculate your house volume.

Find the zone number and the volume in chart. Your fan and accessory size is shown in the right hand column.

†Rectangular size AS36R available for narrow halls, see Ceiling Shutter Dimension chart.





AIF In-Line Duct Fans

5 Year Warranty

FEATURES

- Heavy gauge, drawn steel housing with baked epoxy finish
- Exceptionally quiet and efficient BC impeller
- Precision balanced for vibration-free operation
- Automatic reset thermal overload protection
- Corded models available
- Mounting brackets included for simple installation
- 120V operation, other voltages available
- Speed controllable

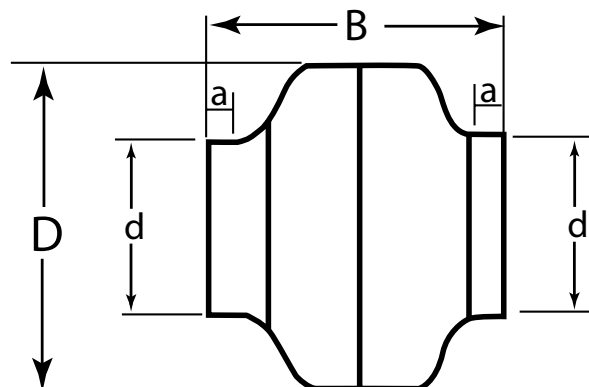


PERFORMANCE / PRICING

EDP Number	Catalog No.	Watts	RPM	Capacity (CFM) @ "S.P.										List Price	
				0	0.2	0.4	0.6	0.8	1.0	1.2	1.5	2.0	3.0		
23202	AIF100A ES	43.5	2580	147	130	107	82	57	34	11					\$207
23190	AIF100B	83.4	2620	150	140	127	112	94	74	53	23				\$212
23203	AIF125A ES	44.4	2520	179	150	121	87	49	14						\$215
23191	AIF125B	85.4	2750	183	160	141	122	101	77	51	14				\$218
23204	AIF150A ES	46.8	2390	235	190	148	97	44							\$221
23192	AIF150B ES	89.2	2450	308	260	216	175	139	108	81	47				\$302
23205	AIF200A ES	84.5	2500	368	300	234	184	149	114	70					\$309
23193	AIF200B ES	188	2550	579	520	453	387	329	282	245	206	154			\$335
23206	AIF250 ES	197	2470	616	550	488	431	379	330	286	227	143			\$423
23207	AIF300A ES	206	2450	780	700	595	420	330	290	255	210	132			\$523
23194	AIF300B ES	312	2780	970	910	803	680	559	453	367	273	164			\$605

DIMENSIONS IN INCHES

MODEL	D	d	a	B	Ship Weight
	(in.)	(in.)	(in.)	(in.)	(lbs)
AIF100A ES	9.5	3.9	1.0	8.3	7.5
AIF100B	9.5	3.9	1.0	8.3	8.0
AIF125A ES	9.5	4.8	1.0	8.3	7.5
AIF125B	9.5	4.5	1.0	8.3	7.5
AIF150A ES	9.5	5.8	1.0	8.3	7.5
AIF150B ES	13.2	5.8	1.0	9.1	12.5
AIF200A ES	13.2	7.8	1.0	9.1	12.0
AIF200B ES	13.2	7.8	1.0	9.1	15.0
AIF250 ES	13.2	9.8	1.0	9.1	15.0
AIF300A ES	15.9	11.8	1.2	11.8	18.0
AIF300B ES	15.9	11.8	1.2	11.8	18.0



AIF In-Line Duct Fan Accessories

EDP Number	Catalog No.	Ship Wt.	Description	List Price
23201	PS-DB	1.5	Pressure Sensing Switch Kit	\$130
24855	485210	1	Variable Speed Controller, 1 Phase, 5 amp speed control	\$40
23163	DF-4	1	4" Diffuser Vent	\$17
23177	DF-5	1	5" Diffuser Vent	\$18
23164	DF-6	1	6" Diffuser Vent	\$20
23170	DF-8	1.4	8" Diffuser Vent	\$32
23180	DF-10	1.8	10" Diffuser Vent	\$40
23179	DF-12	2	12" Diffuser Vent	\$48
23165	BD-4	1	4" Backdraft Damper	\$12
23166	BD-6	1	6" Backdraft Damper	\$16
23171	BD-8	1.2	8" Backdraft Damper	\$26
23172	BD-10	1.4	10" Backdraft Damper	\$40
23178	BD-12	1.6	12" Backdraft Damper	\$60



Speed Controls



Pressure Switches



Supply & Exhaust Grills

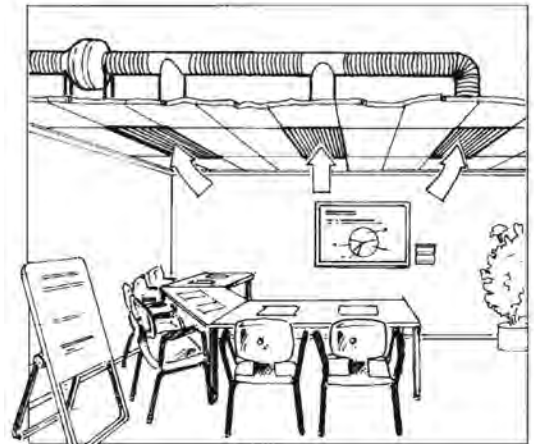


Backdraft Damper



TYPICAL APPLICATIONS

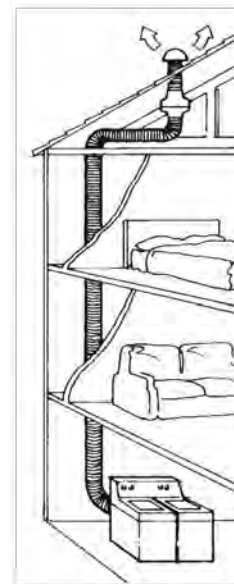
	Residential	Commercial	Industrial
Bathroom Exhaust	X	X	X
Locker Room Exhaust		X	X
Kitchen Exhaust (not over range hood)	X		
Clothes Dryer Exhaust	X	X	
Primary Exhaust Fan	X	X	X
Duct Booster	X	X	X
Warm Air Transfer	X	X	X
General Ventilation	X	X	X
Conference Room Exhaust		X	
Smoke Areas	X	X	X
Cafeteria Exhaust		X	
Humidity & Moisture Removal	X	X	X
Equipment Cooling		X	X
Make Up Air	X	X	X
Welding Fume Removal			X
Spot Ventilation	X	X	X
Booster Fan	X	X	X



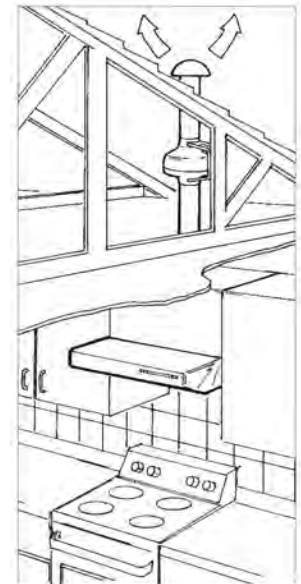
Conference room exhaust ventilation



(In-Line Fan) transferring conditioned air to a new room addition

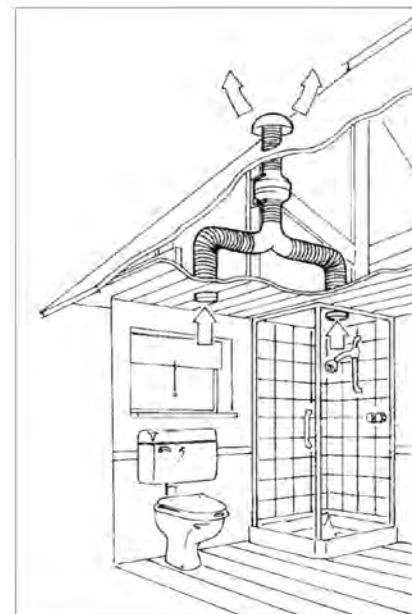


(In-Line) Fan assisted dryer exhaust



(In-Line Fan) rangehood exhaust

FEATURES	BENEFITS
EXTERNAL ROTOR MOTOR	COMPACT DESIGN
BACKWARD CURVE WHEEL	HIGH EFFICIENCY NON-OVERLOADING
DYNAMICALLY BALANCED WHEEL	LOW NOISE AND VIBRATION
DIE CAST ALUMINUM MOTOR BODY	EXCELLENT HEAT DISSIPATION, 100% SPEED CONTROLLABLE, LONG MOTOR LIFE
PERMANENT LUBE BALL BEARINGS	MAINTENANCE FREE/SMOOTH OPERATION
NEMA CLASS B MOTOR INSULATION	INDUSTRIAL QUALITY CONSTRUCTION
THERMAL OVERLOAD MOTOR PROTECTION	SAFETY FEATURE



Multi-ventilating points with one TURBO Fan

Intake Louvers

MODEL LE47 - Fixed FIXED LE47 EDP NUMBER / LIST PRICE - ORDER LE47 (Width x Height)



LE47 INTAKE LOUVER (Fixed Blade)

1 Year Warranty

FEATURES

- Galvanized Aluminum
- Weather Resistant
- Available in Fixed or Adjustable Blades
- Bird Screen Standard
- Extremely Versatile - For Architectural Designs
- Many Options and Colors Available



Choosing the proper size LE47

1. Divide the required CFM by the maximum recommended free area velocity (822 FPM).
2. Select a louver from the free area chart that meets the minimum free area requirements.

EXAMPLE: 6000 CFM air flow

Step #1

Min. Free Area = $\frac{\text{Design CFM}}{\text{Max Recommended Velocity}}$

$$= \frac{6000}{822} = 7.299 \text{ Sq. Ft.}$$

Step #2

From the free area table the approximate louver size is 36" W x 60" H (7.47 Sq. Ft.).

LE47's are special order items. Orders are non-cancellable and non-returnable.

LE47 FREE AREA IN SQUARE FEET

HEIGHT	WIDTH							
	12"	24"	36"	48"	60"	72"	84"	96"
12"	0.29	0.66	1.04	1.41	1.79	2.12	2.49	2.87
24"	0.69	1.59	2.49	3.40	4.30	5.08	5.98	6.88
36"	1.18	2.70	4.22	5.75	7.27	8.61	10.13	11.6
48"	1.68	3.85	6.03	8.21	10.38	12.29	14.47	16.6
60"	2.08	4.77	7.47	10.16	12.85	15.21	17.90	20.6
72"	2.57	5.90	9.24	12.57	15.91	18.82	22.16	25.4
84"	2.97	6.83	10.69	14.55	18.41	21.79	25.65	29.5
96"	3.46	7.94	12.42	16.91	21.39	25.31	29.80	34.2

Free area is the actual open area of the louver, approximately 45% of face area.

EDP Number	Catalog No.	List Price
94322	LE47 Fixed Intake Louver, 12"W X 12"H	\$323
94200	LE47 Fixed Intake Louver, 12"W X 18"H	\$381
94201	LE47 Fixed Intake Louver, 12"W X 24"H	\$441
94202	LE47 Fixed Intake Louver, 12"W X 30"H	\$519
94203	LE47 Fixed Intake Louver, 12"W X 36"H	\$583
94204	LE47 Fixed Intake Louver, 12"W X 42"H	\$694
94205	LE47 Fixed Intake Louver, 12"W X 48"H	\$750
94206	LE47 Fixed Intake Louver, 12"W X 54"H	\$835
94207	LE47 Fixed Intake Louver, 12"W X 60"H	\$885
94208	LE47 Fixed Intake Louver, 12"W X 66"H	\$959
94209	LE47 Fixed Intake Louver, 12"W X 72"H	\$1,020
94210	LE47 Fixed Intake Louver, 12"W X 78"H	\$1,096
94211	LE47 Fixed Intake Louver, 12"W X 84"H	\$1,166
94212	LE47 Fixed Intake Louver, 12"W X 90"H	\$1,222
94213	LE47 Fixed Intake Louver, 12"W X 96"H	\$1,302
94214	LE47 Fixed Intake Louver, 18"W X 12"H	\$372
94318	LE47 Fixed Intake Louver, 18"W X 18"H	\$441
94387	LE47 Fixed Intake Louver, 18"W X 24"H	\$513
94215	LE47 Fixed Intake Louver, 18"W X 30"H	\$642
94216	LE47 Fixed Intake Louver, 18"W X 36"H	\$743
94217	LE47 Fixed Intake Louver, 18"W X 42"H	\$831
94218	LE47 Fixed Intake Louver, 18"W X 48"H	\$890
94219	LE47 Fixed Intake Louver, 18"W X 54"H	\$991
94220	LE47 Fixed Intake Louver, 18"W X 60"H	\$1,055
94221	LE47 Fixed Intake Louver, 18"W X 66"H	\$1,151
94222	LE47 Fixed Intake Louver, 18"W X 72"H	\$1,222
94223	LE47 Fixed Intake Louver, 18"W X 78"H	\$1,302
94224	LE47 Fixed Intake Louver, 18"W X 84"H	\$1,387
94225	LE47 Fixed Intake Louver, 18"W X 90"H	\$1,453
94226	LE47 Fixed Intake Louver, 18"W X 96"H	\$1,554
94296	LE47 Fixed Intake Louver, 24"W X 12"H	\$428
94227	LE47 Fixed Intake Louver, 24"W X 18"H	\$507
94315	LE47 Fixed Intake Louver, 24"W X 24"H	\$633
94228	LE47 Fixed Intake Louver, 24"W X 30"H	\$743
94314	LE47 Fixed Intake Louver, 24"W X 36"H	\$859
94229	LE47 Fixed Intake Louver, 24"W X 42"H	\$964
94313	LE47 Fixed Intake Louver, 24"W X 48"H	\$1,044
94230	LE47 Fixed Intake Louver, 24"W X 54"H	\$1,151
94231	LE47 Fixed Intake Louver, 24"W X 60"H	\$1,227
94232	LE47 Fixed Intake Louver, 24"W X 66"H	\$1,345
94233	LE47 Fixed Intake Louver, 24"W X 72"H	\$1,422
94234	LE47 Fixed Intake Louver, 24"W X 78"H	\$1,528
94235	LE47 Fixed Intake Louver, 24"W X 84"H	\$1,630
94236	LE47 Fixed Intake Louver, 24"W X 90"H	\$1,700
94237	LE47 Fixed Intake Louver, 24"W X 96"H	\$1,826
94238	LE47 Fixed Intake Louver, 30"W X 12"H	\$478
94239	LE47 Fixed Intake Louver, 30"W X 18"H	\$614
94377	LE47 Fixed Intake Louver, 30"W X 24"H	\$719
94312	LE47 Fixed Intake Louver, 30"W X 30"H	\$844
94240	LE47 Fixed Intake Louver, 30"W X 36"H	\$985
94241	LE47 Fixed Intake Louver, 30"W X 42"H	\$1,096
94242	LE47 Fixed Intake Louver, 30"W X 48"H	\$1,181
94243	LE47 Fixed Intake Louver, 30"W X 54"H	\$1,298
94244	LE47 Fixed Intake Louver, 30"W X 60"H	\$1,394
94245	LE47 Fixed Intake Louver, 30"W X 66"H	\$1,535
94246	LE47 Fixed Intake Louver, 30"W X 72"H	\$1,623
94247	LE47 Fixed Intake Louver, 30"W X 78"H	\$1,735
94248	LE47 Fixed Intake Louver, 30"W X 84"H	\$1,846
94249	LE47 Fixed Intake Louver, 30"W X 90"H	\$1,931
94250	LE47 Fixed Intake Louver, 30"W X 96"H	\$2,076
94391	LE47 Fixed Intake Louver, 36"W X 12"H	\$528
94251	LE47 Fixed Intake Louver, 36"W X 18"H	\$694
94349	LE47 Fixed Intake Louver, 36"W X 24"H	\$805
94252	LE47 Fixed Intake Louver, 36"W X 30"H	\$941
94311	LE47 Fixed Intake Louver, 36"W X 36"H	\$1,099
94293	LE47 Fixed Intake Louver, 36"W X 42"H	\$1,217
94310	LE47 Fixed Intake Louver, 36"W X 48"H	\$1,322
94253	LE47 Fixed Intake Louver, 36"W X 54"H	\$1,458
94254	LE47 Fixed Intake Louver, 36"W X 60"H	\$1,558
94255	LE47 Fixed Intake Louver, 36"W X 66"H	\$1,725
94256	LE47 Fixed Intake Louver, 36"W X 72"H	\$1,830
94257	LE47 Fixed Intake Louver, 36"W X 78"H	\$1,950
94259	LE47 Fixed Intake Louver, 36"W X 84"H	\$2,076
94260	LE47 Fixed Intake Louver, 36"W X 90"H	\$2,177
94261	LE47 Fixed Intake Louver, 36"W X 96"H	\$2,343
94262	LE47 Fixed Intake Louver, 42"W X 12"H	\$618
94263	LE47 Fixed Intake Louver, 42"W X 18"H	\$754
94264	LE47 Fixed Intake Louver, 42"W X 24"H	\$880
94266	LE47 Fixed Intake Louver, 42"W X 30"H	\$1,032
94269	LE47 Fixed Intake Louver, 42"W X 36"H	\$1,207
94308	LE47 Fixed Intake Louver, 42"W X 42"H	\$1,345
94270	LE47 Fixed Intake Louver, 42"W X 48"H	\$1,462
94273	LE47 Fixed Intake Louver, 42"W X 54"H	\$1,599
94276	LE47 Fixed Intake Louver, 42"W X 60"H	\$1,713
94278	LE47 Fixed Intake Louver, 42"W X 66"H	\$1,901
94279	LE47 Fixed Intake Louver, 42"W X 72"H	\$2,016
94508	LE47 Fixed Intake Louver, 42"W X 78"H	\$2,153
94509	LE47 Fixed Intake Louver, 42"W X 84"H	\$2,292
94510	LE47 Fixed Intake Louver, 42"W X 90"H	\$2,414
94511	LE47 Fixed Intake Louver, 42"W X 96"H	\$2,594
94512	LE47 Fixed Intake Louver, 48"W X 12"H	\$675
94513	LE47 Fixed Intake Louver, 48"W X 18"H	\$826
94514	LE47 Fixed Intake Louver, 48"W X 24"H	\$970
94515	LE47 Fixed Intake Louver, 48"W X 30"H	\$1,126
94306	LE47 Fixed Intake Louver, 48"W X 36"H	\$1,327
94516	LE47 Fixed Intake Louver, 48"W X 42"H	\$1,489
94304	LE47 Fixed Intake Louver, 48"W X 48"H	\$1,614
94517	LE47 Fixed Intake Louver, 48"W X 54"H	\$1,821
94303	LE47 Fixed Intake Louver, 48"W X 60"H	\$1,901
94518	LE47 Fixed Intake Louver, 48"W X 66"H	\$2,103
94519	LE47 Fixed Intake Louver, 48"W X 72"H	\$2,238
94520	LE47 Fixed Intake Louver, 48"W X 78"H	\$2,392
94521	LE47 Fixed Intake Louver, 48"W X 84"H	\$2,547
94522	LE47 Fixed Intake Louver, 48"W X 90"H	\$2,674
94523	LE47 Fixed Intake Louver, 48"W X 96"H	\$2,885
94524	LE47 Fixed Intake Louver, 54"W X 12"H	\$743
94525	LE47 Fixed Intake Louver, 54"W X 18"H	\$915
94526	LE47 Fixed Intake Louver, 54"W X 24"H	\$1,071
94527	LE47 Fixed Intake Louver, 54"W X 30"H	\$1,245
94528	LE47 Fixed Intake Louver, 54"W X 36"H	\$1,489
94529	LE47 Fixed Intake Louver, 54"W X 42"H	\$1,655
94530	LE47 Fixed Intake Louver, 54"W X 48"H	\$1,804
94289	LE47 Fixed Intake Louver, 54"W X 54"H	\$2,032
94538	LE47 Fixed Intake Louver, 54"W X 60"H	\$2,186
94539	LE47 Fixed Intake Louver, 54"W X 66"H	\$2,426
94540	LE47 Fixed Intake Louver, 54"W X 72"H	\$2,579



Intake Louvers

EDP Number	Catalog No.	List Price
94541	LE47 Fixed Intake Louver, 54"W X 78"H	\$2,757
94542	LE47 Fixed Intake Louver, 54"W X 84"H	\$2,926
94543	LE47 Fixed Intake Louver, 54"W X 90"H	\$3,066
94544	LE47 Fixed Intake Louver, 54"W X 96"H	\$3,313
94545	LE47 Fixed Intake Louver, 60"W X 12"H	\$798
94546	LE47 Fixed Intake Louver, 60"W X 18"H	\$985
94547	LE47 Fixed Intake Louver, 60"W X 24"H	\$1,151
94548	LE47 Fixed Intake Louver, 60"W X 30"H	\$1,355
94549	LE47 Fixed Intake Louver, 60"W X 36"H	\$1,603
94550	LE47 Fixed Intake Louver, 60"W X 42"H	\$1,790
94551	LE47 Fixed Intake Louver, 60"W X 48"H	\$1,947
94552	LE47 Fixed Intake Louver, 60"W X 54"H	\$2,192
94553	LE47 Fixed Intake Louver, 60"W X 60"H	\$2,359
94554	LE47 Fixed Intake Louver, 60"W X 66"H	\$2,620
94555	LE47 Fixed Intake Louver, 60"W X 72"H	\$2,784
94556	LE47 Fixed Intake Louver, 60"W X 78"H	\$2,973
94557	LE47 Fixed Intake Louver, 60"W X 84"H	\$3,159
94558	LE47 Fixed Intake Louver, 60"W X 90"H	\$3,313
94559	LE47 Fixed Intake Louver, 60"W X 96"H	\$3,579
94560	LE47 Fixed Intake Louver, 66"W X 12"H	\$931
94561	LE47 Fixed Intake Louver, 66"W X 18"H	\$1,156
94562	LE47 Fixed Intake Louver, 66"W X 24"H	\$1,345
94563	LE47 Fixed Intake Louver, 66"W X 30"H	\$1,567
94564	LE47 Fixed Intake Louver, 66"W X 36"H	\$1,866
94565	LE47 Fixed Intake Louver, 66"W X 42"H	\$2,071
94566	LE47 Fixed Intake Louver, 66"W X 48"H	\$2,262
94567	LE47 Fixed Intake Louver, 66"W X 54"H	\$2,490
94568	LE47 Fixed Intake Louver, 66"W X 60"H	\$2,680
94569	LE47 Fixed Intake Louver, 66"W X 66"H	\$2,975
94570	LE47 Fixed Intake Louver, 66"W X 72"H	\$3,159
94571	LE47 Fixed Intake Louver, 66"W X 78"H	\$3,359
94572	LE47 Fixed Intake Louver, 66"W X 84"H	\$3,564
94573	LE47 Fixed Intake Louver, 66"W X 90"H	\$3,740
94574	LE47 Fixed Intake Louver, 66"W X 96"H	\$4,038
94575	LE47 Fixed Intake Louver, 72"W X 12"H	\$980
94576	LE47 Fixed Intake Louver, 72"W X 18"H	\$1,217
94577	LE47 Fixed Intake Louver, 72"W X 24"H	\$1,419
94578	LE47 Fixed Intake Louver, 72"W X 30"H	\$1,655
94579	LE47 Fixed Intake Louver, 72"W X 36"H	\$1,976
94580	LE47 Fixed Intake Louver, 72"W X 42"H	\$2,193
94284	LE47 Fixed Intake Louver, 72"W X 48"H	\$2,398
94581	LE47 Fixed Intake Louver, 72"W X 54"H	\$2,640
94582	LE47 Fixed Intake Louver, 72"W X 60"H	\$2,839
94583	LE47 Fixed Intake Louver, 72"W X 66"H	\$3,159
94584	LE47 Fixed Intake Louver, 72"W X 72"H	\$3,361
94585	LE47 Fixed Intake Louver, 72"W X 78"H	\$3,569
94586	LE47 Fixed Intake Louver, 72"W X 84"H	\$3,779
94587	LE47 Fixed Intake Louver, 72"W X 90"H	\$3,975
94588	LE47 Fixed Intake Louver, 72"W X 96"H	\$4,294
94589	LE47 Fixed Intake Louver, 78"W X 12"H	\$1,042
94590	LE47 Fixed Intake Louver, 78"W X 18"H	\$1,287
94591	LE47 Fixed Intake Louver, 78"W X 24"H	\$1,493
94592	LE47 Fixed Intake Louver, 78"W X 30"H	\$1,747
94593	LE47 Fixed Intake Louver, 78"W X 36"H	\$2,087
94594	LE47 Fixed Intake Louver, 78"W X 42"H	\$2,313
94595	LE47 Fixed Intake Louver, 78"W X 48"H	\$2,534
94596	LE47 Fixed Intake Louver, 78"W X 54"H	\$2,791
94597	LE47 Fixed Intake Louver, 78"W X 60"H	\$3,006

94598	LE47 Fixed Intake Louver, 78"W X 66"H	\$3,349
94599	LE47 Fixed Intake Louver, 78"W X 72"H	\$3,562
94600	LE47 Fixed Intake Louver, 78"W X 78"H	\$3,786
94601	LE47 Fixed Intake Louver, 78"W X 84"H	\$3,997
94602	LE47 Fixed Intake Louver, 78"W X 90"H	\$4,208
94603	LE47 Fixed Intake Louver, 78"W X 96"H	\$4,547
94604	LE47 Fixed Intake Louver, 84"W X 12"H	\$1,090
94605	LE47 Fixed Intake Louver, 84"W X 18"H	\$1,347
94606	LE47 Fixed Intake Louver, 84"W X 24"H	\$1,578
94607	LE47 Fixed Intake Louver, 84"W X 30"H	\$1,840
94608	LE47 Fixed Intake Louver, 84"W X 36"H	\$2,203
94609	LE47 Fixed Intake Louver, 84"W X 42"H	\$2,444
94610	LE47 Fixed Intake Louver, 84"W X 48"H	\$2,671
94611	LE47 Fixed Intake Louver, 84"W X 54"H	\$2,948
94612	LE47 Fixed Intake Louver, 84"W X 60"H	\$3,176
94613	LE47 Fixed Intake Louver, 84"W X 66"H	\$3,540
94614	LE47 Fixed Intake Louver, 84"W X 72"H	\$3,762
94615	LE47 Fixed Intake Louver, 84"W X 78"H	\$4,007
94616	LE47 Fixed Intake Louver, 84"W X 84"H	\$4,278
94617	LE47 Fixed Intake Louver, 84"W X 90"H	\$4,520
94618	LE47 Fixed Intake Louver, 84"W X 96"H	\$4,887
94619	LE47 Fixed Intake Louver, 90"W X 12"H	\$1,151
94620	LE47 Fixed Intake Louver, 90"W X 18"H	\$1,412
94621	LE47 Fixed Intake Louver, 90"W X 24"H	\$1,655
94622	LE47 Fixed Intake Louver, 90"W X 30"H	\$1,925
94623	LE47 Fixed Intake Louver, 90"W X 36"H	\$2,313
94624	LE47 Fixed Intake Louver, 90"W X 42"H	\$2,562
94634	LE47 Fixed Intake Louver, 90"W X 48"H	\$2,799
94635	LE47 Fixed Intake Louver, 90"W X 54"H	\$3,093
94636	LE47 Fixed Intake Louver, 90"W X 60"H	\$3,334
94637	LE47 Fixed Intake Louver, 90"W X 66"H	\$3,720
94638	LE47 Fixed Intake Louver, 90"W X 72"H	\$3,953
94639	LE47 Fixed Intake Louver, 90"W X 78"H	\$4,223
94640	LE47 Fixed Intake Louver, 90"W X 84"H	\$4,510
94641	LE47 Fixed Intake Louver, 90"W X 90"H	\$4,746
94642	LE47 Fixed Intake Louver, 90"W X 96"H	\$5,134
94643	LE47 Fixed Intake Louver, 96"W X 12"H	\$1,201
94644	LE47 Fixed Intake Louver, 96"W X 18"H	\$1,473
94645	LE47 Fixed Intake Louver, 96"W X 24"H	\$1,729
94646	LE47 Fixed Intake Louver, 96"W X 30"H	\$2,016
94647	LE47 Fixed Intake Louver, 96"W X 36"H	\$2,418
94648	LE47 Fixed Intake Louver, 96"W X 42"H	\$2,710
94649	LE47 Fixed Intake Louver, 96"W X 48"H	\$2,963
94650	LE47 Fixed Intake Louver, 96"W X 54"H	\$3,242
94651	LE47 Fixed Intake Louver, 96"W X 60"H	\$3,499
94652	LE47 Fixed Intake Louver, 96"W X 66"H	\$3,917
94653	LE47 Fixed Intake Louver, 96"W X 72"H	\$3,009
94654	LE47 Fixed Intake Louver, 96"W X 78"H	\$4,433
94655	LE47 Fixed Intake Louver, 96"W X 84"H	\$4,732
94656	LE47 Fixed Intake Louver, 96"W X 90"H	\$4,981
94660	LE47 Fixed Intake Louver, 96"W X 96"H	\$5,394

Add 10% for Angle (Flanged) Frames. Add \$21.67 per foot of width for Sill Extensions.

‡Available LouverGard colors:	
Bone White	Santa Fe Red
Parchment Yellow	Slate Gray
Citation Gold	Brick Red
Sierra White	Medium Bronze
Alamo Tan	Dark Bronze
Squirrel Brown	Coal Black
IBM Blue	Charcoal Black
Dove Gray	Sandstone
Hartford Green	Buckskin
Aged Copper	Terra Cotta
LouverGard is a durable gloss baked enamel for use in protecting interior and exterior metal surfaces. It is formulated to withstand the rigors of weathering and corrosion.	

OPTIONS FOR LE47 & LE47A

FINISHES FOR LE47 & LE47A LOUVERS	
FINISH	APPLY APPROPRIATE MULTIPLIER BELOW TO LIST PRICE For Models LE47 or LE47A
Prime or Clear Lacquer	1.20
LouverGard Std. Colors‡	1.30
Kynar™ Standard Colors (70% Kynar)	1.55
Anodize 204-R1 Etch & Clear .7 Mils	1.40
Anodize 215-R1 Etch & Clear .7 Mils	1.55
Anodize Light, Med. Dk. Bronze or Black, .7 Mils	1.75

NOTES: Width and Height are wall opening sizes. Louvers are made 1/2" under size.

OPTIONAL LOUVER SCREENS	LIST /SQ. FT.
1/2" .063 aluminum screen	\$4.43
1/2" .047 aluminum screen	\$12.76
1/4" .047 aluminum screen	\$26.73
1/2" .041 galvanized screen	No Add
1/2" .063 galvanized screen	\$4.80
1/4" .041 galvanized screen	\$19.83
1/2" .047 stainless steel (304) screen	\$15.41
1/2" .063 stainless steel (304) screen	\$20.72
Aluminum insect screen	\$5.49
Galvanized insect screen	\$5.49
Stainless steel insect screen	\$8.86
No screen DEDUCT	\$5.47

The standard screen included in the base price of all LE47 & LE47A louvers is 1/2" .051 expanded

Intake Louvers

MODEL LE47A - Adjustable



LE47A INTAKE LOUVERS
(Adjustable Louver)
Shown with optional motor

1 Year Warranty

FEATURES

- Galvanized Aluminum
- Weather Resistant
- Available in Fixed or Adjustable Blades
- Bird Screen Standard
- Extremely Versatile - For Architectural Designs
- Many Options and Colors Available



Choosing the proper size LE47A

1. Divide the required CFM by the maximum recommended free area velocity (740 FPM).
2. Select a louver from the free area chart that meets the minimum free area requirements.

EXAMPLE: 6000 CFM air flow

Step #1

$$\begin{aligned} \text{Min. Free Area} &= \frac{\text{Design CFM}}{\text{Max Recommended Velocity}} \\ &= \frac{6000}{740} = 8.108 \text{ Sq. Ft.} \end{aligned}$$

Step #2

From the free area table the approximate louver size is 36" W x 72" H (8.49 Sq. Ft.).

Free area is the actual open area of the louver, approximately 45% of face area.

LE47A FREE AREA IN SQUARE FEET

HEIGHT	WIDTH				
	12"	24"	36"	48"	60"
12"	0.20	0.45	0.71	0.96	1.22
24"	0.59	1.35	2.11	2.87	3.63
36"	1.11	2.56	4.01	5.45	6.90
48"	1.56	3.57	5.59	7.01	9.05
60"	1.97	4.53	7.08	9.64	12.20
72"	2.36	5.43	8.49	11.55	14.62
84"	2.74	6.30	9.86	13.41	16.97
96"	3.31	7.61	11.91	16.20	20.50

LE47A's are special order items. Orders are non-cancellable and non-returnable.

ADJUSTABLE LE47A EDP NUMBER / LIST PRICE - ORDER LE47A (Width x Height)

EDP Number	Catalog No.	Blades	List Price
94366	LE47A Adjustable Intake Louver, 12"W X 12"H	1	\$439
94361	LE47A Adjustable Intake Louver, 12"W X 18"H	2	\$550
94365	LE47A Adjustable Intake Louver, 12"W X 24"H	3	\$651
94367	LE47A Adjustable Intake Louver, 12"W X 30"H	4	\$763
94364	LE47A Adjustable Intake Louver, 12"W X 36"H	5	\$859
94368	LE47A Adjustable Intake Louver, 12"W X 42"H	6	\$1,020

94369	LE47A Adjustable Intake Louver, 12"W X 48"H	8	\$1,166
94370	LE47A Adjustable Intake Louver, 12"W X 54"H	9	\$1,292
94378	LE47A Adjustable Intake Louver, 12"W X 60"H	10	\$1,375
94379	LE47A Adjustable Intake Louver, 12"W X 66"H	11	\$1,484
94380	LE47A Adjustable Intake Louver, 12"W X 72"H	12	\$1,578
94381	LE47A Adjustable Intake Louver, 12"W X 78"H	13	\$1,703
94382	LE47A Adjustable Intake Louver, 12"W X 84"H	14	\$1,821
94383	LE47A Adjustable Intake Louver, 12"W X 90"H	16	\$1,965
94385	LE47A Adjustable Intake Louver, 12"W X 96"H	17	\$2,067
94413	LE47A Adjustable Intake Louver, 18"W X 12"H	1	\$487
94363	LE47A Adjustable Intake Louver, 18"W X 18"H	2	\$614
94388	LE47A Adjustable Intake Louver, 18"W X 24"H	3	\$723
94375	LE47A Adjustable Intake Louver, 18"W X 30"H	4	\$899
94353	LE47A Adjustable Intake Louver, 18"W X 36"H	5	\$1,027
94390	LE47A Adjustable Intake Louver, 18"W X 42"H	6	\$1,156
94399	LE47A Adjustable Intake Louver, 18"W X 48"H	8	\$1,311
94400	LE47A Adjustable Intake Louver, 18"W X 54"H	9	\$1,453
94403	LE47A Adjustable Intake Louver, 18"W X 60"H	10	\$1,563
94404	LE47A Adjustable Intake Louver, 18"W X 66"H	11	\$1,674
94405	LE47A Adjustable Intake Louver, 18"W X 72"H	12	\$1,779
94406	LE47A Adjustable Intake Louver, 18"W X 78"H	13	\$1,916
94411	LE47A Adjustable Intake Louver, 18"W X 84"H	14	\$2,049
94421	LE47A Adjustable Intake Louver, 18"W X 90"H	16	\$2,207
94422	LE47A Adjustable Intake Louver, 18"W X 96"H	17	\$2,323
94423	LE47A Adjustable Intake Louver, 24"W X 12"H	1	\$541
94356	LE47A Adjustable Intake Louver, 24"W X 18"H	2	\$689
94355	LE47A Adjustable Intake Louver, 24"W X 24"H	3	\$859
94354	LE47A Adjustable Intake Louver, 24"W X 30"H	4	\$1,009
94394	LE47A Adjustable Intake Louver, 24"W X 36"H	5	\$1,151
94424	LE47A Adjustable Intake Louver, 24"W X 42"H	6	\$1,302
94425	LE47A Adjustable Intake Louver, 24"W X 48"H	8	\$1,484
94426	LE47A Adjustable Intake Louver, 24"W X 54"H	9	\$1,630
94427	LE47A Adjustable Intake Louver, 24"W X 60"H	10	\$1,750
94428	LE47A Adjustable Intake Louver, 24"W X 66"H	11	\$1,869
94429	LE47A Adjustable Intake Louver, 24"W X 72"H	12	\$1,990
94430	LE47A Adjustable Intake Louver, 24"W X 78"H	13	\$2,161
94431	LE47A Adjustable Intake Louver, 24"W X 84"H	14	\$2,303
94432	LE47A Adjustable Intake Louver, 24"W X 90"H	16	\$2,479
94433	LE47A Adjustable Intake Louver, 24"W X 96"H	17	\$2,604
94434	LE47A Adjustable Intake Louver, 30"W X 12"H	1	\$599
94435	LE47A Adjustable Intake Louver, 30"W X 18"H	2	\$798
94351	LE47A Adjustable Intake Louver, 30"W X 24"H	3	\$952
94350	LE47A Adjustable Intake Louver, 30"W X 30"H	4	\$1,121
94401	LE47A Adjustable Intake Louver, 30"W X 36"H	5	\$1,277
94436	LE47A Adjustable Intake Louver, 30"W X 42"H	6	\$1,434
94437	LE47A Adjustable Intake Louver, 30"W X 48"H	8	\$1,630
94438	LE47A Adjustable Intake Louver, 30"W X 54"H	9	\$1,790
94439	LE47A Adjustable Intake Louver, 30"W X 60"H	10	\$1,925
94440	LE47A Adjustable Intake Louver, 30"W X 66"H	11	\$2,061
94441	LE47A Adjustable Intake Louver, 30"W X 72"H	12	\$2,197
94442	LE47A Adjustable Intake Louver, 30"W X 78"H	13	\$2,379
94443	LE47A Adjustable Intake Louver, 30"W X 84"H	14	\$2,534
94445	LE47A Adjustable Intake Louver, 30"W X 90"H	16	\$2,720
94446	LE47A Adjustable Intake Louver, 30"W X 96"H	17	\$2,864
94447	LE47A Adjustable Intake Louver, 36"W X 12"H	1	\$653
94347	LE47A Adjustable Intake Louver, 36"W X 18"H	2	\$890
94392	LE47A Adjustable Intake Louver, 36"W X 24"H	3	\$1,044
94346	LE47A Adjustable Intake Louver, 36"W X 30"H	4	\$1,232
94344	LE47A Adjustable Intake Louver, 36"W X 36"H	5	\$1,409
94448	LE47A Adjustable Intake Louver, 36"W X 42"H	6	\$1,572



Intake Louvers

94343	LE47A Adjustable Intake Louver, 36"W X 48"H	8	\$1,793
94449	LE47A Adjustable Intake Louver, 36"W X 54"H	9	\$1,976
94342	LE47A Adjustable Intake Louver, 36"W X 60"H	10	\$2,121
94450	LE47A Adjustable Intake Louver, 36"W X 66"H	11	\$2,271
94345	LE47A Adjustable Intake Louver, 36"W X 72"H	12	\$2,426
94451	LE47A Adjustable Intake Louver, 36"W X 78"H	13	\$2,625
94452	LE47A Adjustable Intake Louver, 36"W X 84"H	14	\$2,794
94453	LE47A Adjustable Intake Louver, 36"W X 90"H	16	\$3,006
94454	LE47A Adjustable Intake Louver, 36"W X 96"H	17	\$3,161
94455	LE47A Adjustable Intake Louver, 42"W X 12"H	1	\$750
94415	LE47A Adjustable Intake Louver, 42"W X 18"H	2	\$959
94456	LE47A Adjustable Intake Louver, 42"W X 24"H	3	\$1,133
94340	LE47A Adjustable Intake Louver, 42"W X 30"H	4	\$1,327
94457	LE47A Adjustable Intake Louver, 42"W X 36"H	5	\$1,519
94339	LE47A Adjustable Intake Louver, 42"W X 42"H	6	\$1,700
94458	LE47A Adjustable Intake Louver, 42"W X 48"H	8	\$1,941
94459	LE47A Adjustable Intake Louver, 42"W X 54"H	9	\$2,127
94460	LE47A Adjustable Intake Louver, 42"W X 60"H	10	\$2,292
94461	LE47A Adjustable Intake Louver, 42"W X 66"H	11	\$2,446
94462	LE47A Adjustable Intake Louver, 42"W X 72"H	12	\$2,616
94463	LE47A Adjustable Intake Louver, 42"W X 78"H	13	\$2,831
94464	LE47A Adjustable Intake Louver, 42"W X 84"H	14	\$3,018
94465	LE47A Adjustable Intake Louver, 42"W X 90"H	16	\$3,258
94466	LE47A Adjustable Intake Louver, 42"W X 96"H	17	\$3,419
94467	LE47A Adjustable Intake Louver, 48"W X 12"H	1	\$809
94468	LE47A Adjustable Intake Louver, 48"W X 18"H	2	\$1,032
94395	LE47A Adjustable Intake Louver, 48"W X 24"H	3	\$1,227
94402	LE47A Adjustable Intake Louver, 48"W X 30"H	4	\$1,434
94338	LE47A Adjustable Intake Louver, 48"W X 36"H	5	\$1,646
94469	LE47A Adjustable Intake Louver, 48"W X 42"H	6	\$1,851
94336	LE47A Adjustable Intake Louver, 48"W X 48"H	8	\$2,103
94470	LE47A Adjustable Intake Louver, 48"W X 54"H	9	\$2,308
94335	LE47A Adjustable Intake Louver, 48"W X 60"H	10	\$2,483
94474	LE47A Adjustable Intake Louver, 48"W X 66"H	11	\$2,662
94334	LE47A Adjustable Intake Louver, 48"W X 72"H	12	\$2,836
94478	LE47A Adjustable Intake Louver, 48"W X 78"H	13	\$3,082
94479	LE47A Adjustable Intake Louver, 48"W X 84"H	14	\$3,283
94480	LE47A Adjustable Intake Louver, 48"W X 90"H	16	\$3,535
94481	LE47A Adjustable Intake Louver, 48"W X 96"H	17	\$3,715
94482	LE47A Adjustable Intake Louver, 54"W X 12"H	1	\$941
94483	LE47A Adjustable Intake Louver, 54"W X 18"H	2	\$1,217
94484	LE47A Adjustable Intake Louver, 54"W X 24"H	3	\$1,427
94485	LE47A Adjustable Intake Louver, 54"W X 30"H	4	\$1,658
94486	LE47A Adjustable Intake Louver, 54"W X 36"H	5	\$1,911
94487	LE47A Adjustable Intake Louver, 54"W X 42"H	6	\$2,137
94488	LE47A Adjustable Intake Louver, 54"W X 48"H	8	\$2,434
94331	LE47A Adjustable Intake Louver, 54"W X 54"H	9	\$2,720
94489	LE47A Adjustable Intake Louver, 54"W X 60"H	10	\$2,931
94490	LE47A Adjustable Intake Louver, 54"W X 66"H	11	\$3,137
94491	LE47A Adjustable Intake Louver, 54"W X 72"H	12	\$3,343
94494	LE47A Adjustable Intake Louver, 54"W X 78"H	13	\$3,619
94495	LE47A Adjustable Intake Louver, 54"W X 84"H	14	\$3,846
94496	LE47A Adjustable Intake Louver, 54"W X 90"H	16	\$4,144
94497	LE47A Adjustable Intake Louver, 54"W X 96"H	17	\$4,355
94498	LE47A Adjustable Intake Louver, 60"W X 12"H	1	\$995
94499	LE47A Adjustable Intake Louver, 60"W X 18"H	2	\$1,292
94500	LE47A Adjustable Intake Louver, 60"W X 24"H	3	\$1,513
94501	LE47A Adjustable Intake Louver, 60"W X 30"H	4	\$1,768
94502	LE47A Adjustable Intake Louver, 60"W X 36"H	5	\$2,032
94329	LE47A Adjustable Intake Louver, 60"W X 42"H	6	\$2,271

94330	LE47A Adjustable Intake Louver, 60"W X 48"H	8	\$2,589
94503	LE47A Adjustable Intake Louver, 60"W X 54"H	9	\$2,885
94328	LE47A Adjustable Intake Louver, 60"W X 60"H	10	\$3,112
94504	LE47A Adjustable Intake Louver, 60"W X 66"H	11	\$3,334
94396	LE47A Adjustable Intake Louver, 60"W X 72"H	12	\$3,553
94505	LE47A Adjustable Intake Louver, 60"W X 78"H	13	\$3,853
94506	LE47A Adjustable Intake Louver, 60"W X 84"H	14	\$4,092
94507	LE47A Adjustable Intake Louver, 60"W X 90"H	16	\$4,405
94393	LE47A Adjustable Intake Louver, 60"W X 96"H	17	\$4,631

Add 10% for Angle (Flanged) Frames. Add \$21.67 per foot of width for Sill Extensions.



Optional Flange Frame



Standard Channel Frame

NOTES:

LE47A Only - Jackshifting to use a single panel actuator on multi-panel louvers - \$2.16 per inch of width. Width and Height are wall opening sizes. Louvers are made 1/2" under size.

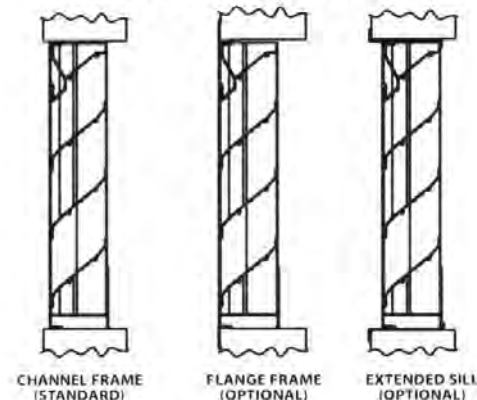
Motorized Or Chain Pull Actuators Louvers

FOR MOTORIZED OR CHAIN PULL ACTUATOR LOUVERS, ORDER LE47A AND MOTOR OR CHAIN PULL ACTUATOR

EDP Number	Catalog No.	Actuator Model Number	Voltage	Description	List Price
81642	BCMA-405	BCMA-405	115V	115V Actuator	\$1,462
81640	BCMA-305	BCMA-305	24V	24V Actuator	\$1,599
81639	BCMA-419	BCMA-419	230V	230V Actuator	\$2,421
81637	MA6-405	MA6-405	115V	115V Hazardous Location Actuator with Explosion Proof Motor & Linkage (no mtg. brackets included)	\$7,299
81645	Chain Actuator	Chain Actuator	-	Plated Steel Spring, 5' Chain, Wall Claw	\$230
81636	Panel Crank	Panel Crank	-	Manual Hand Crank	\$617

SELECT, SPECIFY AND ORDER LE47 (MANUAL) AND LE47A (MOTORIZED OR CHAIN PULL ACTUATOR) "WIDTH x HEIGHT". Transformer for 3 phase available.

LE47 and LE47A



CHANNEL FRAME (STANDARD)

FLANGE FRAME (OPTIONAL)

EXTENDED SILL (OPTIONAL)



Motor Accessories

Motor Controls - Disconnect Switches & Thermostats

Thermostats

EDP Number	Catalog No.	Description	List Price
89576*	XRA-4	Thermostat (Wall Mt.) 60° to 100° F. range	\$143
24820	T-1	Temp. Switch (Wall Mt.) 45° to 85° range	\$266
90783	TS631	Temp. Switch (Attic Mt.) 70° to 140° range	\$252

*Single Phase for use up to 3/4HP

Disconnect Switches

Disconnect Switch Only (Unmounted)

EDP Number	Catalog No.	Max HP	Voltage/ Phase	List Price
32698	Switch	1 1/2	115/1/60	\$34
32699	Switch	2	230/1/60	\$139
32699	Switch	2	230/3/60	\$139
32699	Switch	2	460/3/60	\$139

NOTE: Two speed motors require two disconnect switches.

Choose switches from list above based on electrical and HP ratings of fan.

Not available factory mounted.

H-1 - Humidistat

EDP Number	Catalog No.	List Price
24880	H-1	\$313

20% to 80% RH range

Motor Controls - Manual Motor Starters

Two Speed Manual Motor Starter Without Provision For Overload Protector

EDP Number	Catalog No.	Max HP	Voltage/ Phase	List Price
85388	Switch	3/4	115/1/60	\$49

Motor Conversion Kits

Exhaust Motor Kits†

For Motorized Wall Shutters Add Motor Kit From List Below not approved for Hazardous Locations

EDP Number	Catalog No.	Description	List Price
22982	MTR-556 SP	120/240 Volt, for 10 in sq - 32 in sq exh shutters	\$397
22983	MTR-556 DP	120/240 Volt, for 36 in sq - 48 in sq exh shutters	\$675
22984	MTR-885 DP	120/240 Volt, for 56 in sq - 62 in sq exh shutters	\$397

Please specify voltage needed when ordering, Units are for single phase operation.

† See Page 56 for EASR / WC selection and installation information and cautions.

See Page 53 for WRHD Heavy Duty Shutter information.

Supply Motor Kits†

EDP Number	Catalog No.	Description	List Price
22900	MK5047-B	120/240 Volt, for 9" - 36" supply shutters	\$397
22905	MK5047-C	440 Volt, for 9" - 36" supply shutters	\$364
22908	MK5047-E	550 Volt, for 9" - 36" supply shutters	\$364
22910	MK-4782-F	120/240 Volt, for 42" - 48" supply shutters	\$637
22915	MK-4782-C	440 Volt, for 42" - 48" supply shutters	\$637
22918	MK-4782-E	550 Volt, for 42" - 48" supply shutters	\$612
22900	MK5047-B	120/240 Volt, for 54" - 60" supply shutters**	\$397
22905	MK5047-C	440 Volt, for 54" - 60" supply shutters**	\$364
22908	MK5047-E	550 Volt, for 54" - 60" supply shutters**	\$364

Please specify voltage needed when ordering, All units are for single phase operation.

** 54" requires 2 Motor Kits (MK-5047) and 60" requires (1) one MK-5047 plus (1) one MK-4782 motor kits.

† See Page 56 for EASR-MF / WC selection and installation information and cautions.

NOTE: Shutter Motor Kits are "power open - spring close." The power opens the shutter and holds it open until the power is turned off, then a spring on the motor closes the shutter.

Manual Chain Operators For EASR Exhaust Shutters

EDP Number	Catalog No.	Description	List Price
80111	Manual Chain Operator	For EASR-MF 10" - 38" 1 Panel Shutter	\$206
80112	Manual Chain Operator	For EASR-MF 44" - 54" 2 Panel Shutter	\$468



Table Of Contents - Part Number Index

EDP Number	Catalog Number	List Price	Page	EDP Number	Catalog Number	List Price	Page
0							
01515	DCD	\$ 66	24	12191	DJ-DCS	\$ 156	24
01518	DJ-CAP-HE	\$ 20	23	12192	DJ-CRP	\$ 37	23
01600	Capacitor	\$ 11	13, 17	12200K	DJ-PF20-2SPH	\$ 927	21
01633	CORD	\$ 38	10, 24	12201K	DJ-PF20-2SPH-DC	\$ 989	22
01683	Capacitor	\$ 11	13, 17	12202K	DJ-AKF20-2SPH	\$ 709	21
01723	Switch	\$ 19	10, 14, 23, 24	12203K	DJ-AKF20-2SPH-DC	\$ 773	22
01750	Guard Pin	\$ 13	23	12204K	DJ-WMF20-2SPH	\$ 784	21
01754	GUARD-SAFETY PIN	\$ 17	24	12205K	DJ-WMF20-2SPH-DC	\$ 846	22
03033	Cord Lock	\$ 7	23	12206K	DJ-CMF20-2SPH	\$ 757	21
03915	End Dome	\$ 86	9	12207K	DJ-CMF20-2SPH-DC	\$ 819	22
05242	EMC42D	\$ 205	31	12208K	DJ-CCM20-2SPH	\$ 820	21
06004	End Dome	\$ 66	9	12209K	DJ-CCM20-2SPH-DC	\$ 885	22
06883	WS10	\$ 257	41	12210K	DJ-BMF20-2SPH	\$ 796	21
06884	WS12	\$ 277	41, 42, 48	12211K	DJ-BMF20-2SPH-DC	\$ 858	22
06885	WS16E	\$ 316	41	12212	DJ-20HGB	\$ 276	23
06886	WS18E	\$ 365	41, 42, 48	12219	DJ-HSP20	\$ 13	23
06887	WS24	\$ 362	42, 44, 48, 51, 54	12251	DJMMS-HE	\$ 86	23
06888	WS30	\$ 546	44, 48, 51, 54	12553	DJ24 Head Assy.	\$ 733	22
06889	WS36	\$ 581	44, 48, 51, 54	12554	DJ30 Head Assy.	\$ 752	22
06890	WS42	\$ 671	48, 51, 54	2			
06891	WS48	\$ 776	48, 51, 54	20115	M24GBA	\$ 798	4
06892	WS54	\$ 1,276	54	20301	24LF16X	\$ 1,624	7
06893	WS60	\$ 1,604	54	20321	24LW16X8	\$ 1,471	7
06894	WS18	\$ 342	42, 44, 48	20331	24LS16X	\$ 1,435	7
08380	---	\$ 160	29	20341	24LI16X	\$ 1,547	7
08381	---	\$ 176	29	20351	30LF16X	\$ 1,703	7
08382	---	\$ 198	29	20371	30LW16X8	\$ 1,550	7
08383	---	\$ 224	29	20381	30LS16X	\$ 1,513	7
1							
10101K	DJ-AKF24-2SPH	\$ 732	21	20391	30LI16X	\$ 1,627	7
10151K	DJ-AKF30-2SPH	\$ 751	21	20450K	24LF36X	\$ 1,850	7
10203K	DJ-CCM24-2SPH	\$ 843	21	20470K	24LW36X8	\$ 1,696	7
10204K	DJ-BMF24-2SPH	\$ 817	21	20480K	24LS36X	\$ 1,661	7
10253K	DJ-CCM30-2SPH	\$ 860	21	20490K	24LI36X	\$ 1,776	7
10254K	DJ-BMF30-2SPH	\$ 838	21	20500K	30LF36X	\$ 1,930	7
10301K	DJ-CMF24-2SPH	\$ 780	21	20520K	30LW36X8	\$ 1,777	7
10351K	DJ-CMF30-2SPH	\$ 781	21	20530K	30LS36X	\$ 1,741	7
10401K	DJ-WMF24-2SPH	\$ 804	21	20540K	30LI36X	\$ 1,854	7
10451K	DJ-WMF30-2SPH	\$ 822	21	20600K	24LF36	\$ 1,453	6
10501K	DJ-PF24-2SPH	\$ 945	21	20620K	24LW368	\$ 1,301	6
10551K	DJ-PF30-2SPH	\$ 964	21	20630K	24LS36	\$ 1,267	6
10731K	DJ-PF24-2SPH-DC	\$ 1,008	22	20640K	24LI36	\$ 1,381	6
10732K	DJ-PF30-2SPH-DC	\$ 1,030	22	20650K	30LF36	\$ 1,535	6
10733K	DJ-AKF24-2SPH-DC	\$ 793	22	20670K	30LW368	\$ 1,381	6
10734K	DJ-AKF30-2SPH-DC	\$ 814	22	20680K	30LS36	\$ 1,346	6
10735K	DJ-CCM24-2SPH-DC	\$ 906	22	20690K	30LI36	\$ 1,459	6
10736K	DJ-CCM30-2SPH-DC	\$ 927	22	20750K	24HF36	\$ 1,578	8
10737K	DJ-BMF30-2SPH-DC	\$ 898	22	20770K	24HW36	\$ 1,424	8
10738K	DJ-CMF24-2SPH-DC	\$ 842	22	20780K	24HS36	\$ 1,389	8
10739K	DJ-CMF30-2SPH-DC	\$ 858	22	20790K	24HI36	\$ 1,503	8
10740K	DJ-WMF24-2SPH-DC	\$ 868	22	20840	30HF36	\$ 1,658	8
10741K	DJ-WMF30-2SPH-DC	\$ 889	22	20860	30HW36	\$ 1,503	8
10750K	DJ-BMF24-2SPH-DC	\$ 882	22	20870	30HS36	\$ 1,468	8
11010	DJ-HSP	\$ 17	23	20880	30HI36	\$ 1,583	8
11031	DJ-110V-HEM	\$ 435	23	20885	UP24BN-S	\$ 1,519	5
11070	DJ-30HGB	\$ 317	23	20890	UP30BN-S	\$ 1,600	5
11080	DJ-24HGB	\$ 298	23	20892	UP18LF16-S	\$ 723	4
11453	DJ-CCM	\$ 159	23	20893	UP20LF6-S	\$ 750	4
11454	DJ-AK	\$ 50	23	20894	UP18BN-S	\$ 956	5
11456	DJ-CM	\$ 95	13, 17, 23	20895	UP24LF16-S	\$ 983	4
11710	DJ-PB	\$ 160	23	20898	UP20BN-S	\$ 1,020	5
11750	DJ-PC	\$ 104	23	20899	UP18LW16-S8	\$ 607	4
12000	DJ-MMS-DCS-2	\$ 104	23	20900	UP30LF16-S	\$ 1,063	4
12001	DJ-DCS-2	\$ 47	23	20902	UP20LW16-S8	\$ 642	4
12002	DJ-EC-6	\$ 27	10, 23	20903	UP18WN-S8	\$ 880	5
12005	DJ-110V-HEM-DCS	\$ 517	23	20904	UP20WN-S8	\$ 944	5
12008	DJ-EC-9	\$ 29	10, 23	20906	UP18LI16-S	\$ 704	4
12009	DJ-EC-12	\$ 32	10, 23	20907	UP20LI16-S	\$ 742	4
12013	2-SPDCS-HD	\$ 105	9, 24	20908	UP18IN-S	\$ 953	5
12015	DJ-DCS-23	\$ 47	24	20909	UP20IN-S	\$ 1,009	5
				20911	UP18LS16-S	\$ 581	4
				20912	UP20LS16-S	\$ 617	4
				20915	M30GBA	\$ 877	4



EDP Number	Catalog Number	List Price	Page	EDP Number	Catalog Number	List Price	Page
21007	967-3 SP	\$ 970	9	21623	42MP-5X	\$ 13,342	38
21017	642-AC 3 SP	\$ 489	9, 24	21631	48MP-7-1/2	\$ 17,909	37
21021	967J	\$ 681	9	21633	48MP-7-1/2X	\$ 19,958	38
21022	642J	\$ 344	9	21700	18M-1/4M	\$ 4,282	38
21025	1069 B	\$ 948	9	21701	18MP-1/4M	\$ 4,220	38
21035	1169 E	\$ 1,160	9	21702	18M-1/4MX	\$ 5,114	38
21040	1269	\$ 1,413	9	21703	18MP-1/4MX	\$ 5,242	38
21050	1369	\$ 1,227	9	21710	24M-1/4M	\$ 4,647	38
21070	AC24-G	\$ 142	9, 13, 18	21711	24MP-1/4M	\$ 4,399	38
21080	AC30-G	\$ 210	9, 13, 18	21712	24M-1/4MX	\$ 5,218	38
21082	AC30GS	\$ 253	9	21713	24MP-1/4MX	\$ 5,535	38
21089	COM30-HG&P	\$ 295	24	21720	24M-1/2M	\$ 4,915	38
21090	642-AC25DC	\$ 513	9, 24	21721	24MP-1/2M	\$ 4,890	38
21095	24BA-1A	\$ 227	9, 29	21722	24M-1/2MX	\$ 5,883	38
21101	18BA-1	\$ 192	9	21723	24MP-1/2MX	\$ 6,106	38
21102	20BA-1	\$ 205	9, 29	21730	24M-1M	\$ 5,474	38
21105	30BA-1A	\$ 241	9, 29	21731	24MP-1M	\$ 5,250	38
21115	36BA-1	\$ 298	29	21732	24M-1MX	\$ 6,535	38
21120	24HH-1	\$ 100	9	21733	24MP-1MX	\$ 6,516	38
21130	30HH-1	\$ 117	9	21740	24M-3M	\$ 7,497	38
21152	8CP2B	\$ 125	4, 10, 24	21741	24MP-3M	\$ 5,908	38
21153	I-2030B	\$ 110	13, 17	21743	24MP-3MX	\$ 7,385	38
21165	A-786B-1	\$ 116	4, 10, 17	21750	30M-1/2M	\$ 5,376	38
21166	A786B-2	\$ 118	4, 10, 13, 17, 24	21751	30MP-1/2M	\$ 5,357	38
21187	878W	\$ 127	4, 10, 14, 24	21752	30M-1/2MX	\$ 6,410	38
21191	700-U	\$ 210	4, 10, 24	21753	30MP-1/2MX	\$ 6,590	38
21203	CK-2	\$ 92	4, 10	21760	30M-1-1/2M	\$ 6,270	38
21204	Safety Kit	\$ 32	10, 14, 18, 23, 24, 35	21761	30MP-1-1/2M	\$ 5,871	38
21300	18M-1/4	\$ 4,920	37	21762	30M-1-1/2MX	\$ 8,569	38
21301	18MP-1/4	\$ 4,860	37	21763	30MP-1-1/2MX	\$ 7,138	38
21302	18M-1/4X	\$ 5,741	38	21770	30M-3M	\$ 7,596	38
21303	18MP-1/4X	\$ 5,875	38	21771	30MP-3M	\$ 6,311	38
21310	24M-1/4	\$ 5,125	37	21773	30MP-3MX	\$ 7,814	38
21311	24MP-1/4	\$ 5,053	37	21777	Gear Box	\$ 224	9
21312	24M-1/4X	\$ 5,884	38	21780	36M-1-1/2M	\$ 7,310	38
21313	24MP-1/4X	\$ 6,008	38	21781	36MP-1-1/2M	\$ 6,940	38
21320	24M-1/2	\$ 5,573	37	21782	36M-1-1/2MX	\$ 10,699	38
21321	24MP-1/2	\$ 5,541	37	21783	36MP-1-1/2MX	\$ 8,415	38
21322	24M-1/2X	\$ 6,584	38	21790	36M-2M	\$ 7,918	38
21323	24MP-1/2X	\$ 6,751	38	21791	36MP-2M	\$ 7,014	38
21330	24M-1	\$ 6,143	37	21792	36M-2MX	\$ 11,779	38
21331	24MP-1	\$ 5,932	37	21793	36MP-2MX	\$ 8,502	38
21332	24M-1X	\$ 7,194	38	21810	42M-2M	\$ 14,075	38
21333	24MP-1X	\$ 7,198	38	21811	42MP-2M	\$ 8,626	38
21340	24M-3	\$ 7,969	37	21813	42MP-2MX	\$ 9,953	38
21341	24MP-3	\$ 6,593	37	22001	36MP-3M	\$ 8,436	38
21343	24MP-3X	\$ 8,042	38	22003	36MP-3MX	\$ 10,624	38
21350	30M-1/2	\$ 6,125	37	22021	42MP-5M	\$ 9,984	38
21351	30MP-1/2	\$ 6,106	37	22023	42MP-5MX	\$ 12,565	38
21352	30M-1/2X	\$ 7,158	38	22031	48MP-7-1/2M	\$ 14,672	38
21353	30MP-1/2X	\$ 7,335	38	22033	48MP-7-1/2MX	\$ 18,662	38
21360	30M-1-1/2	\$ 7,006	37	22100	18M-1/4L	\$ 3,574	38
21361	30MP-1-1/2	\$ 6,641	37	22101	18MP-1/4L	\$ 3,512	38
21362	30M-1-1/2X	\$ 10,272	38	22102	18M-1/4LX	\$ 4,409	39
21363	30MP-1-1/2X	\$ 7,894	38	22103	18MP-1/4LX	\$ 4,519	39
21370	30M-3	\$ 8,351	37	22110	24M-1/4L	\$ 3,724	38
21371	30MP-3	\$ 7,070	37	22111	24MP-1/4L	\$ 3,674	38
21373	30MP-3X	\$ 8,589	38	22112	24M-1/4LX	\$ 4,493	39
21380	36M-1-1/2	\$ 8,017	37	22113	24MP-1/4LX	\$ 4,630	39
21381	36MP-1-1/2	\$ 7,683	37	22120	24M-1/2L	\$ 4,200	38
21382	36M-1-1/2X	\$ 11,409	38	22121	24MP-1/2L	\$ 4,171	38
21383	36MP-1-1/2X	\$ 8,936	38	22122	24M-1/2LX	\$ 5,159	39
21390	36M-2	\$ 8,654	37	22123	24MP-1/2LX	\$ 5,376	39
21391	36MP-2	\$ 7,750	37	22130	24M-1L	\$ 4,754	38
21392	36M-2X	\$ 12,519	38	22131	24MP-1L	\$ 4,505	38
21393	36MP-2X	\$ 9,234	38	22132	24M-1LX	\$ 5,810	39
21410	42M-2	\$ 14,944	37	22133	24MP-1LX	\$ 5,785	39
21411	42MP-2	\$ 9,523	37	22140	24M-3L	\$ 8,502	38
21413	42MP-2X	\$ 10,848	37	22141	24MP-3L	\$ 5,163	38
21601	36MP-3	\$ 9,173	37	22143	24MP-3LX	\$ 6,641	39
21603	36MP-3X	\$ 11,357	38	22150	30M-1/2L	\$ 4,605	38
21621	42MP-5	\$ 10,873	38	22151	30MP-1/2L	\$ 4,568	38



Table Of Contents - Part Number Index

EDP Number	Catalog Number	List Price	Page	EDP Number	Catalog Number	List Price	Page
22152	30M-1/2LX	\$ 5,635	39	◀ 23000	EPRSM7	\$ 301	40
22153	30MP-1/2LX	\$ 5,796	39	23001	EPRSM10	\$ 324	40
22160	30M-1-1/2L	\$ 5,481	38	23002	EPRSM12	\$ 368	40
22161	30MP-1-1/2L	\$ 5,067	38	23003	EPRSM16	\$ 550	40
22162	30M-1-1/2LX	\$ 8,738	39	23004	EPRSM18	\$ 614	40
22163	30MP-1-1/2LX	\$ 6,516	39	23005	EPRSM24	\$ 769	40
22170	30M-3L	\$ 6,806	38	23007	EPRSM20	\$ 654	40
22171	30MP-3L	\$ 5,510	38	◀ 23008**	EPRSM30	\$ 917	40
22173	30MP-3LX	\$ 7,014	39	◀ 23011	LPSF10	\$ 258	40
22180	36M-1-1/2L	\$ 6,322	38	◀ 23012	LPSF16	\$ 440	40
22181	36MP-1-1/2L	\$ 5,942	38	◀ 23013	LPSF18	\$ 491	40
22182	36M-1-1/2LX	\$ 9,713	39	◀ 23014	LPSF24	\$ 615	40
22183	36MP-1-1/2LX	\$ 7,216	39	◀ 23015	LPSF12	\$ 294	40
22190	36M-2L	\$ 6,914	38	◀ 23016	LPSF20	\$ 522	40
22191	36MP-2L	\$ 6,008	38	23060	10EPR	\$ 244	41
22192	36M-2LX	\$ 10,772	39	23070	12EPR	\$ 255	41
22193	36MP-2LX	\$ 7,497	39	23080	16EPR	\$ 316	41
22210	42M-2L	\$ 13,058	38	23090	18EPR	\$ 320	41
22211	42MP-2L	\$ 7,584	38	23163	DF-4	\$ 17	81
22213	42MP-2LX	\$ 8,911	39	23164	DF-6	\$ 20	81
22401	36MP-3L	\$ 7,435	38	23165	BD-4	\$ 12	81
22403	36MP-3LX	\$ 9,620	39	23166	BD-6	\$ 16	81
22421	42MP-5L	\$ 8,936	38	23170	DF-8	\$ 32	81
22423	42MP-5LX	\$ 11,420	39	23171	BD-8	\$ 26	81
22431	48MP-7-1/2L	\$ 13,456	38	23172	BD-10	\$ 40	81
22433	48MP-7-1/2LX	\$ 17,439	39	23177	DF-5	\$ 18	81
22440	Yoke Mount-Tilt	\$ 980	39	23178	BD-12	\$ 60	81
22441	Yoke Mount-Tilt, Swivel	\$ 2,395	39	23179	DF-12	\$ 48	81
22450	Yoke Mount-Tilt	\$ 1,096	39	23180	DF-10	\$ 40	81
22451	Yoke Mount-Tilt, Swivel	\$ 2,494	39	23190	AIF-100B	\$ 212	81
22460	Yoke Mount-Tilt	\$ 1,121	39	23191	AIF-125B	\$ 218	81
22461	Yoke Mount-Tilt, Swivel	\$ 2,793	39	23192	AIF-150B ES	\$302	81
22470	Yoke Mount-Tilt	\$ 1,365	39	23193	AIF-200B ES	\$335	81
22471	Yoke Mount-Tilt, Swivel	\$ 3,109	39	23194	AIF-300B ES	\$605	81
22480	Casters	\$ 770	39	23201	PS-DB	\$130	81
22490	Casters	\$ 1,080	39	23202	AIF100A ES	\$207	81
22611	WC12	\$ 176	41, 42, 56	23203	AIF125A ES	\$215	81
22621	WC16	\$ 186	41, 42, 48, 56	23204	AIF150A ES	\$221	81
22631	WC18	\$ 221	41, 42, 44, 48, 56	23205	AIF200A ES	\$309	81
22641	WC24	\$ 276	42, 44, 48, 51, 55, 56	23206	AIF250 ES	\$423	81
22651	WC30	\$ 389	44, 48, 51, 55, 56	23207	AIF300A ES	\$523	81
22661	WC36	\$ 515	44, 48, 51, 55, 56	24855	485210	\$40	81
22671	WC42	\$ 725	48, 51, 55, 56	23605	12RG	\$ 298	42, 48, 58
22681	WC48	\$ 870	48, 51, 55, 56	23610	16RG	\$ 374	42, 48, 58
22691	WC54	\$ 1,120	55, 56	23615	18RG	\$ 426	42, 48, 58
22701	WC60	\$ 1,385	55, 56	23620	24RG	\$ 450	42, 48, 51, 55, 58
22747	WRHD48	\$ 1,204	48, 53	23625	30RG	\$ 482	44, 48, 51, 55, 58
22748	WRHD54	\$ 1,710	53, 54	23630	36RG	\$ 788	44, 48, 51, 55, 58
22749	WRHD60	\$ 1,875	53, 54	23635	42RG	\$ 1,010	48, 51, 55, 58
22754	WC9	\$ 164	41, 56	23640	48RG	\$ 1,232	48, 51, 55, 58
22755	WC10	\$ 176	41, 42, 48, 56	23645	54RG	\$ 1,410	55, 58
22900	MK5047-F	\$ 397	41, 45, 48, 87	23650	60RG	\$ 1,601	55, 58
22905	MK5047-C	\$ 364	45, 48, 87	23660	12FG	\$ 257	42, 48, 58
22908	MK5047-E	\$ 364	48, 87	23665	16FG	\$ 273	42, 48, 58
22910	MK-4782-F	\$ 637	48, 87	23670	18FG	\$ 310	42, 44, 48, 58
22915	MK-4782-C	\$ 637	48, 87	23675	24FG	\$ 342	42, 44, 48, 51, 55, 58
22918	MK-4782-E	\$ 612	48, 87	23680	30FG	\$ 374	44, 48, 51, 55, 58
22970	EASR-MF-10"	\$ 135	41, 56	23685	36FG	\$ 458	44, 48, 51, 55, 58
22971	EASR-MF-12"	\$ 135	41, 42, 48, 56	23690	42FG	\$ 543	48, 51, 55, 58
22972	EASR-MF-14"	\$ 142	41, 42, 56	23695	48FG	\$ 593	48, 51, 55, 58
22973	EASR-MF-18"	\$ 181	41, 42, 48, 56	23700	54FG	\$ 697	55, 58
22974	EASR-MF-20"	\$ 196	41, 42, 44, 48, 56	23705	60FG	\$ 802	55, 58
22975	EASR-MF-26"	\$ 260	42, 44, 48, 51, 54, 56	◀ 24100	10EPR16	\$ 506	41
22976	EASR-MF-32"	\$ 355	44, 48, 51, 54, 56	◀ 24110	12EPR16	\$ 527	41
22977	EASR-MF-38"	\$ 444	44, 48, 51, 54, 56	◀ 24120	16EPR16	\$ 639	41
22978	EASR-MF-44"	\$ 720	48, 51, 54, 56	◀ 24130	18EPR16	\$ 679	41
22979	EASR-MF-50"	\$ 841	48, 51, 54, 56	◀ 24201	PD18T-D3A	\$ 801	44
22980	EASR-MF-56"	\$ 1,004	54, 56	◀ 24211	PD24T-E3A	\$ 908	44
22981	EASR-MF-62"	\$ 1,406	54, 56	◀ 24221	PD30T-G3A	\$ 1,804	44
22982	MTR-556 SP	\$ 397	41, 45, 48, 88	◀ 24231	PD36R-G3A	\$ 2,127	44
22983	MTR-556 DP	\$ 675	48, 88	◀ 24260	PD24T-E8A	\$ 1,760	44
22984	MTR-885 DP	\$ 397	48, 88	◀ 24270	PD30T-G8	\$ 1,889	44



← EDP in Stock

Table Of Contents - Part Number Index

EDP Number	Catalog Number	List Price	Page	EDP Number	Catalog Number	List Price	Page
← 24280	PD36R-G8	\$ 2,206	44	30270	UP24H-I3	\$ 3,516	68
← 24350	12EXG16	\$ 1,725	42	30280	UP30H-H3	\$ 3,392	68
← 24360	16EXG16	\$ 1,997	42	30400	UP18H-G8	\$ 3,065	68
24371	18EXG16A	\$ 2,026	42	30410	UP24H-F8	\$ 5,043	68
← 24381	24EXG16A	\$ 2,079	42	30420	UP24H-I8	\$ 3,526	68
24391	18EBX836A	\$ 2,190	42	30430	UP30H-H8	\$ 4,559	68
24401	24EBX836A	\$ 2,276	42	30440	UP30H-K8	\$ 4,584	68
24820	T-1	\$ 266	41, 45, 80, 87	30450	UP36H-I8	\$ 5,345	68
24830	90015 (G1E1)	\$ 160	80	30460	UP36H-L8	\$ 5,628	68
24848	374111	\$ 77	35	30470	UP42H-I8	\$ 7,478	68
24852	Switch	\$ 60	41, 45	30480	UP42H-K8	\$ 7,490	68
24855	485210	\$ 74	35, 41	30490	UP42H-M8	\$ 7,545	68
24860	596321	\$ 152	35	30500	UP48H-K8	\$ 9,579	68
24880	H-1	\$ 313	35, 87	30510	UP48H-M8	\$ 9,672	68
← 25300	H12V76-1	\$ 1,229	46	30520	UP60H-L8	\$ 11,818	68
← 25305	H16V76-1	\$ 1,497	46	30600	UPB24R-G3	\$ 3,712	69
25310	H16V836-1	\$ 1,441	46	30610	UPB24R-H3	\$ 3,841	69
25315	H18V76-1	\$ 1,607	46	30620	UPB24R-I3	\$ 3,840	69
← 25320	H18V836-1	\$ 1,560	46	30630	UPB30R-H3	\$ 4,620	69
25325	H18VEX76-1	\$ 2,087	46	30640	UPB30R-I3	\$ 4,647	69
25330	H18V3EX836-1	\$ 2,340	46	30650	UPB30R-J3	\$ 4,799	69
← 25335	H24V76-2	\$ 2,079	46	30670	UPB36R-I3	\$ 5,572	69
← 25340	H24V836-2	\$ 1,860	46	30680	UPB36R-J3	\$ 5,714	69
25345	H24VEX76-2	\$ 2,577	46	30720	UPB42R-J3	\$ 6,453	69
25350	H24VEX836-2	\$ 2,691	46	30850	UPB24R-G8	\$ 3,636	69
25355	H30V76-1	\$ 3,842	46	30860	UPB24R-H8	\$ 3,683	69
25360	H30V836-1	\$ 2,413	46	30870	UPB24R-I8	\$ 3,664	69
← 25365	H30V836-3	\$ 2,631	46	30880	UPB30R-H8	\$ 4,477	69
25370	H30VEX76-1	\$ 6,068	46	30890	UPB30R-I8	\$ 4,559	69
25375	H30VEX836-1	\$ 4,822	46	30900	UPB30R-J8	\$ 4,722	69
25380	H30VEX836-3	\$ 4,862	46	30910	UPB30R-K8	\$ 4,714	69
25385	H36V836-3	\$ 2,856	46	30920	UPB36R-I8	\$ 5,355	69
← 25390	H36V836-1	\$ 2,875	46	30930	UPB36R-J8	\$ 5,639	69
← 25395	H36V836-2	\$ 3,274	46	30940	UPB36R-K8	\$ 5,521	69
25400	H36VEX836-3	\$ 5,071	46	30950	UPB36R-L8	\$ 6,007	69
25405	H36VEX836-1	\$ 5,104	46	30960	UPB36R-M8	\$ 6,663	69
25410	H36VEX836-2	\$ 6,142	46	30970	UPB42R-J8	\$ 6,402	69
25415	H42V836-3	\$ 3,740	46	30980	UPB42R-K8	\$ 6,339	69
25420	H42V836-1	\$ 4,469	46	30990	UPB42R-L8	\$ 6,751	69
← 25425	H42V836-2	\$ 4,710	46	31000	UPB42R-M8	\$ 7,383	69
25435	H42VEX836-1	\$ 6,789	46	31010	UPB48R-L8	\$ 7,710	69
25440	H42VEX836-2	\$ 7,626	46	31020	UPB48R-M8	\$ 7,973	69
25445	H48V836-3	\$ 6,392	46	31030	UPB60R-L8	\$ 10,652	69
← 25450	H48V836-2	\$ 6,854	46	31040	UPB60R-M8	\$ 11,160	69
25460	H48VEX836-2	\$ 9,758	46	31050	PACN31.5-8	\$ 356	68
25602	PB24RA-F1A	\$ 1,342	50	31055	PACN37.5-8	\$ 425	68
← 25612	PB24RA-G1APB	\$ 1,399	50	31060	PACN43.5-8	\$ 491	68
25622	PB30RA-F1A	\$ 1,395	50	31065	PACN49.5-8	\$ 562	68
← 25632	PB30RA-G1APB	\$ 1,422	50	31070	PACN55.5-8	\$ 664	68
25652	PB36RA-F1A	\$ 1,627	50	31075	PACN61.5-8	\$ 695	68
← 25662	PB36RA-G1APB	\$ 1,649	50	31080	PACN73.5-8	\$ 833	68
25682	PB42RA-F1A	\$ 2,246	50	31100	PACA17.75-8	\$ 227	70, 71, 78, 79
25692	PB42RA-G1A	\$ 2,263	50	31101	PACA17.75-12	\$ 253	70, 71, 78
25702	PB42RA-H3A	\$ 2,489	50	31102	PACA20-8	\$ 259	70, 71, 73, 75, 78, 79
← 25712	PB42RA-I3A	\$ 2,499	50	31103	PACA20-12	\$ 285	70, 71, 73, 75, 78
25722	PB48RA-G1A	\$ 2,407	50	31104	PACA20-18V	\$ 525	75
25732	PB48RA-H3A	\$ 2,607	50	31107	PACA23.75-8	\$ 317	73, 75, 77
← 25742	PB48RAI3A	\$ 2,586	50	31108	PACA23.75-12	\$ 372	73, 75, 77
25801	PB24RA-F8A	\$ 1,330	50	31109	PACA23.75-18V	\$ 622	75, 77
25811	PB24RA-G8A	\$ 1,673	50	31110	PACA25-8	\$ 334	70, 79
25821	PB30RA-F8A	\$ 1,365	50	31111	PACA25-12	\$ 391	70
25831	PB30RA-G8A	\$ 1,679	50	31112	PACA27-8	\$ 362	73, 75, 77
25851	PB36RA-F8A	\$ 1,599	50	31113	PACA27-12	\$ 423	73, 75, 77
← 25861	PB36RA-G8APB	\$ 1,914	50	31114	PACA27-18V	\$ 708	75, 77
25881	PB42RA-F8A	\$ 2,233	50	31115	PACA32-8	\$ 427	73, 75, 77
25891	PB42RA-G8A	\$ 2,548	50	31116	PACA32-12	\$ 502	73, 75, 77
← 25911	PB42RA-I8A	\$ 2,770	50	31117	PACA32-18V	\$ 839	75, 77
25921	PB48RA-G8A	\$ 2,695	50	31118	PACA39-8	\$ 519	73, 75, 77
25941	PB48RA-I8A	\$ 2,888	50	31119	PACA39-12	\$ 613	73, 75, 77
3				31120	PACA39-18V	\$ 1,023	75, 77
30250	UP18H-G3	\$ 3,120	68	31121	PACA43-8	\$ 505	73, 75
30260	UP24H-F3	\$ 3,683	68	31122	PACA43-12	\$ 671	73, 75
				31123	PACA43-18V	\$ 1,126	75



Table Of Contents - Part Number Index

EDP Number	Catalog Number	List Price	Page	EDP Number	Catalog Number	List Price	Page
32004	PLDA12FZ	\$ 3,148	60	32115	PLDA34MA	\$ 5,726	59
32005	PLDA12FZ	\$ 3,161	61	32116	PLDA34MA	\$ 5,065	60
32008	PLDA12HZ	\$ 2,402	59	32117	PLDA34MA	\$ 9,179	60
32009	PLDA12HZ	\$ 2,414	60	32118	PLDA34MA	\$ 6,261	61
32010	PLDA12HZ	\$ 3,453	60	32120	PLDA34MC	\$ 5,426	60
32011	PLDA12HZ	\$ 3,478	61	32121	PLDA34MC	\$ 6,928	61
32014	PLDA18CA	\$ 2,536	59	32123	PLDA34OC	\$ 6,400	60
32015	PLDA18CA	\$ 2,498	60	32124	PLDA34OC	\$ 8,649	61
32016	PLDA18CA	\$ 3,258	60	32126	PLDA42JD	\$ 6,847	60
32017	PLDA18CA	\$ 3,186	61	32128	PLDA42MC	\$ 6,455	60
32020	PLDA18DA	\$ 2,679	59	32129	PLDA42MC	\$ 7,827	61
32021	PLDA18DA	\$ 2,650	60	32131	PLDA42MD	\$ 7,924	60
32022	PLDA18DA	\$ 3,630	60	32133	PLDA42PC	\$ 7,890	60
32023	PLDA18DA	\$ 3,396	61	32134	PLDA42PC	\$ 10,228	61
32026	PLDA18JA	\$ 3,532	59	32136	PLDA48OC	\$ 8,584	60
32027	PLDA18JA	\$ 3,246	60	32138	PLDA48OD	\$ 9,878	60
32028	PLDA18JA	\$ 4,588	60	32140	PLDA48PD	\$ 11,343	60
32029	PLDA18JA	\$ 4,546	61	32141	PLDA Accessory	\$ 112	62
32032	PLDA24CA	\$ 2,793	59	32142	PLDA Accessory	\$ 500	62
32033	PLDA24CA	\$ 2,747	60	32143	PLDA Accessory	\$ 417	62
32034	PLDA24CA	\$ 3,524	60	32144	PLDA Accessory	\$ 980	62
32035	PLDA24CA	\$ 3,430	61	32145	PLDA Accessory	\$ 123	62
32038	PLDA24DC	\$ 3,763	59	32146	PLDA Accessory	\$ 152	62
32039	PLDA24DC	\$ 3,630	60	32147	PLDA Accessory	\$ 528	62
32040	PLDA24DC	\$ 4,698	60	32148	PLDA Accessory	\$ 416	62
32041	PLDA24DC	\$ 5,073	61	32149	PLDA Accessory	\$ 1,209	62
32044	PLDA24FA	\$ 3,210	59	32151	PLDA Accessory	\$ 142	62
32045	PLDA24FA	\$ 3,186	60	32152	PLDA Accessory	\$ 198	62
32046	PLDA24FA	\$ 4,184	60	32153	PLDA Accessory	\$ 538	62
32047	PLDA24FA	\$ 4,392	61	32154	PLDA Accessory	\$ 463	62
32051	PLDA24HC	\$ 4,741	59	32155	PLDA Accessory	\$ 1,519	62
32052	PLDA24HC	\$ 4,019	60	32156	PLDA Accessory	\$ 159	62
32053	PLDA24HC	\$ 5,533	60	32157	PLDA Accessory	\$ 208	62
32054	PLDA24HC	\$ 5,503	61	32158	PLDA Accessory	\$ 653	62
32057	PLDA24JA	\$ 3,817	59	32159	PLDA Accessory	\$ 463	62
32058	PLDA24JA	\$ 3,532	60	32160	PLDA Accessory	\$ 1,727	62
32059	PLDA24JA	\$ 4,864	60	32161	PLDA Accessory	\$ 208	62
32060	PLDA24JA	\$ 4,808	61	32162	PLDA Accessory	\$ 226	62
32062	PLDA24OA	\$ 4,196	60	32163	PLDA Accessory	\$ 670	62
32063	PLDA24OA	\$ 5,651	61	32164	PLDA Accessory	\$ 463	62
32066	PLDA27FA	\$ 3,491	59	32165	PLDA Accessory	\$ 1,897	62
32067	PLDA27FA	\$ 3,449	60	32166	PLDA Accessory	\$ 246	62
32068	PLDA27FA	\$ 4,458	60	32167	PLDA Accessory	\$ 253	62
32069	PLDA27FA	\$ 4,753	61	32168	PLDA Accessory	\$ 680	62
32073	PLDA27JA	\$ 4,019	59	32169	PLDA Accessory	\$ 463	62
32074	PLDA27JA	\$ 3,761	60	32171	PLDA Accessory	\$ 2,140	62
32075	PLDA27JA	\$ 5,072	60	32172	PLDA Accessory	\$ 265	62
32076	PLDA27JA	\$ 5,041	61	32173	PLDA Accessory	\$ 275	62
32079	PLDA27MA	\$ 5,475	59	32174	PLDA Accessory	\$ 726	62
32080	PLDA27MA	\$ 4,054	60	32175	PLDA Accessory	\$ 528	62
32081	PLDA27MA	\$ 8,489	60	32176	PLDA Accessory	\$ 2,508	62
32082	PLDA27MA	\$ 5,542	61	32177	PLDA Accessory	\$ 291	62
32085	PLDA30FA	\$ 3,717	59	32178	PLDA Accessory	\$ 313	62
32086	PLDA30FA	\$ 3,783	60	32179	PLDA Accessory	\$ 759	62
32087	PLDA30FA	\$ 4,670	60	32180	PLDA Accessory	\$ 622	62
32088	PLDA30FA	\$ 4,875	61	32181	PLDA Accessory	\$ 2,915	62
32091	PLDA30HC	\$ 5,125	59	32182	PLDA Accessory	\$ 322	62
32092	PLDA30HC	\$ 4,385	60	32185	PLDXA12CA	\$ 3,172	63
32093	PLDA30HC	\$ 5,892	60	32186	PLDXA12CA	\$ 3,186	64
32094	PLDA30HC	\$ 6,026	61	32187	PLDXA12CA	\$ 3,761	65
32097	PLDA30MA	\$ 5,189	59	32188	PLDXA12CA	\$ 3,993	66
32098	PLDA30MA	\$ 4,425	60	32191	PLDXA12FA	\$ 3,172	63
32099	PLDA30MA	\$ 9,046	60	32192	PLDXA12FA	\$ 3,279	64
32100	PLDA30MA	\$ 5,480	61	32193	PLDXA12FA	\$ 3,846	65
32102	PLDA30MC	\$ 5,122	60	32194	PLDXA12FA	\$ 4,398	66
32103	PLDA30MC	\$ 6,571	61	32197	PLDXA12HA	\$ 3,328	63
32105	PLDA30OA	\$ 4,570	60	32198	PLDXA12HA	\$ 3,553	64
32106	PLDA30OA	\$ 6,014	61	32199	PLDXA12HA	\$ 4,092	65
32109	PLDA34KA	\$ 5,131	59	32200	PLDXA12HA	\$ 4,586	66
32110	PLDA34KA	\$ 4,698	60	32203	PLDXA15CA	\$ 3,502	63
32111	PLDA34KA	\$ 8,453	60	32204	PLDXA15CA	\$ 3,516	64
32112	PLDA34KA	\$ 5,981	61	32205	PLDXA15CA	\$ 4,092	65



← EDP in Stock

Table Of Contents - Part Number Index

EDP Number	Catalog Number	List Price	Page	EDP Number	Catalog Number	List Price	Page
32206	PLDXA15CA	\$ 4,336	66	32315	PLDXA30FA	\$ 5,855	64
32209	PLDXA15DA	\$ 3,524	63	32316	PLDXA30FA	\$ 6,677	65
32210	PLDXA15DA	\$ 3,614	64	32317	PLDXA30FA	\$ 7,052	66
32211	PLDXA15DA	\$ 4,464	65	32320	PLDXA30JA	\$ 6,356	63
32212	PLDXA15DA	\$ 4,816	66	32321	PLDXA30JA	\$ 6,195	64
32215	PLDXA15FA	\$ 3,685	63	32322	PLDXA30JA	\$ 7,344	65
32216	PLDXA15FA	\$ 3,761	64	32323	PLDXA30JA	\$ 7,429	66
32217	PLDXA15FA	\$ 4,646	65	32326	PLDXA30KA	\$ 6,969	63
32218	PLDXA15FA	\$ 4,659	66	32327	PLDXA30KA	\$ 6,652	64
32221	PLDXA15HA	\$ 4,101	63	32328	PLDXA30KA	\$ 10,118	65
32222	PLDXA15HA	\$ 4,073	64	32329	PLDXA30KA	\$ 7,901	66
32223	PLDXA15HA	\$ 5,047	65	32332	PLDXA30MA	\$ 7,429	63
32224	PLDXA15HA	\$ 5,041	66	32333	PLDXA30MA	\$ 6,806	64
32227	PLDXA18CA	\$ 3,700	63	32334	PLDXA30MA	\$ 11,576	65
32228	PLDXA18CA	\$ 3,724	64	32335	PLDXA30MA	\$ 8,129	66
32229	PLDXA18CA	\$ 4,275	65	32337	PLDXA30OA	\$ 7,018	64
32230	PLDXA18CA	\$ 4,546	66	32338	PLDXA30OA	\$ 8,506	66
32233	PLDXA18DA	\$ 3,712	63	32341	PLDXA34KA	\$ 7,314	63
32234	PLDXA18DA	\$ 3,808	64	32342	PLDXA34KA	\$ 7,007	64
32235	PLDXA18DA	\$ 4,655	65	32343	PLDXA34KA	\$ 10,457	65
32236	PLDXA18DA	\$ 4,999	66	32344	PLDXA34KA	\$ 8,263	66
32239	PLDXA18FA	\$ 3,858	63	32347	PLDXA34MA	\$ 8,011	63
32240	PLDXA18FA	\$ 3,941	64	32348	PLDXA34MA	\$ 7,410	64
32241	PLDXA18FA	\$ 4,826	65	32349	PLDXA34MA	\$ 12,172	65
32242	PLDXA18FA	\$ 5,135	66	32352	PLDXA34MA	\$ 8,742	66
32245	PLDXA18JA	\$ 4,741	63	32354	PLDXA34OA	\$ 7,594	64
32246	PLDXA18JA	\$ 4,542	64	32355	PLDXA34OA	\$ 9,082	66
32247	PLDXA18JA	\$ 5,722	65	32358	PLDXA42KA	\$ 8,710	63
32248	PLDXA18JA	\$ 5,743	66	32359	PLDXA42KA	\$ 8,428	64
32251	PLDXA18KA	\$ 5,052	63	32360	PLDXA42KA	\$ 11,863	65
32252	PLDXA18KA	\$ 4,676	64	32361	PLDXA42KA	\$ 9,700	66
32253	PLDXA18KA	\$ 8,183	65	32364	PLDXA42MA	\$ 9,115	63
32254	PLDXA18KA	\$ 5,920	66	32365	PLDXA42MA	\$ 8,540	64
32257	PLDXA24FA	\$ 4,184	63	32366	PLDXA42MA	\$ 13,268	65
32258	PLDXA24FA	\$ 4,268	64	32367	PLDXA42MA	\$ 9,864	66
32259	PLDXA24FA	\$ 5,144	65	32369	PLDXA42OA	\$ 8,796	64
32260	PLDXA24FA	\$ 5,469	66	32372	PLDXA42OA	\$ 10,280	66
32263	PLDXA24HA	\$ 4,562	63	32374	PLDXA42PA	\$ 9,314	64
32264	PLDXA24HA	\$ 4,546	64	32375	PLDXA42PA	\$ 11,099	66
32265	PLDXA24HA	\$ 5,497	65	32377	PLDXA48PA	\$ 13,279	64
32266	PLDXA24HA	\$ 5,620	66	32378	PLDXA48PA	\$ 15,061	66
32269	PLDXA24JA	\$ 4,921	63	32380	PLDXA48QA	\$ 14,068	64
32270	PLDXA24JA	\$ 4,715	64	32381	PLDXA48QA	\$ 16,331	66
32271	PLDXA24JA	\$ 5,909	65	32383	PLDXA48RA	\$ 14,786	64
32272	PLDXA24JA	\$ 5,930	66	32384	PLDXA48RA	\$ 17,115	66
32275	PLDXA24KA	\$ 6,228	63	32385	PLDXA Accessory	\$ 112	67
32276	PLDXA24KA	\$ 5,892	64	32386	PLDXA Accessory	\$ 500	67
32277	PLDXA24KA	\$ 9,370	65	32387	PLDXA Accessory	\$ 198	67
32278	PLDXA24KA	\$ 7,146	66	32388	PLDXA Accessory	\$ 417	67
32281	PLDXA24MA	\$ 6,685	63	32389	PLDXA Accessory	\$ 980	67
32282	PLDXA24MA	\$ 6,038	64	32391	PLDXA Accessory	\$ 123	67
32283	PLDXA24MA	\$ 10,833	65	32392	PLDXA Accessory	\$ 133	67
32284	PLDXA24MA	\$ 7,362	66	32393	PLDXA Accessory	\$ 511	67
32286	PLDXA24OA	\$ 6,285	64	32394	PLDXA Accessory	\$ 198	67
32287	PLDXA24OA	\$ 7,767	66	32395	PLDXA Accessory	\$ 417	67
32290	PLDXA27HA	\$ 5,798	63	32396	PLDXA Accessory	\$ 1,095	67
32291	PLDXA27HA	\$ 5,806	64	32397	PLDXA Accessory	\$ 133	67
32292	PLDXA27HA	\$ 6,727	65	32398	PLDXA Accessory	\$ 152	67
32293	PLDXA27HA	\$ 6,885	66	32399	PLDXA Accessory	\$ 528	67
32296	PLDXA27JA	\$ 6,155	63	32400	PLDXA Accessory	\$ 198	67
32297	PLDXA27JA	\$ 5,997	64	32401	PLDXA Accessory	\$ 417	67
32298	PLDXA27JA	\$ 7,144	65	32402	PLDXA Accessory	\$ 1,209	67
32299	PLDXA27JA	\$ 7,202	66	32403	PLDXA Accessory	\$ 142	67
32302	PLDXA27KA	\$ 6,522	63	32404	PLDXA Accessory	\$ 198	67
32303	PLDXA27KA	\$ 6,187	64	32405	PLDXA Accessory	\$ 538	67
32304	PLDXA27KA	\$ 9,652	65	32406	PLDXA Accessory	\$ 219	67
32305	PLDXA27KA	\$ 7,437	66	32407	PLDXA Accessory	\$ 463	67
32308	PLDXA27MA	\$ 7,056	63	32408	PLDXA Accessory	\$ 1,519	67
32309	PLDXA27MA	\$ 6,413	64	32409	PLDXA Accessory	\$ 159	67
32310	PLDXA27MA	\$ 11,202	65	32412	PLDXA Accessory	\$ 208	67
32311	PLDXA27MA	\$ 7,742	66	32413	PLDXA Accessory	\$ 653	67
32314	PLDXA30FA	\$ 5,711	63	32414	PLDXA Accessory	\$ 275	67



Table Of Contents - Part Number Index

EDP Number	Catalog Number	List Price	Page	EDP Number	Catalog Number	List Price	Page
32415	PLDXA Accessory	\$ 463	67	32495	CBD245HA	\$ 4,142	73
32416	PLDXA Accessory	\$ 1,727	67	32496	CBD245HA	\$ 4,039	73
32417	PLDXA Accessory	\$ 208	67	32497	CBD245JA	\$ 4,274	73
32418	PLDXA Accessory	\$ 226	67	32498	CBD245JA	\$ 4,084	73
32419	PLDXA Accessory	\$ 670	67	32499	CBD245KA	\$ 4,511	73
32420	PLDXA Accessory	\$ 275	67	32500	CBD245KA	\$ 4,102	73
32421	PLDXA Accessory	\$ 463	67	32501	CBD245MA	\$ 4,429	73
32422	PLDXA Accessory	\$ 1,897	67	32502	CBD245OA	\$ 4,533	73
32423	PLDXA Accessory	\$ 246	67	32503	CBD300JA	\$ 5,374	73
32424	PLDXA Accessory	\$ 253	67	32504	CBD300JA	\$ 5,157	73
32425	PLDXA Accessory	\$ 680	67	32505	CBD300KA	\$ 5,633	73
32426	PLDXA Accessory	\$ 348	67	32506	CBD300KA	\$ 5,186	73
32427	PLDXA Accessory	\$ 463	67	32507	CBD300MA	\$ 5,866	73
32428	PLDXA Accessory	\$ 2,140	67	32508	CBD300OA	\$ 6,108	73
32429	PLDXA Accessory	\$ 265	67	32509	CBD300PA	\$ 6,379	73
32431	PLDXA Accessory	\$ 275	67	32511	CBD365JA	\$ 7,574	73
32432	PLDXA Accessory	\$ 726	67	32512	CBD365JA	\$ 7,311	73
32433	PLDXA Accessory	\$ 395	67	32513	CBD365KA	\$ 7,886	73
32434	PLDXA Accessory	\$ 528	67	32514	CBD365KA	\$ 7,341	73
32435	PLDXA Accessory	\$ 2,508	67	32515	CBD365MA	\$ 7,393	73
32436	PLDXA Accessory	\$ 291	67	32516	CBD365OA	\$ 8,454	73
32437	PLDXA Accessory	\$ 313	67	32517	CBD365PA	\$ 8,782	73
32438	PLDXA Accessory	\$ 759	67	32518	BD37A	\$ 376	73, 75, 77
32439	PLDXA Accessory	\$ 519	67	32524	CBU130CA	\$ 2,964	75
32440	PLDXA Accessory	\$ 622	67	32525	CBU130DA	\$ 2,990	75
32441	PLDXA Accessory	\$ 2,915	67	32526	CBU130FA	\$ 3,006	75
32442	PLDXA Accessory	\$ 322	67	32527	CBU130FA	\$ 2,943	75
32443	EGRV120	\$ 440	79	32528	CBU150DA	\$ 3,123	75
32444	EGRV140	\$ 969	79	32529	CBU150FA	\$ 3,201	75
32445	EGRV180	\$ 1,271	79	32531	CBU150FA	\$ 3,136	75
32446	CDD100-2	\$ 917	71	32532	CBU150HA	\$ 3,297	75
32447	CDD120-2	\$ 1,047	71	32533	CBU150HA	\$ 3,200	75
32449	CDD330B-2	\$ 2,229	71	32534	CBU150JA	\$ 3,430	75
32451	CDD550B-2	\$ 2,635	71	32535	CBU150JA	\$ 3,244	75
32452	BD14.5A	\$ 178	70, 71, 78, 79	32536	CBU180DA	\$ 3,845	75
32453	BD16.75A	\$ 204	70, 71, 73, 75, 78, 79	32537	CBU180FA	\$ 3,935	75
32454	BD21.75A	\$ 282	70, 79	32538	CBU180FA	\$ 3,858	75
32455	BD29A	\$ 250	73, 75, 77	32539	CBU180HA	\$ 4,045	75
32456	BD23.75A	\$ 309	73, 75, 77	32540	CBU180HA	\$ 3,933	75
32457	BD44A	\$ 467	73, 75, 77	32541	CBU180JA	\$ 4,194	75
32458	BD39.75A	\$ 531	73, 75	32542	CBU180JA	\$ 3,982	75
32459	CBD130CA	\$ 2,442	73	32543	CBU180KA	\$ 4,248	75
32460	CBD130DA	\$ 2,484	73	32544	CBU180KA	\$ 4,003	75
32461	CBD130FA	\$ 2,548	73	32545	CBU200DA	\$ 4,054	75
32462	CBD130FA	\$ 2,494	73	32546	CBU200FA	\$ 4,148	75
32463	CBD150DA	\$ 2,647	73	32547	CBU200FA	\$ 4,067	75
32464	CBD150FA	\$ 2,713	73	32548	CBU200HA	\$ 4,261	75
32465	CBD150FA	\$ 2,463	73	32549	CBU200HA	\$ 4,146	75
32466	CBD150HA	\$ 2,794	73	32552	CBU200JA	\$ 4,418	75
32467	CBD150HA	\$ 2,712	73	32553	CBU200JA	\$ 4,196	75
32468	CBD150JA	\$ 2,908	73	32554	CBU200KA	\$ 4,689	75
32469	CBD150JA	\$ 2,746	73	32555	CBU200KA	\$ 4,221	75
32471	CBD180DA	\$ 3,278	73	32556	CBU245HA	\$ 4,888	75
32472	CBD180FA	\$ 3,334	73	32557	CBU245HA	\$ 4,767	75
32473	CBD180FA	\$ 3,267	73	32558	CBU245JA	\$ 5,046	75
32474	CBD180HA	\$ 3,425	73	32559	CBU245JA	\$ 4,819	75
32475	CBD180HA	\$ 3,334	73	32560	CBU245KA	\$ 5,325	75
32476	CBD180JA	\$ 3,550	73	32561	CBU245KA	\$ 4,846	75
32477	CBD180JA	\$ 3,374	73	32562	CBU245MA	\$ 5,227	75
32478	CBD180KA	\$ 3,600	73	32563	CBU245OA	\$ 5,348	75
32479	CBD180KA	\$ 3,393	73	32564	CBU245PA	\$ 5,835	75
32480	CBD180MA	\$ 4,028	73	32565	CBU300HA	\$ 6,165	75
32481	CBD180MA	\$ 3,767	73	32566	CBU300HA	\$ 6,031	75
32483	CBD200FA	\$ 3,514	73	32567	CBU300JA	\$ 6,344	75
32484	CBD200FA	\$ 3,446	73	32568	CBU300JA	\$ 6,088	75
32485	CBD200HA	\$ 3,611	73	32569	CBU300KA	\$ 6,650	75
32486	CBD200HA	\$ 3,510	73	32573	CBU300KA	\$ 6,117	75
32487	CBD200JA	\$ 3,740	73	32574	CBU300MA	\$ 6,925	75
32488	CBD200JA	\$ 3,557	73	32575	CBU300OA	\$ 7,207	75
32489	CBD200KA	\$ 3,969	73	32576	CBU300PA	\$ 7,531	75
32493	CBD200KA	\$ 3,578	73	32577	CBU365KA	\$ 9,306	75
32494	CBD200MA	\$ 3,958	73	32578	CBU365KA	\$ 8,663	75



← EDP in Stock

Table Of Contents - Part Number Index

EDP Number	Catalog Number	List Price	Page	EDP Number	Catalog Number	List Price	Page
32579	CBU365MA	\$ 8,726	75	32763	AS36A	\$ 387	80
32580	CBU3650A	\$ 9,976	75	37113	I-18TEHA	\$ 325	11, 15
32581	CBU365PA	\$ 10,366	75	37114	I-20TEHA	\$ 339	11, 15
32582	CBU-HP150DA	\$ 3,364	77	37129	UP24WN-S8	\$ 1,413	5
32583	CBU-HP150FA	\$ 3,446	77	37135	UP30WN-S8	\$ 1,491	5
32584	CBU-HP150FA	\$ 3,378	77	37137	UP24LS16-S	\$ 843	4
32585	CBU-HP150HA	\$ 3,551	77	37138	UP30LS16-S	\$ 937	4
32586	CBU-HP150HA	\$ 3,446	77	37139	UP24LI16-S	\$ 956	4
32587	CBU-HP150JA	\$ 3,693	77	37140	UP30LI16-S	\$ 1,034	4
32588	CBU-HP150JA	\$ 3,494	77	37144	UP24LW16-S8	\$ 877	4
32589	CBU-HP180FA	\$ 4,241	77	37145	UP30LW16-S8	\$ 955	4
32592	CBU-HP180FA	\$ 4,156	77	37147	UP24IN-S	\$ 1,493	5
32593	CBU-HP180HA	\$ 4,356	77	37148	UP30IN-S	\$ 1,572	5
32594	CBU-HP180HA	\$ 4,234	77	37209	I-24-2	\$ 519	11
32595	CBU-HP180JA	\$ 4,519	77	37212	I-30	\$ 561	11
32596	CBU-HP180JA	\$ 4,287	77	37430	0-3B	\$ 394	13, 17
32597	CBU-HP180KA	\$ 4,574	77	37772	IAC-WB	\$ 66	14, 17, 23
32598	CBU-HP180KA	\$ 4,313	77	37773	IAC-WBS	\$ 227	28
32599	CBU-HP180MA	\$ 5,119	77	37784	IAC-BM-1	\$ 145	14, 18, 23
32600	CBU-HP180MA	\$ 4,789	77	38422	30-IAC-MGBO	\$ 687	12
32601	CBU-HP200HA	\$ 4,594	77	39130	M30RA	\$ 2,502	33
32602	CBU-HP200HA	\$ 4,466	77	39140	M36RA	\$ 2,621	33
32603	CBU-HP200JA	\$ 4,759	77	39150	M42RA	\$ 3,504	33
32604	CBU-HP200JA	\$ 4,519	77	39160	M48RA	\$ 3,814	33
32605	CBU-HP200KA	\$ 5,051	77	39171	30BDFE	\$ 1,386	33
32606	CBU-HP200KA	\$ 4,998	77	39181	36BDFE	\$ 1,604	33
32607	CBU-HP200MA	\$ 5,378	77	39191	42BDFE	\$ 1,782	33
32608	CBU-HP200MA	\$ 5,033	77	39200	36DDFE	\$ 1,443	33
32609	CBU-HP200OA	\$ 6,546	77	← 39220	CFW-30-2A	\$ 2,436	49
32612	CBU-HP200OA	\$ 5,899	77	39223	CFW-30-2A3E	\$ 3,406	49
32613	CBU-HP245HA	\$ 5,265	77	39225	CFW-30-2A1X	\$ 4,016	49
32614	CBU-HP245HA	\$ 5,132	77	← 39230	CFW-36-2A	\$ 2,729	49
32615	CBU-HP245JA	\$ 5,439	77	39234	CFW-36-2A1X	\$ 4,688	49
32616	CBU-HP245JA	\$ 5,189	77	39236	CFW-36-3A3E	\$ 3,818	49
32617	CBU-HP245KA	\$ 5,733	77	39237	CFW-36-2A3E	\$ 3,605	49
32618	CBU-HP245KA	\$ 5,214	77	← 39240	CFW-42-3A	\$ 4,406	49
32619	CBU-HP245MA	\$ 6,791	77	39241	CFW-42-3A1X	\$ 5,691	49
32620	CBU-HP245MA	\$ 5,630	77	39246	CFW-480-4A1X	\$ 6,221	49
32621	CBU-HP245OA	\$ 7,424	77	39247	CFW-42-3A3E	\$ 4,512	49
32622	CBU-HP245OA	\$ 5,759	77	← 39250	CFW-48-4A	\$ 4,772	49
32623	CBU-HP245PA	\$ 6,283	77	39255	CFW-48-4A3E	\$ 5,052	49
32624	CBU-HP300HA	\$ 6,640	77	39257	CFW-48-4A1E	\$ 4,828	49
32625	CBU-HP300HA	\$ 6,497	77	4			
32626	CBU-HP300JA	\$ 7,267	77	40006	UCFG	\$ 370	35
32627	CBU-HP300JA	\$ 6,558	77	40060	MARK VI-60	\$ 374	35
32628	CBU-HP300KA	\$ 7,164	77	40123	MARK VI-115	\$ 241	35
32629	CBU-HP300KA	\$ 6,589	77	40124	MARK VI-277	\$ 268	35
32632	CBU-HP300MA	\$ 7,785	77	40129	MARK V IJetproof (JP-CP)	\$ 378	35
32633	CBU-HP300MA	\$ 6,199	77	40132	MARK I	\$ 125	35
32634	CBU-HP300OA	\$ 8,545	77	42500	HA24CA	\$ 1,650	53
32635	CBU-HP300OA	\$ 7,760	77	42503	HA24CA	\$ 1,741	53
32636	CBU-HP300PA	\$ 8,110	77	42506	HA24CA	\$ 1,867	54
32637	CDU100-2	\$ 1,358	78	42509	HA24DA	\$ 1,682	53
32638	CDU120-2	\$ 1,390	78	42512	HA24DA	\$ 1,836	53
32642	CDU300B-2	\$ 3,043	78	42518	HA24DA	\$ 1,937	53
32643	CDU500B-2	\$ 3,329	78	42521	HA24DA	\$ 1,842	54
32644	ARD100XB	\$ 786	70	42530	HA24FA	\$ 1,947	53
32645	ARD120XB	\$ 1,244	70	42533	HA24FA	\$ 1,886	53
32646	ARD140BC	\$ 1,649	70	42539	HA24FA	\$ 2,055	53
32647	ARD180DC	\$ 2,055	70	42542	HA24FA	\$ 1,950	54
32687	HVB24T	\$ 1,758	80	42545	HA24HA	\$ 1,996	53
32688	HVB30T	\$ 1,847	80	42548	HA24HA	\$ 1,889	53
32689	HVB36T	\$ 2,138	80	42554	HA24HA	\$ 2,075	53
32695	ALWL24	\$ 290	80	← 42557	HA24HA	\$ 2,003	54
32696	ALWL30	\$ 342	80	42563	HA24JA	\$ 1,938	53
32697	ALWL36	\$ 539	80	42566	HA24JA	\$ 1,862	53
32698	Switch	\$ 34	87	← 42569	HA24JA	\$ 2,053	53
32727	CDD300B-2	\$ 1,702	71	42572	HA24JA	\$ 1,921	54
32728	CDU330B-2	\$ 3,043	78	42575	HA24KA	\$ 2,225	53
32760	AS24A	\$ 265	80	42581	HA24KA	\$ 2,052	53
32761	AS30A	\$ 337	80	42584	HA24KA	\$ 2,600	53
32762	AS36R	\$ 426	80	42587	HA24KA	\$ 2,202	54



◀ = EDP in Stock

Table Of Contents - Part Number Index

EDP Number	Catalog Number	List Price	Page	EDP Number	Catalog Number	List Price	Page
42593	HA30DA	\$ 1,974	53	◀ 42891	HA480A	\$ 3,681	54
42596	HA30DA	\$ 2,145	53	42900	HA48PA	\$ 3,645	53
42599	HA30DA	\$ 2,043	54	42903	HA48PA	\$ 4,140	54
42605	HA30FA	\$ 2,151	53	42909	HA54JA	\$ 4,610	53
42608	HA30FA	\$ 2,090	53	42912	HA54JA	\$ 4,511	53
42618	HA30FA	\$ 2,170	53	42915	HA54JA	\$ 4,738	53
42621	HA30FA	\$ 2,145	54	42918	HA54JA	\$ 4,527	54
42624	HA30HA	\$ 2,154	53	42921	HA54KA	\$ 4,867	53
42627	HA30HA	\$ 2,091	53	42924	HA54KA	\$ 4,463	53
42630	HA30HA	\$ 2,289	53	42927	HA54KA	\$ 4,917	53
42633	HA30HA	\$ 2,199	54	42930	HA54KA	\$ 4,639	54
42639	HA30JA	\$ 2,214	53	42933	HA54MA	\$ 4,649	53
42642	HA30JA	\$ 2,130	53	42936	HA54MA	\$ 4,647	54
◀ 42648	HA30JA	\$ 2,325	53	42939	HA54OA	\$ 4,684	53
42651	HA30JA	\$ 2,237	54	42942	HA54OA	\$ 4,854	54
42657	HA30KA	\$ 2,540	53	42945	HA54PA	\$ 5,118	53
42663	HA30KA	\$ 2,240	53	◀ 42951	HA54PA	\$ 5,134	54
42666	HA30KA	\$ 2,305	53	42957	HA54QA	\$ 6,544	53
42669	HA30KA	\$ 2,219	54	42960	HA54QA	\$ 5,847	54
42672	HA36FA	\$ 2,309	53	42963	HA60KA	\$ 5,325	53
42675	HA36FA	\$ 2,248	53	42966	HA60KA	\$ 4,983	53
42678	HA36FA	\$ 2,426	53	42969	HA60KA	\$ 5,252	53
42681	HA36FA	\$ 2,347	54	42972	HA60KA	\$ 5,161	54
42684	HA36HA	\$ 2,347	53	42975	HA60MA	\$ 5,020	53
42687	HA36HA	\$ 2,282	53	42981	HA60MA	\$ 5,069	54
42696	HA36HA	\$ 2,384	53	42984	HA60OA	\$ 5,047	53
42699	HA36HA	\$ 2,293	54	42990	HA60OA	\$ 5,521	54
42702	HA36JA	\$ 2,410	53	42996	HA60PA	\$ 5,482	53
42705	HA36JA	\$ 2,325	53	43005	HA60PA	\$ 5,725	54
◀ 42708	HA36JA	\$ 2,517	53	43011	HA60QA	\$ 7,028	53
◀ 42711	HA36JA	\$ 2,426	54	◀ 43017	HA60QA	\$ 6,506	54
42717	HA36KA	\$ 2,711	53	43020	HA60RA	\$ 7,085	53
42720	HA36KA	\$ 2,365	53	43026	HA60RA	\$ 8,104	54
◀ 42732	HA36KA	\$ 2,463	53				
◀ 42735	HA36KA	\$ 2,517	54	6			
42744	HA36MA	\$ 2,509	53	60002	MC42OS	\$ 970	31
42753	HA36MA	\$ 2,549	54	60007	EMC42D	\$ 869	31
42756	HA42FA	\$ 2,805	53	60019	EMC48B	\$ 1,740	32
42759	HA42FA	\$ 2,768	53	60025	MC42B	\$ 1,748	31
42762	HA42FA	\$ 2,919	53	60026	MC48B	\$ 2,129	31
42765	HA42FA	\$ 2,859	54	60031	AMF-30-B	\$ 1,185	25
42768	HA42HA	\$ 2,741	53	60034	AMF-30-1	\$ 1,009	25
42771	HA42HA	\$ 2,670	53	60470	DD3041	\$ 621	30
42774	HA42HA	\$ 2,785	53	60471	DD3641	\$ 744	30
42777	HA42HA	\$ 2,887	54	60472	36WDDF	\$ 1,667	29
42780	HA42JA	\$ 2,816	53	62000	Curb Hinge	\$ 172	71, 73, 75, 77, 78
42783	HA42JA	\$ 2,832	53	62001	Bird Screen	\$ 194	78
42786	HA42JA	\$ 3,028	53	62002	Bird Screen	\$ 194	75, 77, 78
42789	HA42JA	\$ 2,846	54	62003	Grease Box	\$ 194	75, 77, 78
42798	HA42KA	\$ 3,265	53				
42801	HA42KA	\$ 2,871	53				
42807	HA42KA	\$ 3,163	53				
◀ 42810	HA42KA	\$ 3,026	54	7			
42813	HA42MA	\$ 2,999	53	70001	DDMC24C	\$ 502	30
42816	HA42MA	\$ 3,037	54	70005	BDMC36C	\$ 720	32
42822	HA42OA	\$ 3,295	53	70013	I-1820TEM	\$ 226	13, 17
42825	HA42OA	\$ 3,509	54	70601	AMFW30K	\$ 82	10, 14, 18
42828	HA48HA	\$ 3,201	53	70740	I-18B	\$ 96	13, 18
42831	HA48HA	\$ 3,091	53	70761	AC30GSS	\$ 708	9, 28
42834	HA48HA	\$ 3,285	53	70763	AC30GW	\$ 205	28
42837	HA48HA	\$ 3,233	54	70764	PWIISS30	\$ 3,186	26
42840	HA48JA	\$ 3,058	53	70767	WWIISS30	\$ 2,808	26
42843	HA48JA	\$ 3,048	53	70771K	PED WACIW	\$ 1,793	27
42846	HA48JA	\$ 3,321	53	70773K	WACISWW	\$ 1,609	27
42849	HA48JA	\$ 3,247	54	70833	WWIISS20	\$ 2,123	26
42855	HA48KA	\$ 3,608	53	70834	PWIISS20	\$ 2,408	26
42858	HA48KA	\$ 3,282	53	70835	WWIISS24	\$ 2,498	26
42861	HA48KA	\$ 3,420	53	70836	PWIISS24	\$ 2,834	27
42864	HA48MA	\$ 3,340	54	70840	AC20GSS	\$ 466	28
42870	HA48MA	\$ 3,218	53	70841	AC24GSS	\$ 557	28
◀ 42876	HA48MA	\$ 3,341	54	70842	WGBS20	\$ 194	28
42882	HA48OA	\$ 3,467	53	70843	WGBS24	\$ 206	28



← EDP in Stock

Table Of Contents - Part Number Index

EDP Number	Catalog Number	List Price	Page	EDP Number	Catalog Number	List Price	Page
71000	C-1820G	\$ 115	9, 13, 19	81640	BCMA-305	\$ 1,599	86
71500	CA30HGPC	\$ 545	24	81642	BCMA-405	\$ 1,462	86
71501K	CA30HGPCWM	\$ 668	24	81645	Chain Actuator	\$ 230	86
71502K	CA30HGPCPB	\$ 777	24	85388	Switch	\$ 49	41, 45, 87
71503	CA30HGDCS	\$ 653	24	88202	Weather Cover	\$ 576	67
71504K	CA30HGDCSIB	\$ 855	24	88203	Weather Cover	\$ 726	67
71505K	CA30HGPCIB	\$ 747	24	88205	Weather Cover	\$ 897	67
71506K	CA30HGDCSPB	\$ 885	24	89576*	XRA-4	\$ 143	87
71507K	CA30HGDCWM	\$ 776	24	9			
71526	UPI-30PAZA (3-SP)	\$ 685	11	90783	TS631	\$ 252	80, 87
71531	LC30AP	\$ 376	20	91901	Starter Switch	\$ 843	39
71533	LC30WC	\$ 292	20	91902	Starter Switch	\$ 1,979	39
71565	I-24-OIW	\$ 716	12	91903	Starter Switch	\$ 1,989	39
71566	I-30-OIW	\$ 770	12	91904	Starter Switch	\$ 2,264	39
71567	I-24-OAP	\$ 788	12	94200	LE47 Fixed Intake Louver, 12"W X 18"H	\$ 381	83
71568	I-30-OAP	\$ 827	12	94201	LE47 Fixed Intake Louver, 12"W X 24"H	\$ 441	83
71572	CA24WC	\$ 403	15	94202	LE47 Fixed Intake Louver, 12"W X 30"H	\$ 519	83
71573	CA30WC	\$ 426	15	94203	LE47 Fixed Intake Louver, 12"W X 36"H	\$ 583	83
71580	CA24OAP	\$ 649	16	94204	LE47 Fixed Intake Louver, 12"W X 42"H	\$ 694	83
71581	CA30OAP	\$ 678	16	94205	LE47 Fixed Intake Louver, 12"W X 48"H	\$ 750	83
71582	CA30OW	\$ 511	16	94206	LE47 Fixed Intake Louver, 12"W X 54"H	\$ 835	83
71583	CA24OW	\$ 480	16	94207	LE47 Fixed Intake Louver, 12"W X 60"H	\$ 885	83
71584	CA24APE	\$ 514	15	94208	LE47 Fixed Intake Louver, 12"W X 66"H	\$ 959	83
71586	CA30APE	\$ 528	15	94209	LE47 Fixed Intake Louver, 12"W X 72"H	\$ 1,020	83
71590	CA24	\$ 376	15	94210	LE47 Fixed Intake Louver, 12"W X 78"H	\$ 1,096	83
71591	CA30	\$ 388	15	94211	LE47 Fixed Intake Louver, 12"W X 84"H	\$ 1,166	83
71610	24-IAC-MGBO	\$ 644	12	94212	LE47 Fixed Intake Louver, 12"W X 90"H	\$ 1,222	83
71725	I-24W2A (3-SP)	\$ 525	11	94213	LE47 Fixed Intake Louver, 12"W X 96"H	\$ 1,302	83
71726	I-30W2A (3-SP)	\$ 568	11	94214	LE47 Fixed Intake Louver, 18"W X 12"H	\$ 372	83
71760	UPI-24PAZA (3-SP)	\$ 646	11	94215	LE47 Fixed Intake Louver, 18"W X 30"H	\$ 642	83
72100	I-20B5	\$ 115	13, 18	94216	LE47 Fixed Intake Louver, 18"W X 36"H	\$ 743	83
72401	WGBS	\$ 222	28	94217	LE47 Fixed Intake Louver, 18"W X 42"H	\$ 831	83
72403	WGBW	\$ 142	28	94218	LE47 Fixed Intake Louver, 18"W X 48"H	\$ 890	83
72458	C-24B2	\$ 118	18	94219	LE47 Fixed Intake Louver, 18"W X 54"H	\$ 991	83
73001	PEDSS	\$ 222	28	94220	LE47 Fixed Intake Louver, 18"W X 60"H	\$ 1,055	83
73058	C-30B	\$ 129	18	94221	LE47 Fixed Intake Louver, 18"W X 66"H	\$ 1,151	83
73101	I-2030AP	\$ 78	13, 17	94222	LE47 Fixed Intake Louver, 18"W X 72"H	\$ 1,222	83
73103	I-2030NP	\$ 63	17	94223	LE47 Fixed Intake Louver, 18"W X 78"H	\$ 1,302	83
73300	I-24B2A2	\$ 118	13	94224	LE47 Fixed Intake Louver, 18"W X 84"H	\$ 1,387	83
73400	I-30B2A	\$ 129	13	94225	LE47 Fixed Intake Louver, 18"W X 90"H	\$ 1,453	83
75002	C-2030W	\$ 61	13, 17	94226	LE47 Fixed Intake Louver, 18"W X 96"H	\$ 1,554	83
75003	C-2030S	\$ 47	13, 17	94227	LE47 Fixed Intake Louver, 24"W X 18"H	\$ 507	83
75010	IAC-WBW	\$ 84	28	94228	LE47 Fixed Intake Louver, 24"W X 30"H	\$ 743	83
75011	C-2030BW	\$ 186	28	94229	LE47 Fixed Intake Louver, 24"W X 42"H	\$ 964	83
75014	C-2030NPW	\$ 89	28	94230	LE47 Fixed Intake Louver, 24"W X 54"H	\$ 1,151	83
77000	C-2030B	\$ 123	17	94231	LE47 Fixed Intake Louver, 24"W X 60"H	\$ 1,227	83
77001	BOS	\$ 377	28	94232	LE47 Fixed Intake Louver, 24"W X 66"H	\$ 1,345	83
78018	C-1A	\$ 294	17	94233	LE47 Fixed Intake Louver, 24"W X 72"H	\$ 1,422	83
78019	I-3A	\$ 366	13	94234	LE47 Fixed Intake Louver, 24"W X 78"H	\$ 1,528	83
78039	5B	\$ 1,009	28	94235	LE47 Fixed Intake Louver, 24"W X 84"H	\$ 1,630	83
78040	4G	\$ 1,393	28	94236	LE47 Fixed Intake Louver, 24"W X 90"H	\$ 1,700	83
78042	4H	\$ 1,657	28	94237	LE47 Fixed Intake Louver, 24"W X 96"H	\$ 1,826	83
78933	LC42BD	\$ 704	32	94238	LE47 Fixed Intake Louver, 30"W X 12"H	\$ 478	83
78938	LC36BD	\$ 579	32	94239	LE47 Fixed Intake Louver, 30"W X 18"H	\$ 614	83
78966	HFUB11	\$ 57	34	94240	LE47 Fixed Intake Louver, 30"W X 36"H	\$ 985	83
78967	UB180	\$ 134	34	94241	LE47 Fixed Intake Louver, 30"W X 42"H	\$ 1,096	83
78969	I-18HS	\$ 252	19	94242	LE47 Fixed Intake Louver, 30"W X 48"H	\$ 1,181	83
78970	I-20YM	\$ 210	19	94243	LE47 Fixed Intake Louver, 30"W X 54"H	\$ 1,298	83
78971	I-12YM	\$ 143	19	94244	LE47 Fixed Intake Louver, 30"W X 60"H	\$ 1,394	83
78972	I-18YM	\$ 198	19	94245	LE47 Fixed Intake Louver, 30"W X 66"H	\$ 1,535	83
78973	I-12LS	\$ 141	19	94246	LE47 Fixed Intake Louver, 30"W X 72"H	\$ 1,623	83
78974	I-18LS	\$ 194	19	94247	LE47 Fixed Intake Louver, 30"W X 78"H	\$ 1,735	83
78975	I-20LS	\$ 205	19	94248	LE47 Fixed Intake Louver, 30"W X 84"H	\$ 1,846	83
78984	I-18TELS	\$ 219	19	94249	LE47 Fixed Intake Louver, 30"W X 90"H	\$ 1,931	83
78985	I-12TELS	\$ 157	19	94250	LE47 Fixed Intake Louver, 30"W X 96"H	\$ 2,076	83
8				94251	LE47 Fixed Intake Louver, 36"W X 18"H	\$ 694	83
80111	Manual Chain Operator	\$ 206	41, 45, 48, 87	94252	LE47 Fixed Intake Louver, 36"W X 30"H	\$ 941	83
80112	Manual Chain Operator	\$ 468	48, 87	94253	LE47 Fixed Intake Louver, 36"W X 54"H	\$ 1,458	83
81636	Panel Crank	\$ 617	86	94254	LE47 Fixed Intake Louver, 36"W X 60"H	\$ 1,558	83
81637	MA6-405	\$ 7,229	86	94255	LE47 Fixed Intake Louver, 36"W X 66"H	\$ 1,725	83
81639	BCMA-419	\$ 2,421	86	94256	LE47 Fixed Intake Louver, 36"W X 72"H	\$ 1,830	83
				94257	LE47 Fixed Intake Louver, 36"W X 78"H	\$ 1,950	83



Table Of Contents - Part Number Index

EDP Number	Catalog Number	List Price	Page	EDP Number	Catalog Number	List Price	Page
94259	LE47 Fixed Intake Louver, 36"W X 84"H	\$ 2,076	83	94387	LE47 Fixed Intake Louver, 18"W X 24"H	\$ 513	83
94260	LE47 Fixed Intake Louver, 36"W X 90"H	\$ 2,177	83	94388	LE47A Adjustable Intake Louver, 18"W X 24"H	\$ 723	85
94261	LE47 Fixed Intake Louver, 36"W X 96"H	\$ 2,343	83	94390	LE47A Adjustable Intake Louver, 18"W X 42"H	\$ 1,156	85
94262	LE47 Fixed Intake Louver, 42"W X 12"H	\$ 618	83	94391	LE47 Fixed Intake Louver, 36"W X 12"H	\$ 528	83
94263	LE47 Fixed Intake Louver, 42"W X 18"H	\$ 754	83	94392	LE47A Adjustable Intake Louver, 36"W X 24"H	\$ 1,044	85
94264	LE47 Fixed Intake Louver, 42"W X 24"H	\$ 880	83	94393	LE47A Adjustable Intake Louver, 60"W X 96"H	\$ 4,631	86
94266	LE47 Fixed Intake Louver, 42"W X 30"H	\$ 1,032	83	94394	LE47A Adjustable Intake Louver, 24"W X 36"H	\$ 1,151	85
94269	LE47 Fixed Intake Louver, 42"W X 36"H	\$ 1,207	83	94395	LE47A Adjustable Intake Louver, 48"W X 24"H	\$ 1,227	86
94270	LE47 Fixed Intake Louver, 42"W X 48"H	\$ 1,462	83	94396	LE47A Adjustable Intake Louver, 60"W X 72"H	\$ 3,553	86
94273	LE47 Fixed Intake Louver, 42"W X 54"H	\$ 1,599	83	94399	LE47A Adjustable Intake Louver, 18"W X 48"H	\$ 1,311	85
94276	LE47 Fixed Intake Louver, 42"W X 60"H	\$ 1,713	83	94400	LE47A Adjustable Intake Louver, 18"W X 54"H	\$ 1,453	85
94278	LE47 Fixed Intake Louver, 42"W X 66"H	\$ 1,901	83	94401	LE47A Adjustable Intake Louver, 30"W X 36"H	\$ 1,277	85
94279	LE47 Fixed Intake Louver, 42"W X 72"H	\$ 2,016	83	94402	LE47A Adjustable Intake Louver, 48"W X 30"H	\$ 1,434	86
94282	Motor Kit	\$ 324	73, 75, 77	94403	LE47A Adjustable Intake Louver, 18"W X 60"H	\$ 1,563	85
94283	Motor Kit	\$ 324	71, 73, 75, 77, 78, 79	94404	LE47A Adjustable Intake Louver, 18"W X 66"H	\$ 1,674	85
94284	LE47 Fixed Intake Louver, 72"W X 48"H	\$ 2,398	84	94405	LE47A Adjustable Intake Louver, 48"W X 72"H	\$ 1,779	85
94289	LE47 Fixed Intake Louver, 54"W X 54"H	\$ 2,032	83	94406	LE47A Adjustable Intake Louver, 18"W X 78"H	\$ 1,916	85
94293	LE47 Fixed Intake Louver, 36"W X 42"H	\$ 1,217	83	94411	LE47A Adjustable Intake Louver, 18"W X 84"H	\$ 2,049	85
94296	LE47 Fixed Intake Louver, 24"W X 12"H	\$ 428	83	94413	LE47A Adjustable Intake Louver, 18"W X 12"H	\$ 487	85
94303	LE47 Fixed Intake Louver, 48"W X 60"H	\$ 1,901	83	94415	LE47A Adjustable Intake Louver, 42"W X 18"H	\$ 959	86
94304	LE47 Fixed Intake Louver, 48"W X 48"H	\$ 1,614	83	94421	LE47A Adjustable Intake Louver, 18"W X 90"H	\$ 2,207	85
94306	LE47 Fixed Intake Louver, 48"W X 36"H	\$ 1,327	83	94422	LE47A Adjustable Intake Louver, 18"W X 96"H	\$ 2,323	85
94308	LE47 Fixed Intake Louver, 42"W X 42"H	\$ 1,345	83	94423	LE47A Adjustable Intake Louver, 24"W X 12"H	\$ 541	85
94310	LE47 Fixed Intake Louver, 36"W X 48"H	\$ 1,322	83	94424	LE47A Adjustable Intake Louver, 24"W X 42"H	\$ 1,302	85
94311	LE47 Fixed Intake Louver, 36"W X 36"H	\$ 1,099	83	94425	LE47A Adjustable Intake Louver, 24"W X 48"H	\$ 1,484	85
94312	LE47 Fixed Intake Louver, 30"W X 30"H	\$ 844	83	94426	LE47A Adjustable Intake Louver, 24"W X 54"H	\$ 1,630	85
94313	LE47 Fixed Intake Louver, 24"W X 48"H	\$ 1,044	83	94427	LE47A Adjustable Intake Louver, 24"W X 60"H	\$ 1,750	85
94314	LE47 Fixed Intake Louver, 24"W X 36"H	\$ 859	83	94428	LE47A Adjustable Intake Louver, 24"W X 66"H	\$ 1,869	85
94315	LE47 Fixed Intake Louver, 24"W X 24"H	\$ 633	83	94429	LE47A Adjustable Intake Louver, 24"W X 72"H	\$ 1,990	85
94318	LE47 Fixed Intake Louver, 18"W X 18"H	\$ 441	83	94430	LE47A Adjustable Intake Louver, 24"W X 78"H	\$ 2,161	85
94322	LE47 Fixed Intake Louver, 12"W X 12"H	\$ 323	83	94431	LE47A Adjustable Intake Louver, 24"W X 84"H	\$ 2,303	85
94328	LE47A Adjustable Intake Louver, 60"W X 60"H	\$ 3,112	86	94432	LE47A Adjustable Intake Louver, 24"W X 90"H	\$ 2,479	85
94329	LE47A Adjustable Intake Louver, 60"W X 42"H	\$ 2,271	86	94433	LE47A Adjustable Intake Louver, 24"W X 96"H	\$ 2,604	85
94330	LE47A Adjustable Intake Louver, 60"W X 48"H	\$ 2,589	86	94434	LE47A Adjustable Intake Louver, 30"W X 12"H	\$ 599	85
94331	LE47A Adjustable Intake Louver, 54"W X 54"H	\$ 2,720	86	94435	LE47A Adjustable Intake Louver, 30"W X 18"H	\$ 798	85
94334	LE47A Adjustable Intake Louver, 48"W X 72"H	\$ 2,836	86	94436	LE47A Adjustable Intake Louver, 30"W X 42"H	\$ 1,434	85
94335	LE47A Adjustable Intake Louver, 48"W X 60"H	\$ 2,483	86	94437	LE47A Adjustable Intake Louver, 30"W X 48"H	\$ 1,630	85
94336	LE47A Adjustable Intake Louver, 48"W X 48"H	\$ 2,103	86	94438	LE47A Adjustable Intake Louver, 30"W X 54"H	\$ 1,790	85
94338	LE47A Adjustable Intake Louver, 48"W X 36"H	\$ 1,646	86	94439	LE47A Adjustable Intake Louver, 30"W X 60"H	\$ 1,925	85
94339	LE47A Adjustable Intake Louver, 42"W X 42"H	\$ 1,700	86	94440	LE47A Adjustable Intake Louver, 30"W X 66"H	\$ 2,061	85
94340	LE47A Adjustable Intake Louver, 42"W X 30"H	\$ 1,327	86	94441	LE47A Adjustable Intake Louver, 30"W X 72"H	\$ 2,197	85
94342	LE47A Adjustable Intake Louver, 36"W X 60"H	\$ 2,121	86	94442	LE47A Adjustable Intake Louver, 30"W X 78"H	\$ 2,379	85
94343	LE47A Adjustable Intake Louver, 36"W X 48"H	\$ 1,793	86	94443	LE47A Adjustable Intake Louver, 30"W X 84"H	\$ 2,534	85
94344	LE47A Adjustable Intake Louver, 36"W X 36"H	\$ 1,409	86	94445	LE47A Adjustable Intake Louver, 30"W X 90"H	\$ 2,720	85
94345	LE47A Adjustable Intake Louver, 36"W X 72"H	\$ 2,426	86	94446	LE47A Adjustable Intake Louver, 30"W X 96"H	\$ 2,864	85
94346	LE47A Adjustable Intake Louver, 36"W X 30"H	\$ 1,232	85	94447	LE47A Adjustable Intake Louver, 36"W X 12"H	\$ 653	85
94347	LE47A Adjustable Intake Louver, 36"W X 18"H	\$ 890	85	94448	LE47A Adjustable Intake Louver, 36"W X 42"H	\$ 1,572	85
94349	LE47 Fixed Intake Louver, 36"W X 24"H	\$ 805	83	94449	LE47A Adjustable Intake Louver, 36"W X 54"H	\$ 1,976	86
94350	LE47A Adjustable Intake Louver, 30"W X 30"H	\$ 1,121	85	94450	LE47A Adjustable Intake Louver, 36"W X 66"H	\$ 2,271	86
94351	LE47A Adjustable Intake Louver, 30"W X 24"H	\$ 952	85	94451	LE47A Adjustable Intake Louver, 36"W X 78"H	\$ 2,625	86
94353	LE47A Adjustable Intake Louver, 18"W X 36"H	\$ 1,027	85	94452	LE47A Adjustable Intake Louver, 36"W X 84"H	\$ 2,794	86
94354	LE47A Adjustable Intake Louver, 24"W X 30"H	\$ 1,009	85	94453	LE47A Adjustable Intake Louver, 36"W X 90"H	\$ 3,006	86
94355	LE47A Adjustable Intake Louver, 24"W X 24"H	\$ 859	85	94454	LE47A Adjustable Intake Louver, 36"W X 96"H	\$ 3,161	86
94356	LE47A Adjustable Intake Louver, 24"W X 18"H	\$ 689	85	94455	LE47A Adjustable Intake Louver, 42"W X 12"H	\$ 750	86
94361	LE47A Adjustable Intake Louver, 12"W X 18"H	\$ 550	85	94456	LE47A Adjustable Intake Louver, 42"W X 24"H	\$ 1,133	86
94363	LE47A Adjustable Intake Louver, 18"W X 18"H	\$ 614	85	94457	LE47A Adjustable Intake Louver, 42"W X 36"H	\$ 1,519	86
94364	LE47A Adjustable Intake Louver, 12"W X 36"H	\$ 859	85	94458	LE47A Adjustable Intake Louver, 42"W X 48"H	\$ 1,941	86
94365	LE47A Adjustable Intake Louver, 12"W X 24"H	\$ 651	85	94459	LE47A Adjustable Intake Louver, 42"W X 54"H	\$ 2,127	86
94366	LE47A Adjustable Intake Louver, 12"W X 12"H	\$ 439	85	94460	LE47A Adjustable Intake Louver, 42"W X 60"H	\$ 2,292	86
94367	LE47A Adjustable Intake Louver, 12"W X 30"H	\$ 763	85	94461	LE47A Adjustable Intake Louver, 42"W X 66"H	\$ 2,446	86
94368	LE47A Adjustable Intake Louver, 12"W X 42"H	\$ 1,020	85	94462	LE47A Adjustable Intake Louver, 42"W X 72"H	\$ 2,616	86
94369	LE47A Adjustable Intake Louver, 12"W X 48"H	\$ 1,166	85	94463	LE47A Adjustable Intake Louver, 42"W X 78"H	\$ 2,831	86
94370	LE47A Adjustable Intake Louver, 12"W X 54"H	\$ 1,292	85	94464	LE47A Adjustable Intake Louver, 42"W X 84"H	\$ 3,018	86
94375	LE47A Adjustable Intake Louver, 18"W X 30"H	\$ 899	85	94465	LE47A Adjustable Intake Louver, 42"W X 90"H	\$ 3,258	86
94377	LE47 Fixed Intake Louver, 30"W X 24"H	\$ 719	83	94466	LE47A Adjustable Intake Louver, 42"W X 96"H	\$ 3,419	86
94378	LE47A Adjustable Intake Louver, 12"W X 60"H	\$ 1,375	85	94467	LE47A Adjustable Intake Louver, 48"W X 12"H	\$ 809	86
94379	LE47A Adjustable Intake Louver, 12"W X 66"H	\$ 1,484	85	94468	LE47A Adjustable Intake Louver, 48"W X 18"H	\$ 1,032	86
94380	LE47A Adjustable Intake Louver, 12"W X 72"H	\$ 1,578	85	94469	LE47A Adjustable Intake Louver, 48"W X 42"H	\$ 1,851	86
94381	LE47A Adjustable Intake Louver, 12"W X 78"H	\$ 1,703	85	94470	LE47A Adjustable Intake Louver, 48"W X 54"H	\$ 2,308	86
94382	LE47A Adjustable Intake Louver, 12"W X 84"H	\$ 1,821	85	94474	LE47A Adjustable Intake Louver, 48"W X 66"H	\$ 2,662	86
94383	LE47A Adjustable Intake Louver, 12"W X 90"H	\$ 1,965	85	94478	LE47A Adjustable Intake Louver, 48"W X 78"H	\$ 3,082	86
94385	LE47A Adjustable Intake Louver, 12"W X 96"H	\$ 2,067	85	94479	LE47A Adjustable Intake Louver, 48"W X 84"H	\$ 3,283	86



← EDP in Stock

Table Of Contents - Part Number Index

EDP Number	Catalog Number	List Price	Page	EDP Number	Catalog Number	List Price	Page
94480	LE47A Adjustable Intake Louver, 48"W X 90"H	\$ 3,535	86	94561	LE47 Fixed Intake Louver, 66"W X 18"H	\$ 1,156	84
94481	LE47A Adjustable Intake Louver, 48"W X 96"H	\$ 3,715	86	94562	LE47 Fixed Intake Louver, 66"W X 24"H	\$ 1,345	84
94482	LE47A Adjustable Intake Louver, 54"W X 12"H	\$ 941	86	94563	LE47 Fixed Intake Louver, 66"W X 30"H	\$ 1,567	84
94483	LE47A Adjustable Intake Louver, 54"W X 18"H	\$ 1,217	86	94564	LE47 Fixed Intake Louver, 66"W X 36"H	\$ 1,866	84
94484	LE47A Adjustable Intake Louver, 54"W X 24"H	\$ 1,427	86	94565	LE47 Fixed Intake Louver, 66"W X 42"H	\$ 2,071	84
94485	LE47A Adjustable Intake Louver, 54"W X 30"H	\$ 1,658	86	94566	LE47 Fixed Intake Louver, 66"W X 48"H	\$ 2,262	84
94486	LE47A Adjustable Intake Louver, 54"W X 36"H	\$ 1,911	86	94567	LE47 Fixed Intake Louver, 66"W X 54"H	\$ 2,490	84
94487	LE47A Adjustable Intake Louver, 54"W X 42"H	\$ 2,137	86	94568	LE47 Fixed Intake Louver, 66"W X 60"H	\$ 2,680	84
94488	LE47A Adjustable Intake Louver, 54"W X 48"H	\$ 2,434	86	94569	LE47 Fixed Intake Louver, 66"W X 66"H	\$ 2,975	84
94489	LE47A Adjustable Intake Louver, 54"W X 60"H	\$ 2,931	86	94570	LE47 Fixed Intake Louver, 66"W X 72"H	\$ 3,159	84
94490	LE47A Adjustable Intake Louver, 54"W X 66"H	\$ 3,137	86	94571	LE47 Fixed Intake Louver, 66"W X 78"H	\$ 3,359	84
94491	LE47A Adjustable Intake Louver, 54"W X 72"H	\$ 3,343	86	94572	LE47 Fixed Intake Louver, 66"W X 84"H	\$ 3,564	84
94494	LE47A Adjustable Intake Louver, 54"W X 78"H	\$ 3,619	86	94573	LE47 Fixed Intake Louver, 66"W X 90"H	\$ 3,740	84
94495	LE47A Adjustable Intake Louver, 54"W X 84"H	\$ 3,846	86	94574	LE47 Fixed Intake Louver, 66"W X 96"H	\$ 4,038	84
94496	LE47A Adjustable Intake Louver, 54"W X 90"H	\$ 4,144	86	94575	LE47 Fixed Intake Louver, 72"W X 12"H	\$ 980	84
94497	LE47A Adjustable Intake Louver, 54"W X 96"H	\$ 4,355	86	94576	LE47 Fixed Intake Louver, 72"W X 18"H	\$ 1,217	84
94498	LE47A Adjustable Intake Louver, 60"W X 12"H	\$ 995	86	94577	LE47 Fixed Intake Louver, 72"W X 24"H	\$ 1,419	84
94499	LE47A Adjustable Intake Louver, 60"W X 18"H	\$ 1,292	86	94578	LE47 Fixed Intake Louver, 72"W X 30"H	\$ 1,655	84
94500	LE47A Adjustable Intake Louver, 60"W X 24"H	\$ 1,513	86	94579	LE47 Fixed Intake Louver, 72"W X 36"H	\$ 1,976	84
94501	LE47A Adjustable Intake Louver, 60"W X 30"H	\$ 1,768	86	94580	LE47 Fixed Intake Louver, 72"W X 42"H	\$ 2,193	84
94502	LE47A Adjustable Intake Louver, 60"W X 36"H	\$ 2,032	86	94581	LE47 Fixed Intake Louver, 72"W X 48"H	\$ 2,640	84
94503	LE47A Adjustable Intake Louver, 60"W X 42"H	\$ 2,285	86	94582	LE47 Fixed Intake Louver, 72"W X 54"H	\$ 2,839	84
94504	LE47A Adjustable Intake Louver, 60"W X 48"H	\$ 3,334	86	94583	LE47 Fixed Intake Louver, 72"W X 60"H	\$ 3,159	84
94505	LE47A Adjustable Intake Louver, 60"W X 54"H	\$ 3,853	86	94584	LE47 Fixed Intake Louver, 72"W X 66"H	\$ 3,361	84
94506	LE47A Adjustable Intake Louver, 60"W X 60"H	\$ 4,092	86	94585	LE47 Fixed Intake Louver, 72"W X 72"H	\$ 3,569	84
94507	LE47A Adjustable Intake Louver, 60"W X 66"H	\$ 4,405	86	94586	LE47 Fixed Intake Louver, 72"W X 78"H	\$ 3,779	84
94508	LE47 Fixed Intake Louver, 42"W X 78"H	\$ 2,153	83	94587	LE47 Fixed Intake Louver, 72"W X 84"H	\$ 3,975	84
94509	LE47 Fixed Intake Louver, 42"W X 84"H	\$ 2,292	83	94588	LE47 Fixed Intake Louver, 72"W X 90"H	\$ 4,294	84
94510	LE47 Fixed Intake Louver, 42"W X 90"H	\$ 2,414	83	94589	LE47 Fixed Intake Louver, 78"W X 12"H	\$ 1,042	84
94511	LE47 Fixed Intake Louver, 42"W X 96"H	\$ 2,594	83	94590	LE47 Fixed Intake Louver, 78"W X 18"H	\$ 1,287	84
94512	LE47 Fixed Intake Louver, 48"W X 12"H	\$ 675	83	94591	LE47 Fixed Intake Louver, 78"W X 24"H	\$ 1,493	84
94513	LE47 Fixed Intake Louver, 48"W X 18"H	\$ 826	83	94592	LE47 Fixed Intake Louver, 78"W X 30"H	\$ 1,747	84
94514	LE47 Fixed Intake Louver, 48"W X 24"H	\$ 970	83	94593	LE47 Fixed Intake Louver, 78"W X 36"H	\$ 2,087	84
94515	LE47 Fixed Intake Louver, 48"W X 30"H	\$ 1,126	83	94594	LE47 Fixed Intake Louver, 78"W X 42"H	\$ 2,313	84
94516	LE47 Fixed Intake Louver, 48"W X 36"H	\$ 1,489	83	94595	LE47 Fixed Intake Louver, 78"W X 48"H	\$ 2,534	84
94517	LE47 Fixed Intake Louver, 48"W X 42"H	\$ 1,821	83	94596	LE47 Fixed Intake Louver, 78"W X 54"H	\$ 2,791	84
94518	LE47 Fixed Intake Louver, 48"W X 48"H	\$ 2,103	83	94597	LE47 Fixed Intake Louver, 78"W X 60"H	\$ 3,006	84
94519	LE47 Fixed Intake Louver, 48"W X 54"H	\$ 2,238	83	94598	LE47 Fixed Intake Louver, 78"W X 66"H	\$ 3,349	84
94520	LE47 Fixed Intake Louver, 48"W X 60"H	\$ 2,392	83	94599	LE47 Fixed Intake Louver, 78"W X 72"H	\$ 3,562	84
94521	LE47 Fixed Intake Louver, 48"W X 66"H	\$ 2,547	83	94600	LE47 Fixed Intake Louver, 78"W X 78"H	\$ 3,786	84
94522	LE47 Fixed Intake Louver, 48"W X 72"H	\$ 2,674	83	94601	LE47 Fixed Intake Louver, 78"W X 84"H	\$ 3,997	84
94523	LE47 Fixed Intake Louver, 48"W X 78"H	\$ 2,885	83	94602	LE47 Fixed Intake Louver, 78"W X 90"H	\$ 4,208	84
94524	LE47 Fixed Intake Louver, 48"W X 84"H	\$ 2,885	83	94603	LE47 Fixed Intake Louver, 78"W X 96"H	\$ 4,547	84
94525	LE47 Fixed Intake Louver, 54"W X 12"H	\$ 743	83	94604	LE47 Fixed Intake Louver, 84"W X 12"H	\$ 1,090	84
94526	LE47 Fixed Intake Louver, 54"W X 18"H	\$ 915	83	94605	LE47 Fixed Intake Louver, 84"W X 18"H	\$ 1,347	84
94527	LE47 Fixed Intake Louver, 54"W X 24"H	\$ 1,071	83	94606	LE47 Fixed Intake Louver, 84"W X 24"H	\$ 1,578	84
94528	LE47 Fixed Intake Louver, 54"W X 30"H	\$ 1,245	83	94607	LE47 Fixed Intake Louver, 84"W X 30"H	\$ 1,840	84
94529	LE47 Fixed Intake Louver, 54"W X 36"H	\$ 1,489	83	94608	LE47 Fixed Intake Louver, 84"W X 36"H	\$ 2,203	84
94530	LE47 Fixed Intake Louver, 54"W X 42"H	\$ 1,655	83	94609	LE47 Fixed Intake Louver, 84"W X 42"H	\$ 2,444	84
94531	LE47 Fixed Intake Louver, 54"W X 48"H	\$ 1,804	83	94610	LE47 Fixed Intake Louver, 84"W X 48"H	\$ 2,671	84
94532	LE47 Fixed Intake Louver, 54"W X 54"H	\$ 2,186	83	94611	LE47 Fixed Intake Louver, 84"W X 54"H	\$ 2,948	84
94533	LE47 Fixed Intake Louver, 54"W X 60"H	\$ 2,426	83	94612	LE47 Fixed Intake Louver, 84"W X 60"H	\$ 3,176	84
94534	LE47 Fixed Intake Louver, 54"W X 66"H	\$ 2,579	84	94613	LE47 Fixed Intake Louver, 84"W X 66"H	\$ 3,540	84
94535	LE47 Fixed Intake Louver, 54"W X 72"H	\$ 2,757	84	94614	LE47 Fixed Intake Louver, 84"W X 72"H	\$ 3,762	84
94536	LE47 Fixed Intake Louver, 54"W X 78"H	\$ 2,926	84	94615	LE47 Fixed Intake Louver, 84"W X 78"H	\$ 4,007	84
94537	LE47 Fixed Intake Louver, 54"W X 84"H	\$ 3,066	84	94616	LE47 Fixed Intake Louver, 84"W X 84"H	\$ 4,278	84
94538	LE47 Fixed Intake Louver, 54"W X 90"H	\$ 3,313	84	94617	LE47 Fixed Intake Louver, 84"W X 90"H	\$ 4,520	84
94539	LE47 Fixed Intake Louver, 60"W X 12"H	\$ 798	84	94618	LE47 Fixed Intake Louver, 84"W X 96"H	\$ 4,887	84
94540	LE47 Fixed Intake Louver, 60"W X 18"H	\$ 985	84	94619	LE47 Fixed Intake Louver, 90"W X 12"H	\$ 1,151	84
94541	LE47 Fixed Intake Louver, 60"W X 24"H	\$ 1,151	84	94620	LE47 Fixed Intake Louver, 90"W X 18"H	\$ 1,412	84
94542	LE47 Fixed Intake Louver, 60"W X 30"H	\$ 1,355	84	94621	LE47 Fixed Intake Louver, 90"W X 24"H	\$ 1,655	84
94543	LE47 Fixed Intake Louver, 60"W X 36"H	\$ 1,603	84	94622	LE47 Fixed Intake Louver, 90"W X 30"H	\$ 1,925	84
94544	LE47 Fixed Intake Louver, 60"W X 42"H	\$ 1,790	84	94623	LE47 Fixed Intake Louver, 90"W X 36"H	\$ 2,313	84
94545	LE47 Fixed Intake Louver, 60"W X 48"H	\$ 1,947	84	94624	LE47 Fixed Intake Louver, 90"W X 42"H	\$ 2,562	84
94546	LE47 Fixed Intake Louver, 60"W X 54"H	\$ 2,192	84	94625	LE47 Fixed Intake Louver, 90"W X 48"H	\$ 2,799	84
94547	LE47 Fixed Intake Louver, 60"W X 60"H	\$ 2,359	84	94626	LE47 Fixed Intake Louver, 90"W X 54"H	\$ 3,093	84
94548	LE47 Fixed Intake Louver, 60"W X 66"H	\$ 2,620	84	94627	LE47 Fixed Intake Louver, 90"W X 60"H	\$ 3,334	84
94549	LE47 Fixed Intake Louver, 60"W X 72"H	\$ 2,784	84	94628	LE47 Fixed Intake Louver, 90"W X 66"H	\$ 3,720	84
94550	LE47 Fixed Intake Louver, 60"W X 78"H	\$ 2,973	84	94629	LE47 Fixed Intake Louver, 90"W X 72"H	\$ 3,953	84
94551	LE47 Fixed Intake Louver, 60"W X 84"H	\$ 3,159	84	94630	LE47 Fixed Intake Louver, 90"W X 78"H	\$ 4,223	84
94552	LE47 Fixed Intake Louver, 60"W X 90"H	\$ 3,313	84	94631	LE47 Fixed Intake Louver, 90"W X 84"H	\$ 4,510	84
94553	LE47 Fixed Intake Louver, 60"W X 96"H	\$ 3,579	84	94632	LE47 Fixed Intake Louver, 90"W X 90"H	\$ 4,746	84
94554	LE47 Fixed Intake Louver, 66"W X 12"H	\$ 931	84				



Table Of Contents - Part Number Index

EDP Number	Catalog Number	List Price	Page
94642	LE47 Fixed Intake Louver, 90"W X 96"H	\$ 5,134	84
94643	LE47 Fixed Intake Louver, 96"W X 12"H	\$ 1,201	84
94644	LE47 Fixed Intake Louver, 96"W X 18"H	\$ 1,473	84
94645	LE47 Fixed Intake Louver, 96"W X 24"H	\$ 1,729	84
94646	LE47 Fixed Intake Louver, 96"W X 30"H	\$ 2,016	84
94647	LE47 Fixed Intake Louver, 96"W X 36"H	\$ 2,418	84
94648	LE47 Fixed Intake Louver, 96"W X 42"H	\$ 2,710	84
94649	LE47 Fixed Intake Louver, 96"W X 48"H	\$ 2,963	84
94650	LE47 Fixed Intake Louver, 96"W X 54"H	\$ 3,242	84
94651	LE47 Fixed Intake Louver, 96"W X 60"H	\$ 3,499	84
94652	LE47 Fixed Intake Louver, 96"W X 66"H	\$ 3,917	84
94653	LE47 Fixed Intake Louver, 96"W X 72"H	\$ 3,009	84
94654	LE47 Fixed Intake Louver, 96"W X 78"H	\$ 4,433	84
94655	LE47 Fixed Intake Louver, 96"W X 84"H	\$ 4,732	84
94656	LE47 Fixed Intake Louver, 96"W X 90"H	\$ 4,981	84
94660	LE47 Fixed Intake Louver, 96"W X 96"H	\$ 5,394	84
95100	HA24	\$ 1,149	53
95104	HA30	\$ 1,339	53
95108	HA36	\$ 1,532	53
95112	HA42	\$ 2,012	53
95116	HA48	\$ 2,265	53
95120	HA54	\$ 3,351	53
95124	HA60	\$ 3,574	53
99790	A-LXP Kit 1	\$ 383	80
99794	ASXP Kit	\$ 368	80
99915	WH24	\$ 930	48, 51, 55, 58
99916	WH30	\$ 1,159	48, 51, 55, 58
99917	WH36	\$ 1,434	48, 51, 55, 58
99918	WH54	\$ 2,281	55, 58
99919	WH60	\$ 2,487	55, 58
99921	WH42	\$ 1,674	48, 51, 55, 58
99923	WH48	\$ 1,846	48, 51, 55, 58



◀ = EDP in Stock

Table Of Contents - Part Number Index



Airmaster Sales Representatives

STATE		AGENCY	MARKET	BUSINESS PHONE #	EMAIL
Alabama		Suncoast Marketing	Industrial, Electrical, HVAC	(727) 724-1916	suncoast84@earthlink.net
Alaska		Northcoast Sales Agency	Industrial, HVAC	(503) 657-9427	gene@ncsalesagency.com
		Contact Factory	Electrical	(517) 764-2300	sales@airmasterfan.com
Arizona		Synergy Marketing	Industrial, Electrical, HVAC	(916) 779-7600	sales@synergymarketingsales.com
Arkansas		Belmont Enterprises	Industrial, Electrical	(713) 673-4000	customer.service@bereps.com
		Contact Factory	HVAC	(517) 764-2300	sales@airmasterfan.com
California		Synergy Marketing	Industrial, Electrical, HVAC	(916) 779-7600	sales@synergymarketingsales.com
Colorado		Hammer Sales	Industrial, Electrical, HVAC	(303) 280-4955	pmolitoris@yahoo.com
Connecticut		Cutler Industrial Sales	Industrial	(631) 277-4930	info@cutlersales.com
		New England Electrical	Electrical, HVAC	(603) 434-6705	stevangelier@comcast.net
Delaware		Joseph M. Hayden Associates	Industrial	(800) 541-0768	haydenassoc@verizon.net
		Kunz Powell	Electrical	(610) 722-5701	brendanpowell@kunz-powell.com
		Contact Factory	HVAC	(517) 764-2300	sales@airmasterfan.com
Florida		Suncoast Marketing	Industrial, Electrical, HVAC	(727) 724-1916	suncoast84@earthlink.net
Guam		Synergy Marketing	Industrial, Electrical, HVAC	(916) 779-7600	sales@synergymarketingsales.com
Georgia		Suncoast Marketing	Industrial, Electrical, HVAC	(727) 724-1916	suncoast84@earthlink.net
Hawaii		Synergy Marketing	Industrial, Electrical, HVAC	(916) 779-7600	sales@synergymarketingsales.com
Idaho	<i>North & West</i>	Northcoast Sales Agency	Industrial	(503) 657-9427	gene@ncsalesagency.com
	<i>North & West</i>	M.H. Gerrard	Electrical	(360) 993-1977	insidesales@mhgerrard.com
	<i>South & East</i>	Main & Gamble Marketing	Industrial, Electrical	(801) 726-1314	fielding.chad@gmail.com
		TWC Products	HVAC	(801) 381-5625	guywilcox@gmail.com
Illinois	<i>North</i>	Gaudian Industrial	Industrial, Electrical, HVAC	(630) 410-2030	gaudianinc@aol.com
	<i>South</i>	Belmont Enterprises (Rock Island/Henry Counties)	Industrial	(713) 673-4000	customer.service@bereps.com
	<i>South</i>	Schaeffer Marketing Group	Electrical	(314) 894-1100	salesdesk@smgprep.com
Indiana		InCon Marketing	Industrial, Electrical, HVAC	(937) 299-8637	jack@inconmarketing.com
		Gaudian Industrial (Lake/Porter Counties)	Industrial, Electrical, HVAC	(630) 410-2030	gaudianinc@aol.com
Iowa		Belmont Enterprises	Industrial	(713) 673-4000	customer.service@bereps.com
		Sharp Sales & Engineering	Electrical, HVAC	(402) 677-6774	sales@sharpsales.net
Kansas		Belmont Enterprises	Industrial, Electrical	(713) 673-4000	customer.service@bereps.com
		Contact Factory	HVAC	(517) 764-2300	sales@airmasterfan.com
Kentucky		InCon Marketing (Boone/Kenton/Campbell Counties)	Industrial, Electrical, HVAC	(937) 299-8637	jack@inconmarketing.com
		GM Sales	Electrical	(502) 412-4181	don@gm-sales.com
Louisiana		Belmont Enterprises	Industrial, Electrical	(713) 673-4000	customer.service@bereps.com
		Contact Factory	HVAC	(517) 764-2300	sales@airmasterfan.com
Maine		Cutler Industrial Sales	Industrial	(631) 277-4930	info@cutlersales.com
		New England Electrical	Electrical, HVAC	(603) 434-6705	stevangelier@comcast.net
Maryland		Joseph M. Hayden Associates	Industrial	(800) 541-0768	haydenassoc@verizon.net
		Contact Factory	Electrical, HVAC	(517) 764-2300	sales@airmasterfan.com
Massachusetts		Cutler Industrial Sales	Industrial	(631) 277-4930	info@cutlersales.com
		New England Electrical	Electrical, HVAC	(603) 434-6705	stevangelier@comcast.net
Michigan	<i>Lower</i>	E.H. & Associates	Industrial	(248) 869-2100	sales@edhoweandassociates.com
	<i>Lower</i>	Premier Electrical Sales	Electrical	(517) 783-6020	pssg@ameritech.net
	<i>Western U.P.</i>	Gaudian Industrial	Industrial, HVAC	(630) 410-2030	gaudianinc@aol.com
	<i>Western U.P.</i>	Electrical Solutions Plus, Inc.	Electrical	(414) 321-8509	info@esplus-inc.com
		Contact Factory	HVAC	(517) 764-2300	sales@airmasterfan.com
Minnesota		Pioneer Sales Group	Industrial, Electrical	(763) 546-6880	salesinfo@pioneersalesgroup.com
		Contact Factory	HVAC	(517) 764-2300	sales@airmasterfan.com
Mississippi		Belmont Enterprises	Industrial, Electrical	(713) 673-4000	customer.service@bereps.com
		Contact Factory	HVAC	(517) 764-2300	sales@airmasterfan.com
Missouri	<i>East</i>	Belmont Enterprises	Industrial	(713) 673-4000	customer.service@bereps.com
	<i>East</i>	Schaeffer Marketing Group	Electrical	(314) 894-1100	salesdesk@smgprep.com
	<i>West</i>	Belmont Enterprises	Electrical	(713) 673-4000	customer.service@bereps.com
		Contact Factory	HVAC	(517) 764-2300	sales@airmasterfan.com
Montana	<i>West</i>	Main & Gamble	Industrial, Electrical	(801) 726-1314	fielding.chad@gmail.com
	<i>East</i>	Hammer Sales LLC	Industrial, Electrical, HVAC	(303) 280-4955	pmolitoris@yahoo.com
Nebraska		Belmont Enterprises	Industrial	(713) 673-4000	customer.service@bereps.com
		Sharp Sales & Engineering	Electrical, HVAC	(402) 677-6774	sales@sharpsales.net
Nevada		Synergy Marketing	Industrial, Electrical, HVAC	(916) 779-7600	sales@synergymarketingsales.com
		TWC Products	HVAC	(801) 381-5625	guywilcox@gmail.com



Airmaster Sales Representatives

STATE		AGENCY	MARKET	BUSINESS PHONE #	EMAIL
New Hampshire		Cutler Industrial Sales	Industrial	(631) 277-4930	info@cutlersales.com
		New England Electrical	Electrical, HVAC	(603) 434-6705	stevangelier@comcast.net
New Jersey	<i>North</i>	Cutler Industrial	Industrial	(631) 277-4930	info@cutlersales.com
	<i>North</i>	Moriarty Sales	Electrical, HVAC	(631) 471-3055	sales@moriartysales.com
	<i>South</i>	Joseph M. Hayden Associates	Industrial	(800) 541-0768	haydenassoc@verizon.net
	<i>South</i>	Kunz Powell	Electrical	(610) 722-5701	rendanpowell@kunz-powell.com
New Mexico		Belmont Enterprises	Industrial, Electrical	(713) 673-4000	customer.service@bereps.com
		Contact Factory	HVAC	(517) 764-2300	sales@airmasterfan.com
New York	<i>North</i>	Mills Talbot	Industrial, Electrical	(315) 637-0511	ttalbot@millstalbot.com
	<i>South</i>	Cutler Industrial Sales	Industrial	(631) 277-4930	info@cutlersales.com
	<i>South</i>	Moriarty Sales	Electrical, HVAC	(631) 471-3055	sales@moriartysales.com
North Carolina		Ron Wallace & Associates	Industrial, Electrical	(803) 222-3562	rwmktg@rwmktg.com
		Contact Factory	HVAC	(517) 764-2300	sales@airmasterfan.com
North Dakota		Pioneer Sales Group	Industrial, Electrical	(763) 546-6880	salesinfo@pioneersalesgroup.com
		Contact Factory	HVAC	(517) 764-2300	sales@airmasterfan.com
Ohio		InCon Marketing	Industrial, Electrical, HVAC	(937) 299-8637	jack@inconmarketing.com
Oklahoma		Belmont Enterprises	Industrial, Electrical	(713) 673-4000	customer.service@bereps.com
		Contact Factory	HVAC	(517) 764-2300	sales@airmasterfan.com
Oregon		Northcoast Sales Agency	Industrial, HVAC	(503) 657-9427	gene@ncsalesagency.com
		M.H. Gerrard	Electrical	(360) 993-1977	insidesales@mhgerrard.com
Pennsylvania	<i>East</i>	Joseph M. Hayden Associates	Industrial	(800) 541-0768	haydenassoc@verizon.net
	<i>East</i>	Kunz Powell	Electrical	(610) 722-5701	brendanpowell@kunz-powell.com
	<i>West</i>	Voelp Assoc. Inc.	Industrial, HVAC	(724) 452-0278	rvoelp@zoominternet.net
	<i>West</i>	Condor Associates	Electrical	(412) 684-0100	joedorley@condorassociates.com
Puerto Rico		Ron Wallace & Associates	Industrial, Electrical	(803) 222-3562	rwmktg@rwmktg.com
		Contact Factory	HVAC	(517) 764-2300	sales@airmasterfan.com
Rhode Island		Cutler Industrial Sales	Industrial	(631) 277-4930	info@cutlersales.com
		New England Electrical	Electrical, HVAC	(603) 434-6705	stevangelier@comcast.net
South Carolina		Ron Wallace & Associates	Industrial, Electrical	(803) 222-3562	rwmktg@rwmktg.com
		Contact Factory	HVAC	(517) 764-2300	sales@airmasterfan.com
South Dakota		Pioneer Sales Group	Industrial, Electrical	(763) 546-6880	salesinfo@pioneersalesgroup.com
		Contact Factory	HVAC	(517) 764-2300	sales@airmasterfan.com
Tennessee	<i>East</i>	Suncoast Marketing	Industrial, Electrical, HVAC	(727) 724-1916	suncoast84@earthlink.net
	<i>West</i>	Belmont Enterprises	Industrial, Electrical	(713) 673-4000	customer.service@bereps.com
Texas		Belmont Enterprises	Industrial, Electrical	(713) 673-4000	customer.service@bereps.com
		Contact Factory	HVAC	(517) 764-2300	sales@airmasterfan.com
Utah		Main & Gamble	Industrial, Electrical	(801) 726-1314	fielding.chad@gmail.com
		TWC Products	HVAC	(801) 381-5625	guywilcox@gmail.com
Vermont		Cutler Industrial Sales	Industrial	(631) 277-4930	info@cutlersales.com
		New England Electrical	Electrical, HVAC	(603) 434-6705	stevangelier@comcast.net
Virginia		Ron Wallace & Associates	Industrial, Electrical	(803) 222-3562	rwmktg@rwmktg.com
	<i>North Tip</i>	Joseph M. Hayden Associates	Industrial	(800) 541-0768	haydenassoc@verizon.net
		Contact Factory	HVAC	(517) 764-2300	sales@airmasterfan.com
Washington		Northcoast Sales Agency	Industrial, HVAC	(503) 657-9427	gene@ncsalesagency.com
		M.H. Gerrard	Electrical	(360) 993-1977	insidesales@mhgerrard.com
Washington D.C.		Joseph M. Hayden Associates	Industrial	(800) 541-0768	haydenassoc@verizon.net
		Contact Factory	Electrical, HVAC	(517) 764-2300	sales@airmasterfan.com
West Virginia		Voelp Assoc. Ind	Industrial, HVAC	(724) 452-0278	rvoelp@zoominternet.net
		Condor Associates	Electrical	(412) 684-0100	joedorley@condorassociates.com
Wisconsin	<i>East</i>	Gaudian Industrial	Industrial, HVAC	(630) 410-2030	gaudianinc@aol.com
	<i>East</i>	Electrical Solutions Plus, Inc.	Electrical	(414) 321-8509	info@esplus-inc.com
	<i>West</i>	Pioneer Sales Group	Industrial, Electrical	(763) 546-6880	salesinfo@pioneersalesgroup.com
Wyoming	<i>West</i>	Main & Gamble	Industrial, Electrical	(801) 726-1314	fielding.chad@gmail.com
	<i>East</i>	Hammer Sales LLC	Industrial, Electrical	(303) 280-4955	pmolitoris@yahoo.com
		TWC Products	HVAC	(801) 381-5625	guywilcox@gmail.com







Warranty

COMMERCIAL PRODUCT WARRANTY

AIRMASTER® FAN COMPANY warrants to the original user that the equipment shipped will be the kind and quality described in the specifications and to be free from defects in material and workmanship under normal use and service. Liability for defects of material and workmanship in the motor are excepted from the AIRMASTER® Warranty, but are covered in the warranty of the motor manufacturer.

AIRMASTER® FAN COMPANY will rectify defects in material or workmanship within one year from date of shipment by the factory, provided the Company receives immediate written notice of such defects and such claims are substantiated to its satisfaction. Correction of such defects by repair or replacement at company's option, F.O.B. the Company's factory, shall constitute the sole obligation under this warranty.

This warranty does not include accessories or any part of the unit which has subjected to misuse, neglect, accident, or damage caused by flood, fire or act of God. UNDER NO CIRCUMSTANCES IS AIRMASTER® FAN COMPANY liable for labor costs incurred in installation or removal for repairs. UNDER NO CIRCUMSTANCES IS AIRMASTER® FAN COMPANY LIABLE FOR INCIDENTAL OR CONSEQUENTIAL DAMAGES DUE TO FAILURE TO MEET THE CONDITIONS OF ANY WARRANTY. NO LIABILITY OF ANY NATURE IS ASSUMED BY THE COMPANY FOR FAILURE TO MAKE DELIVERY DUE TO ANY ACT OR CONDITION BEYOND ITS REASONABLE CONTROL.

THIS WARRANTY DOES NOT APPLY TO CONSUMER PRODUCTS,
SEE CONSUMER PRODUCT WARRANTY BELOW.

LIMITED ONE-YEAR CONSUMER WARRANTY

On products intended for personal, family or household purposes, the following limited warranty applies instead of the COMMERCIAL Warranty.

AIRMASTER® warrants to the original consumer purchaser that this product is free from defects in material and workmanship for one year from provable date of purchase.

AIRMASTER will repair or replace, at its option, defective parts at no charge, within this warranty period, provided the product is returned freight prepaid with proof of purchase date to: AIRMASTER® FAN COMPANY, 1300 FALAHEE RD., JACKSON, MI 49203. The obligation under this warranty does not include responsibility for any transportation expenses. PRODUCT WILL BE RETURNED TO THE CONSUMER FREIGHT COLLECT.

This warranty is void as to any part that has been improperly installed, overloaded, abused or altered in any manner.

This warranty does not cover incidental or consequential damages arising from any defect of this product. Some states do not allow the exclusion or limitation of incidental or consequential damages, so the above limitation or exclusion may not apply to you.

No one is authorized to assume any liability on behalf of AIRMASTER® or impose any obligation on it in connection with the sale of any product other than as outlined above.

This warranty gives you specific legal rights, and you may also have other rights which vary from state to state.

(PRICES SUBJECT TO CHANGE WITHOUT NOTICE)

Due to AIRMASTER®'s commitment to Total Quality Management, technical specifications are subject to change without notice.



Airmaster® Fan Company

A member of the Maico Group

Copyright 2016 Airmaster Fan® Company