

# Heavy-Duty Hazardous Location Air Circulators

*Pedestal, Wall, I-Beam & Vertical Mount Fans*

Spark Resistant Non-Oscillating

115/230V / 230/460V



## Features/Specifications:

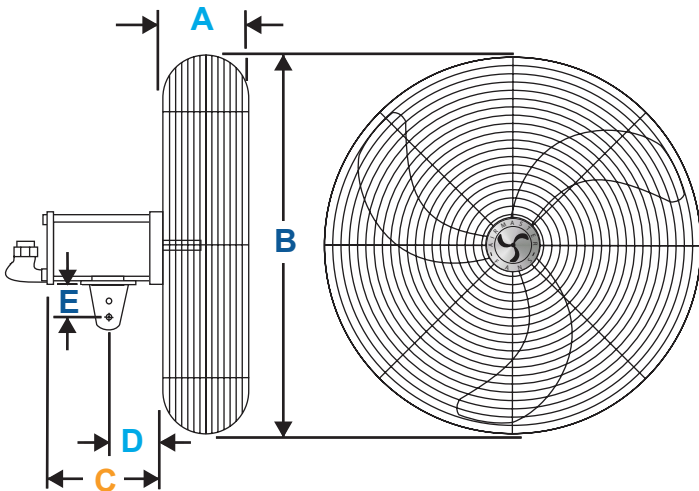
- 1 Year Warranty
- Single speed
- 115/230V: 1 Phase; 230/460V: 3 Phase
- Ball bearing motors
- 1/4 HP
- Die cast aluminum propeller
- Ultra quiet
- OSHA approved safety guards

## Performance:

Prop Dia.	CFM	RPM	Motor No.	Volt	F.L. Amps
24"	5739	1140	1169	115/230	6.9/3.5
24"	5739	1140	1269	230/460	1.1/.55
30"	8723	1140	1169	115/230	6.9/3.5
30"	8723	1140	1269	230/460	1.1/.55

Explosion Proof Motor for Class 1, Group D & Class II, Groups E, F & G see page 3 for further Explosion Proof Motor information.

## Fan Component/Information:



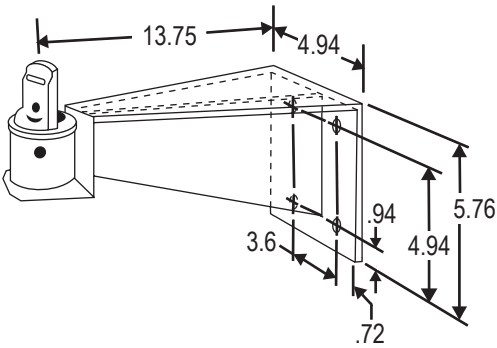
Model	24" Fan		30" Fan		C	D	E
	A	B	A	B			
1169 E 1 Ph. Motor	6.25	26.9	5.25	33.39	15.67	2.30	4.25
1269 3 Ph. Motor	6.25	26.9	5.25	33.39	15.21	2.30	4.06

## Unit Packs 115/230 Spark Resistant Models

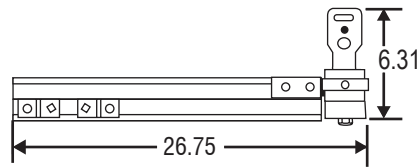
EDP #	Catalog No.	Prop Dia.	Fan Style	Ship Wt.
20301	24LF16X	24"	Pedestal Fan	111
20321	24LW16X8	24"	Wall Mount	78
20341	24LI16X	24"	I-Beam Mount	82
20331	24LS16X	24"	Vertical Mount	74
20351	30LF16X	30"	Pedestal Fan	98
20371	30LW16X8	30"	Wall Mount	82
20391	30LI16X	30"	I-Beam Mount	87
20381	30LS16X	30"	Vertical Mount	77

## Mounting Options/Information:

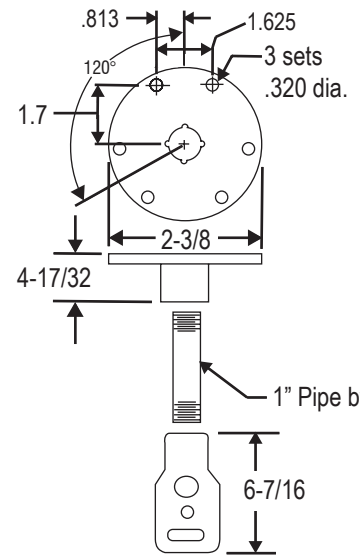
### Wall Bracket



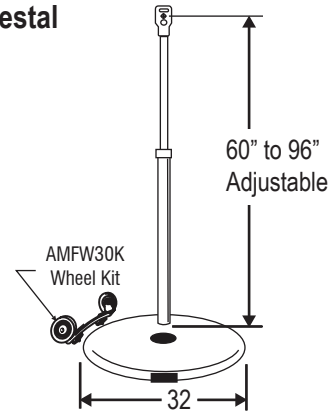
### I-Beam Mount



### Vertical Mount



### Pedestal



A Safety Cable Kit is included in all overhead mounted air circulators to prevent the fan from falling if accidentally struck or mounting fails. Single Safety Cable Kits consist of 12 feet of 1/16" diameter cable, 2 cable clamps, and instructions.

## Kitted Units 230/460 Spark Resistant Models

EDP #	Catalog No.	Prop Dia.	Fan Style	Ship Wt.
20450K	24LF36X	24"	Pedestal Fan: includes 21152(Pedestal), 21166(Base)	100
20470K	24LW36X8	24"	Wall Mount Fan: includes 21187(Tilted Wall Brkt with Safety Cable)	79
20490K	24LI36X	24"	I-Beam Mount Fan: includes 21191(I-Beam Brkt with Safety Cable)	79
20480K	24LS36X	24"	Vertical Mount Fan: includes 21203(Ceiling with Safety Cable)	69
20500K	30LF36X	30"	Pedestal Fan: includes 21152(Pedestal), 21166(Base)	107
20520K	30LW36X8	30"	Wall Mount Fan: includes 21187(878W-Tilted Wall Brkt with Safety Cable)	86
20540K	30LI36X	30"	I-Beam Mount Fan: includes 21191(700-U I-Beam Brkt with Safety Cable)	86
20530K	30LS36X	30"	Vertical Mount Fan: includes 21203(Ceiling with Safety Cable)	76

All 24" Kitted Components consist of: 21040(1269 XP Motor); 21070(AC24G Guard Ass'y.); 21095(24BA-1A Prop); plus mounting listed to left.

All 30" Kitted Components consist of: 21040(1269 XP Motor); 21080(AC30G Guard Ass'y.); 21105(30BA-1A Prop); plus mounting listed to left.

NOTES: XP=Explosion Proof; CORD AND PLUG NOT PROVIDED. Must be hard wired. Wiring must conform to all national, state, and local codes.

## Ordering:

Fan No.	EDP #	Qty.	Catalog No.	CFM	Voltage	Motor No.	Comments

Project		Location	
Engineer		Contractor	

Submitted by		Date		Approved by		Date	
--------------	--	------	--	-------------	--	------	--