

# High Pressure Belt Drive Fans

## HA Models



### 1 Year Warranty Features

- Available for Exhaust or Supply • Epoxy Coated
- Precision Balanced Propellers • Quiet
- Energy Efficient



Catalog No.	Prop Dia.	HP	Fan RPM	Max BHP	Capacity (CFM) @ "SP					Max. Sones @ 5'	Ship Wt.	See Page
					0"	1/8"	1/4"	3/8"	1/2"			
HA24CA	24"	1/4	746	0.28	4398	3745	---	---	---	12.4	70	63
HA24DA	24"	1/3	805	0.37	4746	4210	2885	---	---	12.9	80	63
HA24FA	24"	1/2	980	0.64	5778	5409	4617	---	---	18.4	85	63
HA24HA	24"	3/4	1080	0.86	6367	6049	5502	4428	---	22.6	92	63
HA24JA	24"	1	1180	1.14	6957	6674	6257	5453	4462	26.3	111	64
HA24KA	24"	1½	1340	1.63	7900	7658	7349	6867	6067	34.0	121	64
HA30DA	30"	1/3	530	0.36	6518	4821	2608	---	---	8.8	98	64
HA30FA	30"	1/2	640	0.55	7871	6735	4669	---	---	12.8	103	64
HA30HA	30"	3/4	730	0.85	8978	8080	6439	4690	---	19.3	108	65
HA30JA	30"	1	820	1.14	10085	9333	8114	6425	---	20.8	127	65
HA30KA	30"	1½	930	1.67	11438	10804	9913	8579	7089	28.2	136	65
HA36FA	36"	1/2	561	0.56	9720	8211	5602	---	---	14.0	122	65
HA36HA	36"	3/4	650	0.83	11262	10143	7951	---	---	18.1	128	66
HA36JA	36"	1	720	1.10	12475	11533	9805	---	---	21.8	148	66
HA36KA	36"	1½	820	1.65	14207	13429	12223	10377	---	26.3	157	66
HA36MA	36"	2	890	2.15	15420	14721	13739	12219	10464	30.3	172	66
HA42FA	42"	1/2	410	0.58	12797	9882	---	---	---	12.0	169	67
HA42HA	42"	3/4	453	0.83	14139	11686	7833	---	---	14.4	170	67
HA42JA	42"	1	500	1.08	15606	13517	10254	---	---	17.1	215	67
HA42KA	42"	1½	583	1.66	18197	16533	14113	---	---	21.1	225	67
HA42MA	42"	2	635	2.20	19820	18339	16298	13666	---	24.8	235	68
HA42OA	42"	3	725	3.28	22629	21378	19787	17760	15381	31.8	255	68
HA48HA	48"	3/4	395	0.86	17392	14182	---	---	---	15.9	223	68
HA48JA	48"	1	420	1.13	18493	15544	10953	---	---	16.6	225	68
HA48KA	48"	1½	485	1.67	21335	18883	15665	---	---	23.4	230	69
HA48MA	48"	2	535	2.31	23556	20848	18132	14264	---	26.1	245	69
HA48OA	48"	3	610	3.43	26858	24896	22832	20205	---	35.5	265	69
HA48PA	48"	5	690	4.79	30381	28610	26909	24888	22419	53.9	285	69
HA54JA	54"	1	301	1.11	21524	17049	8814	---	---	12.6	310	70
HA54KA	54"	1½	353	1.65	25243	21902	15939	---	---	16.2	313	70
HA54MA	54"	2	383	2.20	27388	24450	19521	12944	---	18.7	320	70
HA54OA	54"	3	437	3.31	31250	28802	25241	20099	14178	23.4	370	70
HA54PA	54"	5	527	5.50	37686	35717	33353	30099	25907	31.8	385	71
HA54QA	54"	7½	600	8.13	42906	41174	39308	36935	33896	41.4	455	71
HA60KA	60"	1½	295	1.64	28923	24368	16985	---	---	22.1	395	71
HA60MA	60"	2	328	2.20	32158	28269	22401	---	---	26.1	400	71
HA60OA	60"	3	373	3.29	36570	33294	28826	22824	---	30.3	450	72
HA60PA	60"	5	447	5.50	43825	41170	38024	33975	---	44.3	465	72
HA60QA	60"	7½	510	8.18	50002	47680	45165	42090	38385	57.2	535	72
HA60RA	60"	10	570	11.31	55885	53786	51667	49180	46262	68.5	555	72



## High Pressure Belt Drive Fans

### HA Models and Accessories

Catalog No.	Prop Dia.	HP	Fan RPM	Max BHP	Capacity (CFM) @ "SP					Max. Sones @ 5'	Ship Wt.
					0"	1/8"	1/4"	3/8"	1/2"		
HA24CA	24"	1/4	746	0.28	4398	3745	---	---	---	12.4	70
	EDP No.	Volt	Phase	Speed	Motor	Optional Accessories			EDP No.	Catalog No.	
	42500	115	1	1	ODP	Exhaust Shutter			22975	EASRMF-26	
	42503	230/460	3	1	ODP	Supply Shutter			22641	WC24	
	42506	230/460	3	1	TE	Wall Collar			06887	WS24	
	95100	---	---	---	Less Motor & Drive	Rear Safety Guard			23620	24RG	
						Front Safety Guard			23675	24FG	
HA24DA	24"	1/3	805	0.37	4746	4210	2885	---	---	12.9	80
	EDP No.	Volt	Phase	Speed	Motor	Optional Accessories			EDP No.	Catalog No.	
	42509	115	1	1	ODP	Exhaust Shutter			22975	EASRMF-26	
	42512	230/460	3	1	ODP	Supply Shutter			22641	WC24	
	42518	115/230	1	1	TE	Wall Collar			06887	WS24	
	42521	230/460	3	1	TE	Rear Safety Guard			23620	24RG	
	95100	---	---	---	Less Motor & Drive	Front Safety Guard			23675	24FG	
HA24FA	24"	1/2	980	0.64	5778	5409	4617	---	---	18.4	85
	EDP No.	Volt	Phase	Speed	Motor	Optional Accessories			EDP No.	Catalog No.	
	42530	115/230	1	1	ODP	Exhaust Shutter			22975	EASRMF-26	
	42533	230/460	3	1	ODP	Supply Shutter			22641	WC24	
	42539	115/230	1	1	TE	Wall Collar			06887	WS24	
	42542	230/460	3	1	TE	Rear Safety Guard			23620	24RG	
	95100	---	---	---	Less Motor & Drive	Front Safety Guard			23675	24FG	
HA24HA	24"	3/4	1080	0.86	6367	6049	5502	4428	---	22.6	92
	EDP No.	Volt	Phase	Speed	Motor	Optional Accessories			EDP No.	Catalog No.	
	42545	115/230	1	1	ODP	Exhaust Shutter			22975	EASRMF-26	
	42548	230/460	3	1	ODP	Supply Shutter			22641	WC24	
	42554	115/230	1	1	TE	Wall Collar			06887	WS24	
	42557	230/460	3	1	TE	Rear Safety Guard			23620	24RG	
	95100	---	---	---	Less Motor & Drive	Front Safety Guard			23675	24FG	

## High Pressure Belt Drive Fans

### HA Models and Accessories

Catalog No.	Prop Dia.	HP	Fan RPM	Max BHP	Capacity (CFM) @ "SP					Max. Sones @ 5'	Ship Wt.
					0"	1/8"	1/4"	3/8"	1/2"		
HA24JA	24"	1	1180	1.14	6957	6674	6257	5453	4462	26.3	111
	EDP No.	Volt	Phase	Speed	Motor	Optional Accessories			EDP No.	Catalog No.	
	42563	115/230	1	1	ODP	Exhaust Shutter			22975	EASRMF-26	
	42566	230/460	3	1	ODP	Supply Shutter			22641	WC24	
	42569	115/230	1	1	TE	Wall Collar			06887	WS24	
	42572	230/460	3	1	TE	Rear Safety Guard			23620	24RG	
	95100	---	---	---	Less Motor & Drive	Front Safety Guard			23675	24FG	
HA24KA	24"	1½	1340	1.63	7900	7658	7349	6867	6067	34.0	121
	EDP No.	Volt	Phase	Speed	Motor	Optional Accessories			EDP No.	Catalog No.	
	42575	115/230	1	1	ODP	Exhaust Shutter			22975	EASRMF-26	
	42581	230/460	3	1	ODP	Supply Shutter			22641	WC24	
	42584	115/230	1	1	TE	Wall Collar			06887	WS24	
	42587	230/460	3	1	TE	Rear Safety Guard			23620	24RG	
	95100	---	---	---	Less Motor & Drive	Front Safety Guard			23675	24FG	
HA30DA	30"	1/3	530	0.36	6518	4821	2608	---	---	8.8	98
	EDP No.	Volt	Phase	Speed	Motor	Optional Accessories			EDP No.	Catalog No.	
	42593	230/460	3	1	ODP	Exhaust Shutter			22976	EASRMF-32	
	42596	115/230	1	1	TE	Supply Shutter			22651	WC30	
	42599	230/460	3	1	TE	Wall Collar			06888	WS30	
	95104	---	---	---	Less Motor & Drive	Rear Safety Guard			23625	30RG	
						Front Safety Guard			23680	30FG	
HA30FA	30"	1/2	640	0.55	7871	6735	4669	---	---	12.8	103
	EDP No.	Volt	Phase	Speed	Motor	Optional Accessories			EDP No.	Catalog No.	
	42605	115/230	1	1	ODP	Exhaust Shutter			22976	EASRMF-32	
	42608	230/460	3	1	ODP	Supply Shutter			22651	WC30	
	42618	115/230	1	1	TE	Wall Collar			06888	WS30	
	42621	230/460	3	1	TE	Rear Safety Guard			23625	30RG	
	95104	---	---	---	Less Motor & Drive	Front Safety Guard			23680	30FG	



## High Pressure Belt Drive Fans

### HA Models and Accessories

Catalog No.	Prop Dia.	HP	Fan RPM	Max BHP	Capacity (CFM) @ "SP					Max. Sones @ 5'	Ship Wt.
					0"	1/8"	1/4"	3/8"	1/2"		
HA30HA	30"	3/4	730	0.85	8978	8080	6439	4690	---	19.3	108
	EDP No.	Volt	Phase	Speed	Motor	Optional Accessories			EDP No.	Catalog No.	
	42624	115/230	1	1	ODP	Exhaust Shutter			22976	EASRMF-32	
	42627	230/460	3	1	ODP	Supply Shutter			22651	WC30	
	42630	115/230	1	1	TE	Wall Collar			06888	WS30	
	42633	230/460	3	1	TE	Rear Safety Guard			23625	30RG	
95104	---	---	---	Less Motor & Drive	Front Safety Guard			23680	30FG		
HA30JA	30"	1	820	1.14	10085	9333	8114	6425	---	20.8	127
	EDP No.	Volt	Phase	Speed	Motor	Optional Accessories			EDP No.	Catalog No.	
	42639	115/230	1	1	ODP	Exhaust Shutter			22976	EASRMF-32	
	42642	230/460	3	1	ODP	Supply Shutter			22651	WC30	
	42648	115/230	1	1	TE	Wall Collar			06888	WS30	
	42651	230/460	3	1	TE	Rear Safety Guard			23625	30RG	
95104	---	---	---	Less Motor & Drive	Front Safety Guard			23680	30FG		
HA30KA	30"	1½	930	1.67	11438	10804	9913	8579	7089	28.2	136
	EDP No.	Volt	Phase	Speed	Motor	Optional Accessories			EDP No.	Catalog No.	
	42657	115/230	1	1	ODP	Exhaust Shutter			22976	EASRMF-32	
	42663	230/460	3	1	ODP	Supply Shutter			22651	WC30	
	42666	115/230	1	1	TE	Wall Collar			06888	WS30	
	42669	230/460	3	1	TE	Rear Safety Guard			23625	30RG	
95104	---	---	---	Less Motor & Drive	Front Safety Guard			23680	30FG		
HA36FA	36"	1/2	561	0.56	9720	8211	5602	---	---	14.0	122
	EDP No.	Volt	Phase	Speed	Motor	Optional Accessories			EDP No.	Catalog No.	
	42672	115/230	1	1	ODP	Exhaust Shutter			22977	EASRMF-38	
	42675	230/460	3	1	ODP	Supply Shutter			22661	WC36	
	42678	115/230	1	1	TE	Wall Collar			06889	WS36	
	42681	230/460	3	1	TE	Rear Safety Guard			23630	36RG	
95108	---	---	---	Less Motor & Drive	Front Safety Guard			23685	36FG		

## High Pressure Belt Drive Fans

### HA Models and Accessories

Catalog No.	Prop Dia.	HP	Fan RPM	Max BHP	Capacity (CFM) @ "SP					Max. Sones @ 5'	Ship Wt.
					0"	1/8"	1/4"	3/8"	1/2"		
HA36HA	36"	3/4	650	0.83	11262	10143	7951	---	---	18.1	128
	EDP No.	Volt	Phase	Speed	Motor	Optional Accessories			EDP No.	Catalog No.	
	42684	115/230	1	1	ODP	Exhaust Shutter			22977	EASRMF-38	
	42687	230/460	3	1	ODP	Supply Shutter			22661	WC36	
	42696	115/230	1	1	TE	Wall Collar			06889	WS36	
	42699	230/460	3	1	TE	Rear Safety Guard			23630	36RG	
	95108	---	---	---	Less Motor & Drive	Front Safety Guard			23685	36FG	
HA36JA	36"	1	720	1.10	12475	11533	9805	---	---	21.8	148
	EDP No.	Volt	Phase	Speed	Motor	Optional Accessories			EDP No.	Catalog No.	
	42702	115/230	1	1	ODP	Exhaust Shutter			22977	EASRMF-38	
	42705	230/460	3	1	ODP	Supply Shutter			22661	WC36	
	42708	115/230	1	1	TE	Wall Collar			06889	WS36	
	42711	230/460	3	1	TE	Rear Safety Guard			23630	36RG	
	95108	---	---	---	Less Motor & Drive	Front Safety Guard			23685	36FG	
HA36KA	36"	1½	820	1.65	14207	13429	12223	10377	---	26.3	157
	EDP No.	Volt	Phase	Speed	Motor	Optional Accessories			EDP No.	Catalog No.	
	42717	115/230	1	1	ODP	Exhaust Shutter			22977	EASRMF-38	
	42720	230/460	3	1	ODP	Supply Shutter			22661	WC36	
	42732	115/230	1	1	TE	Wall Collar			06889	WS36	
	42735	230/460	3	1	TE	Rear Safety Guard			23630	36RG	
	95108	---	---	---	Less Motor & Drive	Front Safety Guard			23685	36FG	
HA36MA	36"	2	890	2.15	15420	14721	13739	12219	10464	30.3	172
	EDP No.	Volt	Phase	Speed	Motor	Optional Accessories			EDP No.	Catalog No.	
	42744	230/460	3	1	ODP	Exhaust Shutter			22977	EASRMF-38	
	42753	230/460	3	1	TE	Supply Shutter			22661	WC36	
	95108	---	---	---	Less Motor & Drive	Wall Collar			06889	WS36	
						Rear Safety Guard			23630	36RG	
						Front Safety Guard			23685	36FG	



## High Pressure Belt Drive Fans

### HA Models and Accessories

Catalog No.	Prop Dia.	HP	Fan RPM	Max BHP	Capacity (CFM) @ "SP					Max. Sones @ 5'	Ship Wt.
					0"	1/8"	1/4"	3/8"	1/2"		
HA42FA	42"	1/2	410	0.58	12797	9882	---	---	---	12.0	169
	EDP No.	Volt	Phase	Speed	Motor		Optional Accessories		EDP No.	Catalog No.	
	42756	115/230	1	1	ODP		Exhaust Shutter	22978	EASRMF-44		
	42759	230/460	3	1	ODP		Supply Shutter	22671	WC42		
	42762	115/230	1	1	TE		Wall Collar	06890	WS42		
	42765	230/460	3	1	TE		Rear Safety Guard	23635	42RG		
95112	---	---	---	Less Motor & Drive	Front Safety Guard		23690	42FG			
HA42HA	42"	3/4	453	0.83	14139	11686	7833	---	---	14.4	170
	EDP No.	Volt	Phase	Speed	Motor		Optional Accessories		EDP No.	Catalog No.	
	42768	115/230	1	1	ODP		Exhaust Shutter	22978	EASRMF-44		
	42771	230/460	3	1	ODP		Supply Shutter	22671	WC42		
	42774	115/230	1	1	TE		Wall Collar	06890	WS42		
	42777	230/460	3	1	TE		Rear Safety Guard	23635	42RG		
95112	---	---	---	Less Motor & Drive	Front Safety Guard		23690	42FG			
HA42JA	42"	1	500	1.08	15606	13517	10254	---	---	17.1	215
	EDP No.	Volt	Phase	Speed	Motor		Optional Accessories		EDP No.	Catalog No.	
	42780	115/230	1	1	ODP		Exhaust Shutter	22978	EASRMF-44		
	42783	230/460	3	1	ODP		Supply Shutter	22671	WC42		
	42786	115/230	1	1	TE		Wall Collar	06890	WS42		
	42789	230/460	3	1	TE		Rear Safety Guard	23635	42RG		
95112	---	---	---	Less Motor & Drive	Front Safety Guard		23690	42FG			
HA42KA	42"	1½	583	1.66	18197	16533	14113	---	---	21.1	225
	EDP No.	Volt	Phase	Speed	Motor		Optional Accessories		EDP No.	Catalog No.	
	42798	115/230	1	1	ODP		Exhaust Shutter	22978	EASRMF-44		
	42801	230/460	3	1	ODP		Supply Shutter	22671	WC42		
	42807	115/230	1	1	TE		Wall Collar	06890	WS42		
	42810	230/460	3	1	TE		Rear Safety Guard	23635	42RG		
95112	---	---	---	Less Motor & Drive	Front Safety Guard		23690	42FG			

# High Pressure Belt Drive Fans

## HA Models and Accessories

Catalog No.	Prop Dia.	HP	Fan RPM	Max BHP	Capacity (CFM) @ "SP					Max. Sones @ 5'	Ship Wt.
					0"	1/8"	1/4"	3/8"	1/2"		
HA42MA	42"	2	635	2.20	19820	18339	16298	13666	---	24.8	235
	EDP No.	Volt	Phase	Speed	Motor	Optional Accessories			EDP No.	Catalog No.	
	42813	230/460	3	1	ODP	Exhaust Shutter			22978	EASRMF-44	
	42816	230/460	3	1	TE	Supply Shutter			22671	WC42	
	95112	---	---	---	Less Motor & Drive	Wall Collar			06890	WS42	
						Rear Safety Guard			23635	42RG	
					Front Safety Guard			23690	42FG		
HA42OA	42"	3	725	3.28	22629	21378	19787	17760	15381	31.8	255
	EDP No.	Volt	Phase	Speed	Motor	Optional Accessories			EDP No.	Catalog No.	
	42822	230/460	3	1	ODP	Exhaust Shutter			22978	EASRMF-44	
	42825	230/460	3	1	TE	Supply Shutter			22671	WC42	
	95112	---	---	---	Less Motor & Drive	Wall Collar			06890	WS42	
						Rear Safety Guard			23635	42RG	
					Front Safety Guard			23690	42FG		
HA48HA	48"	3/4	395	0.86	17392	14182	---	---	---	15.9	223
	EDP No.	Volt	Phase	Speed	Motor	Optional Accessories			EDP No.	Catalog No.	
	42828	115/230	1	1	ODP	Exhaust Shutter			22979	EASRMF-50	
	42831	230/460	3	1	ODP	Supply Shutter			22681	WC48	
	42834	115/230	1	1	TE	Wall Collar			06891	WS48	
	42837	230/460	3	1	TE	Rear Safety Guard			23640	48RG	
95116	---	---	---	Less Motor & Drive	Front Safety Guard			23695	48FG		
HA48JA	48"	1	420	1.13	18493	15544	10953	---	---	16.6	225
	EDP No.	Volt	Phase	Speed	Motor	Optional Accessories			EDP No.	Catalog No.	
	42840	115/230	1	1	ODP	Exhaust Shutter			22979	EASRMF-50	
	42843	230/460	3	1	ODP	Supply Shutter			22681	WC48	
	42846	115/230	1	1	TE	Wall Collar			06891	WS48	
	42849	230/460	3	1	TE	Rear Safety Guard			23640	48RG	
95116	---	---	---	Less Motor & Drive	Front Safety Guard			23695	48FG		





## High Pressure Belt Drive Fans

### HA Models and Accessories

Catalog No.	Prop Dia.	HP	Fan RPM	Max BHP	Capacity (CFM) @ "SP					Max. Sones @ 5'	Ship Wt.
					0"	1/8"	1/4"	3/8"	1/2"		
HA48KA	48"	1½	485	1.67	21335	18883	15665	---	---	23.4	230
	EDP No.	Volt	Phase	Speed	Motor	Optional Accessories			EDP No.	Catalog No.	
	42855	115/230	1	1	ODP	Exhaust Shutter			22979	EASRMF-50	
	42858	230/460	3	1	ODP	Supply Shutter			22681	WC48	
	42861	115/230	1	1	TE	Wall Collar			06891	WS48	
	42864	230/460	3	1	TE	Rear Safety Guard			23640	48RG	
95116	---	---	---	Less Motor & Drive	Front Safety Guard			23695	48FG		
HA48MA	48"	2	535	2.31	23556	20848	18132	14264	---	26.1	245
	EDP No.	Volt	Phase	Speed	Motor	Optional Accessories			EDP No.	Catalog No.	
	42870	230/460	3	1	ODP	Exhaust Shutter			22979	EASRMF-50	
	42876	230/460	3	1	TE	Supply Shutter			22681	WC48	
	95116	---	---	---	Less Motor & Drive	Wall Collar			06891	WS48	
						Rear Safety Guard			23640	48RG	
					Front Safety Guard			23695	48FG		
HA48OA	48"	3	610	3.43	26858	24896	22832	20205	---	35.5	265
	EDP No.	Volt	Phase	Speed	Motor	Optional Accessories			EDP No.	Catalog No.	
	42882	230/460	3	1	ODP	Exhaust Shutter			22979	EASRMF-50	
	42891	230/460	3	1	TE	Supply Shutter			22681	WC48	
	95116	---	---	---	Less Motor & Drive	Wall Collar			06891	WS48	
						Rear Safety Guard			23640	48RG	
					Front Safety Guard			23695	48FG		
HA48PA	48"	5	690	4.79	30381	28610	26909	24888	22419	53.9	285
	EDP No.	Volt	Phase	Speed	Motor	Optional Accessories			EDP No.	Catalog No.	
	42900	230/460	3	1	ODP	Exhaust Shutter			22979	EASRMF-50	
	42903	230/460	3	1	TE	Supply Shutter			22681	WC48	
	95116	---	---	---	Less Motor & Drive	Wall Collar			06891	WS48	
						Rear Safety Guard			23640	48RG	
					Front Safety Guard			23695	48FG		



# High Pressure Belt Drive Fans

## HA Models and Accessories

Catalog No.	Prop Dia.	HP	Fan RPM	Max BHP	Capacity (CFM) @ "SP					Max. Sones @ 5'	Ship Wt.
					0"	1/8"	1/4"	3/8"	1/2"		
HA54JA	54"	1	301	1.11	21524	17049	8814	---	---	12.6	310
	EDP No.	Volt	Phase	Speed	Motor	Optional Accessories			EDP No.	Catalog No.	
	42909	115/230	1	1	ODP	Exhaust Shutter			22980	EASRMF-56	
	42912	230/460	3	1	ODP	Supply Shutter			22691	WC54	
	42915	115/230	1	1	TE	Wall Collar			06892	WS54	
	42918	230/460	3	1	TE	Rear Safety Guard			23645	54RG	
	95120	---	---	---	Less Motor & Drive	Front Safety Guard			23700	54FG	
HA54KA	54"	1½	353	1.65	25243	21902	15939	---	---	16.2	313
	EDP No.	Volt	Phase	Speed	Motor	Optional Accessories			EDP No.	Catalog No.	
	42921	115/230	1	1	ODP	Exhaust Shutter			22980	EASRMF-56	
	42924	230/460	3	1	ODP	Supply Shutter			22691	WC54	
	42927	115/230	1	1	TE	Wall Collar			06892	WS54	
	42930	230/460	3	1	TE	Rear Safety Guard			23645	54RG	
	95120	---	---	---	Less Motor & Drive	Front Safety Guard			23700	54FG	
HA54MA	54"	2	383	2.20	27388	24450	19521	12944	---	18.7	320
	EDP No.	Volt	Phase	Speed	Motor	Optional Accessories			EDP No.	Catalog No.	
	42933	230/460	3	1	ODP	Exhaust Shutter			22980	EASRMF-56	
	42936	230/460	3	1	TE	Supply Shutter			22691	WC54	
	95120	---	---	---	Less Motor & Drive	Wall Collar			06892	WS54	
						Rear Safety Guard			23645	54RG	
						Front Safety Guard			23700	54FG	
HA54OA	54"	3	437	3.31	31250	28802	25241	20099	14178	23.4	370
	EDP No.	Volt	Phase	Speed	Motor	Optional Accessories			EDP No.	Catalog No.	
	42939	230/460	3	1	ODP	Exhaust Shutter			22980	EASRMF-56	
	42942	230/460	3	1	TE	Supply Shutter			22691	WC54	
	95120	---	---	---	Less Motor & Drive	Wall Collar			06892	WS54	
						Rear Safety Guard			23645	54RG	
						Front Safety Guard			23700	54FG	



## High Pressure Belt Drive Fans

### HA Models and Accessories

Catalog No.	Prop Dia.	HP	Fan RPM	Max BHP	Capacity (CFM) @ "SP					Max. Sones @ 5'	Ship Wt.
					0"	1/8"	1/4"	3/8"	1/2"		
HA54PA	54"	5	527	5.50	37686	35717	33353	30099	25907	31.8	385
	EDP No.	Volt	Phase	Speed	Motor	Optional Accessories			EDP No.	Catalog No.	
	42945	230/460	3	1	ODP	Exhaust Shutter			22980	EASRMF-56	
	42951	230/460	3	1	TE	Supply Shutter			22691	WC54	
	95120	---	---	---	Less Motor & Drive	Wall Collar			06892	WS54	
						Rear Safety Guard			23645	54RG	
						Front Safety Guard			23700	54FG	
HA54QA	54"	7½	600	8.13	42906	41174	39308	36935	33896	41.4	455
	EDP No.	Volt	Phase	Speed	Motor	Optional Accessories			EDP No.	Catalog No.	
	42957	230/460	3	1	ODP	Exhaust Shutter			22980	EASRMF-56	
	42960	230/460	3	1	TE	Supply Shutter			22691	WC54	
	95120	---	---	---	Less Motor & Drive	Wall Collar			06892	WS54	
						Rear Safety Guard			23645	54RG	
						Front Safety Guard			23700	54FG	
HA60KA	60"	1½	295	1.64	28923	24368	16985	---	---	22.1	395
	EDP No.	Volt	Phase	Speed	Motor	Optional Accessories			EDP No.	Catalog No.	
	42963	115/230	1	1	ODP	Exhaust Shutter			22981	EASRMF-62	
	42966	230/460	3	1	ODP	Supply Shutter			22701	WC60	
	42969	115/230	1	1	TE	Wall Collar			06893	WS60	
	42972	230/460	3	1	TE	Rear Safety Guard			23650	60RG	
	95124	---	---	---	Less Motor & Drive	Front Safety Guard			23705	60FG	
HA60MA	60"	2	328	2.20	32158	28269	22401	---	---	26.1	400
	EDP No.	Volt	Phase	Speed	Motor	Optional Accessories			EDP No.	Catalog No.	
	42975	230/460	3	1	ODP	Exhaust Shutter			22981	EASRMF-62	
	42981	230/460	3	1	TE	Supply Shutter			22701	WC60	
	95124	---	---	---	Less Motor & Drive	Wall Collar			06893	WS60	
						Rear Safety Guard			23650	60RG	
						Front Safety Guard			23705	60FG	

# High Pressure Belt Drive Fans

## HA Models and Accessories

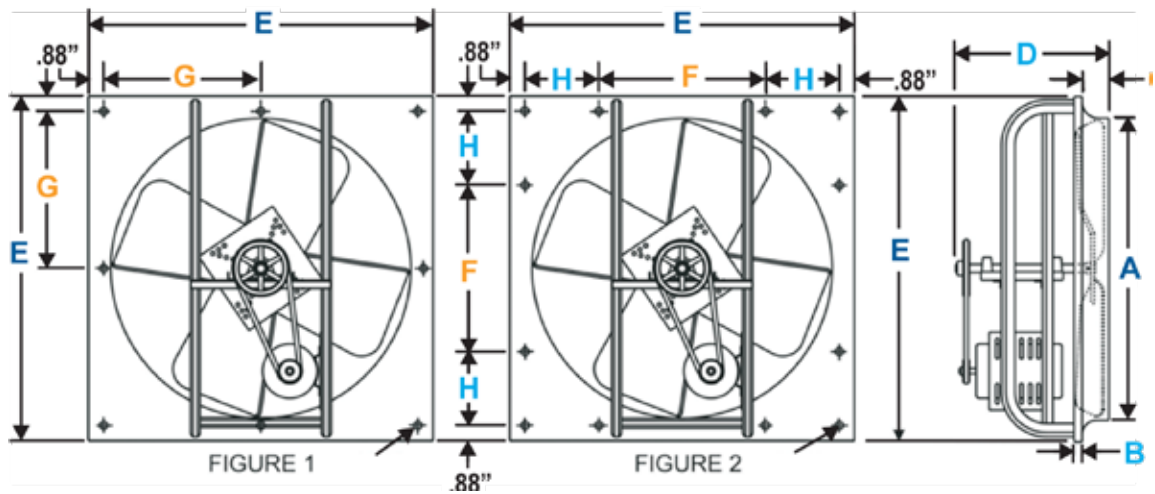
Catalog No.	Prop Dia.	HP	Fan RPM	Max BHP	Capacity (CFM) @ "SP					Max. Sones @ 5'	Ship Wt.
					0"	1/8"	1/4"	3/8"	1/2"		
HA60OA	60"	3	373	3.29	36570	33294	28826	22824	---	30.3	450
	EDP No.	Volt	Phase	Speed	Motor	Optional Accessories			EDP No.	Catalog No.	
	42984	230/460	3	1	ODP	Exhaust Shutter			22981	EASRMF-62	
	42990	230/460	3	1	TE	Supply Shutter			22701	WC60	
	95124	---	---	---	Less Motor & Drive	Wall Collar			06893	WS60	
						Rear Safety Guard			23650	60RG	
					Front Safety Guard			23705	60FG		
HA60PA	60"	5	447	5.50	43825	41170	38024	33975	---	44.3	465
	EDP No.	Volt	Phase	Speed	Motor	Optional Accessories			EDP No.	Catalog No.	
	42996	230/460	3	1	ODP	Exhaust Shutter			22981	EASRMF-62	
	43005	230/460	3	1	TE	Supply Shutter			22701	WC60	
	95124	---	---	---	Less Motor & Drive	Wall Collar			06893	WS60	
						Rear Safety Guard			23650	60RG	
					Front Safety Guard			23705	60FG		
HA60QA	60"	7½	510	8.18	50002	47680	45165	42090	38385	57.2	535
	EDP No.	Volt	Phase	Speed	Motor	Optional Accessories			EDP No.	Catalog No.	
	43011	230/460	3	1	ODP	Exhaust Shutter			22981	EASRMF-62	
	43017	230/460	3	1	TE	Supply Shutter			22701	WC60	
	95124	---	---	---	Less Motor & Drive	Wall Collar			06893	WS60	
						Rear Safety Guard			23650	60RG	
					Front Safety Guard			23705	60FG		
HA60RA	60"	10	570	11.31	55885	53786	51667	49180	46262	68.5	555
	EDP No.	Volt	Phase	Speed	Motor	Optional Accessories			EDP No.	Catalog No.	
	43020	230/460	3	1	ODP	Exhaust Shutter			22981	EASRMF-62	
	43026	230/460	3	1	TE	Supply Shutter			22701	WC60	
	95124	---	---	---	Less Motor & Drive	Wall Collar			06893	WS60	
						Rear Safety Guard			23650	60RG	
					Front Safety Guard			23705	60FG		



## HA Model

### WR Heavy Duty Exhaust Shutters

EDP No.	Catalog No.	Shutter Size	Number of Panels	Motor Kit (Required number for WRHD)
22747	WRHD48	50" x 50"	2	MK-4621 (1)
22748	WRHD54	56" x 56"	2	MK-4621 (1)
22749	WRHD60	62" x 62"	3	MK-4620 & MK-4621



### HA Model Dimensions

Model	See Figure	Dimensions (in.)								Number of Holes
		A	B	C	D	E	F	G	H	
HA24	1	24-7/16	1	2½	15-3/16	30	---	14 ⅛	---	8
HA30	1	30 ½	1	2 ⅝	18 ⅝	36	---	17 ⅛	---	8
HA36	1	36 ½	1 ½	3 ¼	19 ⅞	42	---	20 ⅞	---	8
HA42	2	42 ½	2	3 ¼	23 ¾	48	18 ¼	---	14	12
HA48	2	48 ½	2	3 ¼	24 ⅞	54	18 ¼	---	17	12
HA54	2	54 ½	2	3 ¼	23-7/16	60	18 ¼	---	20	12
HA60	2	60 ½	2	3 ¼	23-7/16	66	18 ¼	---	23	12

# Shutters and Wall Collars

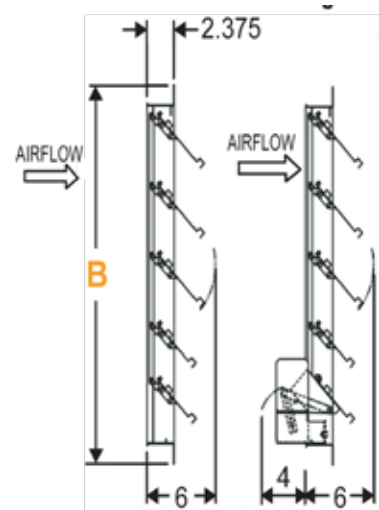
## EASR & WC Shutters

### Aluminum Exhaust & Supply Shutters



#### Features

- Indoor / Outdoor, Wall / Ceiling Mounts
- Gravity Closes when Fan is Turned Off
- Opens with Fan Pressure



EDP No.	Catalog No.	Type	For Fans Diameter	Inside (A)	Outside (B)	Required Opening (Sq. In.)	No. Holes 17/64" Diameter	Sections (Panels)	Motor Kits	Ship Wt.
22970	EASR-MF10	Exhaust	10"	10" Sq.	13" Sq.	10 ¾"	8	1	MTR-556-SP	3
22971	EASR-MF12	Exhaust	10"	12" Sq.	15" Sq.	12 ¾"	8	1	MTR-556-SP	3
22754	WC9	Supply	10"	11" Sq.	14" Sq.	11 ¾"	8	1	MK-5047	3
22755	WC10	Supply	10"	12" Sq.	15" Sq.	12 ¾"	8	1	MK-5047	4
22972	EASR-MF14	Exhaust	12"	14" Sq.	17" Sq.	14 ¾"	8	1	MTR-556-SP	4
22611	WC12	Supply	12"	14" Sq.	17" Sq.	14 ¾"	8	1	MK-5047	4
22973	EASR-MF18	Exhaust	16"	18" Sq.	21" Sq.	18 ¾"	12	1	MTR-556-SP	5
22621	WC16	Supply	16"	18" Sq.	21" Sq.	18 ¾"	12	1	MK-5047	5
22974	EASR-MF20	Exhaust	18"	20" Sq.	23" Sq.	20 ¾"	12	1	MTR-556-SP	5
22631	WC18	Supply	18"	20" Sq.	23" Sq.	20 ¾"	12	1	MK-5047	7
22975	EASR-MF26	Exhaust	24"	26" Sq.	29" Sq.	26 ¾"	12	1	MTR-556-SP	9
22641	WC24	Supply	24"	26" Sq.	29" Sq.	26 ¾"	12	1	MK-5047	9
22976	EASR-MF32	Exhaust	30"	32" Sq.	35" Sq.	32 ¾"	16	2	MTR-556-DP	12
22651	WC30	Supply	30"	32" Sq.	35" Sq.	32 ¾"	16	1	MK-5047	12
22977	EASR-MF38	Exhaust	36"	38" Sq.	41" Sq.	38 ¾"	16	2	MTR-556-DP	16
22661	WC36	Supply	36"	38" Sq.	41" Sq.	38 ¾"	16	1	MK-5047	17
22978	EASR-MF44	Exhaust	42"	44" Sq.	47" Sq.	44 ¾"	20	2	MTR-556-DP	20
22671	WC42	Supply	42"	44" Sq.	47" Sq.	44 ¾"	20	2	MK-4782	22
22979	EASR-MF50	Exhaust	48"	50" Sq.	53" Sq.	50 ¾"	20	2	MTR-556-DP	23
22681	WC48	Supply	48"	50" Sq.	53" Sq.	50 ¾"	20	2	MK-4782	25
22980	EASR-MF56	Exhaust	54"	56" Sq.	59" Sq.	56 ¾"	24	2	MTR-885-DP	27
22691	WC54	Supply	54"	56" Sq.	59" Sq.	56 ¾"	24	2	MK-4782	28
22981	EASR-MF60	Exhaust	60"	62" Sq.	65" Sq.	62 ¾"	24	3	MTR-885-DP	30
22701	WC60	Supply	60"	62" Sq.	65" Sq.	62 ¾"	24	3	(1) MK-4782 & (1) MK-5047 required	31

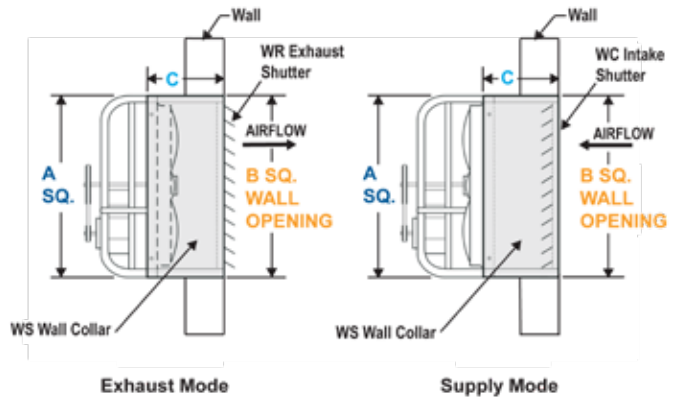
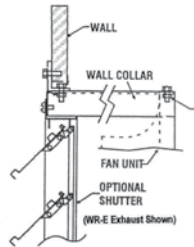
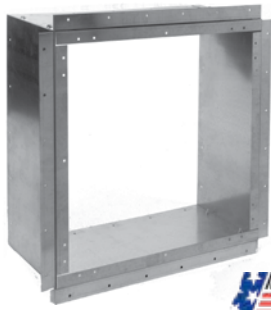
EASR-MF44 - EASR-MF56 are two panel construction. EASR-MF62 is three panel. If used for Supply Duty, a Motor Actuator Kit must be utilized with shutter.

**EASR / WC SELECTION / INSTALLATION INFORMATION AND CAUTIONS:** The velocity profile near the fan blade tips (spot velocity is non-uniform and will vary by fan model. This spot velocity condition can damage a backdraft damper if it exceeds the maximum recommended backdraft damper velocity. For this reason, it is recommended that the backdraft damper be mounted a minimum of 1/3 the fan diameter away from the fan outlet. It is a good practice to contact the factory when application have a velocity approaching the maximum allowed or when the fan motor horsepower is 7-1/2 and above, or when the fan spot velocity is in excess of the backdraft damper's maximum velocity. See page 57 for WRHD Heavy Duty Shutter information. **Note:** When an EASR or WC Shutter is used for exhaust or supply and mounted remote from the fan, a WS Wall Collar is not needed. The shutter is installed directly on the wall and a Motor Actuator Kit must be utilized.



# Shutters, Wall Collars, and Weatherhoods

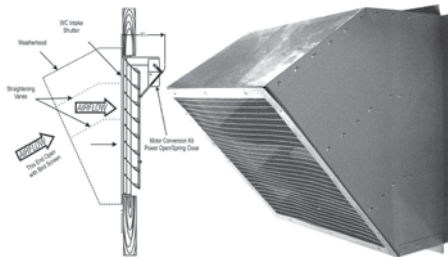
## EASR & WC Shutters WS Wall Collars



EDP No.	Catalog No.	Prop Dia.	A Sq.	B. Wall Opening	C	Ship Wt.	Exhaust Shutter		Supply Shutter		Safety Motor Side (Rear Guard)	
							EDP	Catalog	EDP	Catalog	EDP	Catalog
06883	WS10	10 EPR	14	15	12	14	22970	EASR-MF10	22754	WC9	---	---
06884	WS12	12	16	17	12	15	22971	EASR-MF12	22755	WC10	23605	12RG
06885	WS16E	16 EPR	20	21	12	20	22972	EASR-MF14	22611	WC12	---	---
06886	WS18E	16	22	23	12	20	22973	EASR-MF18	22621	WC16	23610	16RG
06886	WS18E	18 EPR	22	23	12	19	22973	EASR-MF18	22621	WC16	---	---
06894	WS18	18	24	25	12	19	22974	EASR-MF20	22631	WC18	23615	18RG
06887	WS24	24	30	31	14	31	22975	EASR-MF26	22641	WC24	23620	24RG
06888	WS30	30	36	37	14 1/2	42	22976	EASR-MF32	22651	WC30	23625	30RG
06889	WS36	36	42	43	17	61	22977	EASR-MF38	22661	WC36	23630	36RG
06890	WS42	42	48	49	19	89	22978	EASR-MF44	22671	WC42	23635	42RG
06891	WS48	48	54	55	21	112	22979	EASR-MF50	22681	WC48	23640	48RG
06892	WS54	54	60	61	23	149	22980	EASR-MF56	22691	WC54	23645	54RG
06893	WS60	60	66	67	25	178	22981	EASR-MF62	22701	WC60	23650	60RG

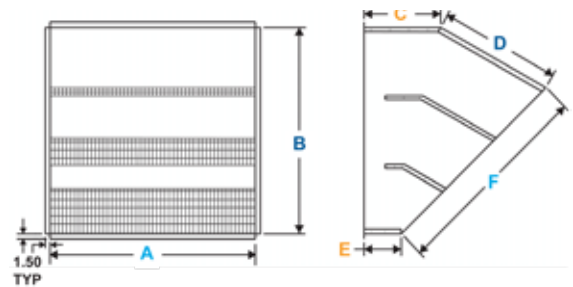
Safety motor side (rear) guards are included on all EPR, and 18" & 24" PD series fans. See page 63 for motor (rear) side guard dimensions. For epoxy coating of Wall Collars, add \$285 to list price. **Notes:** WS wall collars are shipped knocked down. Fan not included with WS wall collars. Wall collars are galvanized.

## Weather Hoods



### Features

- All Steel Construction
- Turning Vanes
- Bird Screen
- Galvanized



EDP No.	Catalog No.	Size	Dimensions						Ship Weight
			A	B	C	D	E	F	
99915	WH24	Hood for 24" Unit	30.50	30.50	15.29	18.06	9.43	30.50	67
99916	WH30	Hood for 30" Unit	36.50	36.50	18.30	21.62	11.28	36.50	168
99917	WH36	Hood for 36" Unit	42.50	42.50	21.31	25.17	13.14	42.50	206
99921	WH42	Hood for 42" Unit	48	48	19.42	28.43	10.19	48	231
99923	WH48	Hood for 48" Unit	54	54	21.04	31.98	10.65	54	303
99918	WH54	Hood for 54" Unit	60	60	22.88	35.54	11.34	60	342
99919	WH60	Hood for 60" Unit	66	66	24.04	38.89	11	66	384

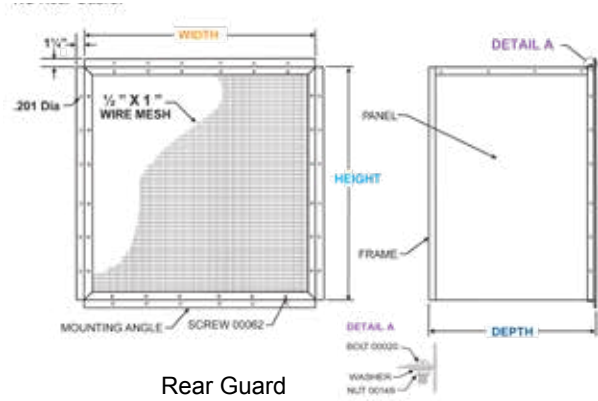
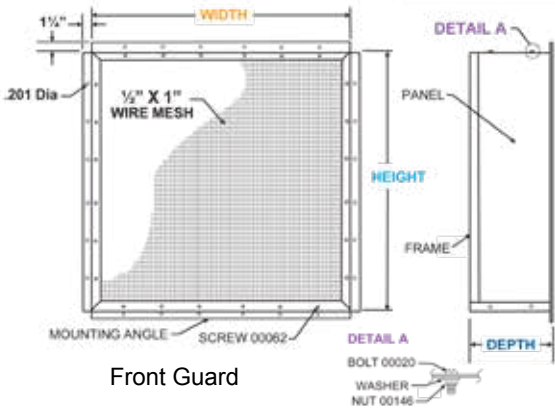


# Guards

## FG & RG

### Features

- Removable Mounting Flanges on RG Rear Guard
- 1/2" X 1" Wire Mesh Guard
- Shipped Knocked Down
- Easy to Assemble



### FG Front Guard

EDP No.	Catalog No.	Height	Width	Depth	Ship Weight
23660	12FG	13.75	13.75	6	7
23665	16FG	19.75	19.75	6	10
23670	18FG	21.75	21.75	6	11
23675	24FG	27.75	27.75	6	15
23680	30FG	33.75	33.75	6	18
23685	36FG	39.75	39.75	6	28
23690	42FG	45.75	45.75	6	35
23695	48FG	51.75	51.75	6	40
23700	54FG	57.75	57.75	6	43
23705	60FG	63.75	63.75	6	48

### RG Rear Guard

EDP No.	Catalog No.	Height	Width	Depth	Frame Material	Ship Weight
23605	12RG	16.25	15.25	16	20 Gauge	7
23610	16RG	22.25	22.25	16	20 Gauge	10
23615	18RG	24.25	24.25	16	20 Gauge	11
23620	24RG	30.54	30.54	25	20 Gauge	15
23625	30RG	36.54	36.54	25	18 Gauge	18
23630	36RG	42.57	42.57	28	18 Gauge	28
23635	42RG	48.57	48.57	34.5	18 Gauge	35
23640	48RG	54.57	54.57	36.5	18 Gauge	40
23645	54RG	60.57	60.57	42.5	18 Gauge	43
23650	60RG	66.57	66.57	44.5	18 Gauge	48

