

Direct Drive Fans

Low Pressure Industrial Duty MODEL PD



1 Year Warranty FEATURES

- Totally Enclosed, Ball Bearing Motor
- High Efficiency
- 2 Speed, Single Phase; or, Single Speed,
- Three Phase Motors Available



Totally Enclosed Two Speed *115V

◀ = EDP in Stock

EDP No.	Catalog No.	Prop Dia.	HP	Fan RPM	Capacity (CFM) @ "SP In. W.G.				Approx. Ship Wt.	Max. Sones @ 5'	List Price
					0"	1/10"	1/8"	1/4"			
◀ 24201	PD18T-D3A	18"	1/6	1110	2680	2414	2332	1789	34	12.0	\$824
◀ 24211	PD24T-E3A	24"	1/2	870	4860	4360	4270	2800	56	11.6	\$934
◀ 24221	PD30T-G3A	30"	1/2	845	7380	6850	6750	5500	73	16.7	\$1,856
◀ 24231	PD36R-G3A	36"	1/2	840	8664	7814	7545	5916	95	20.5	\$2,188

Totally Enclosed Fan Cooled 1 Speed, 3 Ph. 230/460V

◀ = EDP in Stock

EDP No.	Catalog No.	Prop Dia.	HP	Fan RPM	Capacity (CFM) @ "SP In. W.G.				Approx. Ship Wt.	Max. Sones @ 5'	List Price
					0"	1/10"	1/8"	1/4"			
◀ 24260	PD24T-E8A	24"	1/4	825	4610	4110	4020	2550	70	11.6	\$1,811
◀ 24270	PD30T-G8	30"	1/2	845	7380	6850	6750	5500	70	16.7	\$1,943
◀ 24280	PD36R-G8	36"	1/2	840	8664	7814	7545	5916	95	20.5	\$2,269

For supply duty add "S" prefix to EDP Number and use list price divided by 0.80. Supply Duty fans are custom orders and are non-cancelable, non returnable once in production.

PD24T-E3A not available as Supply Duty.

RECOMMENDED OPTIONAL ACCESSORIES

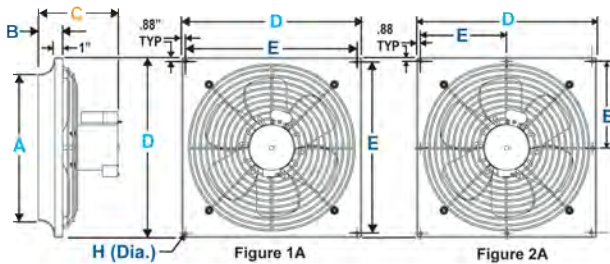
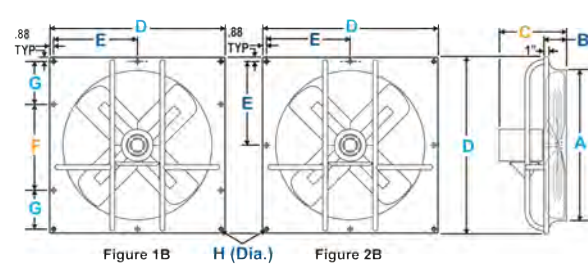
Prop Dia.	Exhaust Shutter			WS Wall Collar			WC Supply Shutter			Safety Guards Prop Side (Front)			Safety Guards Motor Side (Rear)				
	Part No.	Price	Part No.	Part No.	Price	Part No.	Part No.	Price	Part No.	Price	Part No.	Price	Part No.	Price	Part No.	Price	
18"	EASRMF20	\$144	22974	WS18	06894	\$352	WC18	22631	\$226	18FG	23670	11#	\$319	INCLUDED	-	-	
24"	EASRMF26	\$186	22975	WS24	06887	\$372	WC24	22641	\$304	24FG	23675	15#	\$352	INCLUDED	-	-	
30"	EASRMF32	\$227	22976	WS30	06888	\$562	WC30	22651	\$414	30FG	23680	19#	\$385	30RG	23625	37#	\$496
36"	EASRMF38	\$329	22977	WS36	06889	\$598	WC36	22661	\$520	36FG	23685	27#	\$471	36RG	23630	64#	\$811

See page 63 for prop side (front) & motor side (rear) guard dimensions. See page 60 for EASR and WC shutter selection/installation information, ship weights and cautions.

See page 49 for Motorized Exhaust and Shutter Kits

NOTE: When an EASR or WC shutter is used for exhaust or supply and mounted remote from the fan, a WS Wall Collar is not needed. The shutter is installed directly on the wall and a Motor Actuator Kit must be utilized.

NOTE: On 18" and 24" sizes, motor is guard mounted.

**Low Pressure Industrial Duty
MODEL PD**

**PD 18" & 24"
Illustration A**

**PD 30" & 36"
Illustration B**
DIMENSIONS FOR PD (IN.)

Size	See Fig.	A(Dia.)	B	C	D	E	F	G	J	H(Dia.)	Holes
18"	1A	18	18-1/2	3	9-3/8	24	22-1/4	-	-	.38	4
24"	2A	24	24-1/2	3-1/2	15-1/2	30	14-1/8	-	-	.62	8
30"	2B	30	30-1/2	4-5/8	13-3/4	36	17-1/8	-	-	.62	8
36"	1B	36	36-1/2	4-3/4	12-1/4	42	20-1/8	18-1/4	11	.62	10

For Motorized Shutters Add Motor Kit
EASR Exhaust Motor Kit - For 9" to 36" Wall Louver

EDP No.	Catalog No.	List Price
22982	MTR-556 SP	\$268

WC Supply Duty Motor Kit - For 9" - 36" Supply Shutters

EDP No.	Catalog No.	Volt	List Price
22900	MK5047-B	120/240V, 9"-36" Sizes	\$268
22905	MK5047-C	440V, 9"-36" Sizes	\$268

Specify voltage needed when ordering.

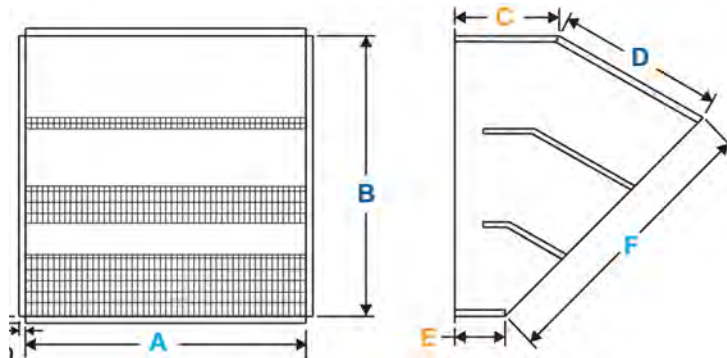
Controls

EDP No.	Catalog No.	Item	List Price
24852	Switch	Two Speed Switch for Fan Only	\$62
85388	Switch	Two Speed Switch for Fan & Supply Shutter	\$50
24820	T-1	Thermostat (115V only)	\$274

Manual Chain Operator - 1 Panel Exhaust Shutter (For 10" to 36")

EDP No.	Catalog No.	List Price
80111	Manual Chain Operator	\$212

For EPR, EXG, PD, HV, PB and HA Series Of Wall Fans



SUPPLY DUTY INFORMATION

Airmaster offers a supply duty option for the EPR, EXG, PD, HV, PB AND HA series wall fans. The fans are custom built with the venturi facing the motor, allowing the fan to blow air into the building and still have the motor on the inside.

To order Supply Duty Fan, add “S” to EDP number and use list price divided by 0.80. Supply Duty fans are custom order products and are non-cancelable, non-returnable once in production.

Recommended optional accessories include the WC supply shutters, WS wall collars, WH weather hoods, FG front guards and RG rear guards. See pages 45, 52, 55, 57-61

WC SUPPLY SHUTTER SELECTION / INSTALLATION INFORMATION AND CAUTIONS:

The velocity profile near the fan blade tips (spot velocity) is non-uniform and will vary by fan model. This spot velocity condition can damage a backdraft damper if it exceeds the maximum recommended backdraft damper velocity. For this reason, it is recommended that the backdraft damper be mounted a minimum of 1/3 the fan diameter away from the fan outlet.

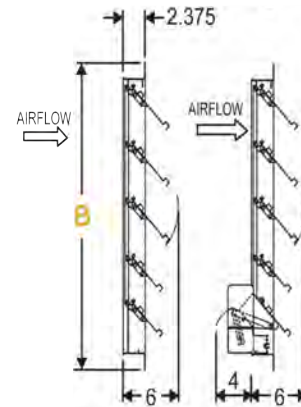
Shutters and Wall Collars

EASR & WC SHUTTERS Aluminum Exhaust & Supply Shutters



FEATURES

- Indoor / Outdoor, Wall / Ceiling Mounts
- Opens with Fan Pressure
- Gravity Closes When Fan is Turned Off



Exhaust

EDP No.	Catalog No.	For Fans Diameter	Type	Inside (A)	Outside (B)	Required Opening (Sq. In.)	No. Holes 17/64" Dia.	Sections (Panels)	Ship Wt.	Motor Kits	List Price
22970	EASR-MF-10"	10"	EXHAUST	10" SQ.	13" SQ.	10 3/4"	8	1	3	MTR-556-SP	\$80
22971	EASR-MF-12"	10"	EXHAUST	12" SQ.	15" SQ.	12 3/4"	8	1	3	MTR-556-SP	\$86
22972	EASR-MF-14"	12"	EXHAUST	14" SQ.	17" SQ.	14 3/4"	8	1	4	MTR-556-SP	\$101
22973	EASR-MF-18"	16"	EXHAUST	18" SQ.	21" SQ.	18 3/4"	12	1	5	MTR-556-SP	\$131
22974	EASR-MF-20"	18"	EXHAUST	20" SQ.	23" SQ.	20 3/4"	12	1	5	MTR-556-SP	\$144
22975	EASR-MF-26"	24"	EXHAUST	26" SQ.	29" SQ.	26 3/4"	12	1	9	MTR-556 SP	\$186
22976	EASR-MF-32"	30"	EXHAUST	32" SQ.	35" SQ.	32 3/4"	16	1	12	MTR-556-SP	\$227
22977	EASR-MF-38"	36"	EXHAUST	38" SQ.	41" SQ.	38 3/4"	16	2	16	MTR-556-DP	\$329
22978	EASR-MF-44"	42"	EXHAUST	44" SQ.	47" SQ.	44 3/4"	20	2	20	MTR-556-DP	\$384
22979	EASR-MF-50"	48"	EXHAUST	50" SQ.	53" SQ.	50 3/4"	20	2	23	MTR-556-DP	\$447
22980	EASR-MF-56"	54"	EXHAUST	56" SQ.	59" SQ.	56 3/4"	24	2	27	MTR-556-DP	\$538
22981	EASR-MF-62"	60"	EXHAUST	62" SQ.	65" SQ.	62 3/4"	24	3	30	MTR-885-DP	\$601

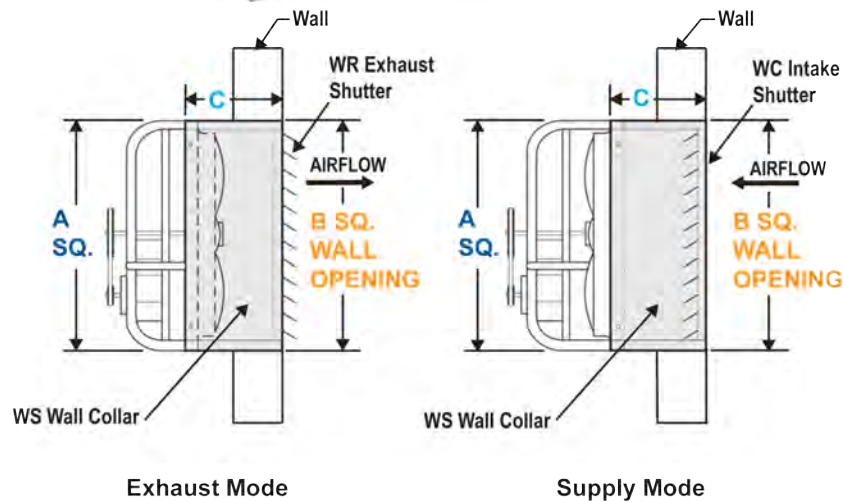
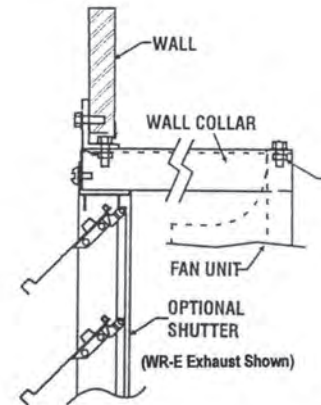
Supply

EDP No.	Catalog No.	For Fans Diameter	Type	Inside (A)	Outside (B)	Required Opening (Sq. In.)	No. Holes 17/64" Dia.	Sections (Panels)	Ship Wt.	Motor Kits	List Price
22754	WC9	10"	SUPPLY	11" SQ.	14" SQ.	11 3/4"	8	1	3	MK-5047	\$104
22755	WC10	10"	SUPPLY	12" SQ.	15" SQ.	12 3/4"	8	1	4	MK-5047	\$157
22611	WC12	12"	SUPPLY	14" SQ.	17" SQ.	14 3/4"	8	1	4	MK-5047	\$157
22621	WC16	16"	SUPPLY	18" SQ.	21" SQ.	18 3/4"	12	1	5	MK-5047	\$189
22631	WC18	18"	SUPPLY	20" SQ.	23" SQ.	20 3/4"	12	1	7	MK-5047	\$226
22641	WC24	24"	SUPPLY	26" SQ.	29" SQ.	26 3/4"	12	1	9	MK-5047	\$304
22651	WC30	30"	SUPPLY	32" SQ.	35" SQ.	32 3/4"	16	1	12	MK-5047	\$414
22661	WC36	36"	SUPPLY	38" SQ.	41" SQ.	38 3/4"	16	1	17	MK-5047	\$520
22671	WC42	42"	SUPPLY	44" SQ.	47" SQ.	44 3/4"	20	2	22	MK-4782	\$815
22681	WC48	48"	SUPPLY	50" SQ.	53" SQ.	50 3/4"	20	2	25	MK-4782	\$911
22691	WC54	54"	SUPPLY	56" SQ.	59" SQ.	56 3/4"	24	2	28	MK-4782	\$1,122
22701	WC60	60"	SUPPLY	62" SQ.	65" SQ.	62 3/4"	24	3	31	MK-4782 (1) and MK-5047 (1) required	\$1,346

See page 59 for pricing of optional motor conversion kits. EASR-MF-44 –EASR-MF-56 are two panel construction. EASR-MF-62 is three panel. If used for Supply Duty, a Motor Actuator Kit must be utilized with shutter.

EASR & WC SELECTION / INSTALLATION INFORMATION AND CAUTIONS: The velocity profile near the fan blade tips (spot velocity) is non-uniform and will vary by fan model. This spot velocity condition can damage a backdraft damper if it exceeds the maximum recommended backdraft damper velocity. For this reason, it is recommended that the backdraft damper be mounted a minimum of 1/3 the fan diameter a way from the fan outlet. It is a good practice to contact the factory when applications have a velocity approaching the maximum allowed or when the fan motor horsepower is 7-1/2 and above, or when the fan spot velocity is in excess of the backdraft damper's maximum velocity. See page 57 for WRHD Heavy Duty Shutter information. **NOTE:** When an EASR or WC Shutter is used for exhaust or supply and mounted remote from the fan, a WS Wall Collar is not needed. The shutter is installed directly on the wall and a Motor Actuator Kit must be utilized.

EASR & WC SHUTTERS WS Wall Collars



Catalog No.	Prop Dia.	A Sq.	B Wall Opening	C	Ship Wt.	Exhaust Shutter	Supply Shutter	Safety Motor Side (Rear) Guard*
WS10	10 EPR	14	15	12	14	EASR-MF-10"	WC9	N/R
WS12	12	16	17	12	15	EASR-MF-12"	WC10	12RG
WS16E	16 EPR	20	21	12	20	EASR-MF-14"	WC12	N/R
WS18E	16	22	23	12	20	EASR-MF-18"	WC16	16RG
WS18E	18 EPR	22	23	12	19	EASR-MF-18"	WC16	N/R
WS18	18	24	25	12	19	EASR-MF-20"	WC18	18RG
WS24	24	30	31	14	31	EASR-MF-26"	WC24	24RG
WS30	30	36	37	14-1/2	45	EASR-MF-32"	WC30	30RG
WS36	36	42	43	17	61	EASR-MF-38"	WC36	36RG
WS42	42	48	49	19	89	EASR-MF-42"	WC42	42RG
WS48	48	54	55	21	112	EASR-MF-50"	WC48	48RG
WS54	54	60	61	23	149	EASR-MF-56"	WC54	54RG
WS60	60	66	67	25	178	EASR-MF-62"	WC60	60RG

*Safety motor side (rear) guards are included on all EPR, and 18" & 24" PD series fans. See page 62 for motor (rear) side guard dimensions. For epoxy coating of Wall Collars, add \$285 to list price.

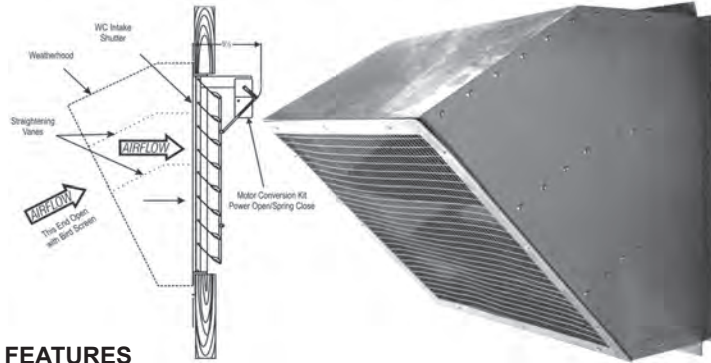
NOTES:

WS wall collars are shipped knocked down. Fan not included with WS wall collars.

Wall collars are galvanized.

Weather Hoods

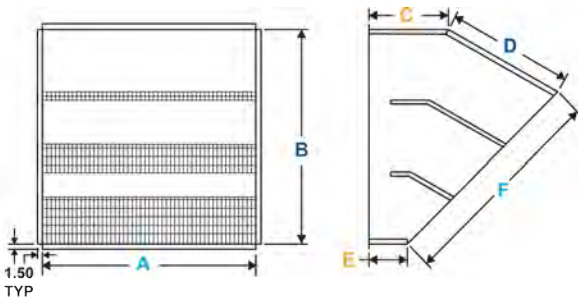
WH Weather Hoods FG & RG



FEATURES

- Galvanized
- All Steel Construction
- Bird Screen
- Turning Vanes

EDP No.	Catalog No.	Size	Ship Wt.	List Price
99915	WH24	Hood for 24" Unit	67	\$957
99916	WH30	Hood for 30" Unit	168	\$1,192
99917	WH36	Hood for 36" Unit	206	\$1,475
99921	WH42	Hood for 42" Unit	231	\$1,722
99923	WH48	Hood for 48" Unit	303	\$1,899
99918	WH54	Hood for 54" Unit	342	\$2,346
99919	WH60	Hood for 60" Unit	384	\$2,558



Used on 24" - 60" propeller wall fans.

For epoxy coating of Weatherhoods, add \$285 to list price.

Dimensions

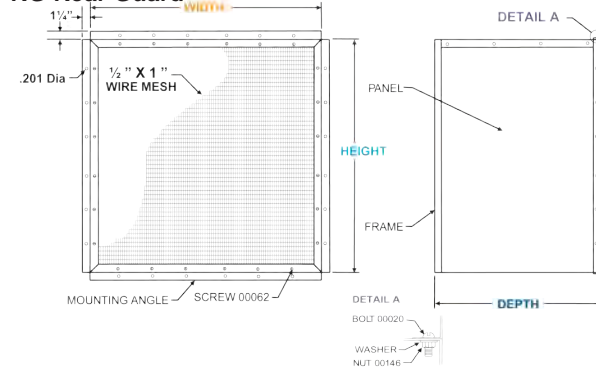
Cat. No.	A	B	C	D	E	F
WH24	30.50	30.50	15.29	18.06	9.43	30.50
WH30	36.50	36.50	18.30	21.62	11.28	36.50
WH36	42.50	42.50	21.31	25.17	13.14	42.50
WH42	48	48	19.42	28.43	10.19	48
WH48	54	54	21.04	31.98	10.65	54
WH54	60	60	22.88	35.54	11.34	60
WH60	66	66	24.04	38.59	11	66

Weatherhoods shipped knocked down for field assembly

FEATURES

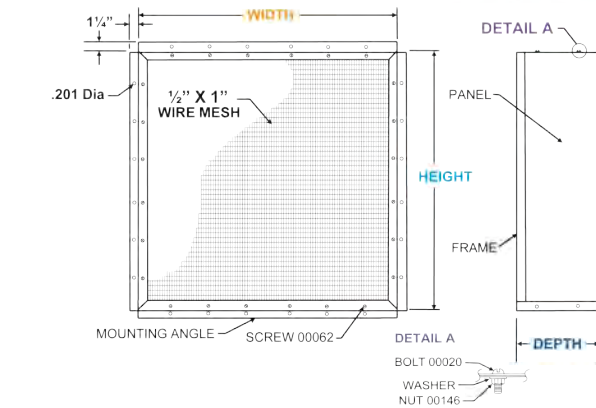
- Galvanized construction
- Removable mounting flanges on RG rear guard
- Shipped knocked down
- Easy to assemble
- 1/2" X 1" Wire Mesh Guard

RG Rear Guard



EDP No.	Model	Height	Width	Depth	Frame Material	Ship Wt.	List Price
23605	12RG	16.25	16.25	16	20 Ga.	15	\$307
23610	16RG	22.25	22.25	16	20 Ga.	20	\$385
23615	18RG	24.25	24.25	16	20 Ga.	22	\$438
23620	24RG	30.54	30.54	25	20 Ga.	28	\$463
23625	30RG	36.54	36.54	25	18 Ga.	42	\$496
23630	36RG	42.57	42.57	28	18 Ga.	75	\$811
23635	42RG	48.57	48.57	34.5	18 Ga.	101	\$1,039
23640	48RG	54.57	54.57	36.5	18 Ga.	122	\$1,267
23645	54RG	60.57	60.57	42.5	18 Ga.	335	\$1,450
23650	60RG	66.57	66.57	44.5	18 Ga.	348	\$1,647

FG Front Guard



EDP No.	Model	Height	Width	Depth	Ship Weight	List Price
23660	12FG	13.75	13.75	6	7	\$264
23665	16FG	19.75	19.75	6	10	\$281
23670	18FG	21.75	21.75	6	11	\$319
23675	24FG	27.75	27.75	6	15	\$352
23680	30FG	33.75	33.75	6	18	\$385
23685	36FG	39.75	39.75	6	28	\$471
23690	42FG	45.75	45.75	6	35	\$559
23695	48FG	51.75	51.75	6	40	\$610
23700	54FG	57.75	57.75	6	43	\$717
23705	60FG	63.75	63.75	6	48	\$825