

Direct Drive Fans

High Pressure High Velocity HV & HVEX Model



HV

1 Year Warranty Features

- Explosion Proof motors are Class I, Group D and Class II, Groups F and G. UL Listed.
- Propellers on Explosion Proof Models have Spark Resistant Aluminum Blades.
- Air Delivery Based on Standard Test Codes of AMCA
- Totally Enclosed & Explosion Proof Motors
- Fully Assembled - Ready to Install
- Full Range of Accessories



Motor Voltage Key

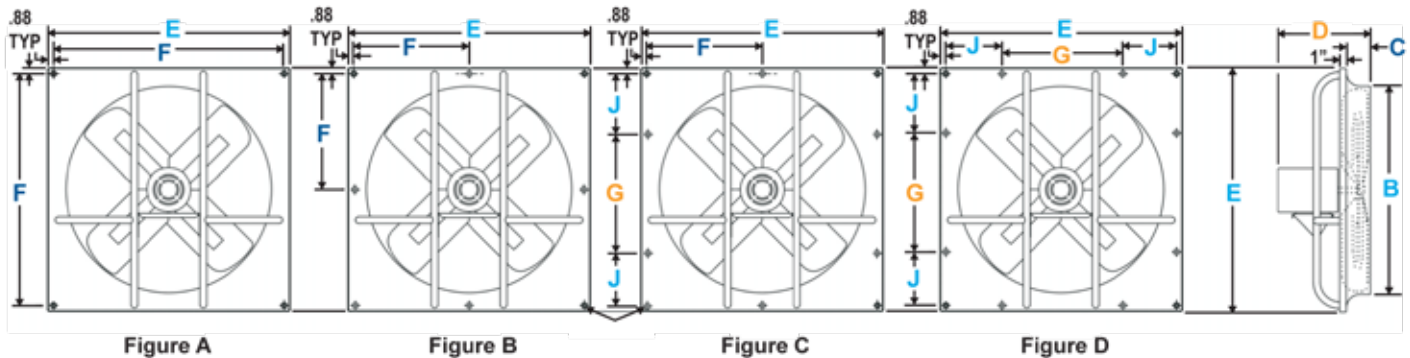
1 Phase	115/230V
3 Phase	230/460V

Fans with Totally Enclosed Motor

EDP No.	Catalog No.	Prop Dia.	Motor HP	RPM	Capacity (CFM) @ "SP in. W.G.					Max. Sones @ 5'	Ship Wt.
					0"	1/8"	1/4"	3/8"	1/2"		
25300	H12V76-1	12"	1/6	1750	1480	1360	1220	886	734	10.7	28
25305	H16V76-1	16"	1/2	1750	2700	2590	2390	2100	1740	18.5	44
25310	H16V836-1	16"									
25315	H18V76-1	18"	1/2	1750	3900	3780	3575	3280	2880	23.0	46
25320	H18V836-1	18"									
25335	H24V76-2	24"	1	1750	6860	6560	6240	5900	5426	35.4	88
25340	H24V836-2	24"									
25355	H30V76-1	30"	1	1150	9470	8750	8030	7100	5900	29.0	51
25360	H30V836-1	30"									
25365	H30V836-3	30"	3	1750	14400	13900	13450	13000	12500	60.1	130
25385	H36V836-3	36"	1½	1150	13300	12400	11600	10600	---	37.1	203
25390	H36V836-1	36"	3	1750	16890	16179	15504	14816	14125	80.1	205
25395	H36V836-2	36"	5	1750	20300	19650	19100	18600	17950	76.5	225
25415	H42V836-3	42"	1½	1150	15789	15044	14059	13020	11690	51.8	240
25420	H42V836-1	42"	3	1150	22100	21300	20500	19650	18650	51.3	295
25425	H42V836-2	42"	5	1150	26640	25968	25250	24350	23250	62.3	320
25445	H48V836-3	48"	3	850	27420	25800	24350	22600	---	40.7	315
25450	H48V836-2	48"	7½	1150	37100	35800	34700	33600	32450	70.2	360



High Pressure High Velocity HV & HVEX Models



HV & HVEX Model Dimensions

Prop Dia.	See Figure	B	C	D		E	F	G	J	H (Dia.)	# OF HOLES
				1 Phase (Max)	3 Phase (Max)						
12"	A	12.25	1.25	10	---	16	14.25	---	---	0.38	4
16"	A	16.50	1.75	12	12.25	22	18.25	---	---	0.38	4
18"	A	18.50	1.75	10	10	24	22.25	---	---	0.38	4
24"	B	24.5	2.50	12	12.25	30	14.12	---	---	0.62	8
30"	B	30.50	3.00	15	14.75	36	17.12	---	---	0.62	8
36"	C	36.5	3.25	15	15.75	42	21.12	20.25	10	0.62	10
42"	D	42.5	3.25	---	20.00	48	---	20.25	13	0.62	12
48"	D	48.5	3.25	---	22.50	54	---	20.25	16	0.62	12

Motor Voltage Key

1 Phase	115/230V
3 Phase	230/460V

Fans with Explosion Proof Motor

EDP No.	Catalog No.	Prop Dia.	Motor HP	RPM	Capacity (CFM) @ "SP in. W.G.					Max. Sones @ 5'	Ship Wt.
					0"	1/8"	1/4"	3/8"	1/2"		
25325	H18VEX76-1	18"	1/2	1750	3990	3780	3480	3020	2250	23.0	55
25330	H18VEX836-1	18"									
25345	H24VEX76-2	24"	1	1750	7820	7690	7450	7070	6450	35.4	47
25350	H24VEX836-2	24"									
25370	H30VEX76-1	30"	1	1150	10440	9750	8750	7640	6000	29.0	110
25375	H30VEX836-1	30"									
25380	H30VEX836-3	30"	3	1750	16000	15350	14700	13850	12900	60.1	202
25400	H36VEX836-3	36"	1½	1150	17620	16500	15200	13620	12300	37.1	203
25405	H36VEX836-1	36"	3	1750	18500	17700	15700	15100	13900	80.1	205
25410	H36VEX836-2	36"	5	1750	23000	22150	21100	20200	19000	76.5	225
25435	H42VEX836-1	42"	3	1150	24500	23150	23000	22000	19650	51.3	275
*25440	H42VEX836-2	42"	5	1150	28970	27960	26840	25700	24200	62.3	320
*25460	H48VEX836-2	48"	7½	1150	37000	35000	32800	30600	28000	70.2	360

See page 3 for further Explosion Proof Motor information. Shutters and Motor Kits are not Explosion Proof. Do not use speed control with HVEX fans.
* = WRHD Heavy Duty Shutter to be used with 5 and 7½ HP Fans

Direct Drive Fans

HV & HVEX Accessories

Recommended Optional Accessories for Fans with Totally Enclosed Motors & Explosion Proof Motors

EASR Exhaust Shutters

EDP No.	Catalog No.	Ship Wt.
22971	EASR-MF12	3
22973	EASR-MF18	5
22974	EASR-MF20	5
22975	EASR-MF26	9
22976	EASR-MF32	12
22977	EASR-MF38	16
22978	EASR-MF44	20
22979	EASR-MF50	23
22747	WRHD48	

WS Wall Collar

EDP No.	Catalog No.	Ship Wt.
06884	WS12	15
06886	WS18E	20
06894	WS18	19
06887	WS24	31
06888	WS30	45
06889	WS36	61
06890	WS42	89
06891	WS48	112

WC Supply Shutter

EDP No.	Catalog No.	Ship Wt.
22755	WC10	4
22621	WC16	5
22631	WC18	7
22641	WC24	9
22651	WC30	12
22661	WC36	17
22671	WC42	22
22681	WC48	25

Safety Guard Prop Side (Front)

EDP No.	Catalog No.	Ship Wt.
23660	12FG	7
23665	16FG	11
23670	18FG	11
23675	24FG	15
23680	30FG	19
23685	36FG	27
23690	42FG	34
23695	48FG	40

Note: Do not use Shutter Motor Kits with Explosion Proof Motors.
WC Supply Shutters are not weather resistant. It is recommended that the WC be used with a weatherhood.
48" & 54" Shutters - Double Panel Type; 60" - 3 Panel Type;
24"-48" Weatherhoods available
See page 62 for WS Collar Dimensions

Safety Guard Motor Side (Rear)

EDP No.	Catalog No.	Ship Wt.
23605	12RG	15
23610	16RG	21
23615	18RG	23
23620	24RG	28
23625	30RG	37
23630	36RG	64
23635	42RG	75
23640	48RG	85

Note: When an EASR-MF or WC shutter is used for exhaust or supply and mounted remote from the fan, a WS Wall Collar is not needed. The shutter is installed directly on the wall and a Motor Actuator Kit must be utilized.
EASR-MF44 and EASR-MF50 are two panel construction.
See page 63 for prop side (front) and motor side (rear) guard dimensions.

Optional Weatherhoods

EDP No.	Catalog No.	Ship Wt.
99915	WH24	67
99916	WH30	168
99917	WH36	206
99921	WH42	231
99923	WH48	303

Note: See page 63 for Weatherhood dimensions

Exhaust Shutter Manual Chain Operator

EDP No.	Catalog No.	Description
80111	Manual Chain Operator	For EASR 1 Panel Shutter
80112	Manual Chain Operator	For EASR 2 Panel Shutters

Motor Kits

EDP No.	Catalog No.	Description
22982	MTR-556 SP	120/240V, for 10"-32" Exhaust Shutters
22983	MTR-556 DP	120/240V, for 36"-48" Exhaust Shutters
22984	MTR-885 DP	120/240V, for 56"-62" Exhaust Shutters
22900	MK5047-B	120/240V, for 9"-36" Supply Shutters
22905	MK5047-C	440V, for 9"-36" Supply Shutters
22908	MK5047-E	550V, for 9"-36" Supply Shutters
22910	MK4782-F	120/420V, for 42"-54" Supply Shutters
22915	MK4782-C	440V, for 42"-54" Supply Shutters
22918	MK4782-E	550V, for 42"-54" Supply Shutters

Please specify voltage needed when ordering.
All units are for single phase operation.

60" Supply Shutter Requires (1) MK-5047 and (1) MK-4782 Motor Kit

See page 57 for Heavy Duty Shutters
See page 60 for EASR and WC Shutter Selection/Installation Information, Ship Weights and Cautions.



Shutters and Wall Collars

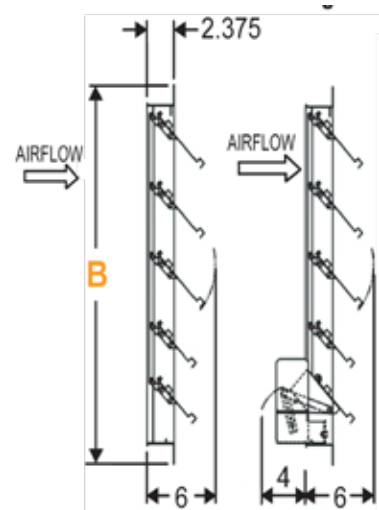
EASR & WC Shutters

Aluminum Exhaust & Supply Shutters



Features

- Indoor / Outdoor, Wall / Ceiling Mounts
- Gravity Closes when Fan is Turned Off
- Opens with Fan Pressure



EDP No.	Catalog No.	Type	For Fans Diameter	Inside (A)	Outside (B)	Required Opening (Sq. In.)	No. Holes 17/64" Diameter	Sections (Panels)	Motor Kits	Ship Wt.
22970	EASR-MF10	Exhaust	10"	10" Sq.	13" Sq.	10 ¾"	8	1	MTR-556-SP	3
22971	EASR-MF12	Exhaust	10"	12" Sq.	15" Sq.	12 ¾"	8	1	MTR-556-SP	3
22754	WC9	Supply	10"	11" Sq.	14" Sq.	11 ¾"	8	1	MK-5047	3
22755	WC10	Supply	10"	12" Sq.	15" Sq.	12 ¾"	8	1	MK-5047	4
22972	EASR-MF14	Exhaust	12"	14" Sq.	17" Sq.	14 ¾"	8	1	MTR-556-SP	4
22611	WC12	Supply	12"	14" Sq.	17" Sq.	14 ¾"	8	1	MK-5047	4
22973	EASR-MF18	Exhaust	16"	18" Sq.	21" Sq.	18 ¾"	12	1	MTR-556-SP	5
22621	WC16	Supply	16"	18" Sq.	21" Sq.	18 ¾"	12	1	MK-5047	5
22974	EASR-MF20	Exhaust	18"	20" Sq.	23" Sq.	20 ¾"	12	1	MTR-556-SP	5
22631	WC18	Supply	18"	20" Sq.	23" Sq.	20 ¾"	12	1	MK-5047	7
22975	EASR-MF26	Exhaust	24"	26" Sq.	29" Sq.	26 ¾"	12	1	MTR-556-SP	9
22641	WC24	Supply	24"	26" Sq.	29" Sq.	26 ¾"	12	1	MK-5047	9
22976	EASR-MF32	Exhaust	30"	32" Sq.	35" Sq.	32 ¾"	16	2	MTR-556-DP	12
22651	WC30	Supply	30"	32" Sq.	35" Sq.	32 ¾"	16	1	MK-5047	12
22977	EASR-MF38	Exhaust	36"	38" Sq.	41" Sq.	38 ¾"	16	2	MTR-556-DP	16
22661	WC36	Supply	36"	38" Sq.	41" Sq.	38 ¾"	16	1	MK-5047	17
22978	EASR-MF44	Exhaust	42"	44" Sq.	47" Sq.	44 ¾"	20	2	MTR-556-DP	20
22671	WC42	Supply	42"	44" Sq.	47" Sq.	44 ¾"	20	2	MK-4782	22
22979	EASR-MF50	Exhaust	48"	50" Sq.	53" Sq.	50 ¾"	20	2	MTR-556-DP	23
22681	WC48	Supply	48"	50" Sq.	53" Sq.	50 ¾"	20	2	MK-4782	25
22980	EASR-MF56	Exhaust	54"	56" Sq.	59" Sq.	56 ¾"	24	2	MTR-885-DP	27
22691	WC54	Supply	54"	56" Sq.	59" Sq.	56 ¾"	24	2	MK-4782	28
22981	EASR-MF60	Exhaust	60"	62" Sq.	65" Sq.	62 ¾"	24	3	MTR-885-DP	30
22701	WC60	Supply	60"	62" Sq.	65" Sq.	62 ¾"	24	3	(1) MK-4782 & (1) MK-5047 required	31

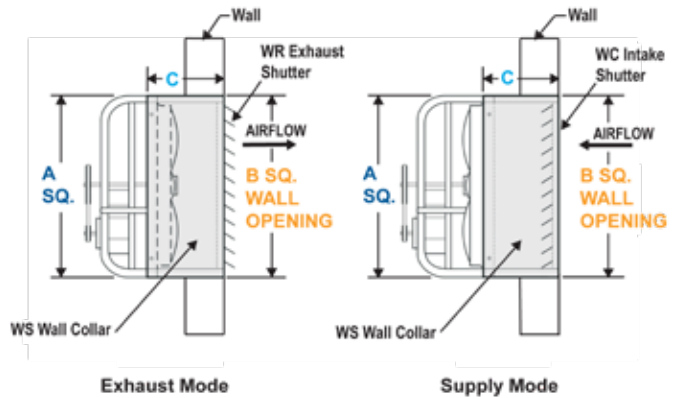
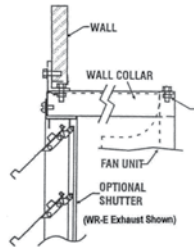
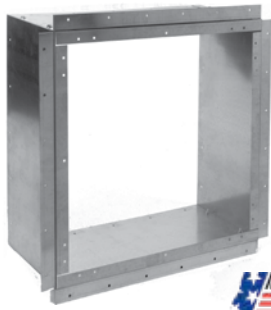
EASR-MF44 - EASR-MF56 are two panel construction. EASR-MF62 is three panel. If used for Supply Duty, a Motor Actuator Kit must be utilized with shutter.

EASR / WC SELECTION / INSTALLATION INFORMATION AND CAUTIONS: The velocity profile near the fan blade tips (spot velocity is non-uniform and will vary by fan model. This spot velocity condition can damage a backdraft damper if it exceeds the maximum recommended backdraft damper velocity. For this reason, it is recommended that the backdraft damper be mounted a minimum of 1/3 the fan diameter away from the fan outlet. It is a good practice to contact the factory when application shave a velocity approaching the maximum allowed or when the fan motor horsepower is 7-1/2 and above, or when the fan spot velocity is in excess of the backdraft damper's maximum velocity. See page 57 for WRHD Heavy Duty Shutter information. **Note:** When an EASR or WC Shutter is used for exhaust or supply and mounted remote from the fan, a WS Wall Collar is not needed. The shutter is installed directly on the wall and a Motor Actuator Kit must be utilized.



Shutters, Wall Collars, and Weatherhoods

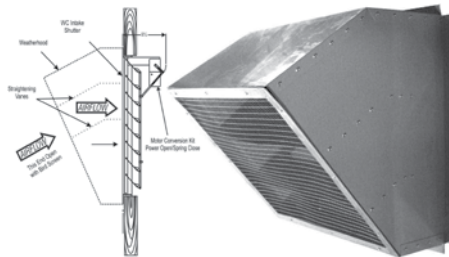
EASR & WC Shutters WS Wall Collars



EDP No.	Catalog No.	Prop Dia.	A Sq.	B. Wall Opening	C	Ship Wt.	Exhaust Shutter		Supply Shutter		Safety Motor Side (Rear Guard)	
							EDP	Catalog	EDP	Catalog	EDP	Catalog
06883	WS10	10 EPR	14	15	12	14	22970	EASR-MF10	22754	WC9	---	---
06884	WS12	12	16	17	12	15	22971	EASR-MF12	22755	WC10	23605	12RG
06885	WS16E	16 EPR	20	21	12	20	22972	EASR-MF14	22611	WC12	---	---
06886	WS18E	16	22	23	12	20	22973	EASR-MF18	22621	WC16	23610	16RG
06886	WS18E	18 EPR	22	23	12	19	22973	EASR-MF18	22621	WC16	---	---
06894	WS18	18	24	25	12	19	22974	EASR-MF20	22631	WC18	23615	18RG
06887	WS24	24	30	31	14	31	22975	EASR-MF26	22641	WC24	23620	24RG
06888	WS30	30	36	37	14 1/2	42	22976	EASR-MF32	22651	WC30	23625	30RG
06889	WS36	36	42	43	17	61	22977	EASR-MF38	22661	WC36	23630	36RG
06890	WS42	42	48	49	19	89	22978	EASR-MF44	22671	WC42	23635	42RG
06891	WS48	48	54	55	21	112	22979	EASR-MF50	22681	WC48	23640	48RG
06892	WS54	54	60	61	23	149	22980	EASR-MF56	22691	WC54	23645	54RG
06893	WS60	60	66	67	25	178	22981	EASR-MF62	22701	WC60	23650	60RG

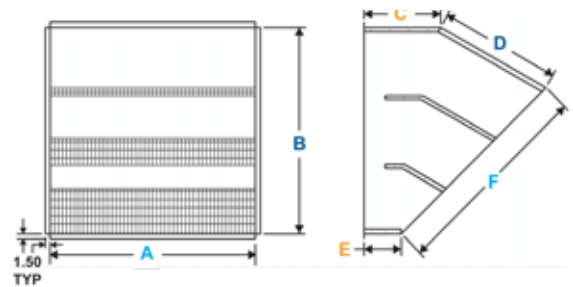
Safety motor side (rear) guards are included on all EPR, and 18" & 24" PD series fans. See page 63 for motor (rear) side guard dimensions. For epoxy coating of Wall Collars, add \$285 to list price. **Notes:** WS wall collars are shipped knocked down. Fan not included with WS wall collars. Wall collars are galvanized.

Weather Hoods



Features

- All Steel Construction
- Turning Vanes
- Bird Screen
- Galvanized



EDP No.	Catalog No.	Size	Dimensions						Ship Weight
			A	B	C	D	E	F	
99915	WH24	Hood for 24" Unit	30.50	30.50	15.29	18.06	9.43	30.50	67
99916	WH30	Hood for 30" Unit	36.50	36.50	18.30	21.62	11.28	36.50	168
99917	WH36	Hood for 36" Unit	42.50	42.50	21.31	25.17	13.14	42.50	206
99921	WH42	Hood for 42" Unit	48	48	19.42	28.43	10.19	48	231
99923	WH48	Hood for 48" Unit	54	54	21.04	31.98	10.65	54	303
99918	WH54	Hood for 54" Unit	60	60	22.88	35.54	11.34	60	342
99919	WH60	Hood for 60" Unit	66	66	24.04	38.89	11	66	384



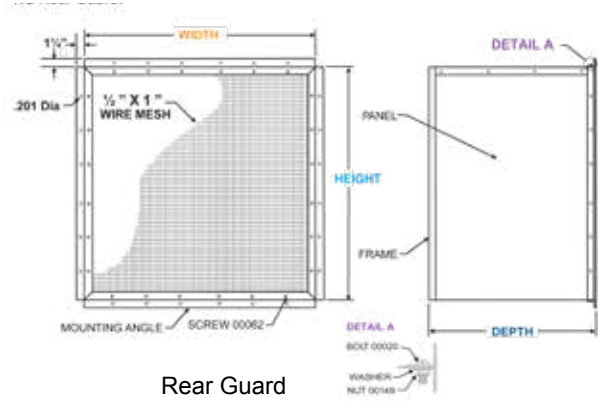
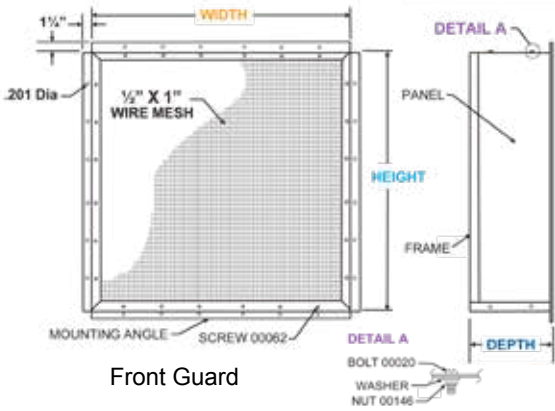
Warning: Cancer and Reproductive Harm www.P65Warnings.ca.gov
This warning is applicable to all products on this page, see page i2 for more information

Guards

FG & RG

Features

- Removable Mounting Flanges on RG Rear Guard
- 1/2" X 1" Wire Mesh Guard
- Shipped Knocked Down
- Easy to Assemble



FG Front Guard

EDP No.	Catalog No.	Height	Width	Depth	Ship Weight
23660	12FG	13.75	13.75	6	7
23665	16FG	19.75	19.75	6	10
23670	18FG	21.75	21.75	6	11
23675	24FG	27.75	27.75	6	15
23680	30FG	33.75	33.75	6	18
23685	36FG	39.75	39.75	6	28
23690	42FG	45.75	45.75	6	35
23695	48FG	51.75	51.75	6	40
23700	54FG	57.75	57.75	6	43
23705	60FG	63.75	63.75	6	48

RG Rear Guard

EDP No.	Catalog No.	Height	Width	Depth	Frame Material	Ship Weight
23605	12RG	16.25	15.25	16	20 Gauge	7
23610	16RG	22.25	22.25	16	20 Gauge	10
23615	18RG	24.25	24.25	16	20 Gauge	11
23620	24RG	30.54	30.54	25	20 Gauge	15
23625	30RG	36.54	36.54	25	18 Gauge	18
23630	36RG	42.57	42.57	28	18 Gauge	28
23635	42RG	48.57	48.57	34.5	18 Gauge	35
23640	48RG	54.57	54.57	36.5	18 Gauge	40
23645	54RG	60.57	60.57	42.5	18 Gauge	43
23650	60RG	66.57	66.57	44.5	18 Gauge	48

