

Direct Drive Fans - High Pressure High Velocity

Models HV & HVEX



Features/Specifications:

- 1 year warranty
- Fully assembled - ready to install
- Totally Enclosed & Explosion Proof Motors

Performance/Information:

Fans with Totally Enclosed Motors

EDP #	Catalog No.	Prop Dia.	Motor HP	RPM	0" SP CFM	1/8" SP CFM	1/4" SP CFM	3/8" SP CFM	1/2" SP CFM	Max Sones @ 5'	Voltage	PH	Ship Wt.
25300	H12V76-1	12"	1/6	1750	1480	1360	1220	886	734	10.7	115/230	1	28
25305	H16V76-1	16"	1/2	1750	2700	2590	2390	2100	1740	18.5	115/230	1	44
25310	H16V836-1	16"	1/2	1750	2700	2590	2390	2100	1740	18.5	230/460	3	39
25315	H18V76-1	18"	1/2	1750	3900	3780	3575	3280	2880	23.0	115/230	1	46
25320	H18V836-1	18"	1/2	1750	3900	3780	3575	3280	2880	23.0	230/460	3	42
25335	H24V76-2	24"	1	1750	6860	6560	6240	5900	5426	35.4	115/230	1	88
25340	H24V836-2	24"	1	1750	6860	6560	6240	5900	5426	35.4	230/460	3	79
25355	H30V76-1	30"	1	1150	9470	8750	8030	7100	5900	29.0	115/230	1	51
25360	H30V836-1	30"	1	1150	9470	8750	8030	7100	5900	29.0	230/460	3	118
25365	H30V836-3	30"	3	1750	14400	13900	13450	13000	12500	60.1	230/460	3	130
25385	H36V836-3	36"	1-1/2	1150	13300	12400	11600	10600		37.1	230/460	3	203
25390	H36V836-1	36"	3	1750	16890	16179	15504	14816	14125	80.1	230/460	3	205
25395	H36V836-2	36"	5	1750	20300	19650	19100	18600	17950	76.5	230/460	3	225
25415	H42V836-3	42"	1-1/2	1150	15789	15044	14059	13020	11690	51.8	230/460	3	240
25420	H42V836-1	42"	3	1150	22100	21300	20500	19650	18650	51.3	230/460	3	295
25425	H42V836-2	42"	5	1150	26640	25968	25250	24350	23250	62.3	230/460	3	320
25445	H48V836-3	48"	3	850	27420	25800	24350	22600		40.7	230/460	3	315
25450	H48V836-2	48"	7-1/2	1150	37100	35800	34700	33600	32450	70.2	230/460	3	360





Fans with Explosion Proof Motors

EDP #	Catalog No.	Prop Dia.	Motor HP	RPM	0" SP CFM	1/8" SP CFM	1/4" SP CFM	3/8" SP CFM	1/2" SP CFM	Max Sones @ 5'	Voltage	PH	Ship Wt.
25325	H18VEX76-1	18"	1/2	1750	3990	3780	3480	3020	2250	23.0	115/230	1	55
25330	H18VEX836-1	18"	1/2	1750	3990	3780	3480	3020	2250	23.0	230/460	3	49
25345	H24VEX76-2	24"	1	1750	7820	7690	7450	7070	6450	35.4	115/230	1	47
25350	H24VEX836-2	24"	1	1750	7820	7690	7450	7070	6450	35.4	230/460	3	118
25370	H30VEX76-1	30"	1	1150	10440	9750	8750	7640	6000	29.0	115/230	1	110
25375	H30VEX836-1	30"	1	1150	10440	9750	8750	7640	6000	29.0	230/460	3	118
25380	H30VEX836-3	30"	3	1750	16000	15350	14700	13850	12900	60.1	230/460	3	202
25400	H36VEX836-3	36"	1-1/2	1150	17620	16500	15200	13620	12300	37.1	230/460	3	203
25405	H36VEX836-1	36"	3	1750	18500	17700	15700	15100	13900	80.1	230/460	3	205
25410	H36VEX836-2	36"	5	1750	23000	22150	21100	20200	19000	76.5	230/460	3	225
25435	H42VEX836-1	42"	3	1150	24500	23150	23000	22000	19650	51.3	230/460	3	275
25440	H42VEX836-2	42"	5	1150	28970	27960	26840	25700	24200	62.3	230/460	3	320
25460	H48VEX836-2	48"	7-1/2	1150	37000	35000	32800	30600	28000	70.2	230/460	3	360

Accessories:

EASR Exhaust Shutter

EDP #	Catalog No.
22971	EASR-MF-12"
22973	EASR-MF-18"
22974	EASR-MF-20"
22975	EASR-MF-26"
22976	EASR-MF-32"
22977	EASR-MF-38"
22978	EASR-MF-44"
22979	EASR-MF-50"
22747	WRHD48

WS Wall Collar

EDP #	Catalog No.
06884	WS12
06886	WS18E
06894	WS18
06887	WS24
06888	WS30
06889	WS36
06890	WS42
06891	WS48

WC Supply Shutter

EDP #	Catalog No.
22755	WC10
22621	WC16
22631	WC18
22641	WC24
22651	WC30
22661	WC36
22671	WC42
22681	WC48

**Safety Guard Prop
Side (Front)**

EDP #	Catalog No.
23660	12FG
23665	16FG
23670	18FG
23675	24FG
23680	30FG
23685	36FG
23690	42FG
23695	48FG

**Safety Guard Motor
Side (Rear)**

EDP #	Catalog No.
23605	12RG
23610	16RG
23615	18RG
23620	24RG
23625	30RG
23630	36RG
23635	42RG
23640	48RG

Optional Weatherhoods

EDP #	Catalog No.
99915	12FG
99916	16FG
99917	18FG
99921	24FG
99923	30FG

Fan Component:

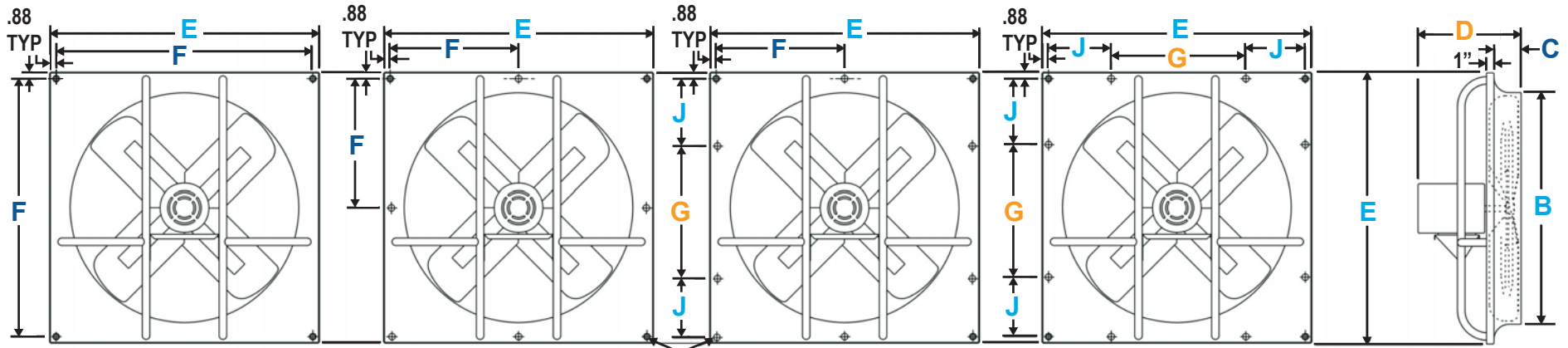


Figure A

Figure B

Figure C

Figure D

Dimensions (in.)

See Fig.	FAN SIZE	B	C	D		E	F	G	J	H (Dia.)	No. Holes
				1 Phase (Max)	3 Phase (Max)						
A	12"	12.25	1.25	10		16	14.25			.38	4
A	16"	16.5	1.75	12	12.25	22	18.25			.38	4
A	18"	18.5	1.75	10	10	24	22.25			.38	4
B	24"	24.5	2.50	12	12.25	30	14.12			.62	8
B	30"	30.5	3.00	15	14.75	36	17.12			.62	8
C	36"	36.5	3.25	15	15.75	42	21.12	20.25	10	.62	10
D	42"	42.5	3.25		20.00	48		20.25	13	.62	12
D	48"	48.5	3.25		22.50	54		20.25	16	.62	12



For Motorized Wall Shutters Add Motor Kit

Exhaust Motor Kits

EDP #	Catalog No.	Description
22982	MTR-556 SP	120/240V, for 10"- 32" exhaust shutters
22983	MTR-556 DP	120/240V, for 36"- 48" exhaust shutters
22984	MTR-885 DP	120/240V, for 56"- 62" exhaust shutters

Exhaust Shutter Manual Chain Operators

EDP #	Catalog No.	Description
80111	Manual Chain Operator	For EASR 1 Panel Shutter
80112	Manual Chain Operator	For EASR 2 Panel Shutters

Supply Motor Kits

EDP #	Catalog No.	Description
22900	MK5047-B	120/240V, for 9"- 36" supply shutters
22905	MK5047-C	440V, for 9"- 36" supply shutters
22908	MK5047-E	550V, for 9"- 36" supply shutters
22910	MK-4782-F	120/240V, for 42"- 54" supply shutters
22915	MK-4782-C	440V, for 42"- 54" supply shutters
22918	MK-4782-E	550V, for 42"- 54" supply shutters

Ordering:

Fan No.	EDP #	Qty.	Catalog No.	CFM	RPM	HP	Comments

Project		Location	
Engineer		Contractor	

Submitted by		Date		Approved by		Date	
--------------	--	------	--	-------------	--	------	--