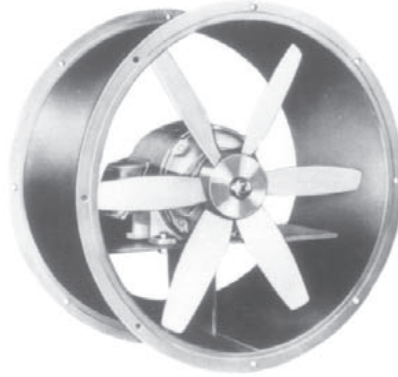


Direct Drive Fans - Tube Axial

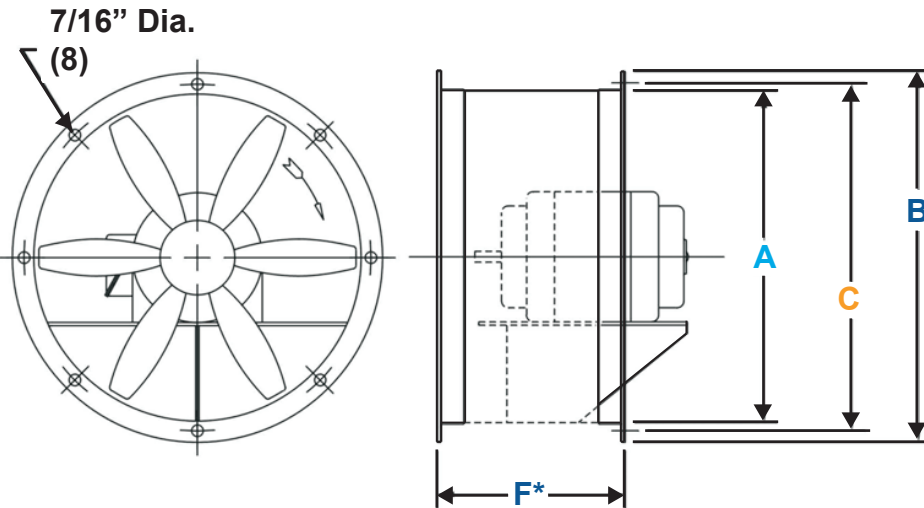
Model PLDA

Features/Specifications:

- Fan easily mounts in round duct
- Ball Bearing Standard NEMA Frame Motors
- Spark resistant cast aluminum propellers
- 1 year warranty



Fan Component:



Fan Dimensions (in.)

| Prop Dia. | A | B | C | F* |
|-----------|----|----|--------|----|
| 12" | 12 | 14 | 13 | 14 |
| 18" | 18 | 20 | 19 | 14 |
| 24" | 24 | 27 | 25-5/8 | 18 |
| 27" | 27 | 30 | 28-5/8 | 18 |
| 30" | 30 | 33 | 31-5/8 | 18 |
| 34" | 34 | 37 | 35-5/8 | 18 |
| 42" | 42 | 45 | 43-5/8 | 18 |
| 48" | 48 | 51 | 49-5/8 | 18 |

Performance/Information:

Totally Enclosed Single Speed - 1 Phase, 115/230V

| EDP # | Catalog No. | Prop Dia. | HP | Fan RPM | Capacity (CFM) @ "S.P." | | | | | | Approx Ship Wt. |
|-------|-------------|-----------|-------|---------|-------------------------|-------|-------|-------|------|------|-----------------|
| | | | | | 0" | 1/8" | 1/4" | 3/8" | 1/2" | 3/4" | |
| 32002 | PLDA12FZ | 12" | 1/2 | 3450 | 1875 | 1650 | 1400 | 1320 | 1250 | 1100 | 41 |
| 32008 | PLDA12HZ | 12" | 3/4 | 3450 | 2044 | 1960 | 1920 | 1820 | 1650 | 1500 | 50 |
| 32014 | PLDA18CA | 18" | 1/4 | 1725 | 3450 | 3050 | 2500 | 1200 | | | 60 |
| 32020 | PLDA18DA | 18" | 1/3 | 1725 | 3315 | 3000 | 2600 | 2000 | 1400 | | 90 |
| 32026 | PLDA18JA | 18" | 1 | 1725 | 4600 | 4375 | 4080 | 3600 | 3000 | 2100 | 100 |
| 32032 | PLDA24CA | 24" | 1/4 | 1725 | 5200 | 4200 | 2820 | 1050 | | | 96 |
| 32038 | PLDA24DC | 24" | 1/3 | 1140 | 4975 | 4690 | 4250 | 3920 | 2850 | | 100 |
| 32044 | PLDA24FA | 24" | 1/2 | 1725 | 6510 | 5880 | 5200 | 4150 | 3100 | 1800 | 114 |
| 32051 | PLDA24HC | 24" | 3/4 | 1140 | 6900 | 6450 | 6265 | 5600 | 3300 | | 120 |
| 32057 | PLDA24JA | 24" | 1 | 1725 | 7425 | 7000 | 6350 | 5850 | 5000 | 3300 | 150 |
| 32066 | PLDA27FA | 27" | 1/2 | 1725 | 7550 | 6829 | 6000 | 5100 | 4000 | 2000 | 122 |
| 32073 | PLDA27JA | 27" | 1 | 1725 | 9600 | 9000 | 8400 | 7775 | 7050 | 4800 | 152 |
| 32079 | PLDA27MA | 27" | 2 | 1725 | 11500 | 11200 | 10700 | 10000 | 9300 | 8000 | 175 |
| 32085 | PLDA30FA | 30" | 1/2 | 1725 | 8980 | 7650 | 6300 | 5400 | 4350 | 2300 | 128 |
| 32091 | PLDA30HC | 30" | 3/4 | 1140 | 10440 | 9750 | 8750 | 7640 | 600 | | 185 |
| 32097 | PLDA30MA | 30" | 2 | 1725 | 12000 | 11250 | 10450 | 9600 | 8700 | 6000 | 180 |
| 32109 | PLDA34KA | 34" | 1-1/2 | 1725 | 13350 | 12100 | 10000 | 9100 | 7300 | | 190 |
| 32115 | PLDA34MA | 34" | 2 | 1725 | 14850 | 13600 | 12100 | 10450 | 8800 | 4000 | 200 |



Explosion Proof Single Speed - 1 Phase, 115/230V

| EDP # | Catalog No. | Prop Dia. | HP | Fan RPM | Capacity (CFM) @ "S.P." | | | | | | Approx Ship Wt. |
|-------|-------------|-----------|-----|---------|-------------------------|-------|-------|-------|------|------|-----------------|
| | | | | | 0" | 1/8" | 1/4" | 3/8" | 1/2" | 3/4" | |
| 32004 | PLDA12FZ | 12" | 1/2 | 3450 | 1875 | 1650 | 1400 | 1320 | 1250 | 1100 | 41 |
| 32010 | PLDA12HZ | 12" | 3/4 | 3450 | 2044 | 1960 | 1920 | 1820 | 1650 | 1500 | 50 |
| 32016 | PLDA18CA | 18" | 1/4 | 1725 | 3450 | 3050 | 2500 | 1200 | | | 60 |
| 32022 | PLDA18DA | 18" | 1/3 | 1725 | 3315 | 3000 | 2600 | 2000 | 1400 | | 90 |
| 32028 | PLDA18JA | 18" | 1 | 1725 | 4600 | 4375 | 4080 | 3600 | 3000 | 2100 | 100 |
| 32034 | PLDA24CA | 24" | 1/4 | 1725 | 5200 | 4200 | 2820 | 1050 | | | 96 |
| 32040 | PLDA24DC | 24" | 1/3 | 1140 | 4975 | 4690 | 4250 | 3920 | 2850 | | 100 |
| 32046 | PLDA24FA | 24" | 1/2 | 1725 | 6510 | 5880 | 5200 | 4150 | 3100 | 1800 | 114 |
| 32053 | PLDA24HC | 24" | 3/4 | 1140 | 6900 | 6450 | 6265 | 5600 | 3300 | | 120 |
| 32059 | PLDA24JA | 24" | 1 | 1725 | 7425 | 7000 | 6350 | 5850 | 5000 | 3300 | 150 |
| 32068 | PLDA27FA | 27" | 1/2 | 1725 | 7550 | 6829 | 6000 | 5100 | 4000 | 2000 | 122 |
| 32075 | PLDA27JA | 27" | 1 | 1725 | 9600 | 9000 | 8400 | 7775 | 7050 | 4800 | 152 |
| 32081 | PLDA27MA | 27" | 2 | 1725 | 11500 | 11200 | 10700 | 10000 | 9300 | 8000 | 175 |
| 32087 | PLDA30FA | 30" | 1/2 | 1725 | 8980 | 7650 | 6300 | 5400 | 4350 | 2300 | 128 |
| 32093 | PLDA30HC | 30" | 3/4 | 1140 | 10440 | 9750 | 8750 | 7640 | 600 | | 185 |
| 32111 | PLDA30MA | 30" | 2 | 1725 | 12000 | 11250 | 10450 | 9600 | 8700 | 6000 | 180 |

Explosion Proof Single Speed - 3 Phase, 230/460V

| EDP # | Catalog No. | Prop Dia. | HP | Fan RPM | Capacity (CFM) @ "S.P." | | | | | | Approx Ship Wt. |
|-------|-------------|-----------|-------|---------|-------------------------|-------|-------|-------|-------|-------|-----------------|
| | | | | | 0" | 1/8" | 1/4" | 3/8" | 1/2" | 3/4" | |
| 32005 | PLDA12FZ | 12" | 1/2 | 3450 | 1875 | 1650 | 1400 | 1320 | 1250 | 1100 | 41 |
| 32011 | PLDA12HZ | 12" | 3/4 | 3450 | 2044 | 1960 | 1920 | 1820 | 1650 | 1500 | 50 |
| 32017 | PLDA18CA | 18" | 1/4 | 1725 | 3450 | 3050 | 2500 | 1200 | | | 60 |
| 32023 | PLDA18DA | 18" | 1/3 | 1725 | 3315 | 3000 | 2600 | 2000 | 1400 | | 90 |
| 32029 | PLDA18JA | 18" | 1 | 1725 | 4600 | 4375 | 4080 | 3600 | 3000 | 2100 | 100 |
| 32035 | PLDA24CA | 24" | 1/4 | 1725 | 5200 | 4200 | 2820 | 1050 | | | 96 |
| 32041 | PLDA24DC | 24" | 1/3 | 1140 | 4975 | 4690 | 4250 | 3920 | 2850 | | 100 |
| 32047 | PLDA24FA | 24" | 1/2 | 1725 | 6510 | 5880 | 5200 | 4150 | 3100 | 1800 | 114 |
| 32054 | PLDA24HC | 24" | 3/4 | 1140 | 6900 | 6450 | 6265 | 5600 | 3300 | | 120 |
| 32060 | PLDA24JA | 24" | 1 | 1725 | 7425 | 7000 | 6350 | 5850 | 5000 | 3300 | 150 |
| 32063 | PLDA24OA | 24" | 3 | 1725 | 10500 | 9800 | 9500 | 9100 | 8700 | 7800 | 190 |
| 32069 | PLDA27FA | 27" | 1/2 | 1725 | 7550 | 6829 | 6000 | 5100 | 4000 | 2000 | 122 |
| 32076 | PLDA27JA | 27" | 1 | 1725 | 9600 | 9000 | 8400 | 7775 | 7050 | 4800 | 152 |
| 32082 | PLDA27MA | 27" | 2 | 1725 | 11500 | 11200 | 10700 | 10000 | 9300 | 8000 | 175 |
| 32088 | PLDA30FA | 30" | 1/2 | 1725 | 8980 | 7650 | 6300 | 5400 | 4350 | 2300 | 128 |
| 32094 | PLDA30HC | 30" | 3/4 | 1140 | 10440 | 9750 | 8750 | 7640 | 600 | | 185 |
| 32100 | PLDA30MA | 30" | 2 | 1725 | 12000 | 11250 | 10450 | 9600 | 8700 | 6000 | 180 |
| 32103 | PLDA30MC | 30" | 2 | 1140 | 14000 | 13750 | 12900 | 11850 | 10450 | 2500 | 180 |
| 32106 | PLDA30OA | 30" | 3 | 1725 | 16000 | 15350 | 14700 | 13850 | 12900 | 10200 | 200 |
| 32112 | PLDA34KA | 34" | 1-1/2 | 1725 | 13350 | 12100 | 10000 | 9100 | 7300 | | 190 |
| 32118 | PLDA34MA | 34" | 2 | 1725 | 14850 | 13600 | 12100 | 10450 | 8800 | 4000 | 200 |
| 32121 | PLDA34MC | 34" | 2 | 1140 | 15950 | 15100 | 13800 | 12500 | 11400 | | 200 |
| 32124 | PLDA34OC | 34" | 3 | 1140 | 19300 | 18290 | 17230 | 16000 | 14800 | 11614 | 250 |
| 32129 | PLDA42MC | 42" | 2 | 1140 | 17964 | 17277 | 15326 | 13990 | 12351 | 7600 | 252 |
| 32134 | PLDA42PC | 42" | 5 | 1140 | 28970 | 27960 | 26840 | 25700 | 24200 | 19500 | 300 |



Totally Enclosed Single Speed - 3 Phase, 230/460V

| EDP # | Catalog No. | Prop Dia. | HP | Fan RPM | Capacity (CFM) @ "S.P." | | | | | | Approx Ship Wt. |
|-------|-------------|-----------|-------|---------|-------------------------|-------|-------|-------|-------|-------|-----------------|
| | | | | | 0" | 1/8" | 1/4" | 3/8" | 1/2" | 3/4" | |
| 32003 | PLDA12FZ | 12" | 1/2 | 3450 | 1875 | 1650 | 1400 | 1320 | 1250 | 1100 | 41 |
| 32009 | PLDA12HZ | 12" | 3/4 | 3450 | 2044 | 1960 | 1920 | 1820 | 1650 | 1500 | 50 |
| 32015 | PLDA18CA | 18" | 1/4 | 1725 | 3450 | 3050 | 2500 | 1200 | | | 60 |
| 32021 | PLDA18DA | 18" | 1/3 | 1725 | 3315 | 3000 | 2600 | 2000 | 1400 | | 90 |
| 32027 | PLDA18JA | 18" | 1 | 1725 | 4600 | 4375 | 4080 | 3600 | 3000 | 2100 | 100 |
| 32033 | PLDA24CA | 24" | 1/4 | 1725 | 5200 | 4200 | 2820 | 1050 | | | 96 |
| 32039 | PLDA24DC | 24" | 1/3 | 1140 | 4975 | 4690 | 4250 | 3920 | 2850 | | 100 |
| 32045 | PLDA24FA | 24" | 1/2 | 1725 | 6510 | 5880 | 5200 | 4150 | 3100 | 1800 | 114 |
| 32052 | PLDA24HC | 24" | 3/4 | 1140 | 6900 | 6450 | 6265 | 5600 | 3300 | | 120 |
| 32058 | PLDA24JA | 24" | 1 | 1725 | 7425 | 7000 | 6350 | 5850 | 5000 | 3300 | 150 |
| 32062 | PLDA24OA | 24" | 3 | 1725 | 10500 | 9800 | 9500 | 9100 | 8700 | 7800 | 190 |
| 32067 | PLDA27FA | 27" | 1/2 | 1725 | 7550 | 6829 | 6000 | 5100 | 4000 | 2000 | 122 |
| 32074 | PLDA27JA | 27" | 1 | 1725 | 9600 | 9000 | 8400 | 7775 | 7050 | 4800 | 152 |
| 32080 | PLDA27MA | 27" | 2 | 1725 | 11500 | 11200 | 10700 | 10000 | 9300 | 8000 | 175 |
| 32086 | PLDA30FA | 30" | 1/2 | 1725 | 8980 | 7650 | 6300 | 5400 | 4350 | 2300 | 128 |
| 32092 | PLDA30HC | 30" | 3/4 | 1140 | 10440 | 9750 | 8750 | 7640 | 600 | | 185 |
| 32098 | PLDA30MA | 30" | 2 | 1725 | 12000 | 11250 | 10450 | 9600 | 8700 | 6000 | 180 |
| 32102 | PLDA30MC | 30" | 2 | 1140 | 14000 | 13750 | 12900 | 11850 | 10450 | 2500 | 180 |
| 32105 | PLDA30OA | 30" | 3 | 1725 | 16000 | 15350 | 14700 | 13850 | 12900 | 10200 | 200 |
| 32110 | PLDA34KA | 34" | 1-1/2 | 1725 | 13350 | 12100 | 10000 | 9100 | 7300 | | 190 |
| 32116 | PLDA34MA | 34" | 2 | 1725 | 14850 | 13600 | 12100 | 10450 | 8800 | 4000 | 200 |
| 32120 | PLDA34MC | 34" | 2 | 1140 | 15950 | 15100 | 13800 | 12500 | 11400 | | 200 |
| 32123 | PLDA34OC | 34" | 3 | 1140 | 19300 | 18290 | 17230 | 16000 | 14800 | 11614 | 250 |
| 32126 | PLDA42JD | 42" | 1 | 870 | 15800 | 15200 | 13480 | 12310 | 5800 | 900 | 260 |
| 32128 | PLDA42MC | 42" | 2 | 1140 | 17964 | 17277 | 15326 | 13990 | 12351 | 7600 | 252 |
| 32131 | PLDA42MD | 42" | 2 | 870 | 22040 | 21000 | 20500 | 18500 | 15000 | 6000 | 260 |
| 32133 | PLDA42PC | 42" | 5 | 1140 | 28970 | 27960 | 26840 | 25700 | 24200 | 19500 | 300 |
| 32136 | PLDA48OC | 48" | 3 | 1140 | 28600 | 26500 | 24400 | 22000 | 20000 | 15900 | 290 |
| 32138 | PLDA48OD | 48" | 3 | 870 | 28700 | 26500 | 24200 | 21600 | 18500 | 10000 | 290 |
| 32140 | PLDA48PD | 48" | 5 | 870 | 33000 | 31500 | 29750 | 27650 | 25300 | 18000 | 310 |

PLDA Tube Axial Accessories

Matching Flange (1 ea.)

| EDP # | Catalog No. | Prop Dia. |
|-------|----------------|-----------|
| 32141 | PLDA Accessory | 12" |
| 32146 | PLDA Accessory | 18" |
| 32152 | PLDA Accessory | 24" |
| 32157 | PLDA Accessory | 27" |
| 32162 | PLDA Accessory | 30" |
| 32167 | PLDA Accessory | 34" |
| 32173 | PLDA Accessory | 42" |
| 32178 | PLDA Accessory | 48" |

Inspection Door

| EDP # | Catalog No. | Prop Dia. |
|-------|----------------|-----------|
| 32147 | PLDA Accessory | 18" |
| 32153 | PLDA Accessory | 24" |
| 32158 | PLDA Accessory | 27" |
| 32163 | PLDA Accessory | 30" |
| 32168 | PLDA Accessory | 34" |
| 32174 | PLDA Accessory | 42" |
| 32179 | PLDA Accessory | 48" |

Guard (each)

| EDP # | Catalog No. | Prop Dia. |
|-------|----------------|-----------|
| 32143 | PLDA Accessory | 12" |
| 32148 | PLDA Accessory | 18" |
| 32154 | PLDA Accessory | 24" |
| 32159 | PLDA Accessory | 27" |
| 32164 | PLDA Accessory | 30" |
| 32169 | PLDA Accessory | 34" |
| 32175 | PLDA Accessory | 42" |
| 32180 | PLDA Accessory | 48" |



Epoxy Coating

| EDP # | Catalog No. | Prop Dia. |
|-------|----------------|-----------|
| 32144 | PLDA Accessory | 12" |
| 32149 | PLDA Accessory | 18" |
| 32155 | PLDA Accessory | 24" |
| 32160 | PLDA Accessory | 27" |
| 32165 | PLDA Accessory | 30" |
| 32171 | PLDA Accessory | 34" |
| 32176 | PLDA Accessory | 42" |
| 32181 | PLDA Accessory | 48" |

Cont. Weld of Flange to Drum

| EDP # | Catalog No. | Prop Dia. |
|-------|----------------|-----------|
| 32145 | PLDA Accessory | 12" |
| 32151 | PLDA Accessory | 18" |
| 32156 | PLDA Accessory | 24" |
| 32161 | PLDA Accessory | 27" |
| 32166 | PLDA Accessory | 30" |
| 32172 | PLDA Accessory | 34" |
| 32177 | PLDA Accessory | 42" |
| 32182 | PLDA Accessory | 48" |

NOTE: For special custom order products - once in production, non-cancellable, non returnable under any circumstances.

Ordering:

| Fan No. | EDP # | Qty. | Catalog No. | HP | RPM | Comments |
|---------|-------|------|-------------|----|-----|----------|
| | | | | | | |
| | | | | | | |
| | | | | | | |

| | | | |
|----------|--|------------|--|
| Project | | Location | |
| Engineer | | Contractor | |

| | | | | | | | |
|--------------|--|------|--|-------------|--|------|--|
| Submitted by | | Date | | Approved by | | Date | |
|--------------|--|------|--|-------------|--|------|--|