

Belt Drive Cabinet Fan with Auto Shutters

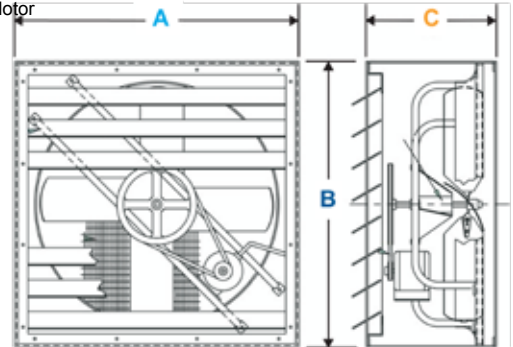
115V, 115/230V & 230/460V
CWF Models



1 Year Warranty

Features

- 115V, 115/230V, 1 Phase & 230/460V 3 Phase Motors
- Explosion Proof Motor Class I Group D; Class II, Groups F & G
- Aluminum Shutters, Inlet Guard, Ball Bearing Motor
- Heavy Gauge Galvanized Steel Housing
- Fully Assembled for Quick Installation



Open Drip Proof (ODP), 115V, 1 Phase

EDP No.	Catalog No.	Prop Dia.	HP	RPM	Capacity (CFM) @ "SP in. W.G.			Cabinet Size			Max. Sones @ 5'	Ship Wt.
					0"	1/8"	1/4"	A	B	C		
39220	CWF-30-2A	30"	1/2	574	6066	3370	2714	36.5"	36.5"	19"	10.99	139
39230	CWF-36-2A	36"	1/2	415	8143	4044	2814	42.5"	42.5"	19.5"	9.5	150
39240	CWF-42-3A	42"	3/4	413	11039	5950	5397	48.5"	48.5"	19.75"	12.6	275
39250	CWF-48-4A	48"	1	372	14970	10509	7084	54.5"	54.5"	19"	12.5	310

Totally Enclosed Fan Cooled Motor (TEFC), 115/230V, 1 Phase

EDP No.	Catalog No.	Prop Dia.	HP	RPM	Capacity (CFM) @ "SP in. W.G.			Cabinet Size			Max. Sones @ 5'	Ship Wt.
					0"	1/8"	1/4"	A	B	C		
39236	CWF-36-3AS1E	36"	3/4	415	8143	4044	2814	42.5"	42.5"	25"	9.5	177
39257	CWF-48-4A1E	48"	1	372	14970	10509	7084	54.5"	54.5"	25"	12.5	341

Totally Enclosed Fan Cooled Motor (TEFC), 230/460V, 3 Phase

EDP No.	Catalog No.	Prop Dia.	HP	RPM	Capacity (CFM) @ "SP in. W.G.			Cabinet Size			Max. Sones @ 5'	Ship Wt.
					0"	1/8"	1/4"	A	B	C		
39223	CWF-30-2A3E	30"	1/2	574	6066	3370	2714	36.5"	36.5"	25"	10.9	153
39237	CWF-36-2A3E	36"	1/2	415	8143	4044	2814	42.5"	42.5"	25"	9.5	181
39247	CWF-42-3A3E	42"	3/4	413	11039	5950	5397	48.5"	48.5"	25"	12.6	297
39255	CWF-48-4A3E	48"	1	372	14970	10509	7084	54.5"	54.5"	25"	12.5	341

Explosion Proof Motor (EXP), 115/230V, 1 Phase

EDP No.	Catalog No.	Prop Dia.	HP	RPM	Capacity (CFM) @ "SP in. W.G.			Cabinet Size			Max. Sones @ 5'	Ship Wt.
					0"	1/8"	1/4"	A	B	C		
39225	CWF-30-2A1X	30"	1/2	574	6066	3370	2714	36.5"	36.5"	25"	10.9	168
39234	CWF-36-2A1X	36"	1/2	415	8143	4044	2814	42.5"	42.5"	25"	9.5	181
39241	CWF-42-3A1X	42"	3/4	413	11039	5950	5397	48.5"	48.5"	25"	12.6	317
39246	CWF-48-4A1X	48"	1	372	14970	10509	7084	54.5"	54.5"	25"	12.5	353

See page 3 for further Explosion Proof Motor Information.