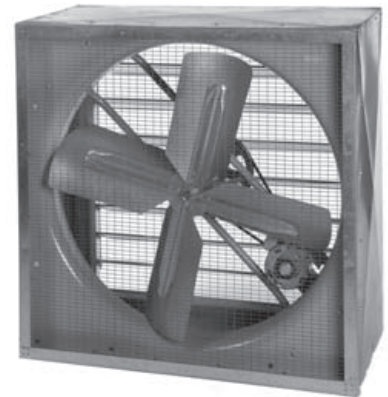


Belt Drive Cabinet Fan with Auto Shutters

Model CWF



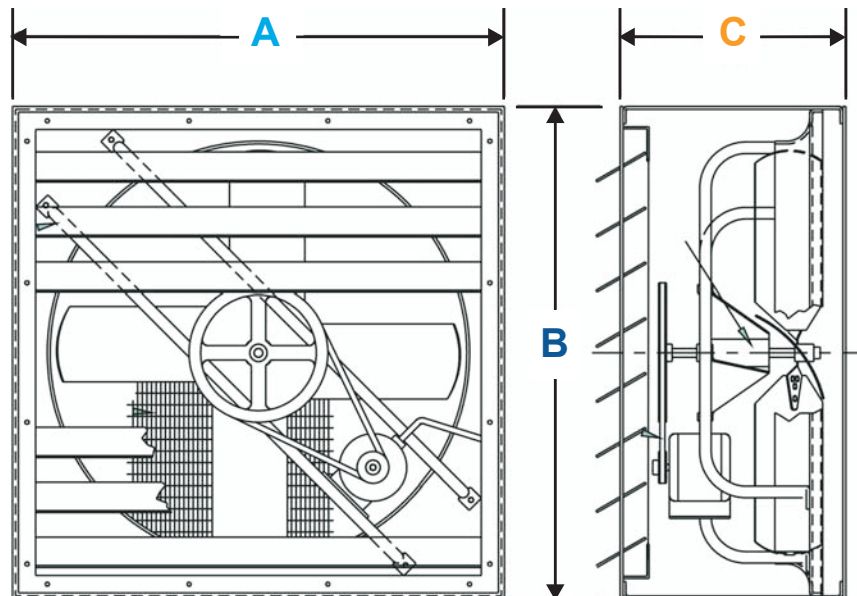
Features/Specifications:

- 1 year warranty
- Heavy gauge galvanized steel housing
- Aluminum shutters
- Inlet guard
- Ball bearing motor
- 115V, 115/230V 1 Phase & 230/460V 3 Phase motors

Performance:

Prop Dia.	Cabinet Size	0" SP CFM	1/8" SP CFM	1/4" SP CFM	RPM
30"	36-1/2" x 19"W or 25"W	6066	3370	2714	574
36"	42-1/2" x 19"W or 25"W	8143	4044	2814	415
42"	48-1/2" x 19"W or 25"W	11039	5950	5397	413
48"	54-1/2" x 19"W or 25"W	14970	10509	7084	372

Fan Component:



Information/Dimensions:

ODP 115V

EDP #	Catalog No.	Prop Dia.	Cabinet Size			HP	PH	Max. Sones @ 5'	Ship Wt.
			A	B	C				
39220	CWF-30-2A	30"	36-1/2"	36-1/2"	19"	1/2 (ODP)	1	10.99	139
39230	CWF-36-2A	36"	42-1/2"	42-1/2"	19-1/2"	1/2 (ODP)	1	9.5	150
39240	CWF-42-3A	42"	48-1/2"	48-1/2"	19-3/4"	3/4 (ODP)	1	12.6	275
39250	CWF-48-4A	48"	54-1/2"	54-1/2"	19"	1 (ODP)	1	12.5	310



TEFC 115/230V

EDP #	Catalog No.	Prop Dia.	Cabinet Size			HP	PH	Max. Sones @ 5'	Ship Wt.
			A	B	C				
39236	CWF-36-3AS1E	36"	42-1/2"	42-1/2"	25"	3/4 (TEFC)	1	9.5	177
39257	CWF-48-4A1E	48"	54-1/2"	54-1/2"	25"	1 (TEFC)	1	12.5	341

TEFC 230/460V

EDP #	Catalog No.	Prop Dia.	Cabinet Size			HP	PH	Max. Sones @ 5'	Ship Wt.
			A	B	C				
39223	CWF-30-2A1X	30"	36-1/2"	36-1/2"	25"	1/2 (TEFC)	3	10.9	153
39237	CWF-36-2A1X	36"	42-1/2"	42-1/2"	25"	1/2 (TEFC)	3	9.5	181
39247	CWF-42-3A1X	42"	48-1/2"	48-1/2"	25"	3/4 (TEFC)	3	12.6	297
39255	CWF-48-4A1X	48"	54-1/2"	54-1/2"	25"	1 (TEFC)	3	12.5	341

EXP 115/230V

EDP #	Catalog No.	Prop Dia.	Cabinet Size			HP	PH	Max. Sones @ 5'	Ship Wt.
			A	B	C				
39225	CWF-30-2A1X	30"	36-1/2"	36-1/2"	25"	1/2 (EXP)	1	10.9	168
39234	CWF-36-2A1X	36"	42-1/2"	42-1/2"	25"	1/2 (EXP)	1	9.5	181
39241	CWF-42-3A1X	42"	48-1/2"	48-1/2"	25"	3/4 (EXP)	1	12.6	317
39246	CWF-48-4A1X	48"	54-1/2"	54-1/2"	25"	1 (EXP)	1	12.5	353

ODP = Open Drip Proof Motor, TEFC = Totally Enclosed, Fan Cooled Motor, EXP = Explosion Proof Motor, Class I, Group D; Class II, Groups F & G

Ordering:

Fan No.	EDP #	Qty.	Catalog No.	HP	PH	Comments

Project		Location	
Engineer		Contractor	

Submitted by		Date		Approved by		Date	
--------------	--	------	--	-------------	--	------	--