

# Belt Drive Centrifugal Upblast Exhaust Fans

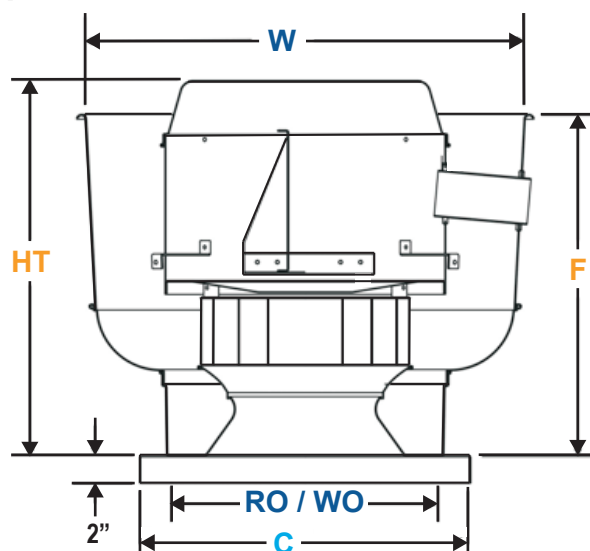
## Model CBU

### Features/Specifications:

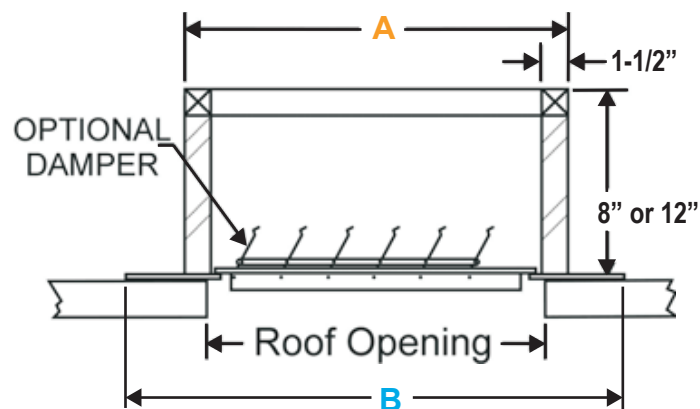
- Non-overloading backward inclined aluminum wheel
- Suitable for wall mount up through CBU245MA
- Emergency disconnect switch standard
- AMCA Licensed for Sound and Air
- ETL Listed for Over Cooking and Grease Laden Air
- 1 year warranty



### Fan Component:



### Curb with Optional Damper:



### Fan Dimensions (in.)

Catalog No.	Wheel Dia.	HT	W	C	F	RO / WO
CBU130	13"	27.25	30.25	21	21.50	16
CBU150	15"	30.50	33.75	24.75	23.00	20
CBU180	18"	33.75	39.38	28	22.63	24
CBU200	20"	33.68	38.88	28	29.50	24
CBU245	24"	37.50	43.38	33	30.68	28
CBU300	30"	40.00	52.75	40	33.50	36
CBU365	36"	45.56	63.44	44	43.44	40

### Curb Dimensions (in.)

Curb Cat. No.	Ship Wt.	A	B	Roof Opening	Damper Cat. No.
PACA20	20	20	24	16	BD16.75A
PACA23.75	23	23.75	27.75	20	BD29A
PACA27	28	27	31	24	BD23.75A
PACA32	39	32	36	28	BD37A
PACA39	42	39	43	36	BD44A
PACA43	45	43	47	40	BD39.75A



**Performance/Information:**

Catalog No.	Wheel Dia.	HP	Fan RPM	Sones @ .25	Capacity (CFM) at "S.P."							Ship Wt.
					1/4"	3/8"	1/2"	3/4"	1"	1-1/4"	1-1/2"	
CBU130CA	13"	1/4	1125	11	1590	1500	1380	1000	-	-	-	120
CBU130DA	13"	1/3	1225	14.6	1760	1700	1575	1325	-	-	-	120
CBU130FA	13"	1/2	1425	18	2100	2050	1950	1780	1550	-	-	120
CBU150DA	15"	1/3	1000	13	2300	2100	1910	1380	-	-	-	130
CBU150FA	15"	1/2	1200	15.6	2800	2650	2570	2360	1900	-	-	130
CBU150HA	15"	3/4	1300	20	3150	2950	2850	2610	2300	1850	-	140
CBU150JA	15"	1	1500	24	3600	3500	3450	3290	3050	2750	2500	140
CBU180DA	18"	1/3	800	11	2700	2500	2260	1760	-	-	-	150
CBU180FA	18"	1/2	900	13	3125	3000	2750	2480	-	-	-	150
CBU180HA	18"	3/4	1000	15	3550	3400	3250	2900	2750	-	-	160
CBU180JA	18"	1	1100	17	3900	3880	3700	3400	3150	2800	-	160
CBU180KA	18"	1-1/2	1300	23	4750	4625	4520	4300	4125	3875	3625	180
CBU200FA	20"	1/2	700	10	3450	3325	2825	-	-	-	-	155
CBU200HA	20"	3/4	800	12	4075	3950	3600	2950	-	-	-	165
CBU200JA	20"	1	900	15.8	4700	4575	4325	3825	3200	-	-	165
CBU200KA	20"	1-1/2	1100	22	5825	5700	5580	5300	4900	4450	4100	185
CBU245JA	24"	1	625	12.5	4625	4375	4000	3000	-	-	-	200
CBU245KA	24"	1-1/2	725	15.5	5600	5350	4050	4500	3625	-	-	220
CBU245MA	24"	2	825	18.9	6550	6400	6100	5600	5000	4375	-	230
CBU245OA	24"	3	925	19.8	7450	7250	7050	6650	6150	5650	5000	230
CBU245PA	24"	5	1125	32	9250	9050	8875	8625	8250	7750	7400	270
CBU300HA	30"	3/4	450	10	5250	4750	3900	-	-	-	-	340
CBU300KA	30"	1-1/2	550	12.5	6750	6250	5800	4800	-	-	-	360
CBU300MA	30"	2	650	17	8200	7800	7500	7250	6000	5250	-	370
CBU300OA	30"	3	750	20	9600	9400	9100	8500	7800	7200	6250	370
CBU300PA	30"	5	850	26	11000	10750	10500	10100	9500	9000	8350	410
CBU365KA	36"	1-1/2	400	13	9600	8800	7800					500
CBU365OA	36"	3	500	19	12500	12000	11500	10000	8100			510
CBU365PA	36"	5	600	28	15500	15000	14500	13600	12500	11000	9000	550

**Optional Accessories**

**Single Speed (ODP)**

**115/230V 1 Phase**

EDP #	Catalog No.
32524	CBU130CA
32525	CBU130DA
32526	CBU130FA
32528	CBU150DA
32529	CBU150FA
32532	CBU150HA
32534	CBU150JA
32536	CBU180DA
32537	CBU180FA
32539	CBU180HA
32541	CBU180JA
32543	CBU180KA
32546	CBU200FA
32548	CBU200HA
32552	CBU200JA
32554	CBU200KA
32556	CBU245HA
32558	CBU245JA
32560	CBU245KA
32565	CBU300HA
32567	CBU300JA
32569	CBU300KA
32577	CBU365KA

**208/230/460V 3 Phase**

EDP #	Catalog No.
32527	CBU130FA
32531	CBU150FA
32533	CBU150HA
32535	CBU150JA
32538	CBU180FA
32540	CBU180HA
32542	CBU180JA
32544	CBU180DA
32547	CBU180KA
32549	CBU200FA
32553	CBU200HA
32555	CBU200JA
32557	CBU200KA
32559	CBU245HA
32561	CBU245JA
32562	CBU245MA
32563	CBU245OA
32564	CBU245PA
32566	CBU300HA
32568	CBU300JA
32573	CBU300KA
32574	CBU300MA
32575	CBU300OA
32576	CBU300PA
32578	CBU365KA
32580	CBU365OA
32581	CBU365PA

Performance shown is for installation type A: Free inlet, Free outlet. Performance ratings do not include the effects of appurtenances in the airstream. Power rating (BHP) does not include transmission losses. The sound ratings shown are loudness values in fan sones at 5 ft. (1.5 m) in a hemispherical free field calculated per AMCA Standard 301. Values shown are for Intallation Type A: Free inlet hemispherical sone levels.

## Optional Accessories

### 8" Curb

EDP #	Catalog No.	Used with CBD Models No.
31102	PACA20-8	CBU130CA, CBU130DA, CBU130FA
31107	PACA23.75-8	CBU150DA, CBU150FA, CBU150HA, CBU150JA
31112	PACA27-8	CBU180FA, CBU180HA, CBU180JA, CBU180KA, CBU180MA, CBU200FA, CBU200HA, CBU200JA, CBU200KA, CBU200MA
31115	PACA32-8	CBU245HA, CBU245JA, CBU245KA, CBU245MA, CBU245OA
31118	PACA39-8	CBU300JA, CBU300KA, CBU300MA, CBU300OA, CBU300PA
31121	PACA43-8	CBU365JA, CBU365KA, CBU365MA, CBU365OA, CBU365PA

### 12" Curb

EDP #	Catalog No.	Used with CBD Models No.
31103	PACA20-12	CBU130CA, CBU130DA, CBU130FA
31108	PACA23.75-12	CBU150DA, CBU150FA, CBU150HA, CBU150JA
31113	PACA27-12	CBU180FA, CBU180HA, CBU180JA, CBU180KA, CBU180MA, CBU200FA, CBU200HA, CBU200JA, CBU200KA, CBU200MA
31116	PACA32-12	CBU245HA, CBU245JA, CBU245KA, CBU245MA, CBU245OA
31119	PACA39-12	CBU300JA, CBU300KA, CBU300MA, CBU300OA, CBU300PA
31122	PACA43-12	CBU365JA, CBU365KA, CBU365MA, CBU365OA, CBU365PA

### 18" High Ventilated Curb

EDP #	Catalog No.	Used with CBD Models No.
31104	PACA20-18V	CBU130CA, CBU130DA, CBU130FA
31109	PACA23.75-18V	CBU150DA, CBU150FA, CBU150HA, CBU150JA
31114	PACA27-18V	CBU180FA, CBU180HA, CBU180JA, CBU180KA, CBU180MA, CBU200FA, CBU200HA, CBU200JA, CBU200KA, CBU200MA
31117	PACA32-18V	CBU245HA, CBU245JA, CBU245KA, CBU245MA, CBU245OA
31120	PACA39-18V	CBU300JA, CBU300KA, CBU300MA, CBU300OA, CBU300PA
31123	PACA43-18V	CBU365JA, CBU365KA, CBU365MA, CBU365OA, CBU365PA



### Damper - Motor Kit

EDP #	Catalog No.	EDP # Used with CBD Models No.
94283	Motor Kit	CBU130CA, CBU130DA, CBU130FA, CBU150DA, CBU150FA
94282	Motor Kit	CBU150HA, CBU150JA, CBU180DA, CBU180FA, CBU180HA, CBU180JA, CBU180KA, CBU180MA, CBU200FA, CBU200HA, CBU245KA, CBU245MA, CBU245OA, CBU300JA, CBU300KA, CBU300MA, CBU300OA, CBU300PA, CBU365JA, CBU365KA, CBU365MA, CBU365OA, CBU365PA

### Damper - Gravity

EDP #	Catalog No.	Ship Wt.	Used with CBD Models No.
32453	BD16.75A	4	CBU130CA, CBU130DA, CBU130FA
32455	BD29A	6	CBU150DA, CBU150FA, CBU150HA, CBU150JA
32456	BD23.75A	7	CBU180FA, CBU180HA, CBU180JA, CBU180KA, CBU180MA, CBU200FA, CBU200HA, CBU200JA, CBU200KA, CBU200MA
32518	BD37A	9	CBU245HA, CBU245JA, CBU245KA, CBU245MA, CBU245OA
32457	BD44A	16	CBU300JA, CBU300KA, CBU300MA, CBU300OA, CBU300PA
32458	BD39.75A	18	CBU365JA, CBU365KA, CBU365MA, CBU365OA, CBU365PA

### Wall Mount Damper

EDP #	Catalog No.	EDP # Used with CBD Models No.
32453	BD16.75A	CBU130CA, CBU130DA, CBU130FA
32455	BD29A	CBU150DA, CBU150FA, CBU150HA, CBU150JA
32456	BD23.75A	CBU180FA, CBU180HA, CBU180JA, CBU180KA, CBU180MA, CBU200FA, CBU200HA, CBU200JA, CBU200KA, CBU200MA
32518	BD37A	CBU245HA, CBU245JA, CBU245KA, CBU245MA

Wall Mount Brackets available through  
CBU245MA - contact factory



**Accessories**

EDP #	Catalog No.	Description
62000	Curb Hinge	Curb Hinge
62002	Bird Screen	Bird Screen
62003	Grease Box	Grease Box

**Ordering:**

Fan No.	EDP #	Qty.	Catalog No.	CFM	RPM	Watts	Pressure	Comments

Project		Location	
Engineer		Contractor	

Submitted by		Date		Approved by		Date	
--------------	--	------	--	-------------	--	------	--