

# Industrial Air Circulators

Oscillating/Non-Oscillating 115V



## Features:

- 3 year warranty
- 18" and 20": 1 phase, 2 speed, 1/15 HP
- 24" and 30": 1 phase, 3 speed, 1/3 HP
- Totally enclosed air over ball bearing motors
- Galvanized steel propeller
- 15 foot three conductor supply cord and plug



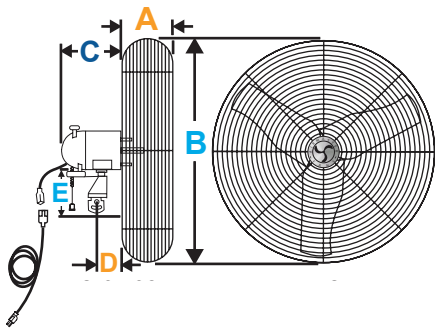
## Non-Oscillating Performance:

Prop Dia.	CFM			RPM			Motor Number	F.L. Amps
	High	Med.	Low	High	Med.	Low		
18"	2520		1850	1480		1020	I-1820TEM	2.6
20"	2670		2035	1650		1240	I-1820TEM	2.6
24"	5520	4020	2820	1080	700	540	I-3A	3.0
30"	7185	5300	3415	1080	700	540	I-3A	3.0

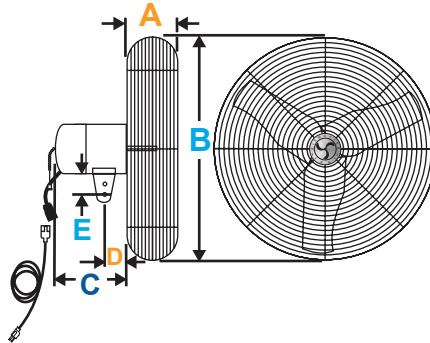
## Oscillating Performance:

Prop Dia.	CFM			RPM			Motor Number	F.L. Amps
	High	Med.	Low	High	Med.	Low		
24"	5548	4699	4062	1110	958	856	0-3B	3.2
30"	7794	5943	5143	1091	871	759	0-3B	3.2

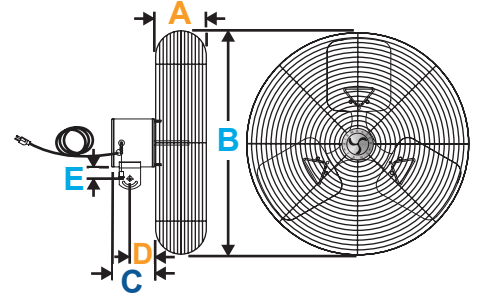
## Fan Component:



O-3B 3SP Totally Enclosed Oscillating Motor with 15' Three Conductor Cord and Plug



I-3A 3SP Totally Enclosed Non-Oscillating Motor with 15' Three Conductor Cord and Plug

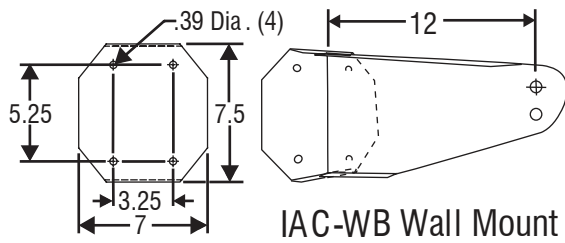


I-1820M 2SP Open & I-1820TEM Totally Enclosed Non-Oscillating Motor with 10' Cord & Plug

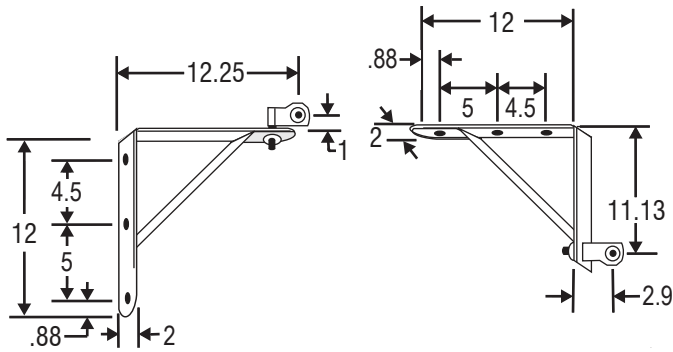
Model	18" & 20" Fan		24" Fan		30" Fan		C	D	E
	A	B	A	B	A	B			
I-1820M 2SP Motor	5.75	22.5					4.75	2.63	2.58
I-1820TEM 2SP Motor	5.75	22.5					4.75	2.63	2.58
I-3A 3SP Motor			6-1/4	26.9	5.25	33.39	9.84	2.95	1.31
O-3B 3SP Osc. Motor			6-1/4	26.9	5.25	33.39	11.22	3.15	4.78

## Mounting Options:

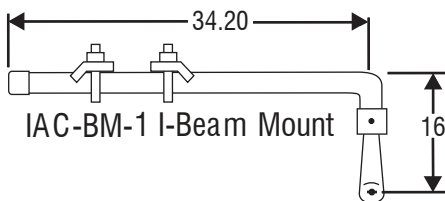
### Wall Mount Bracket



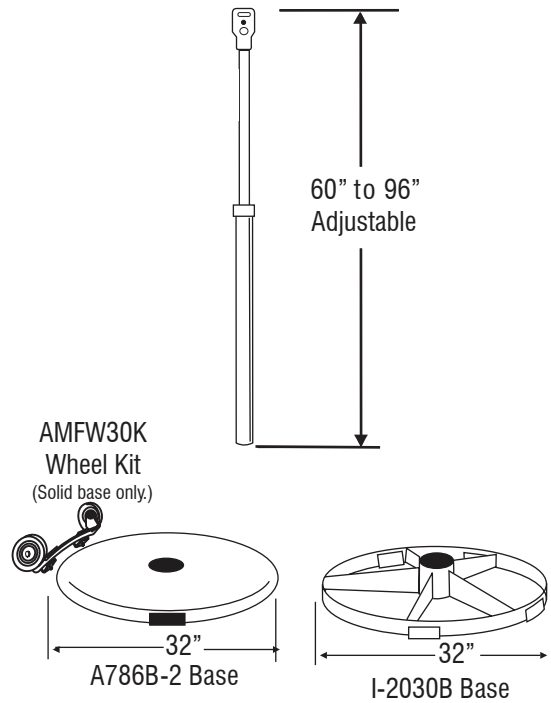
### Wall/Vertical Mount Bracket



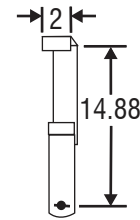
### I-Beam Mount Bracket



### Pedestals & Bases



### Suspension Mount Bracket



## Information:

### Non-Oscillating Unit Packs

EDP #	Catalog No.	Prop Dia.	Fan Style	Ship Wt.
71760	UPI-24PA2A (3-SP)	24"	Adjustable Floor (S.B.)	81
71725	I-24W2A (3-SP)	24"	Wall/Ceiling Model	44
71526	UPI-30PA2A (3-SP)	30"	Adjustable Floor (S.B.)	90
71726	I-30W2A (3-SP)	30"	Wall/Ceiling Model	49

### Non-Oscillating Assembled Fan Heads

EDP #	Catalog No.	Prop Dia.	Fan Style	HP	Ship Wt.
37113	I-18TEHA	18"	Head Assembly	1/15*	24
37114	I-20TEHA	20"	Head Assembly	1/15*	27
37209	I-24-2	24"	Head Assembly	1/3	37
37212	I-30	30"	Head Assembly	1/3	48



Oscillating Unit Packs

EDP #	Catalog No.	Prop Dia.	Fan Style	Ship Wt.
71567	I-24-OAP	24"	Adjustable Floor	86
71565	I-24-OIW	24"	Wall Mount	57
71568	I-30-OAP	30"	Adjustable Floor	95
71566	I-30-OIW	30"	Wall Mount	61

Oscillating Assembled Fan Heads

EDP #	Catalog No.	Prop Dia.	Fan Style	Ship Wt.
71610	24-IAC-MGBO	24"	Head Assembly	46
38422	30-IAC-MGBO	30"	Head Assembly	56

For Mounting Option replacement parts and Other Components see Industrial Air Circulators - Component Parts submittal sheet.

**Ordering:**

Fan No.	EDP #	Qty.	Catalog No.	CFM	RPM	HP	Comments

Project		Location	
Engineer		Contractor	

Submitted by		Date		Approved by		Date	
--------------	--	------	--	-------------	--	------	--