

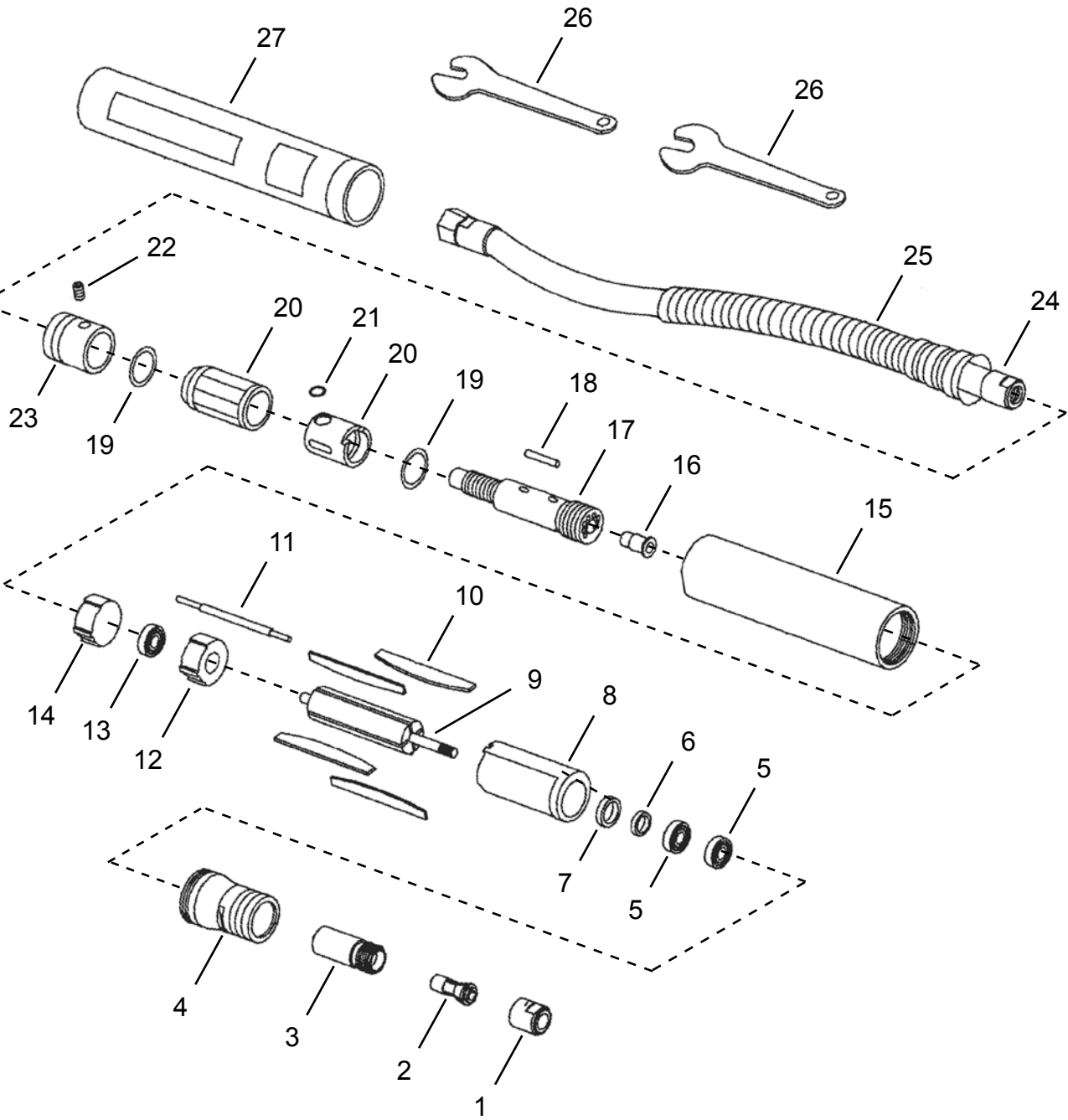
MP4200
 Inline High Speed Pencil Grinder



Model Number	Hp	Free Speed	Abrasive Capacity		Length		Weight		Hose Size		Air Consumption	Collet Size		Air Inlet (NPT)
		RPM	Carbide Bur	Diamond Pin	in.	mm	lbs.	Kg	in.	mm	CFM	in.	mm	
MP4200	0.1	70,000	1/4"	1/4"	5.35	136	0.43	0.2	3/16	4.76	8	1/8	3	1/4"

For additional product information visit our website at <http://www.apextoolgroup.com>

“A”



Master Power®

Inline Pencil Grinder

PL16-4200
01/13/2011

Illustration "A"

Ref	Number	#	X	EN
				Description
1	---	1	K6	Clamping Nut
2	---	1	K5	Collet (1/8"
	---	1	K11	Collet (3mm)
3	---	1	K6	Chuck Spindle
4	---	1	K6	Collet Foundation
5	70617800	2	4	Ball Bearing
6	---	1	K4	Spacer
7	---	1	K4	Lateral Disc
8	---	1	K4	Cylinder
9	---	1	K4	Rotor
10	---	4	K4	Rotor Blade
	---	20	K10	Rotor Blade Kit (20 pieces)
11	---	1	K7	Long Pin
12	---	1	K4	Bearing Plate
13	---	1	K4	Ball Bearing
14	---	1	K7	Intake Plate
15	70618700	1		Housing
16	---	1	K7	Intake Tube
17	---	1	K3	Hose Plug
18	---	1	K3	Short Pin
19	---	2	K2	O-Ring
20	---	1	K2	Sliding Knob
21	---	2	K2	O-Ring
22	---	1	K2	Screw
23	---	1	K2	Rear End Holder
24	---	1	K1	Air Inlet w/hose
25	---	1	K1	Exhaust Overhose
26	---	2	K8	Wrench
27	---	1	K9	Comfort Grip
Repair Kits:				
K1	70618400	1		Exhaust Kit
K2	70618300	1		Sliding Knob Kit
K3	70618200	1		Hose Plug / Pin Kit
K4	70617900	1		Motor Kit
K5	70617600	1		1/8" Collet Kit (5 pieces)
K6	70617700	1		Collet Spindle Kit
K7	70618100	1		Intake Kit
K8	70618500	1		Wrench Kit
K9	70618600	1		Grip Kit (3 pieces)
K10	70618000	1		Blade Kit (20 pieces)
K11	70620200PT	1		3mm Collet Kit (5 pieces)

(#) Quantity

(X) Included in Parts Kit or Recommended Spart Parts

Sales & Service Centers

Note: All locations may not service all products. Please contact the nearest Sales & Service Center for the appropriate facility to handle your service requirements.

Dallas, TX
**Apex Tool Group
Sales & Service Center**
1470 Post & Paddock
Grand Prairie, TX 75050
Tel: 972-641-9563
Fax: 972-641-9674

Lexington, SC
**Apex Tool Group
Sales & Service Center**
670 Industrial Drive
Lexington, SC 29072
Tel: 800-845-5629
Tel: 803-359-1200
Fax: 803-358-7681

York, PA
**Apex Tool Group
Sales & Service Center**
3990 East Market Street
York, PA 17402
Tel: 717-755-2933
Fax: 717-757-5063

Westhausen, EMEA
Apex Tool Group
Postfach 30
D-73461 Westhausen
Germany
Phone: +49 (0) 73 63/ 81-0
Fax: +49 (0) 73 63/ 81-222

Detroit, MI
**Apex Tool Group
Sales & Service Center**
2630 Superior Court
Auburn Hills, MI 48326
Tel: 248-391-3700
Fax: 248-391-7824

Los Angeles, CA
**Apex Tool Group
Sales & Service Center**
15503 Blackburn Avenue
Norwalk, CA 90650
Tel: 562-926-0810
Fax: 562-802-1718

Canada
**Apex Tool Group
Sales & Service Center**
5925 McLaughlin Road
Mississauga, Ont. L5R 1B8
Canada
Tel: 905-501-4785
Fax: 905-501-4786

Coventry, UK
Apex Tool Group
Unit G Quinn Close
Seven Stars Industrial Estate
Whitlet
Coventry CV3 4LH
UK
Phone: +44-2476-3089 60
Fax: +44-2476-3089 69

Houston, TX
**Apex Tool Group
Sales & Service Center**
6550 West Sam Houston
Parkway North, Suite 200
Houston, TX 77041
Tel: 713-849-2364
Fax: 713-849-2047

Seattle, WA
**Apex Tool Group
Sales & Service Center**
2865 152nd Avenue N.E.
Redmond, WA 98052
Tel: 425-497-0476
Fax: 425-497-0496

Apex Tool Group, LLC
1000 Lufkin Road
Apex, NC 27539
Phone: 919-387-0099
Fax: 919-387-2614
www.apextoolgroup.com

