

Parts Manual
45-8040
PL30-1043
04/21/2011

DOTCO®

10T43 & 11T43 Series Router

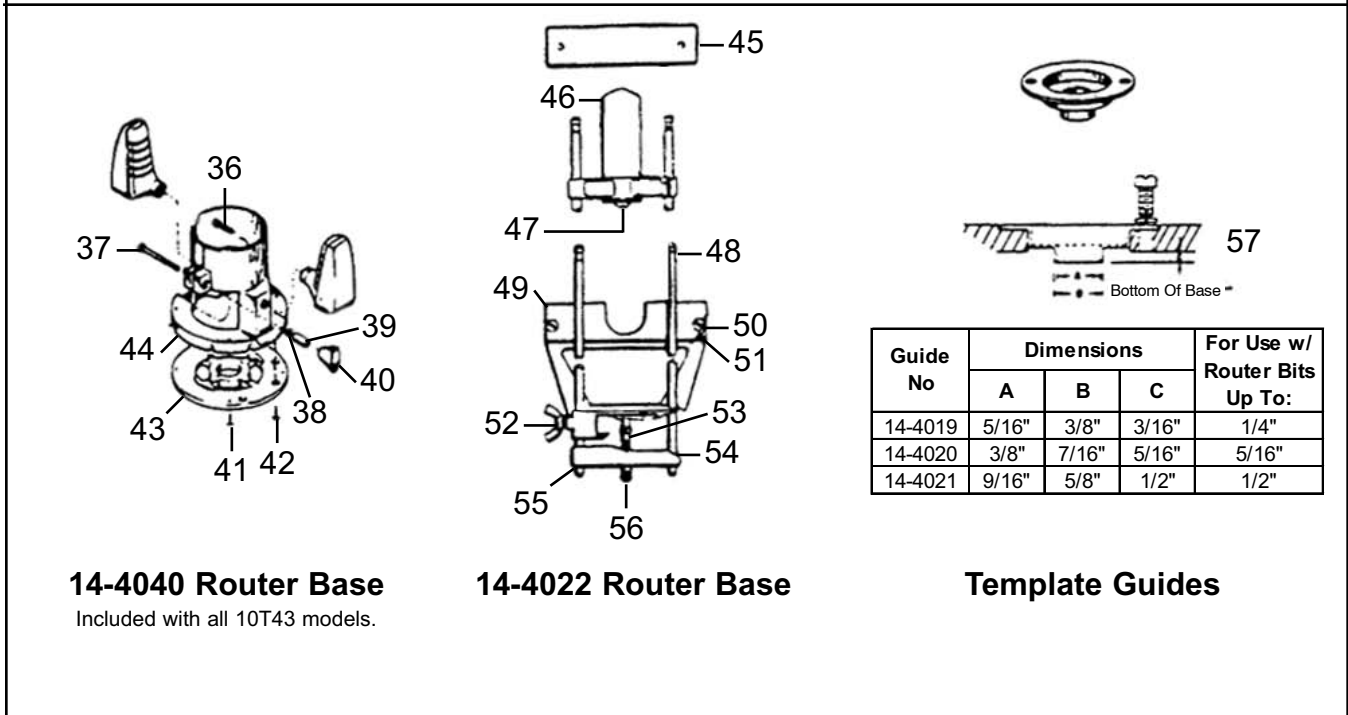
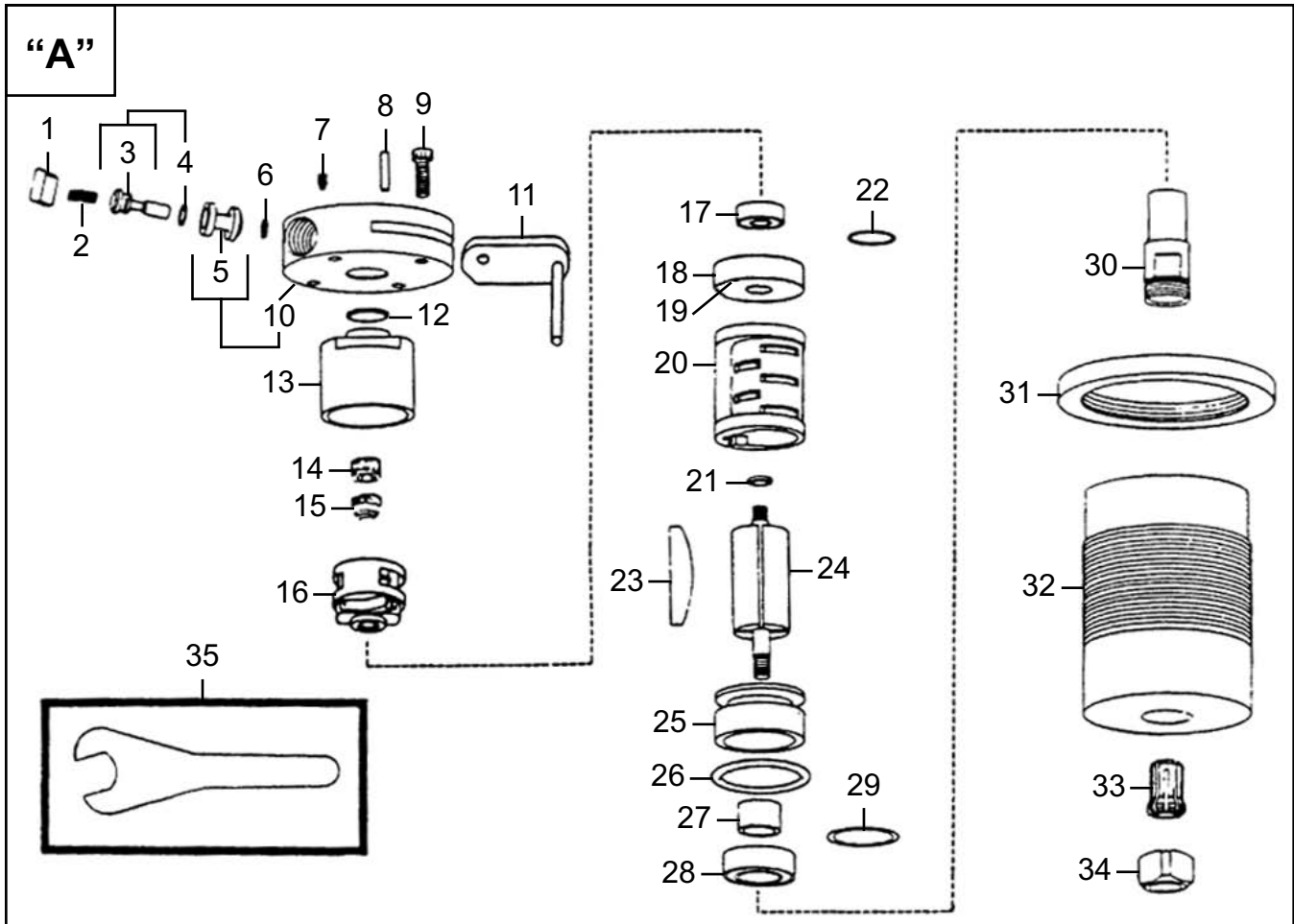


with Base	10T4309-62	10T4312-62	10T4316-62	10T4318-62
less Base	11T4309-62	11T4312-62	11T4316-62	11T4318-62
Speed - RPM	9,000	12,000	16,000	18,000

For additional product information visit our website at <http://www.apextoolgroup.com>

DOTCO

10-43 & 11-43 Pneumatic Routers



14-4040 Router Base
Included with all 10T43 models.

14-4022 Router Base

Template Guides

Guide No	Dimensions			For Use w/ Router Bits Up To:
	A	B	C	
14-4019	5/16"	3/8"	3/16"	1/4"
14-4020	3/8"	7/16"	5/16"	5/16"
14-4021	9/16"	5/8"	1/2"	1/2"

DOTCO

10-43 & 11-43 Pneumatic Routers

PL30-1043
March 23, 2007

Illustration "A" - 10-43 & 11-43 Pneumatic Routers

Index	Number	#	●	EN	DE	FR	ES	IT
				Description	Benennung	Designation	Description	Description
1	4348	1		Spring Retainer	Haltevorrichtung	Bague d'arrêt	Retén	Fem o
2	2015	1		Spring	Druckfeder	Ressortde comp	Resorte	Molla
3	3282	1		Valve Stem	Ventilschaft	Tige de soupape	Vástago de válvula	Asta valvola
4	1056	1		O Ring	O-Ring	Joint torique	Anillo "O"	Anello ad O
5	3279	1		Bushing	Lagerbuchse	Douille	Casquillo	Boccola
6	1252	1		O Ring	O-Ring	Joint torique	Anillo "O"	Anello ad O
7	2831	1		Lock Screw	Verschlußschraube	Vis de fixation	Tomillo de presión	Vite dibbccaggio
8	4347	1		Pin	Stift	Goupin	Pasador	Spina
9	2826	4	8	Cap Screw	Kopfschraube	Vis de chapeau	Tomillo de casquete	Vite a testa cilindrica
10	4358	1		Valve Housing	Ventilgehäuse	Cage de soupape	Caja de la válvula	Corpo valvola
11	4349	1		Acuator	Schalter	Interrupteur	Interruptor	Interruttore
12	5198	1		Seal	Dichtung	Sceau	Sello	Guarnizione
13	4441	1		Governor Housing	Gehäuse	Corps	Caja	Corpo
14	3263	1		Lock Nut	Überwurfnutter	Contre-écrou m olete	Tuerca de fijación	Dado dibbccaggio
15	3262	1		Governor Nozzle	Düse	Bec	Boquilla	Uge llo
16	Table A	1		Governor Module	Regler	Régulateur	Regulador	Regolatore
17	500	1		Ball Bearing	Kugellager	Roulem entà billes	Co jnete de bolas	Cuscinetto a sfera
18	4168	1		Rear Bearing Plate	Tragplatte	Plaque de support	Placa de asiento	Platello cuscinetto
19	3062	1		Pin	Stift	Goupin	Pasador	Spina
20	4189	1		Cylinder	Zylinder	Cylindre	Cilindro	Cilindro
21	2017	1		Spacer	Distanzstück	Ente taise	Espaciador	D istanziale
22	2488	1		Shim Packet	Unterlegstück	Cale pelable	Calzo	Spessore
23	4171	3	6	Blade	Lam elle	Lam e	Cuchilla	Paleta
24	4170	1		Rotor	Rotor	Rotor	Rotor	Rotore
25	4252	1		Front Bearing Plate	Tragplatte	Plaque de support	Placa de asiento	Platello cuscinetto
26	3047	1		O Ring	O-Ring	Joint torique	Anillo "O"	Anello ad O
27	4253	1		Spacer	Distanzstück	Ente taise	Espaciador	D istanziale
28	521	1		Ball Bearing	Kugellager	Roulem entà billes	Co jnete de bolas	Cuscinetto a sfera
29	2645	1		Shim Packet	Unterlegstück	Cale pelable	Calzo	Spessore
30	4254	1		Chuck Body	Futter Körper	Corps de trou	Bote el Cuerpo	Il Corpo di ciottolo
31	4332	1		Adjusting Ring	Ring	Bague	Anillo	Anello
32	4357	1		Motor Housing	Motorgehäuse	Cage de moteur	Caja del motor	Corpo motore
33 *	124	1		Collet 3/8	Futter	Douille de serrage	Boquilla	Busso a dichiusura
34	4255	1		Cap	Kappe	Chapeau	Tapa	Cappe llo
35	14-0814	1		Wrench 7/8"	Schraubenschlüssel	Clé plate	La llave inglesa	Wrench
	14-0818	1		Wrench 1-1/8"	Schraubenschlüssel	Clé plate	La llave inglesa	Wrench

3/8" COLLET STANDARD, 1/8" - 1/2" series K collets available upon request.

(#) Quantity / Stückzahl / Quantité / Cantidad / Quantità

● Recommended Spare Parts / Kennzeichnet empfohlenes / Identifica un particolare di ricambio raccomandato /

Designa el repuesto recomendado / Indique la pièce de rechange conseillée

Table "A"

Index #	Description	Qty.	10T4309-62 11T4309-62	10T4309-62 11T4309-62	10T4309-62 11T4309-62	10T4309-62 11T4309-62
16	Governor Module	1	4192	4193	4097	3260

PL30-1043

March 23, 2007

DOTCO

10-43 & 11-43 Pneumatic Routers

Illustration "A" - 10-43 & 11-43 Pneumatic Routers

Index	Number	#	●	EN	DE	FR	ES	IT
				Description	Benennung	Designation	Description	Description
14-4040 Router Base (supplied with all 10T43 models)								
36	4085	2		Pan Head Screw	Schraube	Vis	Tomillo	Vite
37	4361	1		Hex Head Screw	Schraube	Vis	Tomillo	Vite
38	4362	1		Spring Washer	Federnde Unterlegscheibe	Rondelle élastique	Arandela elástica	Guarnizione elastica
39	14-4103	1		Spacer	Distanzstück	Entretoise	Espaciador	Distanziale
40	14-4102	1		Lock Knob	Drehknopf	Boulon	Perilla	Manopola
41	4360	2		Pan Head Screw	Schraube	Vis	Tomillo	Vite
42	1690	4		Button Head Screw	Schraube	Vis	Tomillo	Vite
43	14-4100	1		Base Plate	Platte	Plaque	Placa	Piattello
44	14-4099	1		Router Base	Socket	Base	Base	Base
14-4022 Router Guide								
45	14-4047	1		Spacer	Distanzstück	Entretoise	Espaciador	Distanziale
46	14-4048	1		Guide Bracket	Klammer	Support	Soporte	Staffa
47	14-4049	1		Round Head Screw	Schraube	Vis	Tomillo	Vite
48	14-4050	2		Rod	Stange	Tige	Varilla	Asta
49	14-4051	1		Guide	Führung	Guide	Guía	Guida
50	14-4052	2		Flat Head Screw	Schraube	Vis	Tomillo	Vite
51	14-4053	2		Guide	Führung	Guide	Guía	Guida
52	14-4054	2		Wing Nut	Mutter	Ecrou	Tuerca	Dado
53	14-4056	1		Spring Clip	Klipp	Agrafe	Presilla	Graffa
54	14-4057	1		Thumb Screw	Rändelschraube	Vis ailée	Tomillo de mano	Vite a testa zigrinata
55	14-4058	1		Slide	Dia	Glissière	Diapositiva	La diapositiva
56	14-4059	1		Adjustment Nut	StellmuFter	Stellmutter	Tuerca ajustadora	Dado di regolazione
Template Guides								
57	4360	2		Pan Head Screw	Schraube	Vis	Tomillo	Vite

(#) Quantity / Stückzahl / Quantité / Cantidad / Quantità

● Recommended Spare Parts / Kennzeichnet empfohlenes / Identifica un particolare di ricambio raccomandato / Designa el repuesto recomendado / Indique la pièce de rechange conseillée