

Parts Manual
45-8213EN
PL30-1212
12/17/2015

DOTCO®

12-12 Series Right Angle Grinder, Sander, and Router



For additional product information visit our website at <http://www.apextoolgroup.com>

	12	X	1	2	XX	-	XX	XX	XX	OH
<u>Product Classification</u> 12 = Ergo Grinder/Sander										
<u>Throttle Type</u> L = Locking Lever S = Locking Lever (same configuration as "L")										
<u>Motor Size</u> 1 = 0.3 Horsepower										
<u>Tool Style</u> 2 = Right Angle										
<u>Speed Options (RPM)</u> Front Exhaust Rear Exhaust 00 = 12,000 80 = 12,000 01 = 20,000 81 = 20,000										
<u>Primary Termination Code</u> 27 = 3/8"-24 External Thread Spindle (Type 1 Cutoff Wheels) 32 = 1/4"-28 Internal Thread Spindle 34 = 5/16"-24 Internal Thread Spindle 35 = 3/8"-24 Internal Thread Spindle 36 = 300 Series, 1/4" (3 piece) Collet 45 = 1/4" Universal Collet Spindle										
<u>Extended Termination Code</u> B1 = Belt Sander (1/4" x 12") B2 = Belt Sander (1/2" x 12") B3 = Belt Sander (1/2" x 24") B4 = Belt Sander (1" x 12") B5 = Belt Sander (1" x 24") RT = Router										
<u>Options</u> Optinal Collets LH = Left Hand Rotation Motor										
<u>Overhose Option (extra cost)</u> OH = Exhaust Overhose (Rear exhaust models only)										

The original language of this manual is English.

Product Safety Information:

Intended Use:

This pneumatic material removal tool is to be used only for removing material by utilizing appropriate abrasive wheels, rotary files or other material removal cutting devices.

For product safety information and requirements for grinding without a wheel guard refer to Apex Tool Group, LLC or Apex Tool Group GmbH & Co. OHG documents:

- GS-2007, General Safety Pneumatic Grinders
- CE-2012, General Safety Sanders
- CE-2013, General Safety Material Removal Tools



This product must not be modified in any manner unless approved in writing by Apex Tool Group, LLC or Apex Tool Group GmbH & Co. OHG. All safety devices must be properly installed and maintained in good working order.

EC Declaration of Conformity:

We affirm that this machine is in accordance with the following EC regulations (2006/42/EC). Applied harmonized standards are ISO 12100:2010-11.

The name, job function and address of the person authorized to compile the technical file.

Mr. Vishnu Irigireddy
Director of Global R&D- Mechanical Engineering
Apex Tool Group
670 Industrial Drive
Lexington, SC 29072

I. V. Vishnu Varadhan

Signature: Vishnu Irigireddy
Date: December 17, 2015

Noise and Vibration:

- 12L12 Series Noise Level: ≤ 83 dB(A)
- 12S12 Series Noise Level: ≤ 83 dB(A)
- 12L12 Series Vibration Level: < 2.5 m/s²
- 12S12 Series Vibration Level: < 2.5 m/s²

Air Line Lubrication:

Use Apex Tool Group, LLC or Apex Tool Group GmbH & Co. OHG's lightweight air tool oil 500021 (available in quantities shown in the following chart) or an SAE-5 lightweight spindle oil.

Part No.	Packaged	Designation
540397	1 Quart (0.94 liter)	Airlube 10W/NR-420LB DR
533485	1 US Gallon (3.78 liter)	Airlube 10W/NR-420LB DR

Grease:

Part No.	Packaged	Designation
45-0980	2 oz. (0.06 kg)	Angle Head: Moly-XL SAE 250
540395	2 oz. (0.06 kg)	Planetary: Magnalube-G
513156	16 oz. (0.45 kg)	Planetary: Magnalube-G

Air Supply Line:

Parameter	Description
Air Hose	Minimum inside diameter: 1/4" (6,4 mm) Maximum length: 8.0' (2,4 m)
Air Pressure	Recommended: 90 psi (620 kPa)
Compressed air	Air quality according to ISO 8573-1, quality class 2.4.3 The compressed air must be clean and dry.

Service and Repair:

Tool service and repair should be performed by an authorized Apex Tool Group, LLC or Apex Tool Group GmbH & Co. OHG Center. Refer to the last page of this manual for locations.

Disposal:



Observe local disposal guidelines for all components of this tool and its packaging.

Copyright Protection:

Apex Tool Group, LLC or Apex Tool Group GmbH & Co. OHG reserves the right to modify, supplement or improve this document or the product without prior notice. This document may not be reproduced in any way, shape or form, in full or parts thereof, or copied to another natural or machine readable language or to a data carrier, whether electronic, mechanical, optical or otherwise without the express permission of Apex Tool Group, LLC or Apex Tool Group GmbH & Co. OHG

Front Exhaust Motor Assembly

Illustration "A" - Front Exhaust Models

Ref	Number	#	X	EN	
				Description	
1	14-0851	1		Housing Wrench	
2	01-2505	1	1	Inlet Adapter	
3	01-2506	1		Exhaust Plug	
4	2965	1	3	O-Ring	
5	3036PT	1	3	O-Ring	
6	01-1046	1	3	Filter Disc	
7	01-1016	1		Filter Retainer	
8	1003PT	1		Rear Plate (includes 1 Ref.18) - Right Hand Rotation Models	
	2157PT	1		Rear Plate (includes 1 Ref.18) - Left Hand Rotation Models - Code "LH"	
9	01-2519	1	3	Valve Spring	
10	01-2518	1	1	Valve	
11	01-2504	1		Valve Seat	
12	1042	1	1	Lever Pin	
13	01-1017	1		Push Rod	
14	01-1267	1	1	Lock-Off Lever Assembly	
15	01-1001	1		Motor Housing	
16	1002PT	1		Cylinder	
17	504PT	1	2	Ball Bearing	
18	1041	2	4	Pin	
19	1006PT	4	12	Rotor Blade	
	04-0031	1		Rotor Blade Kit (50 Blades)	
20	1017PT	1		Spacer	
21	1355	1	1	Shim Packet	
22	538PT	1	2	Ball Bearing	
23	1005S	1		Rotor	
24	1064PT	1		Front Plate (includes 1 Ref. 18) - Right Hand Rotation Models	
	1896PT	1		Front Plate (includes 1 Ref. 18) - Left Hand Rotation Models - Code "LH"	
25	01-1043	1		Lock Ring	
26	Table "A"	1	1	Pinion Gear	
27	01-1045	1		Lock Ring Sleeve	
28	01-1021	1	3	Muffler Felt	

(#) Quantity

(X) Recommended Spare Parts (quantity shown based on 1-5 tools in operation)

Table "A"

Ref.	Description	#	12(-)1200	#	12(-)1201
26	Pinion	1	03-1066	1	1187

Rear Exhaust Motor Assembly

Illustration "B" - Rear Exhaust Models

Ref	Number	#	X	EN	
				Description	
1	14-0851	1		Housing Wrench	
2	01-2505	1	1	Inlet Adapter (without Overhose)	
	01-1031	1	1	Inlet Adapter (Overhose Models)	
3	01-2520	1	1	Diffuser	
4	01-1046	1	3	Filter Disc	
5	01-1016	1		Filter Retainer	
6	01-1032	1	1	Muffler (Overhose Models)	
7	3036PT	1	3	O-Ring (Overhose Models)	
8	1003PT	1		Rear Plate (includes 1 Ref.18)	
9	01-2519	1	K2	Valve Spring	
10	01-2518	1	1	Valve	
11	01-2504	1		Valve Seat	
12	1042	1	1	Lever Pin	
13	01-1017	1		Push Rod	
14	01-1267	1	1	Lock-Off Lever Assembly	
15	01-1001	1		Motor Housing	
16	1002PT	1		Cylinder	
17	504PT	1	K2	Ball Bearing	
18	1041	2	K2	Pin	
19	1006PT	4	K2	Rotor Blade	
	04-0031	1		Rotor Blade Kit (50 Blades)	
20	1017PT	1		Spacer	
21	1355	1	K2	Shim Packet	
22	538PT	1	K2	Ball Bearing	
23	1005S	1		Rotor	
24	1064PT	1		Front Plate (includes Ref. 18, qty. 1)	
25	01-1044	1		Lock Ring	
26	Table "B"	1	1	Pinion Gear	
27	01-1045	1		Lock Ring Sleeve	
28	01-1025	1	3	Seal	

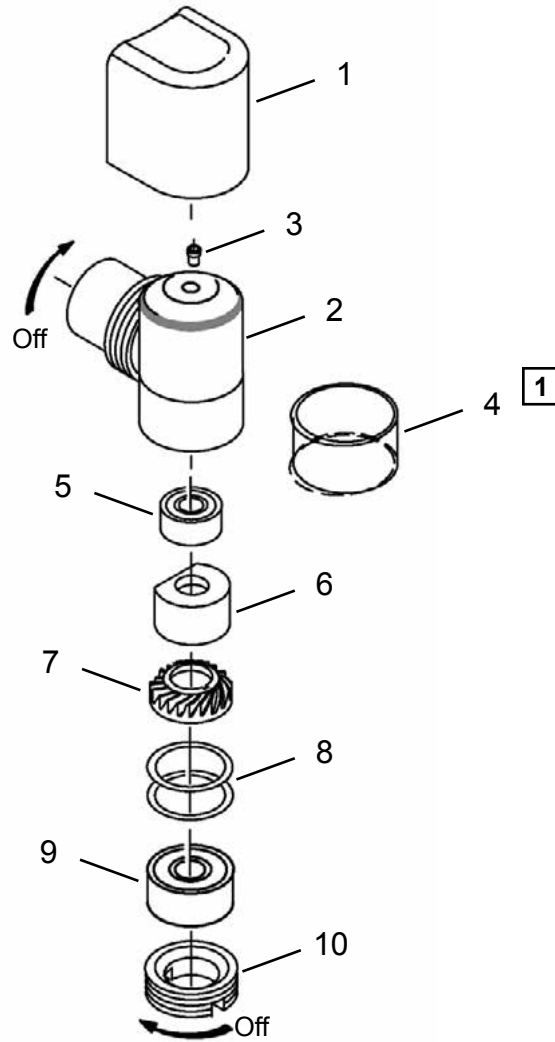
(#) Quantity

(X) Recommended Spare Parts (quantity shown based on 1-5 tools in operation)

Table "B"

Ref.	Description	#	12(-)1280	#	12(-)1281
26	Pinion	1	03-1066	1	1187

“C”



1 Service Note: Replacement rings are .050" undersize and must be expanded using service tool # 45-1020 to slip onto angle housing.

Illustration "C" - Angle Head

Ref	Number	#	X	EN
				Description
1	01-1048	1	1	Angle Head Cover
2	1024PT	1		Angle Housing (includes Ref. 3, 4)
3	1463PT	1	1	Grease Fitting
4	1356PT	1	2	Wear Ring
5	504PT	1	2	Ball Bearing
6	1755PT	1	1	Lube Disc
7	Table "C"	1	1	Bevel Gear
8	1355	1	1	Shim Packet
9	538PT	1	2	Ball Bearing
10	1025PT	1		Lock Ring
--	45-0980	1	2	Gear Lube (not shown)
--	45-1982	1		Grease Gun (not shown)

(#) Quantity

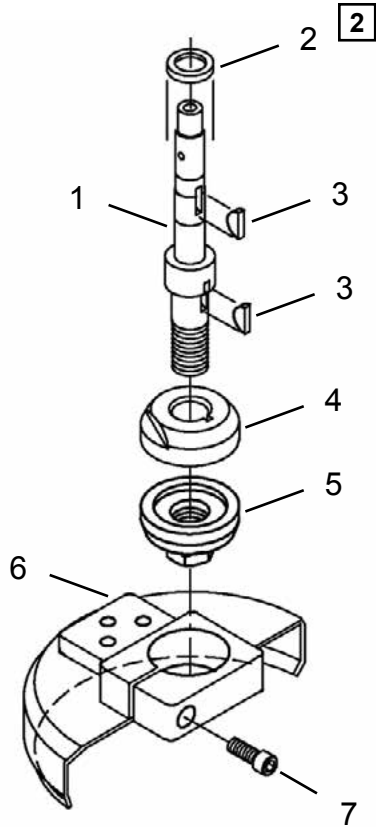
(X) Recommended Spare Parts (quantity shown based on 1-5 tools in operation)

Table "C"

Ref.	Description	#	12(-)1200	#	12(-)1201
			12(-)1280		12(-)1281
7	Bevel Gear	1	03-1067	1	1188PT

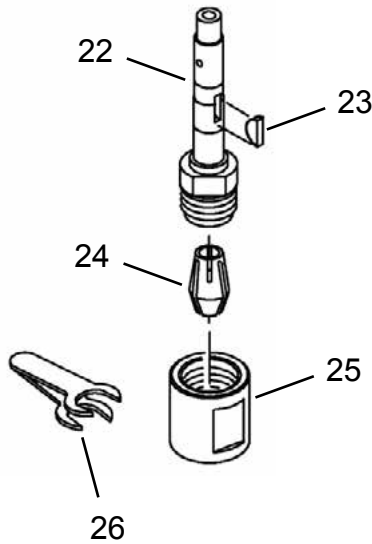
“D”

Termination 27
3/8"-24 External Thread

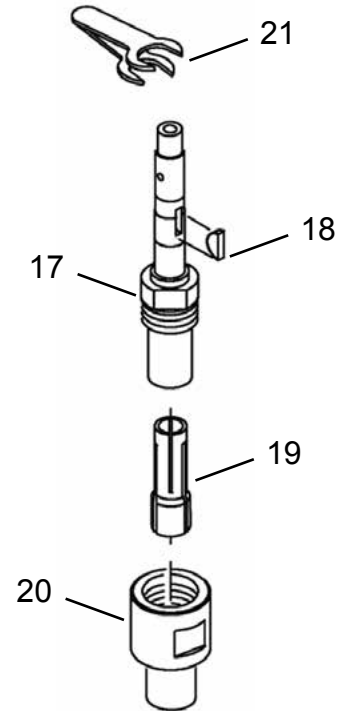


2 Countersink towards spindle shoulder.

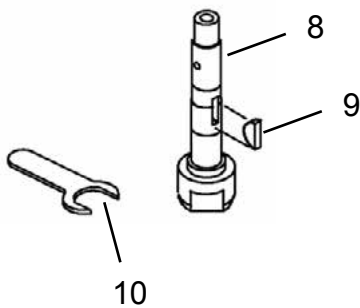
Termination 45
Universal Collet



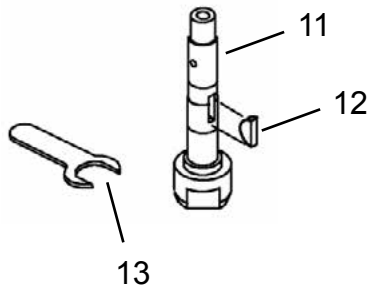
Termination 36
Series 300 Collet



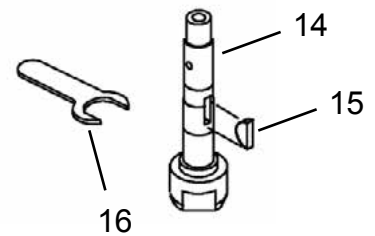
Termination 32
1/4"-28 Internal Thread



Termination 34
5/16"-24 Internal Thread



Termination 35
3/8"-24 Internal Thread



Dotco®

Primary Terminations

45-8213EN
12/17/2015

Illustration "D"

Ref	Number	#	X	EN	
				Description	
Termination 27 - 3/8"-24 External Thread Spindle					
1	1402PT	1		Spindle (includes Ref. 2)	
2	7792	1	1	Spacer	
3	1062PT	2	6	Woodruff Key	
4	14-1174	1		Flange	
5	14-1175	1		Flange	
6	14-1258	1		Wheel Guard (includes Ref. 7)	
7	14-1518	1	2	Cap Screw	
--	14-0186	1		3/16" Wrench (not shown)	
--	14-0809	1		9/16" Wrench (not shown)	
--	14-0812	1		3/4" Wrench (not shown)	
Termination 32 - 1/4"-28 Internal Thread Spindle					
8	1069	1		Spindle	
9	1062PT	1	3	Woodruff Key	
10	14-0807	1		7/16" Wrench	
Termination 34 - 5/16"-24 Internal Thread Spindle					
11	1284	1		Spindle	
12	1062PT	1	3	Woodruff Key	
13	14-0807	1		7/16" Wrench	
Termination 35 - 3/8"-24 Internal Thread Spindle					
14	1250PT	1		Spindle	
15	1062PT	1	3	Woodruff Key	
16	14-0807	1		7/16" Wrench	
Termination 36 - 300 Series, 1/4" (3 piece) Collet					
17	1029PT	1		Spindle	
18	1062PT	1	3	Woodruff Key	
19	Table "D1"	1		Collet (1/4")	
20	208196PT	1		Nosepiece	
21	14-0807	1		7/16" Wrench	
	14-0811	1		11/16" Wrench	
Termination 45 - Universal Collet					
22	7814S	1		Spindle	
23	1062PT	1	3	Woodruff Key	
24	Table "D2"	1		Collet (1/4")	
25	7815	1		Collet Nut	
26	14-0807	1		7/16" Wrench	
	14-0811	1		11/16" Wrench	

(#) Quantity

(X) Recommended Spare Parts (quantity shown based on 1-5 tools in operation)

Table "D1"

300 Series Optional Collets					
Part No.	Arbor Size	Part No.	Arbor Size	Part No.	Arbor Size
301PT	3/64"	305PT	5/32"	310PT	6mm
302PT	5/64"	306PT	3/16"		
303	3/32"	308PT *	1/4"		
304PT	1/8"	311	3mm		

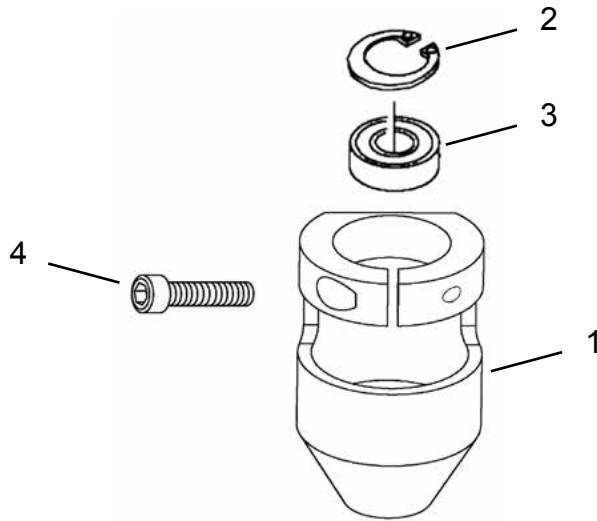
* Standard Collet

Table "D2"

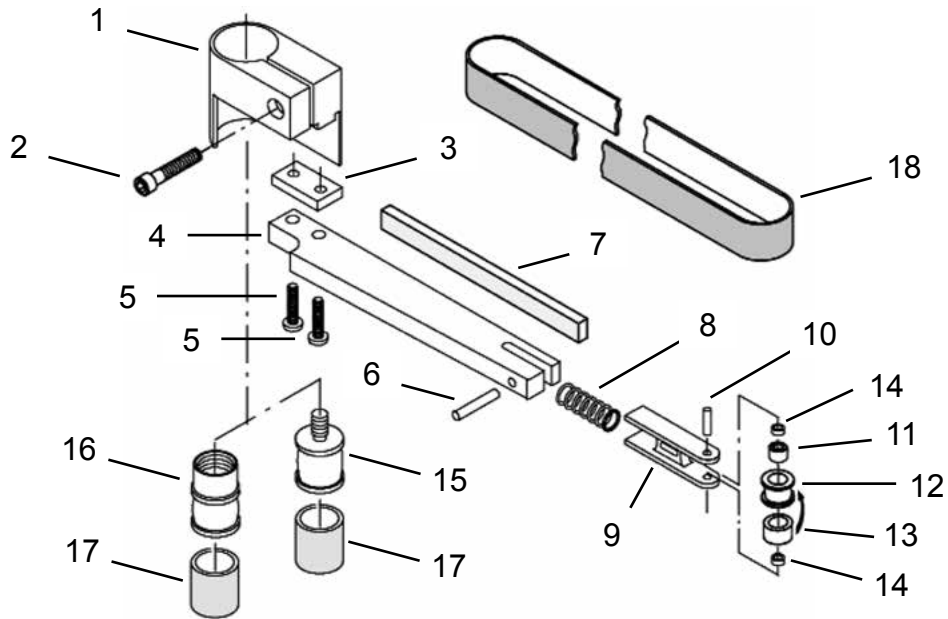
Universal Series Optional Collets					
Part No.	Arbor Size	Part No.	Arbor Size	Part No.	Arbor Size
7809	1/8"	7811	6mm		
7812	3/16"				
7808PT *	1/4"				
7810PT	3mm				

* Standard Collet

“E” Termination -RT (Router)



“F” Termination -B1 (1/4" x 12" Belt Sander)



Dotco®
Extended Terminations

45-8213EN
12/17/2015

Illustration "E" - Router Termination (36RT)

Ref	Number	#	X	EN
				Description
1	7197	1		Router Housing Assembly (includes Ref. 2-4)
2	1098	1	2	Retaining Ring
3	14-0508	1	2	Ball Bearing
4	14-1518	1	1	Screw (#8-32 x .75 SHCS)

(#) Quantity

(X) Recommended Spare Parts (quantity shown based on 1-5 tools in operation)

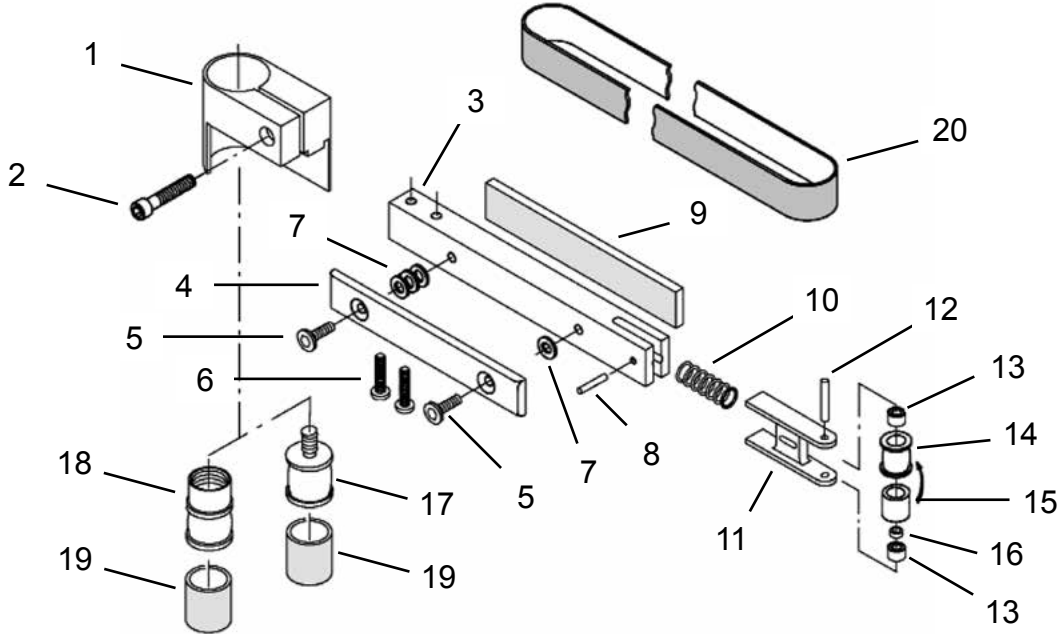
Illustration "F" - Belt Sander Termination B1

Ref	Number	#	X	EN
				Description
--	14-1638S	1		Belt Sander Assembly (includes Ref. 1-14)
1	14-1297	1		Guard
2	2826PT	1	1	Screw
3	14-1619	1		Spacer
4	14-1597	1		Boom
5	1900PT	2	4	Screw
6	1833PT	1		Pin
7	14-1343	1	1	Cushioned Platen
8	1904PT	1	2	Yoke Spring
9	14-1617	1		Yoke
10	1831PT	1	1	Yoke Pin
--	14-1602	1	1	Wheel Assembly (includes Ref. 11-13)
11	564PT	1	2	Ball Bearing
12	14-1604	1	1	Wheel (includes Ref. 13)
13	14-1616	1	3	Tire
14	14-1618	2		Spacer
15	14-1308	1	1	Drive Wheel (32B1 Termination) (includes Ref. 17)
16	14-1309	1	1	Drive Wheel (36B1 Termination) (includes Ref. 17)
17	14-1304	1	3	Tire
18	14-1591	1	6	Sanding Belt (80 Grit)
	14-1593	1	6	Sanding Belt (120 Grit)

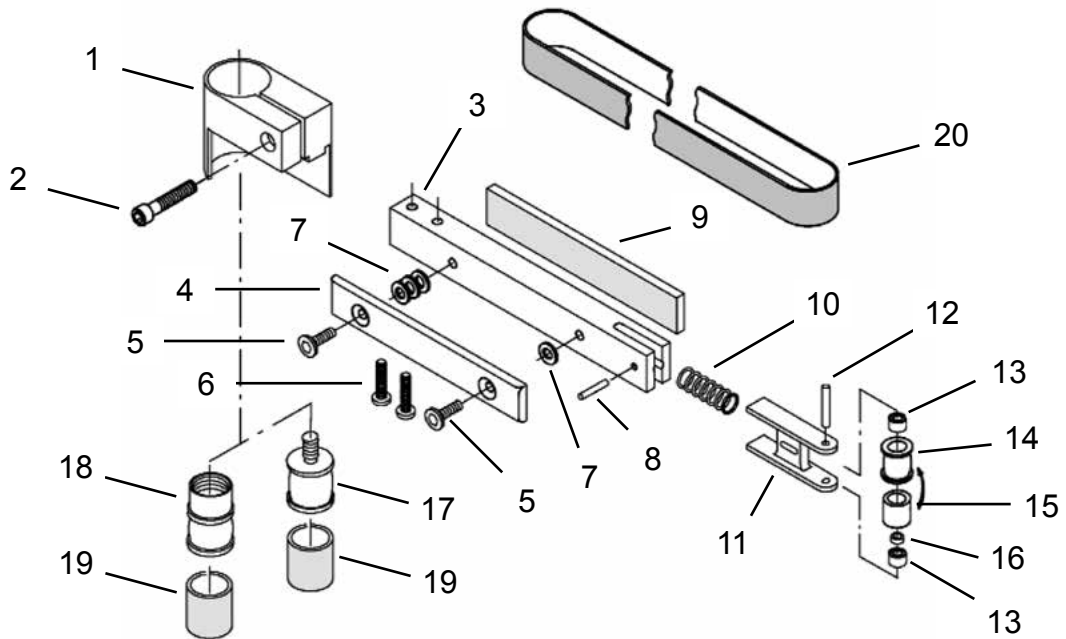
(#) Quantity

(X) Recommended Spare Parts (quantity shown based on 1-5 tools in operation)

“G” Termination -B2 (1/2” x 12” Belt Sander)



“H” Termination -B3 (1/2” x 24” Belt Sander)



Dotco®
Extended Terminations

45-8213EN
12/17/2015

Illustration "G" - Belt Sander Termination B2

Ref	Number	#	X	EN
				Description
--	14-1301S	1		Belt Sander Assembly (includes Ref. 1-16)
1	14-1297	1		Guard
2	2826PT	1	1	Screw
3	14-1298	1		Boom
4	14-1293	1		Steel Platen
5	1902PT	2	4	Screw
6	1900PT	2	4	Screw
7	1901	4	12	Nylon Washer
8	1833PT	1		Pin
9	14-1338	1	1	Cushioned Platen
10	1904PT	1	2	Yoke Spring
11	14-1296	1		Yoke
12	1903PT	1	1	Yoke Pin
--	14-1311	1	1	Wheel Assembly (includes Ref. 13-16)
13	564PT	2	4	Ball Bearing
14	14-1312	1	1	Wheel (includes Ref. 15)
15	14-1305	1	3	Tire
16	1345PT	1		Spacer
17	14-1308	1	1	Drive Wheel (32B2 Termination) (includes Ref. 19)
18	14-1309	1	1	Drive Wheel (36B2 Termination) (includes Ref. 19)
19	14-1304	1	3	Tire
20	14-1348	1	6	Sanding Belt (80 Grit)
	14-1352	1	6	Sanding Belt (120 Grit)

(#) Quantity

(X) Recommended Spare Parts (quantity shown based on 1-5 tools in operation)

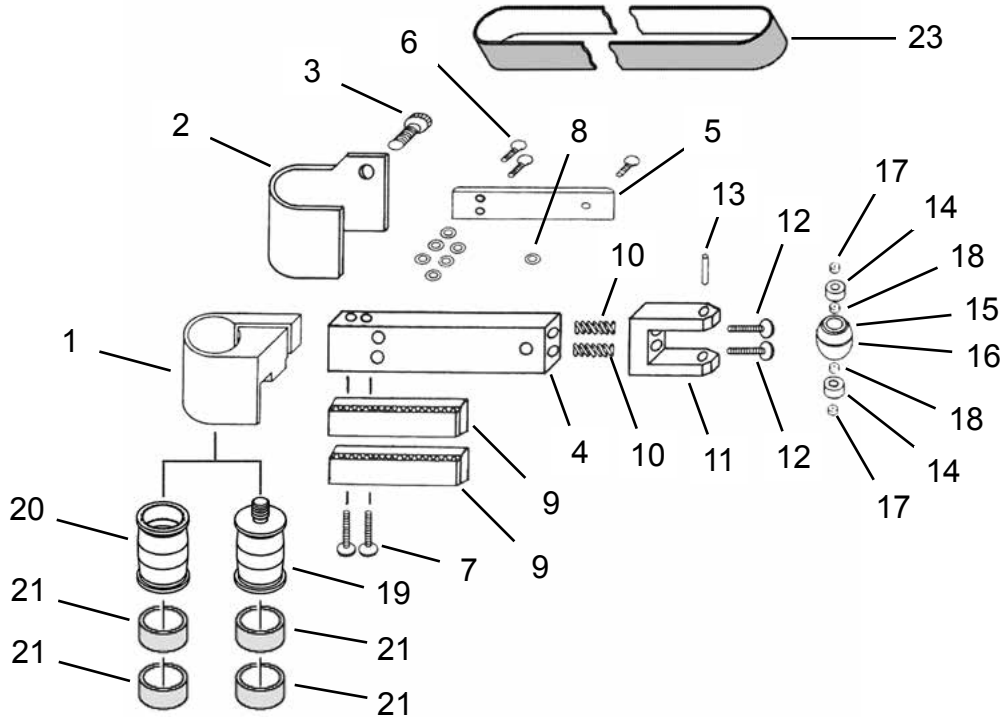
Illustration "H" - Belt Sander Termination B3

Ref	Number	#	X	EN
				Description
--	14-1318S	1		Belt Sander Assembly (includes Ref. 1-16)
1	14-1297	1		Guard
2	2826PT	1	1	Screw
3	14-1320	1		Boom
4	14-1314	1		Steel Platen
5	1902PT	2	4	Screw
6	1900PT	2	4	Screw
7	1901	4	12	Nylon Washer
8	1833PT	1		Pin
9	14-1341	1	1	Cushioned Platen
10	1904PT	1	2	Yoke Spring
11	14-1296	1		Yoke
12	1903PT	1	1	Yoke Pin
--	14-1311	1	1	Wheel Assembly (includes Ref. 13-16)
13	564PT	2	4	Ball Bearing
14	14-1312	1	1	Wheel (includes Ref. 15)
15	14-1305	1	3	Tire
16	1345PT	1		Spacer
17	14-1308	1	1	Drive Wheel (32B3 Termination) (includes Ref. 19)
18	14-1309	1	1	Drive Wheel (36B3 Termination) (includes Ref. 19)
19	14-1304	1	3	Tire
20	14-1368	1	6	Sanding Belt (80 Grit)
	14-1372	1	6	Sanding Belt (120 Grit)

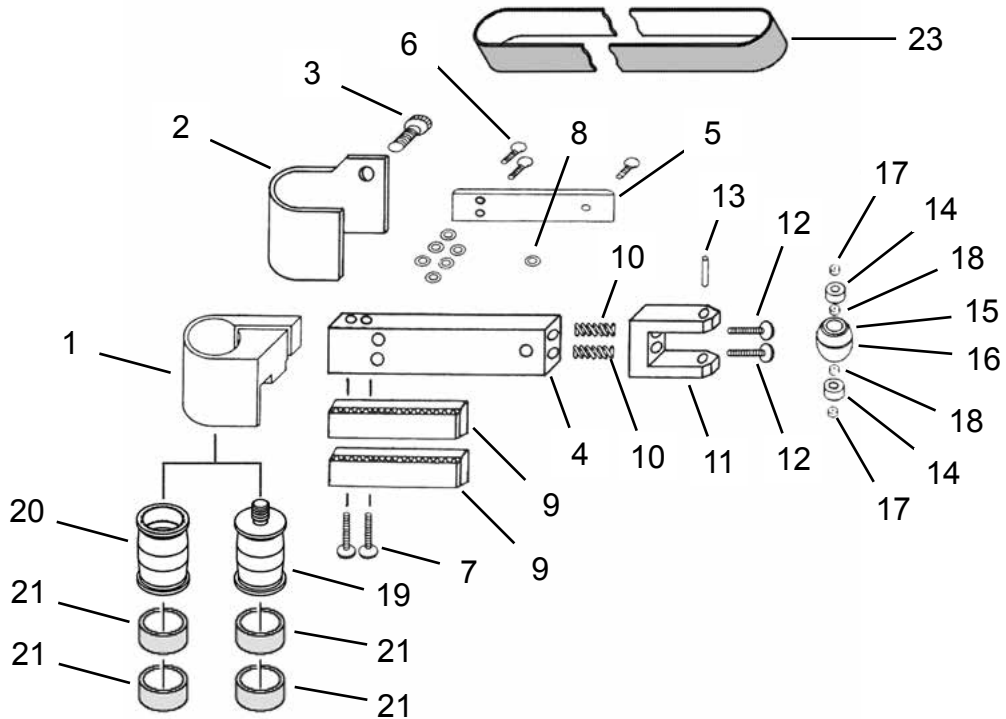
(#) Quantity

(X) Recommended Spare Parts (quantity shown based on 1-5 tools in operation)

“I” Termination -B4 (1” x 12” Belt Sander)



“J” Termination -B5 (1” x 24” Belt Sander)



Dotco®

Extended Terminations

45-8213EN
12/17/2015

Illustration "I" - Belt Sander Termination B4

Ref	Number	#	X	EN	
				Description	
--	14-1463	1		Belt Sander Assembly (32B4 Termination) (includes Ref. 1-22)	
--	14-1473	1		Belt Sander Assembly (36B4 Termination) (includes Ref. 1-22)	
1	14-1356	1		Guard	
2	14-1471	1		Guard	
3	14-1498	1	1	Screw	
4	14-1464	1		Boom	
5	14-1466	1		Steel Platen	
6	1902PT	3	6	Screw	
7	7731	2	4	Screw	
8	1901	7	14	Nylon Washer	
9	14-1338	2	2	Cushioned Platen	
10	14-1478	2	4	Yoke Spring	
11	14-1465	1		Yoke	
12	2193PT	2	4	Yoke Screw	
13	14-3036	1	1	Yoke Pin	
--	14-1472	1	1	Wheel Assembly (includes Ref. 14-18)	
14	564PT	2	4	Ball Bearing	
15	14-1469	1	1	Wheel (includes Ref. 16)	
16	14-1305	2	6	Tire	
17	14-1467	2		Spacer	
18	1345PT	2		Spacer	
19	14-1468	1	1	Drive Wheel (32B4 Termination) (includes Ref. 21)	
20	14-1470	1	1	Drive Wheel (36B4 Termination) (includes Ref. 21)	
21	14-1304	2	6	Tire	
22	14-0184PT	1		Wrench (1/8") (not shown)	
23	14-1583	1	6	Sanding Belt (80 Grit)	
	14-1585	1	6	Sanding Belt (120 Grit)	

(#) Quantity

(X) Recommended Spare Parts (quantity shown based on 1-5 tools in operation)

Illustration "J" - Belt Sander Termination B5

Ref	Number	#	X	EN	
				Description	
--	14-1603	1		Belt Sander Assembly (32B5 Termination) (includes Ref. 1-22)	
--	14-1613	1		Belt Sander Assembly (36B5 Termination) (includes Ref. 1-22)	
1	14-1356	1		Guard	
2	14-1471	1		Guard	
3	14-1498	1	1	Screw	
4	14-1614	1		Boom	
5	14-1615	1		Steel Platen	
6	1902PT	3	6	Screw	
7	7731	2	4	Screw	
8	1901	7	14	Nylon Washer	
9	14-1341	2	2	Cushioned Platen	
10	14-1478	2	4	Yoke Spring	
11	14-1465	1		Yoke	
12	2193PT	2	4	Yoke Screw	
13	14-3036	1	1	Yoke Pin	
--	14-1472	1	1	Wheel Assembly (includes Ref. 14-18)	
14	564PT	2	4	Ball Bearing	
15	14-1469	1	1	Wheel (includes Ref. 16)	
16	14-1305	2	6	Tire	
17	14-1467	2		Spacer	
18	1345PT	2		Spacer	
19	14-1468	1	1	Drive Wheel (32B5 Termination) (includes Ref. 21)	
20	14-1470	1	1	Drive Wheel (36B5 Termination) (includes Ref. 21)	
21	14-1304	2	6	Tire	
22	14-0184PT	1		Wrench (1/8") (not shown)	
23	14-1643	1	6	Sanding Belt (80 Grit)	
	14-1645	1	6	Sanding Belt (120 Grit)	

(#) Quantity

(X) Recommended Spare Parts (quantity shown based on 1-5 tools in operation)

POWER TOOLS SALES & SERVICE CENTERS

Please note that all locations may not service all products.
Contact the nearest Apex Tool Group Sales & Service Center for the appropriate facility to handle your service requirements.

NORTH AMERICA | SOUTH AMERICA

Detroit, Michigan

Apex Tool Group
2630 Superior Court
Auburn Hills, MI 48236
Phone: +1 (248) 393-5640
Fax: +1 (248) 391-6295

Lexington, South Carolina

Apex Tool Group
670 Industrial Drive
Lexington, SC 29072
Phone: +1 (800) 845-5629
Phone: +1 (919) 387-0099
Fax: +1 (803) 358-7681

Louisville, Kentucky

Apex Tool Group
1000 Glengarry Drive
Suite 150
Fairdale, KY 40118
Phone: +1 (502) 708-3400
apexpowertools.com/service

Canada

Apex Tool Canada, Ltd.
7631 Bath Road
Mississauga, Ontario L4T 3T1
Canada
Phone: (866) 691-6212
Fax: (905) 673-4400

Mexico

Apex Tool Group
Manufacturing México
S. de R.L. de C.V.
Vialidad El Pueblito #103
Parque Industrial Querétaro
Querétaro, QRO 76220
Mexico
Phone: +52 (442) 211 3800
Fax: +52 (800) 685 5560

Brazil

Apex Tool Group
Ind. Com. Ferram, Ltda.
Av. Liberdade, 4055
Zona Industrial Iporanga
Sorocaba, São Paulo
CEP# 18087-170
Brazil
Phone: +55 15 3238 3820
Fax: +55 15 3238 3938

EUROPE | MIDDLE EAST | AFRICA

England

Apex Tool Group
GmbH & Co. OHG
C/O Spline Gauges
Piccadilly, Tamworth
Staffordshire B78 2ER
United Kingdom
Phone: +44 1827 8727 71
Fax: +44 1827 8741 28

France

Apex Tool Group S.A.S.
25 rue Maurice Chevalier
B.P. 28
77831 Ozoir-La-Ferrière
Cedex, France
Phone: +33 1 64 43 22 00
Fax: +33 1 64 43 17 17

Germany

Apex Tool Group
GmbH & Co. OHG
Industriestraße 1
73463 Westhausen
Germany
Phone: +49 (0) 73 63 81 0
Fax: +49 (0) 73 63 81 222

Hungary

Apex Tool Group
Hungária Kft.
Platánfa u. 2
9027 Győr
Hungary
Phone: +36 96 66 1383
Fax: +36 96 66 1135

ASIA PACIFIC

Australia

Apex Tool Group
519 Nurigong Street, Albury
NSW 2640
Australia
Phone: +61 2 6058 0300

China

Apex Power Tool Trading
(Shanghai) Co., Ltd
Building A8, No. 38
Dongsheng Road
Pudong, Shanghai
China 201201
Phone: +86 21 60880320
Fax: +86 21 60880298

India

Apex Power Tools India
Private Limited
Gala No. 1, Plot No. 5
S. No. 234, 235 & 245
Indialand Global
Industrial Park
Taluka-Mulsi, Phase I
Hinjawadi, Pune 411057
Maharashtra, India
Phone: +91 020 66761111

Japan

Apex Tool Group Japan
Korin-Kaikan 5F,
3-6-23 Shibakoen, Minato-Ku,
Tokyo 105-0011, JAPAN
Phone: +81-3-6450-1840
Fax: +81-3-6450-1841

Korea

Apex Tool Group Korea
#1503, Hibrand Living Bldg.,
215 Yangjae-dong,
Seocho-gu, Seoul 137-924,
Korea
Phone: +82-2-2155-0250
Fax: +82-2-2155-0252

Apex Tool Group, LLC

1000 Lufkin Road
Apex, NC 27539
Phone: +1 (919) 387-0099
Fax: +1 (919) 387-2614
www.apexpowertools.com

DOTCO®