

**Parts Manual**

**45-8442**

PL30-1223

04/21/2011

**DOTCO®**

**12-23 Series  
Grinders & Sanders**



<b>12</b>	<b>L</b>	<b>2</b>	<b>3</b>	<b>84</b>	<b>-</b>	<b>XX</b>
-----------	----------	----------	----------	-----------	----------	-----------

Product Classification

**12** = Ergo Housing

Trottle Type

**L** = Locking Lever

Motor Size

**2** = 0.5 hp

Handle Style

**3** = Right Angle Gearless

Speed Options (RPM)

**Front Exhaust**

**84** = 20,000

Termination Code

**B1** = 3/4" x 18" Sanding Belt Attachment

**B2** = 1/2" x 18" Sanding Belt Attachment

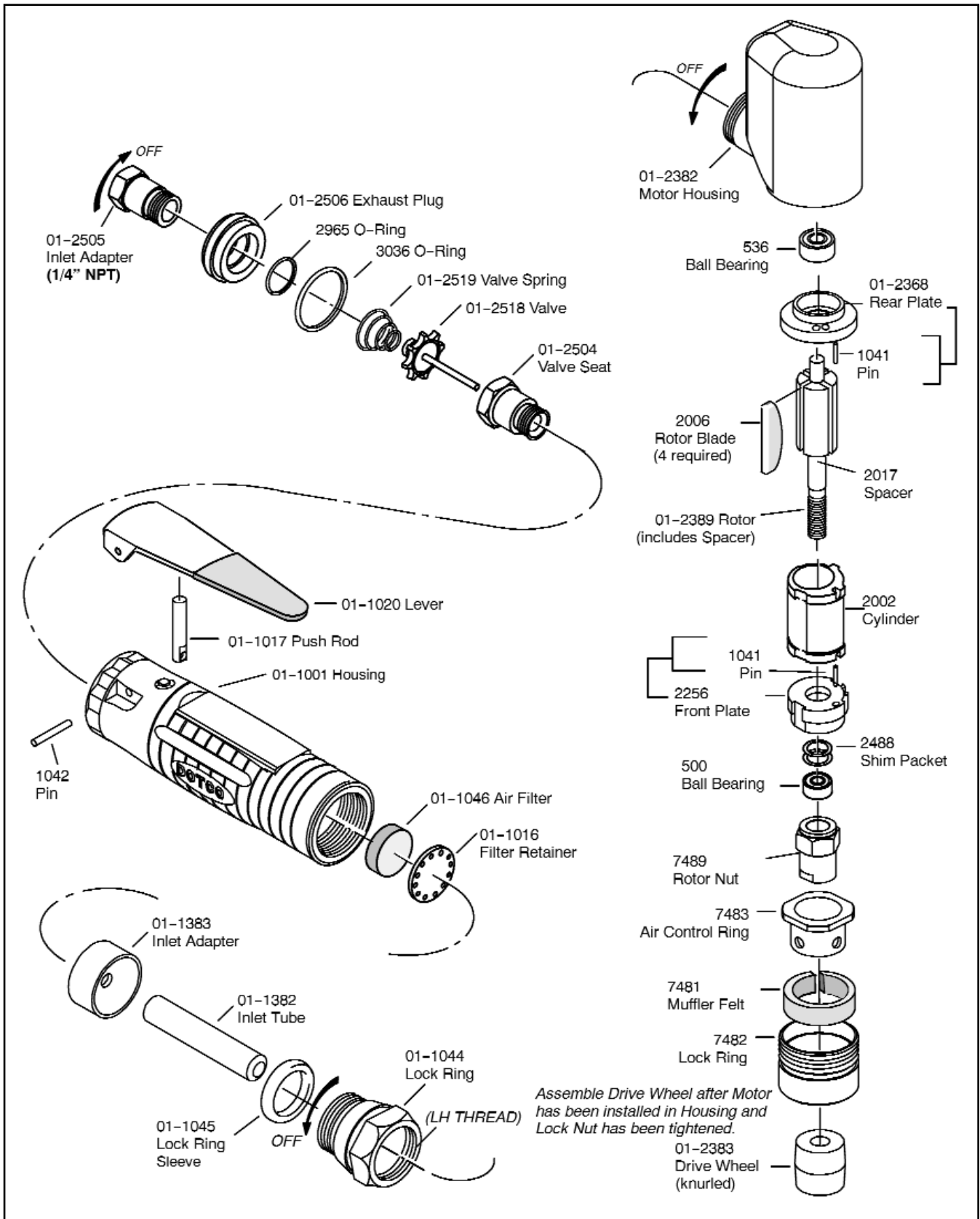
**B3** = 1/4" x 18" Sanding Belt Attachment

**K1** = Kit: includes 3/4", 1/2", 1/4" Attachments; 1/4" Collet Attachment; Wrenches; Belts

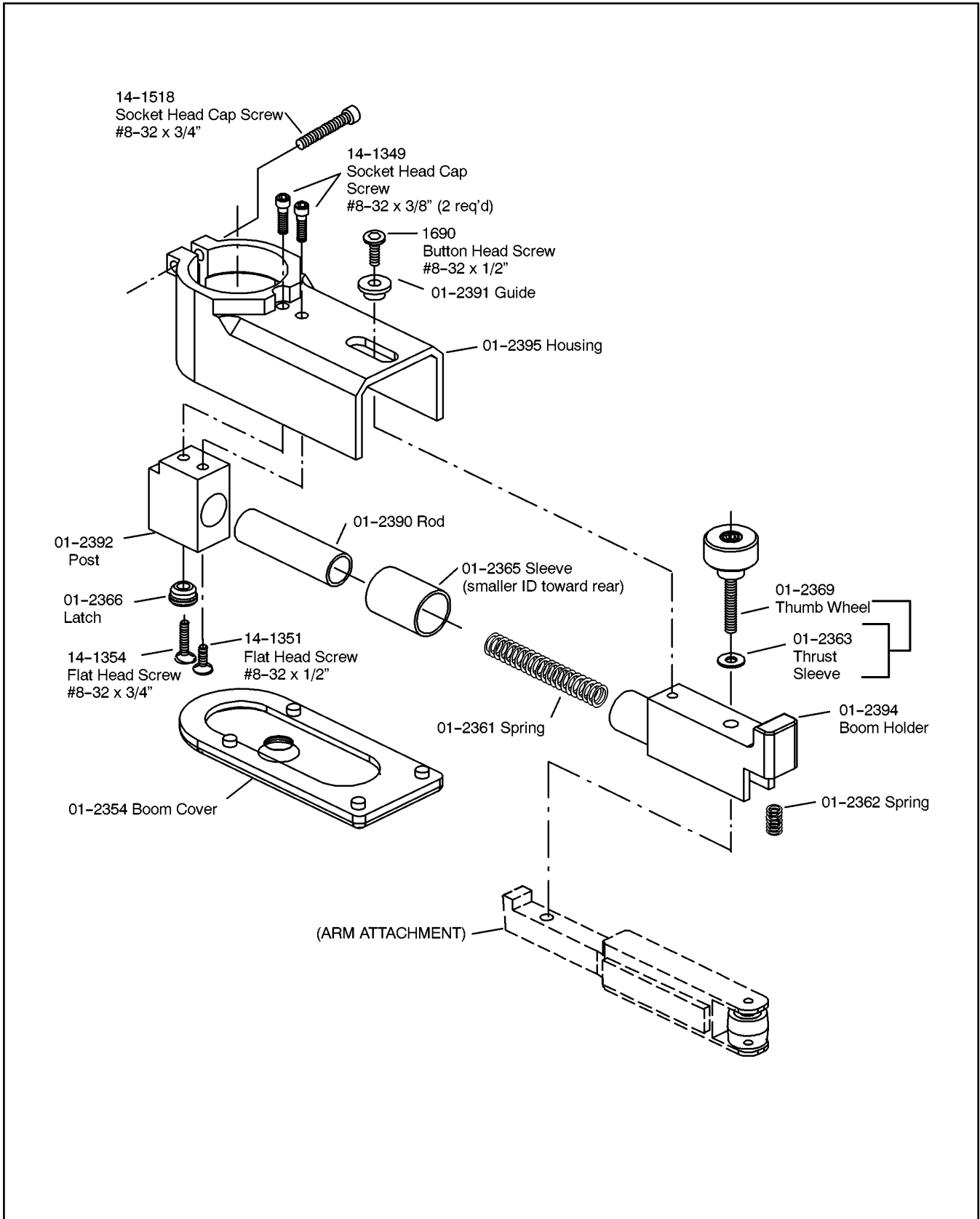
**01** = 1/4" Collet Chuck

For additional product information visit our website at <http://www.apextoolgroup.com>

**DOTCO**  
**12L2384 Series Sander / File**



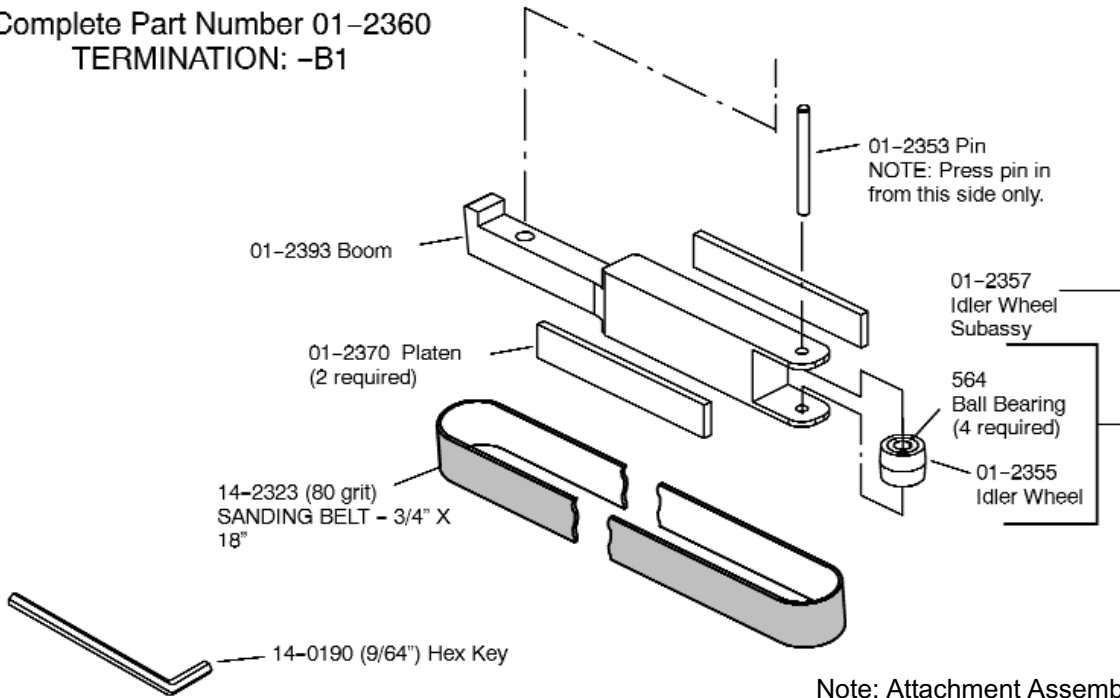
**12L2384 Series Sander / File**



**3/4" x 18" BELT ATTACHMENT**

Complete Part Number 01-2360

TERMINATION: -B1

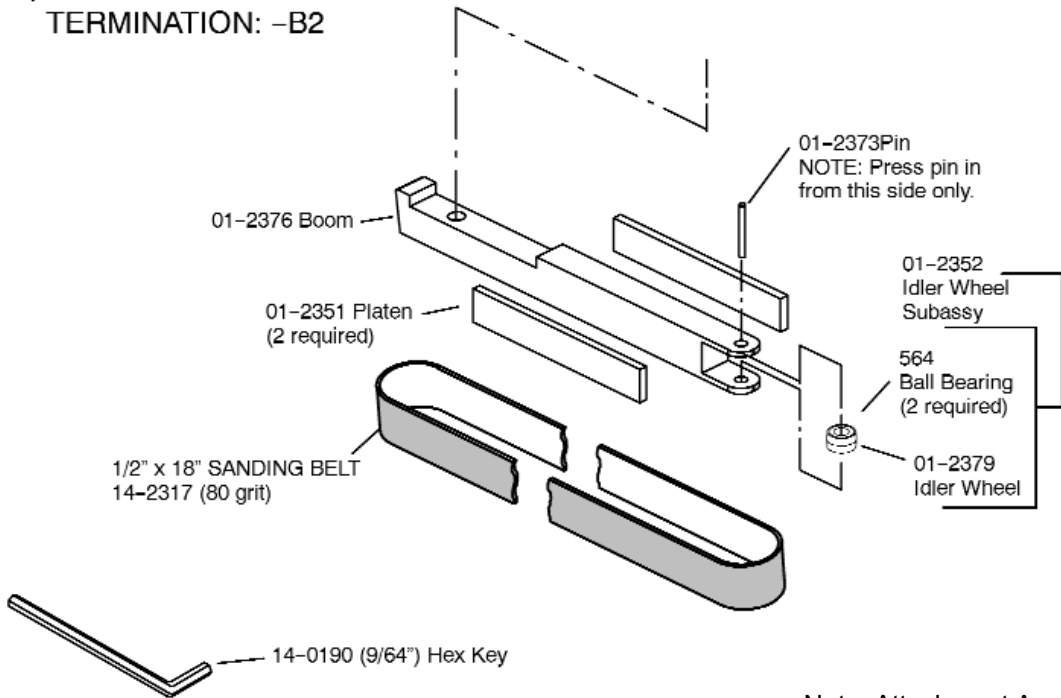


Note: Attachment Assemblies do not include sanding belt or hex wrench.

**1/2" x 18" BELT ATTACHMENT**

Complete Part Number 01-2358

TERMINATION: -B2



Note: Attachment Assemblies do not include sanding belt or hex wrench.

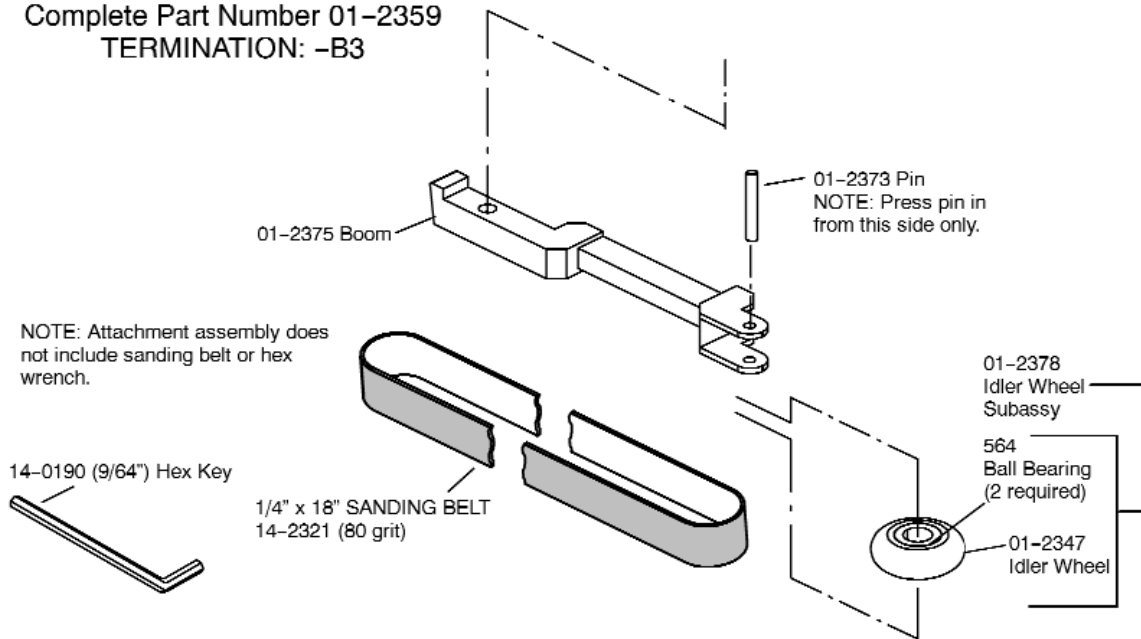
**12L2384 Series Sander / File**

**1/4" x 18" BELT ATTACHMENT**

Complete Part Number 01-2359

TERMINATION: -B3

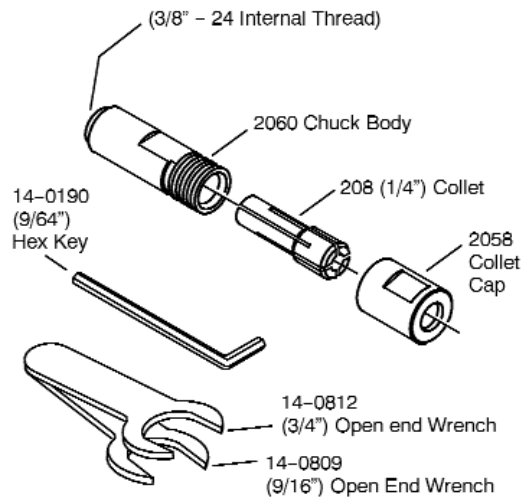
NOTE: Attachment assembly does not include sanding belt or hex wrench.



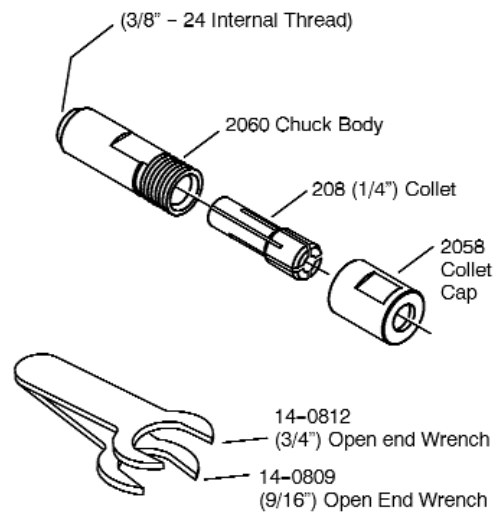
**TERMINATION: -K1**

- 3/4" X 18" BELT ATTACHMENT 01-2360
- 1/2" X 18" BELT ATTACHMENT 01-2358
- 1/4" X 18" BELT ATTACHMENT 01-2359

- 1/4" Sanding Belt (60 grit) 14-2320
- 1/4" Sanding Belt (80 grit) 14-2321
- 1/4" Sanding Belt (120 grit) 14-2322
- 1/2" Sanding Belt (60 grit) 14-2316
- 1/2" Sanding Belt (80 grit) 14-2317
- 1/2" Sanding Belt (120 grit) 14-2318
- 3/4" Sanding Belt (med. bear-tex) 14-2327
- 3/4" Sanding Belt (60 grit) 14-2326
- 3/4" Sanding Belt (80 grit) 14-2323



**TERMINATION: -01**



# DOTCO

## 12L2384 Series Sander / File

### RECOMMENDED SPARE PARTS LIST

*These parts are suggested as a recommended inventory of spare parts. Where parts are small, low cost, or easily lost, then we recommend stocking 3 to 4 for every 10 tools. Other larger, lower wear or more expensive parts should be maintained as one (or one set) for every six to ten tools.*

Part Number	Description	Quan Used Per Tool	Recommended Spare Pts	
			Per Tool	Per 10 Tools
<b>ALL MODELS:</b>				
3036	O-Ring	1	1	3
2965	O-Ring	1	1	3
536	Ball Bearing	1	1	2
01-2368	Rear Plate	1	1	2
2006	Rotor Blades	4	4	20
2002	Cylinder	1	1	2
2256	Front Plate	1	1	2
2488	Shim Packet	1	1	4
500	Ball Bearing	1	1	2
7481	Muffler Felt	1	1	3
01-1046	Air Filter	1	1	2
564	Ball Bearing	4	4	8
<b>12L2384-K1</b>				
2058	Collet Cap	1	1	2
208	1/4" Collet	1	1	2
01-2370	Cushioned Platen (3/4" Attachment)	2	2	4
01-2351	Cushioned Platen (1/2" Attachment)	2	2	4
<b>12L2384-B1</b>				
01-2370	Cushioned Platen	2	2	4
<b>12L2384-B2</b>				
01-2351	Cushioned Platen	2	2	4

**Changing Contact Arm / Replacing Belt -**

Disconnect air supply. Snap off boom cover. Pull back on boom holder and remove abrasive belt. Install new belt, replace cover, and track belt. OR: Remove thumb wheel. Contact arm can then be removed from boom holder. Install new contact arm in reverse manner making sure that the tab on the end of the contact arm faces down. Install belt, replace cover, and track belt.

**Tracking Belt -**


With tool running, rotate thumb wheel left or right until sanding belt runs straight.

**Boom Housing Rotation Adjustment -**

Loosen screw on side of boom housing with 9/64" hex wrench. Rotate boom housing to desired position. Tighten screw.

**Conversion from Sander/File to Die Grinder -**

Disconnect from air supply. Remove boom cover and abrasive belt using above directions. Loosen screw on side of boom housing. Pull boom housing from motor. Use a 3/16" hex wrench in the end of the motor shaft to prevent rotation. Using pliers with soft jaws, twist the drive wheel counterclockwise to remove. Hand thread the collet body onto the motor shaft. Using the 3/16" hex wrench to again stop the shaft rotation, use the 9/16" open end wrench to tighten the collet body onto the motor shaft. Install collet and use 9/16" open end wrench to secure collet body and use a 3/4" open end wrench to tighten collet cap.

 **CAUTION** NEVER TIGHTEN ANY COLLET INTO THE CHUCK WITHOUT THE ARBOR OF A MOUNTED POINT OR CARBIDE BUR INSTALLED THROUGH THE COLLET.



## Sales & Service Centers

**Note:** All locations may not service all products. Please contact the nearest Sales & Service Center for the appropriate facility to handle your service requirements.

Dallas, TX  
**Apex Tool Group  
Sales & Service Center**  
1470 Post & Paddock  
Grand Prairie, TX 75050  
Tel: 972-641-9563  
Fax: 972-641-9674

Detroit, MI  
**Apex Tool Group  
Sales & Service Center**  
2630 Superior Court  
Auburn Hills, MI 48326  
Tel: 248-391-3700  
Fax: 248-391-7824

Houston, TX  
**Apex Tool Group  
Sales & Service Center**  
6550 West Sam Houston  
Parkway North, Suite 200  
Houston, TX 77041  
Tel: 713-849-2364  
Fax: 713-849-2047

Lexington, SC  
**Apex Tool Group**  
670 Industrial Drive  
Lexington, SC 29072  
Tel: 800-845-5629  
Tel: 803-951-7544  
Fax: 803-358-7681

Los Angeles, CA  
**Apex Tool Group  
Sales & Service Center**  
15503 Blackburn Avenue  
Norwalk, CA 90650  
Tel: 562-623-4457  
Fax: 562-802-1718

Seattle, WA  
**Apex Tool Group  
Sales & Service Center**  
2865 152nd Avenue N.E.  
Redmond, WA 98052  
Tel: 425-497-0476  
Fax: 425-497-0496

York, PA  
**Apex Tool Group  
Sales & Service Center**  
3990 East Market Street  
York, PA 17402  
Tel: 717-755-2933  
Fax: 717-757-5063

Canada  
**Apex Tool Group  
Sales & Service Center**  
5925 McLaughlin Road  
Mississauga, Ont. L5R 1B8  
Canada  
Tel: 905-501-4785  
Fax: 905-501-4786

Germany  
Cooper Power Tools  
GmbH & Co. OHG  
a company of  
Apex Tool Group, LLC  
Industriestraße 1  
73463 Westhausen  
Germany  
Tel: +49 (0) 73 63 81 0  
Fax: +49 (0) 73 63 81 222

England  
Cooper Power Tools  
GmbH & Co. OHG  
a company of  
Apex Tool Group, LLC  
C/O Spline Gauges  
Piccadilly, Tamworth  
Staffordshire B78 2ER  
United Kingdom  
Tel: +44 1827 8741 28  
Fax: +44 1827 8741 28

France  
Cooper Power Tools SAS  
a company of  
Apex Tool Group, LLC  
25 rue Maurice Chevalier  
77330 Ozoir-La-Ferrière  
France  
Tel: +33 1 6443 2200  
Fax: +33 1 6443 1717

China  
Cooper (China) Co., Ltd.  
a company of  
Apex Tool Group, LLC  
955 Sheng Li Road,  
Heqing Pudong, Shanghai  
China 201201  
Tel: +86-21-28994176  
Fax: +86-21-51118446

Mexico  
Cooper Tools  
de México S.A. de C.V.  
a company of  
Apex Tool Group, LLC  
Vialidad El Pueblito #103  
Parque Industrial Querétaro  
Querétaro, QRO 76220  
Mexico  
Tel: +52 (442) 211-3800  
Fax: +52 (442) 103-0443

Brazil  
Cooper Tools Industrial Ltda.  
a company of  
Apex Tool Group, LLC  
Av. Liberdade, 4055  
Zona Industrial - Iporanga  
SP Brazil  
Tel: +55 15 2383929  
Fax: +55 15 2383260

Hungary  
Cooper Tools Hungaria Kft.  
a company of  
Apex Tool Group, LLC  
Berkenyefa sor 7  
Pf: 640  
9027 Győr  
Hungary  
Tel: +36 96 66 1383  
Fax: +36 96 66 1135

Apex Tool Group, LLC  
1000 Lufkin Road  
Apex, NC 27539  
Phone: 919-387-0099  
Fax: 919-387-2614  
www.apextoolgroup.com

# DOTCO®