



	12	X	2	5	XX	-	XX	XX	OH
Product Classification 12 = Ergo Grinder/Sander									
Trottle Type L = Locking Lever S = Locking Lever									
Motor Size 2 = 0.9 hp									
Handle Style 5 = Straight									
Speed Options (RPM)									
Front Exhaust									
62 = 12,000									
65 = 15,000									
68 = 18,000									
Rear Exhaust									
42 = 12,000									
45 = 15,000									
48 = 18,000									
Termination Code									
01 = 200 Series Collet									
36 = 300 Series Collet (3-piece)									
13 = Type 1 Wheel (2")									
16 = Type 1 Wheel (3")									
77 = Cone & Plug Wheel									
Optional Collet (no extra cost)									
08 = 1/8"									
10 = 5/32"									
12 = 3/16"									
14 = 7/32"									
18 = 9/32"									
20 = 5/16"									
22 = 11/32"									
24 = 3/8"									
Overhose Option (extra cost)									
OH = Overhose (rear exhaust models only)									

DOTCO

12-25 ERGO Governed Grinders

45-8170
11/12/2008

Illustration, Abbildung, Illustration, Ilustración, Illustrazione "A"

Ref	Number	#	X	EN	DE	FR	ES	IT
				Description	Benennung	Designation	Descripción	Descrizione
1	14-0851	1		Housing Wrench	Schraubenschlüssel	Clé plate	La llave	La chiave
2	Table A	1	1	Inlet Adapter	Zwischenstück	Adaptateur	Adaptador	Adattatore
3	01-2506	1		Exhaust Plug	Buchse	Bouchon	Tapón	Spina
4	2965	1	3	O-Ring	O-Ring	Joint torique	Anillo "O"	Anello ad O
5	3036	1	3	O-Ring	O-Ring	Joint torique	Anillo "O"	Anello ad O
6	01-2520	1	1	Diffuser	Diffuser	Diffuseur	Diffuseur	Diffusore
7	01-1032	1	1	Muffler	Schalldämpfer	Silencieux	Silenciador	Silenziatore
8	01-2519	1	3	Valve Spring	Druckfeder	Ressort	Resorte	Molla
9	01-2518	1	1	Valve	Ventil	Soupape	Válvula	Valvola
10	01-2504	1		Valve Seat	Ventilsitz	Siège de soupape	Asiento de la válvula	Sede valvola
11	1042	1	1	Lever Pin	Stift	Goupille cylindrique	Pasador	Spina
12	01-2517	1	1	Push Rod	Stange	Tige	Varilla	Asta
13	01-1267	1	1	Lock-Off Lever Asm	Hebel	Lévier	Palanca	Leva
14	01-2571	1		Motor Housing	Gehäuse	Corps	Caja	Corpo
15	4293	1	2	Filter Disc	Platte	Plaque	Placa	Piattello
16	01-2016	1		Filter Retainer	Haltevorrichtung	Bague d'arrêt	Retén	Fermo
17	2937	1		Governor Nozzle	Düse	Bec	Boquilla	Ugello
18	2936	1		Adapter	Zwischenstück	Adaptateur	Adaptador	Adattatore
19	Table A	1		Governor	Regler	Régulateur	Regulador	Regolatore
20	555	1	2	Ball Bearing	Kugellager	Roulement à billes	Cojinete de bolas	Cuscinetto a sfera
21	2945	1		Rear Plate	Hintere Platte	Plaque arrière	Placa posterior	Piattello posteriore
22	1041	2	2	Pin	Stift	Goupille cylindrique	Pasador	Spina
23	2255	1		Cylinder	Zylinder	Cylindre	Cilindro	Cilindro
24	7941	1		Rotor	Rotor	Rotor	El rotor	Il rotore
25	2017	1	1	Spacer	Distanzstück	Entretoise	Espaciador	Distanziale
26	2906	4	8	Rotor Blade	Rotorblatt	Palette	Alabe del rotor	Paletta del rotore
27	2256	1		Front Plate	Vorderplatte	Plaque de devanture	Placa frontal	Piattello anteriore
28	2488	1	1	Shim Packet	Unterlegstück	Cale pelable	Calzo	Spessore
29	500	1	2	Ball Bearing	Kugellager	Roulement à billes	Cojinete de bolas	Cuscinetto a sfera
30	Table A	1		Lock Ring	Verschlussring	Bague de verrouillage	Anillo de cierre	Anello di bloccaggio
31	7818	1		Thread Guard	Schutzvorrichtung	Protection	Guarda	Protezione

(#) Quantity / Stückzahl / Quantité / Cantidad / Quantità

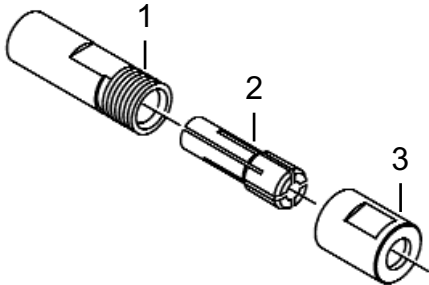
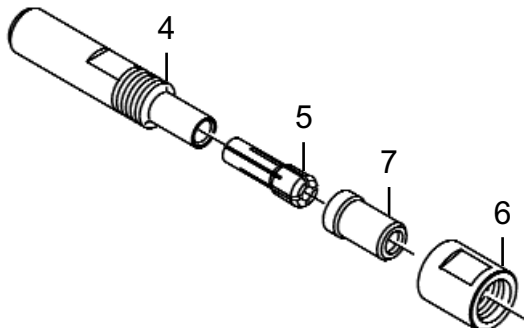
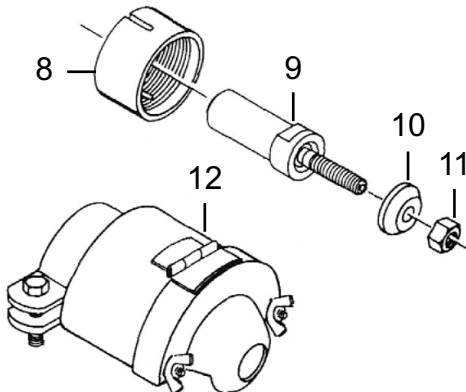
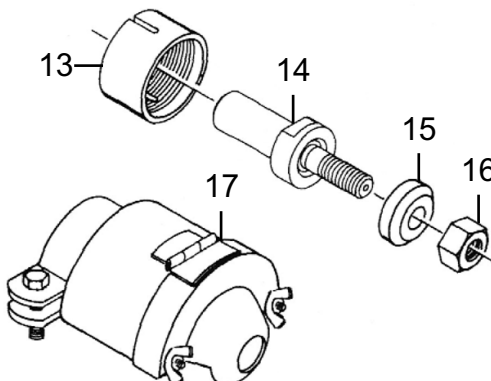
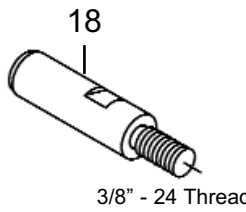
(X) Recommended Spare Parts / Kennzeichnet empfohlenes / Identifica un particolare di ricambio raccomandato / Designa el repuesto recomendado / Indique la pièce de rechange conseillée.

Table, Tabelle, Tableau, Tabla, Tabella "A"

Ref	Description	#	12-2542	#	12-2545	#	12-2548	#	12-2562	#	12-2565	#	12-2568
2	Inlet Adapter (w/o OH)	1	01-2505	1	01-2505	1	01-2505	1	01-2505	1	01-2505	1	01-2505
	Inlet Adapter (w/ OH)	1	01-1031	1	01-1031	1	01-1031		---		---		---
19	Governor	1	2933	1	2939	1	2930	1	2933	1	2939	1	2930
30	Lock Ring	1	2445	1	2445	1	2445	1	2085	1	2014	1	2014

DOTCO

12-25 ERGO Governed Grinders

"B"	<p>TERMINATION 01 200 Series Collet Spindle</p> 	<p>TERMINATION 36 300 Series Collet Spindle</p> 
<p>TERMINATION 13 Type 1 Straight Wheels (2" X 1/2" X 1/4" Wide)</p> 	<p>TERMINATION 16 Type 1 Straight Wheels (3" X 1/2" X 3/8" Wide)</p> 	
	<p>TERMINATION 77 Cone & Plug Wheels (3/8" - 24" Types 16-19)</p>  <p>3/8" - 24 Thread</p>	

DOTCO

12-25 ERGO Governed Grinders

45-8170
11/12/2008

Illustration, Abbildung, Illustration, Ilustración, Illustrazione "B"

Ref	Number	#	X	EN	DE	FR	ES	IT
				Description	Benennung	Designation	Descripción	Descrizione
Termination 01:								
1	2054	1		Chuck Body	Futter Körper	Corps de trou	Bote el Cuerpo	Il Corpo di ciottolo
2	208	1		Collet (1/4")	Futter	Douille de serrage	Boquilla	Bussola di chiusura
3	2058	1		Cap	Kappe	Chapeau	Tapa	Cappello
--	14-0809	1		Wrench (9/16")	Schraubenschlüssel	Clé plate	La llave	La chiave
	14-0812	1		Wrench (3/4")	Schraubenschlüssel	Clé plate	La llave	La chiave
Termination 36:								
4	1400	1		Chuck Body	Futter Körper	Corps de trou	Bote el Cuerpo	Il Corpo di ciottolo
5	308	1		Collet (1/4")	Futter	Douille de serrage	Boquilla	Bussola di chiusura
6	1058	1		Cap	Kappe	Chapeau	Tapa	Cappello
7	1053	1		Nosepiece	Kopfstück	Tuyère	Tobera	Naso
--	14-0807	1		Wrench (7/16")	Schraubenschlüssel	Clé plate	La llave	La chiave
	14-0811	1		Wrench (11/16")	Schraubenschlüssel	Clé plate	La llave	La chiave
Termination 13:								
8	14-2069	1		Guard Sleeve	Hülse	Douille	Manguito	Manicotto
9	8206	1		Wheel Adapter	Zwischenstück	Adaptateur	Adaptador	Adattatore
10	7653	1		Flange	Flansch	Rebord	Pestaña	Flangia
11	1573	1	1	Nut	Mutter	Ecrou	Tuerca	Dado
12	14-3010	1		Wheel Guard (2")	Schutzvorrichtung	Protection	Guarda	Protezione
--	14-0810	1		Wrench (5/8")	Schraubenschlüssel	Clé plate	La llave	La chiave
	14-0807	1		Wrench (7/16")	Schraubenschlüssel	Clé plate	La llave	La chiave
Termination 16:								
13	14-2069	1		Guard Sleeve	Hülse	Douille	Manguito	Manicotto
14	8208	1		Wheel Adapter	Zwischenstück	Adaptateur	Adaptador	Adattatore
15	14-3052	1		Flange	Flansch	Rebord	Pestaña	Flangia
16	2057	1	1	Nut	Mutter	Ecrou	Tuerca	Dado
17	14-3011	1		Wheel Guard (3")	Schutzvorrichtung	Protection	Guarda	Protezione
--	14-0809	1		Wrench (9/16")	Schraubenschlüssel	Clé plate	La llave	La chiave
	14-0814	1		Wrench (7/8")	Schraubenschlüssel	Clé plate	La llave	La chiave
Termination 77:								
18	7525	1		Cone Wheel Arbor	Dorn	axe	cenador	supporto conico
--	14-0808	1		Wrench (1/2")	Schraubenschlüssel	Clé plate	La llave	La chiave

(#) Quantity / Stückzahl / Quantité / Cantidad / Quantità

(X) Recommended Spare Parts / Kennzeichnet empfohlenes / Identifica un particolare di ricambio raccomandato / Designa el repuesto recomendado / Indique la pièce de rechange conseillée.

Sales & Service Centers

Note: All locations may not service all products. Please contact the nearest Sales & Service Center for the appropriate facility to handle your service requirements.

Dallas, TX
**Apex Tool Group
Sales & Service Center**
1470 Post & Paddock
Grand Prairie, TX 75050
Tel: 972-641-9563
Fax: 972-641-9674

Detroit, MI
**Apex Tool Group
Sales & Service Center**
2630 Superior Court
Auburn Hills, MI 48326
Tel: 248-391-3700
Fax: 248-391-7824

Houston, TX
**Apex Tool Group
Sales & Service Center**
6550 West Sam Houston
Parkway North, Suite 200
Houston, TX 77041
Tel: 713-849-2364
Fax: 713-849-2047

Lexington, SC
Apex Tool Group
670 Industrial Drive
Lexington, SC 29072
Tel: 800-845-5629
Tel: 803-951-7544
Fax: 803-358-7681

Los Angeles, CA
**Apex Tool Group
Sales & Service Center**
15503 Blackburn Avenue
Norwalk, CA 90650
Tel: 562-623-4457
Fax: 562-802-1718

Seattle, WA
**Apex Tool Group
Sales & Service Center**
2865 152nd Avenue N.E.
Redmond, WA 98052
Tel: 425-497-0476
Fax: 425-497-0496

York, PA
**Apex Tool Group
Sales & Service Center**
3990 East Market Street
York, PA 17402
Tel: 717-755-2933
Fax: 717-757-5063

Canada
**Apex Tool Group
Sales & Service Center**
5925 McLaughlin Road
Mississauga, Ont. L5R 1B8
Canada
Tel: 905-501-4785
Fax: 905-501-4786

Germany
Cooper Power Tools
GmbH & Co. OHG
a company of
Apex Tool Group, LLC
Industriestraße 1
73463 Westhausen
Germany
Tel: +49 (0) 73 63 81 0
Fax: +49 (0) 73 63 81 222

England
Cooper Power Tools
GmbH & Co. OHG
a company of
Apex Tool Group, LLC
C/O Spline Gauges
Piccadilly, Tamworth
Staffordshire B78 2ER
United Kingdom
Tel: +44 1827 8741 28
Fax: +44 1827 8741 28

France
Cooper Power Tools SAS
a company of
Apex Tool Group, LLC
25 rue Maurice Chevalier
77330 Ozoir-La-Ferrière
France
Tel: +33 1 6443 2200
Fax: +33 1 6443 1717

China
Cooper (China) Co., Ltd.
a company of
Apex Tool Group, LLC
955 Sheng Li Road,
Heqing Pudong, Shanghai
China 201201
Tel: +86-21-28994176
Fax: +86-21-51118446

Mexico
Cooper Tools
de México S.A. de C.V.
a company of
Apex Tool Group, LLC
Vialidad El Pueblito #103
Parque Industrial Querétaro
Querétaro, QRO 76220
Mexico
Tel: +52 (442) 211-3800
Fax: +52 (442) 103-0443

Brazil
Cooper Tools Industrial Ltda.
a company of
Apex Tool Group, LLC
Av. Liberdade, 4055
Zona Industrial - Iporanga
SP Brazil
Tel: +55 15 2383929
Fax: +55 15 2383260

Hungary
Cooper Tools Hungaria Kft.
a company of
Apex Tool Group, LLC
Berkenyefa sor 7
Pf: 640
9027 Győr
Hungary
Tel: +36 96 66 1383
Fax: +36 96 66 1135

Apex Tool Group, LLC
1000 Lufkin Road
Apex, NC 27539
Phone: 919-387-0099
Fax: 919-387-2614
www.apextoolgroup.com

DOTCO®