

Product Manual
45-8452EN
12/28/2015

DOTCO[®]

**10LF and 12LF Series
Right Angle Grinder and Sander**



For additional product information visit our website at <http://www.apextoolgroup.com>

Dotco®
Nomenclature

	XX	L	F	2	XX	-	XX	XX	XX
<u>Tool Series</u>									
10 = Aluminum Housing 12 = Ergo Housing									
<u>Throttle Type</u>									
L = Locking Lever									
<u>Motor Size</u>									
F = 0.4 hp									
<u>Handle Style</u>									
2 = Right Angle									
<u>Speed Options (RPM)</u>									
Front Exhaust					Rear Exhaust				
00 = 12,000					80 = 12,000				
01 = 20,000					81 = 20,000				
<u>Primary Termination Code</u>									
32 = 1/4-28 Threaded Spindle									
36 = 300 Series 1/4" Capacity Collet (3 piece)									
<u>Extended Termination Code</u>									
B1 = Belt Sander (1/4" x 12")									
B2 = Belt Sander (1/2" x 12")									
B3 = Belt Sander (1/2" x 24")									
B4 = Belt Sander (1" x 12")									
B5 = Belt Sander (1" x 24")									
<u>Options</u>									
Optional Collets									

The original language of this manual is English.

Product Safety Information:

Intended Use:

This pneumatic material removal tool is to be used only for removing material by utilizing appropriate abrasive wheels, rotary files or other material removal cutting devices.

For product safety information and requirements for grinding without a wheel guard refer to Apex Tool Group, LLC or Apex Tool Group GmbH & Co. OHG documents:

- GS-2007, General Safety Pneumatic Grinders
- CE-2012, General Safety Sanders



This product must not be modified in any manner unless approved in writing by Apex Tool Group, LLC or Apex Tool Group GmbH & Co. OHG. All safety devices must be properly installed and maintained in good working order.

EC Declaration of Conformity:

We affirm that this machine is in accordance with the following EC regulations (2006/42/EC). Applied harmonized standards are ISO 12100:2010-11.

The name, job function and address of the person authorized to compile the technical file.

Mr. Vishnu Irigireddy
Director of Global R&D- Mechanical Engineering
Apex Tool Group
670 Industrial Drive
Lexington, SC 29072

Signature: Vishnu Irigireddy
Date: December 17, 2015

Noise and Vibration:

- 10LF Series Noise Level: ≤ 85 dB(A)
- 12LF Series Noise Level: ≤ 85 dB(A)
- 10LF Series Vibration Level: < 2.5 m/s²
- 12LF Series Vibration Level: < 2.5 m/s²

Air Line Lubrication:

Use Apex Tool Group, LLC or Apex Tool Group GmbH & Co. OHG's lightweight air tool oil 500021 (available in quantities shown in the following chart) or an SAE-5 lightweight spindle oil.

Part No.	Packaged	Designation
540397	1 Quart (0.94 liter)	Airlube 10W/NR-420LB DR
533485	1 US Gallon (3.78 liter)	Airlube 10W/NR-420LB DR

Grease:

Part No.	Packaged	Designation
45-0980	2 oz. (0.06 kg)	Angle Head: Moly-XL SAE 250
540395	2 oz. (0.06 kg)	Planetary: Magnalube-G
513156	16 oz. (0.45 kg)	Planetary: Magnalube-G

Air Supply Line:

Parameter	Description
Air Hose	Minimum inside diameter: 1/4" (6,4 mm) Maximum length: 8.0' (2,4 m)
Air Pressure	Recommended: 90 psi (620 kPa)
Compressed air	Air quality according to ISO 8573-1, quality class 2.4.3 The compressed air must be clean and dry.

Service and Repair:

Tool service and repair should be performed by an authorized Apex Tool Group, LLC or Apex Tool Group GmbH & Co. OHG Center. Refer to the last page of this manual for locations.

Disposal:



Observe local disposal guidelines for all components of this tool and its packaging.

Copyright Protection:

Apex Tool Group, LLC or Apex Tool Group GmbH & Co. OHG reserves the right to modify, supplement or improve this document or the product without prior notice. This document may not be reproduced in any way, shape or form, in full or parts thereof, or copied to another natural or machine readable language or to a data carrier, whether electronic, mechanical, optical or otherwise without the express permission of Apex Tool Group, LLC or Apex Tool Group GmbH & Co. OHG

Models
10LF200-
10LF201-
12LF200-
12LF201-

“A”

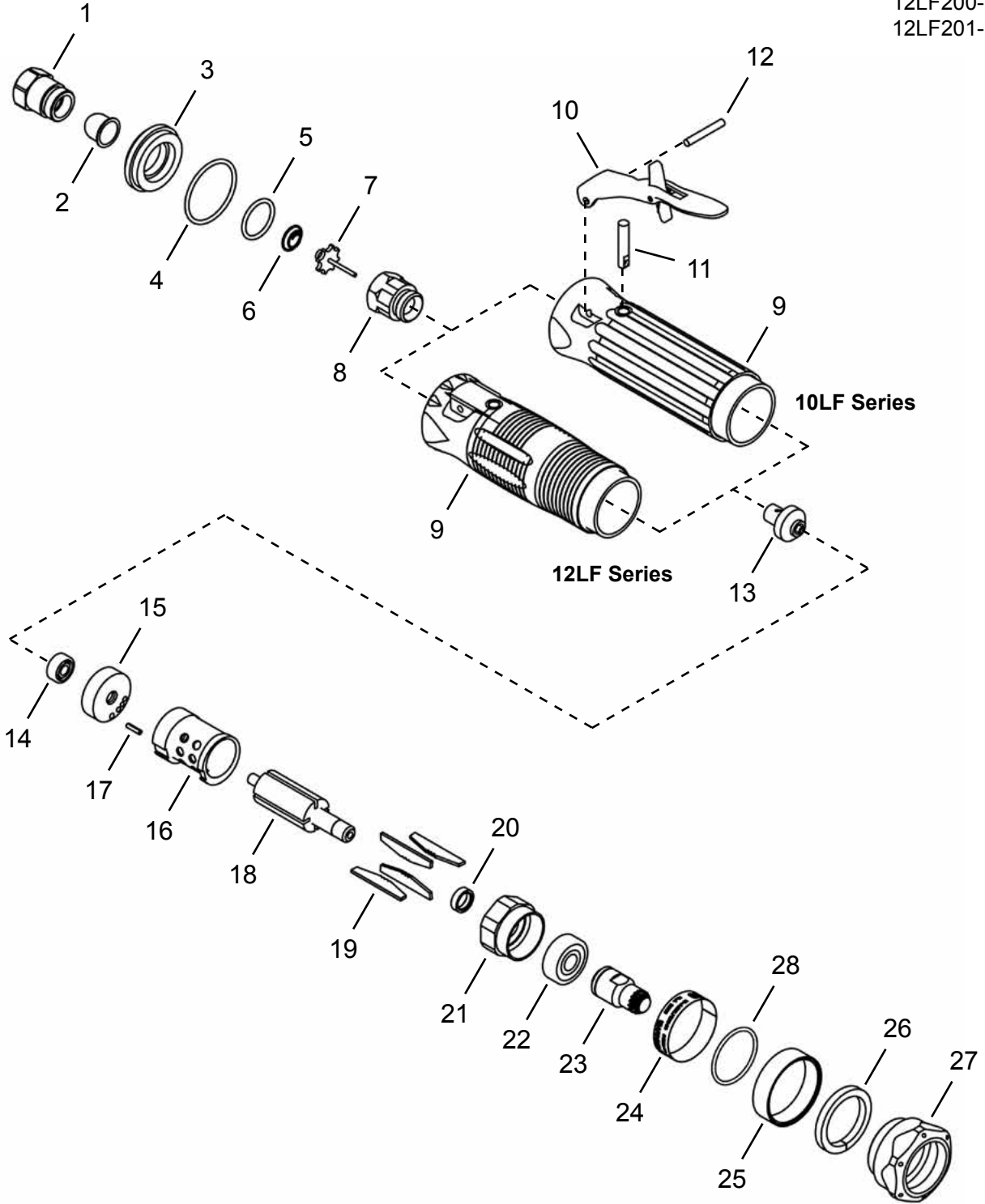


Illustration "A": Front Exhaust Models

Ref	Number	#	X	EN	
				Description	
1	01-2505	1	2	Inlet Adapter	
2	203480PT	1	3	Filter	
3	01-2506	1		Exhaust Plug	
4	3036PT	1	3	O-Ring	
5	2965	1	3	O-Ring	
6	01-2519	1	3	Spring	
7	01-2518	1		Poppet Valve	
8	01-2504	1		Valve Seat	
9	Table "A"	1		Housing	
10	01-1267	1	2	Lockoff Lever Assembly	
11	01-1017	1	2	Shaft	
12	1042	1	2	Pin	
13	03-1100	1		Governor Valve	
14	1009879	1	2	Ball Bearing	
15	1110072	1		Rear End Plate	
16	1017579	1		Cylinder (includes Ref. 17)	
17	1017422	1	3	Cylinder Pin	
18	03-1005	1		Rotor	
19	1008914	4	12	Rotor Blade	
20	1017PT	1		Spacer	
21	03-1064	1		Front End Plate	
22	03-1111	1	2	Ball Bearing	
23	Table "A"	1	1	Gear Set	
24	03-1086	1		Label	
25	03-1087	1		Label Cover	
26	03-1113	1	3	Muffler Element	
27	03-1043	1		Lock Ring	
28	93040050	1	3	O-Ring	

(#) Quantity

(X) Recommended Spare Parts (quantity shown based on 1-5 tools in operation)

Table "A"

Ref.	Description	#	10LF200-	#	12LF200-	#	10LF201-	#	12LF201-
9	Housing	1	03-1107	1	03-1112	1	03-1107	1	03-1112
23	Gear Set	1	03-1115	1	03-1115	1	03-1116	1	03-1116

Models
10LF280-
10LF281-
12LF280-
12LF281-

“B”

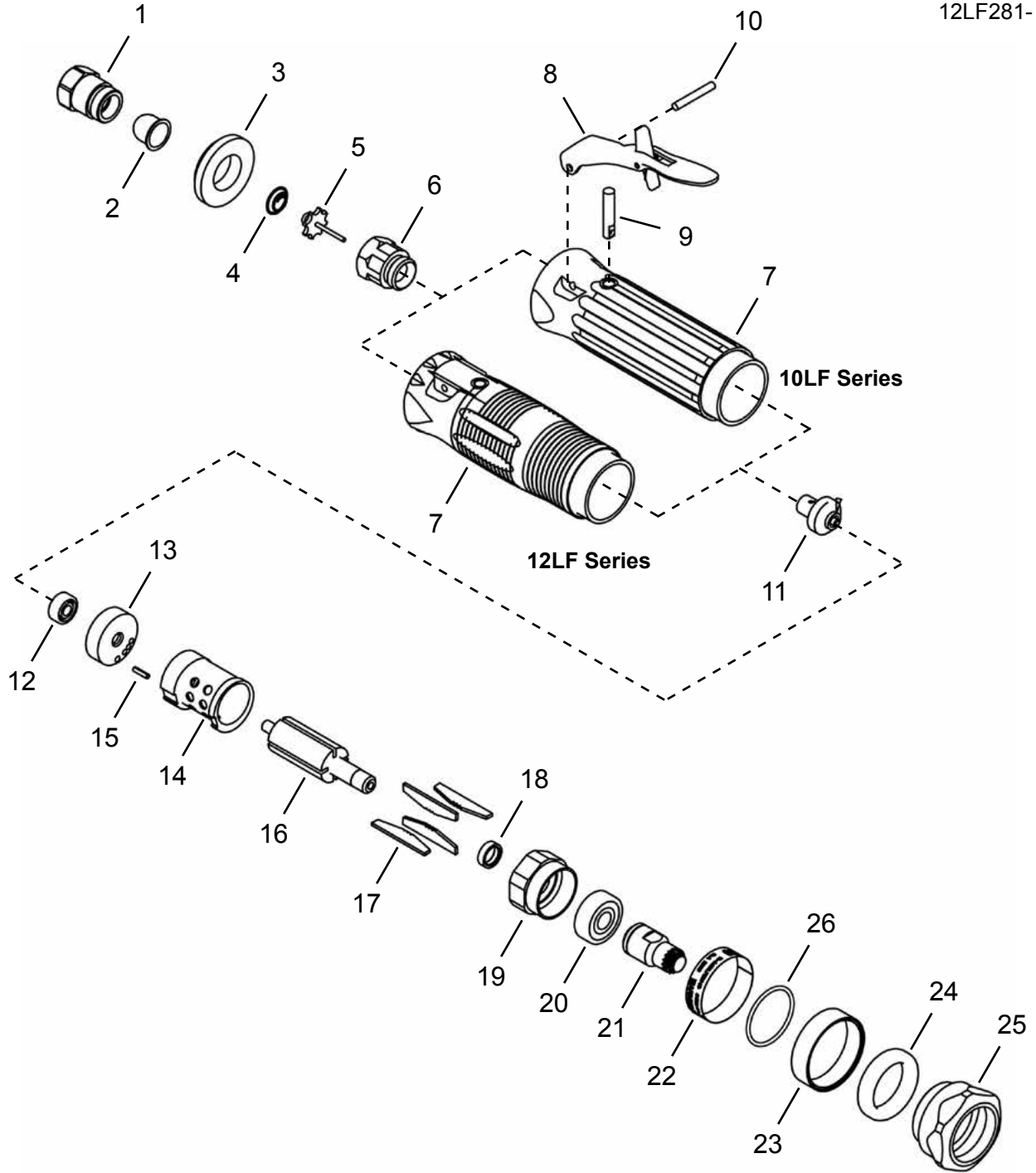


Illustration "B": Rear Exhaust Models

Ref	Number	#	X	EN	
				Description	
1	01-2505	1	2	Inlet Adapter	
2	203480PT	1	3	Filter	
3	01-2520	1		Diffuser	
4	01-2519	1	3	Spring	
5	01-2518	1		Poppet Valve	
6	01-2504	1		Valve Seat	
7	Table "B"	1		Housing	
8	01-1267	1	2	Lockoff Lever Assembly	
9	01-1017	1	2	Shaft	
10	1042	1	2	Pin	
11	03-1100	1		Governor Valve	
12	1009879	1	2	Ball Bearing	
13	1110072	1		Rear End Plate	
14	1017579	1		Cylinder (includes Ref. 15)	
15	1017422	1	3	Cylinder Pin	
16	03-1005	1		Rotor	
17	1008914	4	12	Rotor Blade	
18	1017PT	1		Spacer	
19	03-1064	1		Front End Plate	
20	03-1111	1	2	Ball Bearing	
21	Table "B"	1	1	Gear Set	
22	03-1086	1		Label	
23	03-1087	1		Label Cover	
24	01-1025	1	3	Seal	
25	03-1044	1		Lock Ring	
26	93040050	1	3	O-Ring	

(#) Quantity

(X) Recommended Spare Parts (quantity shown based on 1-5 tools in operation)

Table "B"

Ref.	Description	#	10LF280-	#	12LF280-	#	10LF281-	#	12LF281-
7	Housing	1	03-1107	1	03-1112	1	03-1107	1	03-1112
21	Gear Set	1	03-1115	1	03-1115	1	03-1116	1	03-1116

Dotco® Angle Attachment

“C”

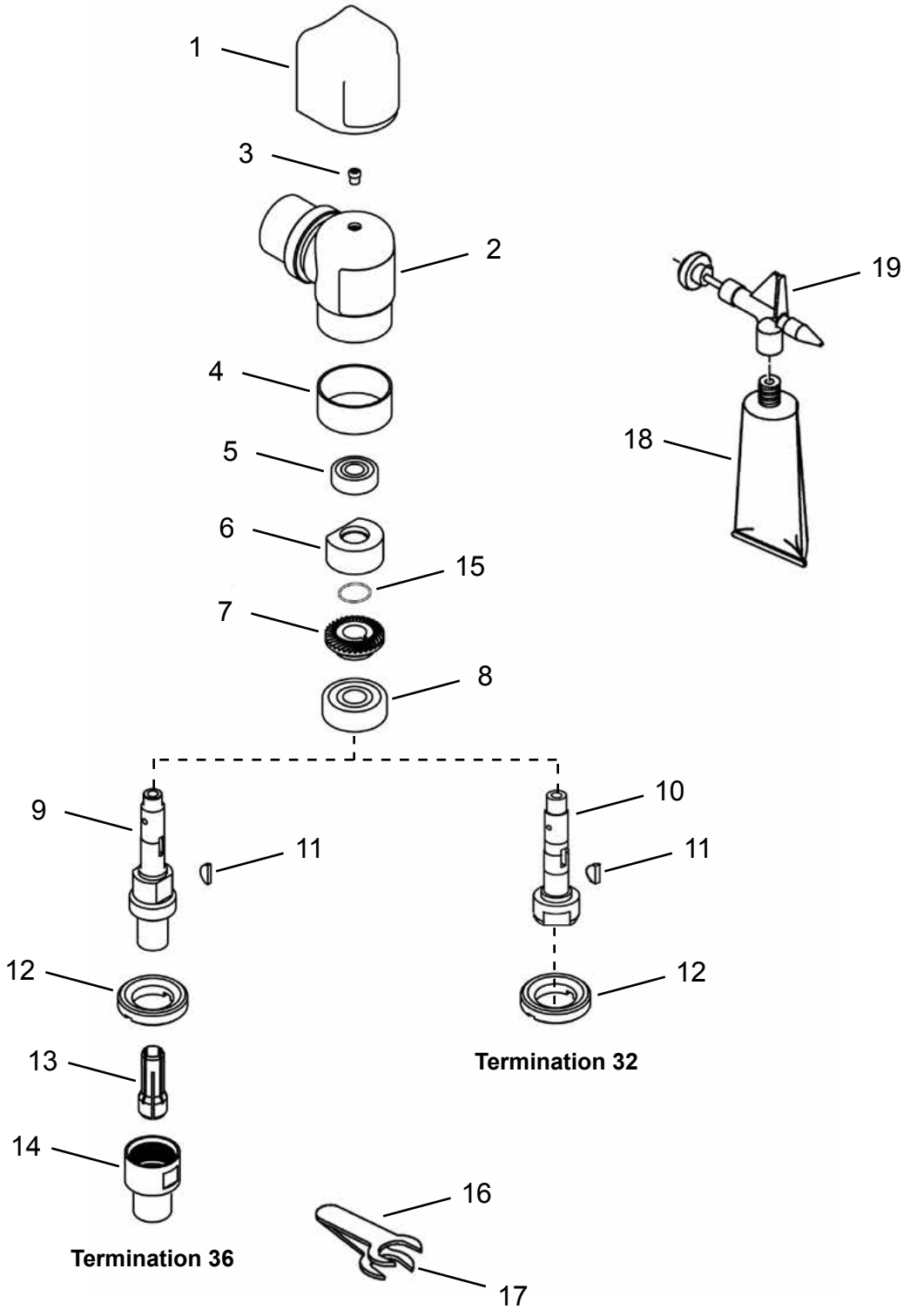


Illustration "C": Angle Attachment

Ref	Number	#	X	EN
				Description
1	01-1048	1	2	Angle Head Cover
2	1024PT	1		Angle Head Housing (includes Ref. 3-4)
3	1463PT	1	2	Grease Fitting
4	1356PT	1		Wear Ring
5	504PT	1	3	Ball Bearing
6	1755PT	1	3	Lubricator Disc
7	Table "C"	1	1	Gear Set
8	03-1111	1	2	Ball Bearing
9	1029PT	1		Spindle (Termination -36)
10	1069	1		Spindle (Termination -32)
11	1062PT	1	3	Key
12	1025PT	1		Lock Ring
13	Table "C1"	1	3	300 Series Collet
14	208196PT	1	3	Nosepiece Cap
15	2053PT	1	3	O-Ring
16	14-0807	1		7/16" Wrench
17	14-0811	1		11/16" Wrench (Termination -36)
18	45-0980	1	2	Gear Lube (2 oz.)
19	45-1982	1		Grease Gun

(#) Quantity

(X) Recommended Spare Parts (quantity shown based on 1-5 tools in operation)

Table "C"

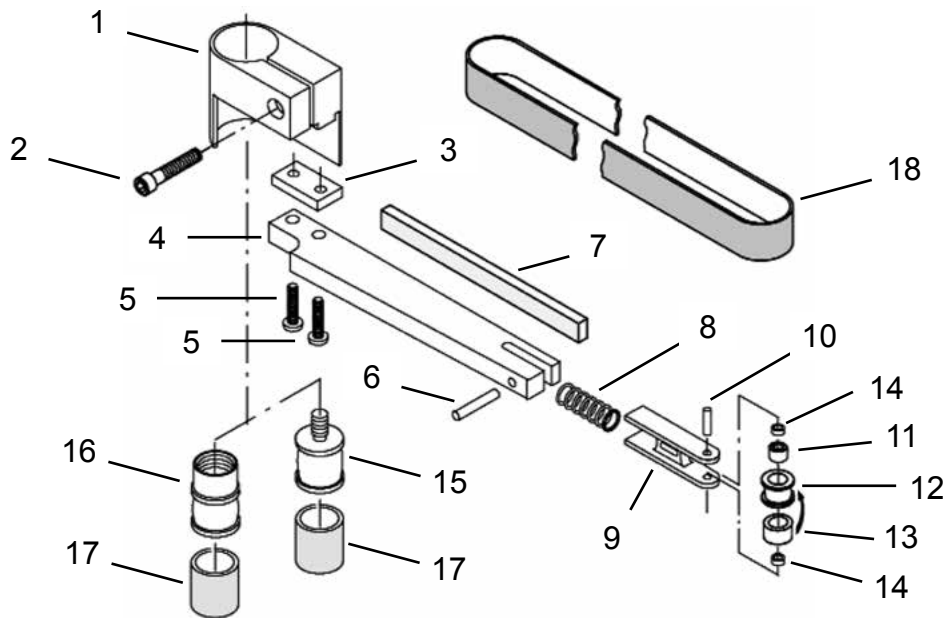
Ref.	Description	#	10LF200- 12LF200- 10LF280- 12LF280-	#	10LF201- 12LF201- 10LF281- 12LF281-
7	Gear Set	1	03-1115	1	03-1116

Table "C1"

300 Series Optional Collets					
Part No.	Arbor Size	Part No.	Arbor Size	Part No.	Arbor Size
301PT	3/64"	305PT	5/32"	310PT	6mm
302PT	5/64"	306PT	3/16"		
303	3/32"	308PT *	1/4"		
304PT	1/8"	311	3mm		

* Standard Collet

“D” Termination -B1 (1/4” x 12” Belt Sander)



Dotco®
Extended Terminations

45-8452EN
12/28/2015

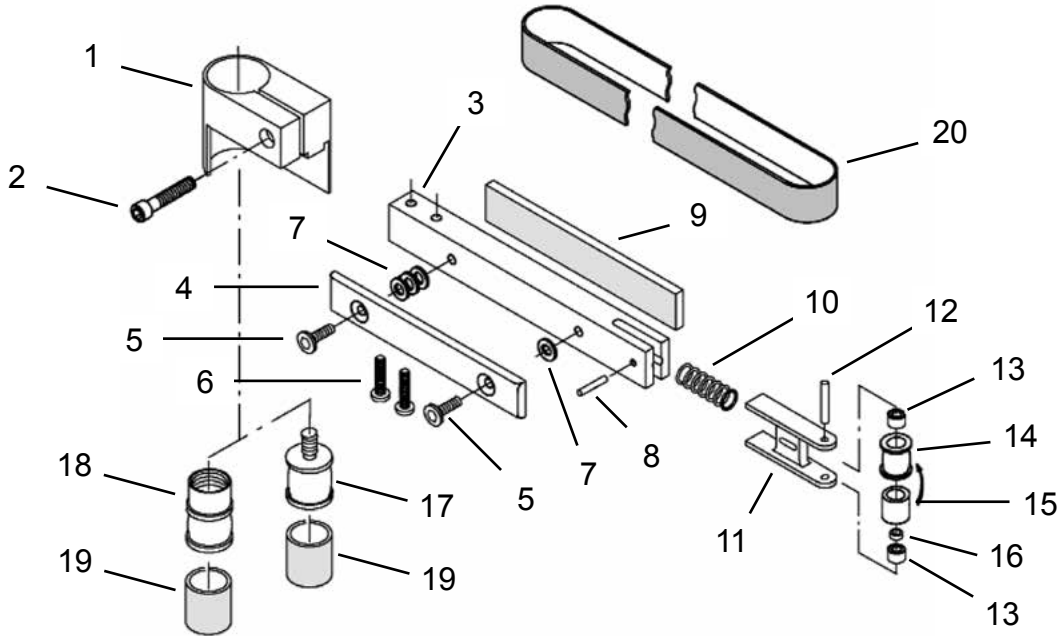
Illustration "D" - Belt Sander Termination B1

Ref	Number	#	X	EN
				Description
--	14-1638S	1		Belt Sander Assembly (includes Ref. 1-14)
1	14-1297	1		Guard
2	2826PT	1	1	Screw
3	14-1619	1		Spacer
4	14-1597	1		Boom
5	1900PT	2	4	Screw
6	1833PT	1		Pin
7	14-1343	1	1	Cushioned Platen
8	1904PT	1	2	Yoke Spring
9	14-1617	1		Yoke
10	1831PT	1	1	Yoke Pin
--	14-1602	1	1	Wheel Assembly (includes Ref. 11-13)
11	564PT	1	2	Ball Bearing
12	14-1604	1	1	Wheel (includes Ref. 13)
13	14-1616	1	3	Tire
14	14-1618	2		Spacer
15	14-1308	1	1	Drive Wheel (32B1 Termination) (includes Ref. 17)
16	14-1309	1	1	Drive Wheel (36B1 Termination) (includes Ref. 17)
17	14-1304	1	3	Tire
18	14-1591	1	6	Sanding Belt (80 Grit)
	14-1593	1	6	Sanding Belt (120 Grit)

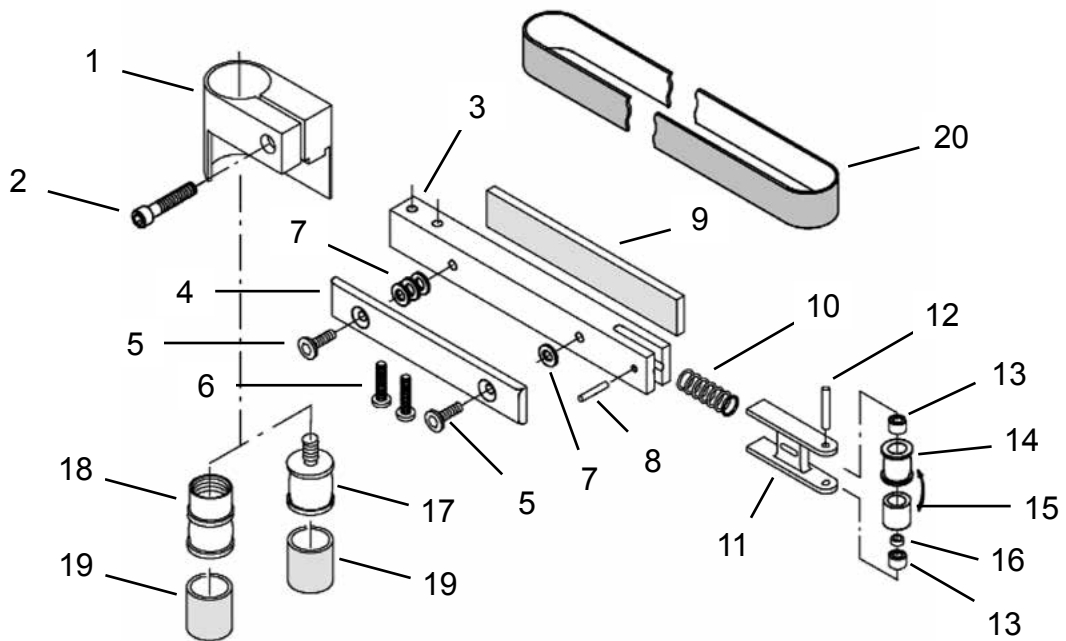
(#) Quantity

(X) Recommended Spare Parts (quantity shown based on 1-5 tools in operation)

“E” Termination -B2 (1/2" x 12" Belt Sander)



“F” Termination -B3 (1/2" x 24" Belt Sander)



Dotco®
Extended Terminations

45-8452EN
12/28/2015

Illustration "E" - Belt Sander Termination B2

Ref	Number	#	X	EN
				Description
--	14-1301S	1		Belt Sander Assembly (includes Ref. 1-16)
1	14-1297	1		Guard
2	2826PT	1	1	Screw
3	14-1298	1		Boom
4	14-1293	1		Steel Platen
5	1902PT	2	4	Screw
6	1900PT	2	4	Screw
7	1901	4	12	Nylon Washer
8	1833PT	1		Pin
9	14-1338	1	1	Cushioned Platen
10	1904PT	1	2	Yoke Spring
11	14-1296	1		Yoke
12	1903PT	1	1	Yoke Pin
--	14-1311	1	1	Wheel Assembly (includes Ref. 13-16)
13	564PT	2	4	Ball Bearing
14	14-1312	1	1	Wheel (includes Ref. 15)
15	14-1305	1	3	Tire
16	1345PT	1		Spacer
17	14-1308	1	1	Drive Wheel (32B2 Termination) (includes Ref. 19)
18	14-1309	1	1	Drive Wheel (36B2 Termination) (includes Ref. 19)
19	14-1304	1	3	Tire
20	14-1348	1	6	Sanding Belt (80 Grit)
	14-1352	1	6	Sanding Belt (120 Grit)

(#) Quantity

(X) Recommended Spare Parts (quantity shown based on 1-5 tools in operation)

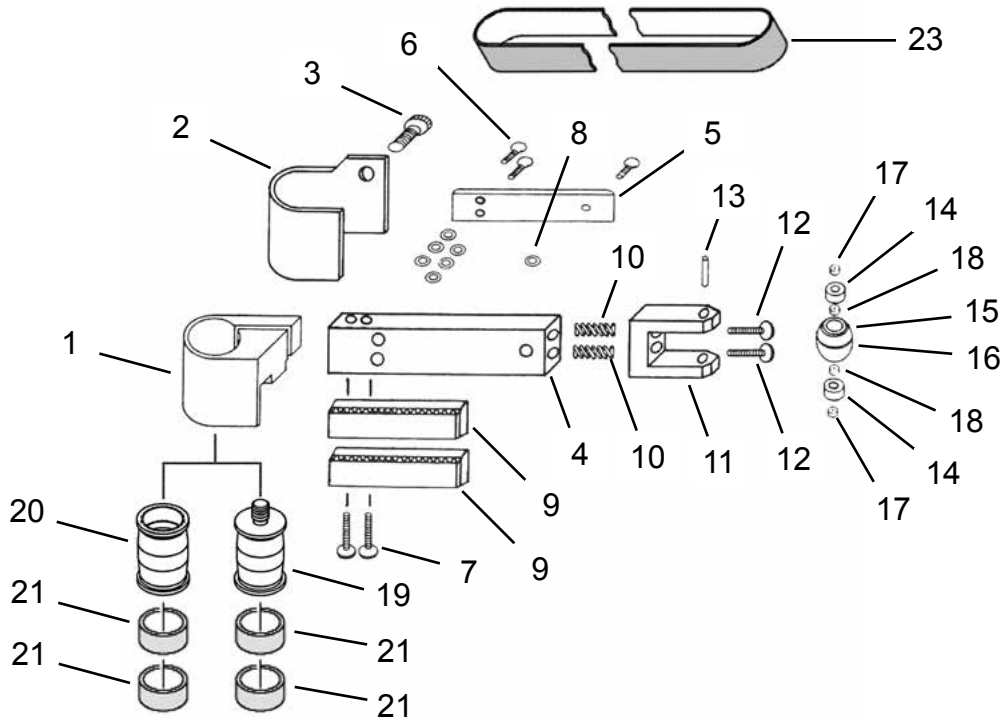
Illustration "F" - Belt Sander Termination B3

Ref	Number	#	X	EN
				Description
--	14-1318S	1		Belt Sander Assembly (includes Ref. 1-16)
1	14-1297	1		Guard
2	2826PT	1	1	Screw
3	14-1320	1		Boom
4	14-1314	1		Steel Platen
5	1902PT	2	4	Screw
6	1900PT	2	4	Screw
7	1901	4	12	Nylon Washer
8	1833PT	1		Pin
9	14-1341	1	1	Cushioned Platen
10	1904PT	1	2	Yoke Spring
11	14-1296	1		Yoke
12	1903PT	1	1	Yoke Pin
--	14-1311	1	1	Wheel Assembly (includes Ref. 13-16)
13	564PT	2	4	Ball Bearing
14	14-1312	1	1	Wheel (includes Ref. 15)
15	14-1305	1	3	Tire
16	1345PT	1		Spacer
17	14-1308	1	1	Drive Wheel (32B3 Termination) (includes Ref. 19)
18	14-1309	1	1	Drive Wheel (36B3 Termination) (includes Ref. 19)
19	14-1304	1	3	Tire
20	14-1368	1	6	Sanding Belt (80 Grit)
	14-1372	1	6	Sanding Belt (120 Grit)

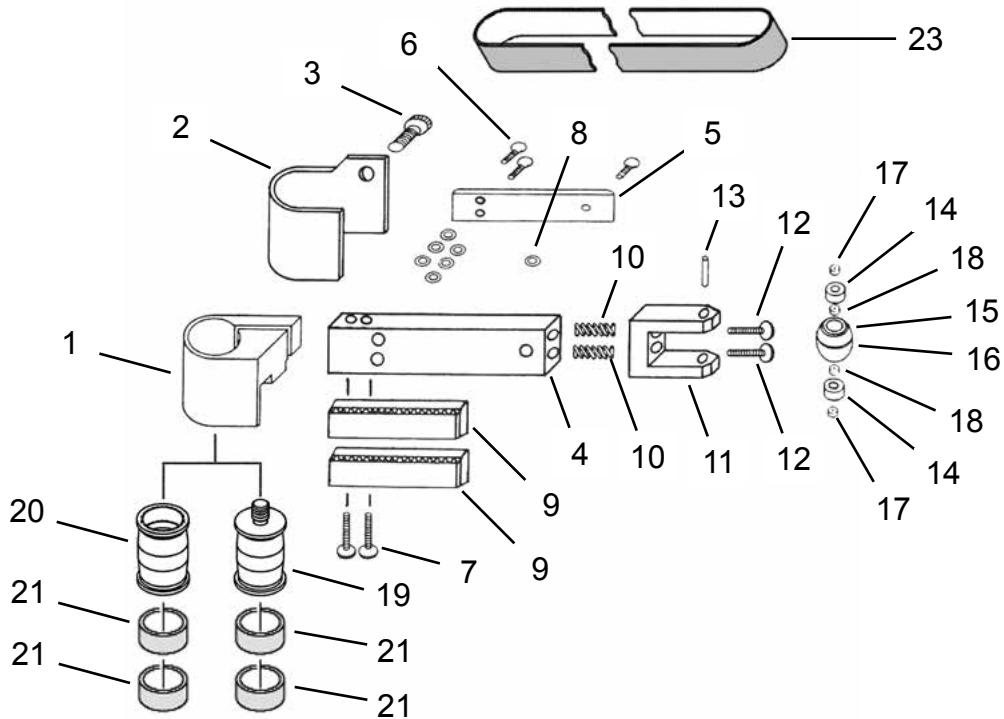
(#) Quantity

(X) Recommended Spare Parts (quantity shown based on 1-5 tools in operation)

“G” Termination -B4 (1” x 12” Belt Sander)



“H” Termination -B5 (1” x 24” Belt Sander)



Dotco®

Extended Terminations

45-8452EN
12/28/2015

Illustration "G" - Belt Sander Termination B4

Ref	Number	#	X	EN
				Description
--	14-1463	1		Belt Sander Assembly (32B4 Termination) (includes Ref. 1-22)
--	14-1473	1		Belt Sander Assembly (36B4 Termination) (includes Ref. 1-22)
1	14-1356	1		Guard
2	14-1471	1		Guard
3	14-1498	1	1	Screw
4	14-1464	1		Boom
5	14-1466	1		Steel Platen
6	1902PT	3	6	Screw
7	7731	2	4	Screw
8	1901	7	14	Nylon Washer
9	14-1338	2	2	Cushioned Platen
10	14-1478	2	4	Yoke Spring
11	14-1465	1		Yoke
12	2193PT	2	4	Yoke Screw
13	14-3036	1	1	Yoke Pin
--	14-1472	1	1	Wheel Assembly (includes Ref. 14-18)
14	564PT	2	4	Ball Bearing
15	14-1469	1	1	Wheel (includes Ref. 16)
16	14-1305	2	6	Tire
17	14-1467	2		Spacer
18	1345PT	2		Spacer
19	14-1468	1	1	Drive Wheel (32B4 Termination) (includes Ref. 21)
20	14-1470	1	1	Drive Wheel (36B4 Termination) (includes Ref. 21)
21	14-1304	2	6	Tire
22	14-0184PT	1		Wrench (1/8") (not shown)
23	14-1583	1	6	Sanding Belt (80 Grit)
	14-1585	1	6	Sanding Belt (120 Grit)

(#) Quantity

(X) Recommended Spare Parts (quantity shown based on 1-5 tools in operation)

Illustration "H" - Belt Sander Termination B5

Ref	Number	#	X	EN
				Description
--	14-1603	1		Belt Sander Assembly (32B5 Termination) (includes Ref. 1-22)
--	14-1613	1		Belt Sander Assembly (36B5 Termination) (includes Ref. 1-22)
1	14-1356	1		Guard
2	14-1471	1		Guard
3	14-1498	1	1	Screw
4	14-1614	1		Boom
5	14-1615	1		Steel Platen
6	1902PT	3	6	Screw
7	7731	2	4	Screw
8	1901	7	14	Nylon Washer
9	14-1341	2	2	Cushioned Platen
10	14-1478	2	4	Yoke Spring
11	14-1465	1		Yoke
12	2193PT	2	4	Yoke Screw
13	14-3036	1	1	Yoke Pin
--	14-1472	1	1	Wheel Assembly (includes Ref. 14-18)
14	564PT	2	4	Ball Bearing
15	14-1469	1	1	Wheel (includes Ref. 16)
16	14-1305	2	6	Tire
17	14-1467	2		Spacer
18	1345PT	2		Spacer
19	14-1468	1	1	Drive Wheel (32B5 Termination) (includes Ref. 21)
20	14-1470	1	1	Drive Wheel (36B5 Termination) (includes Ref. 21)
21	14-1304	2	6	Tire
22	14-0184PT	1		Wrench (1/8") (not shown)
23	14-1643	1	6	Sanding Belt (80 Grit)
	14-1645	1	6	Sanding Belt (120 Grit)

(#) Quantity

(X) Recommended Spare Parts (quantity shown based on 1-5 tools in operation)

POWER TOOLS SALES & SERVICE CENTERS

Please note that all locations may not service all products.

Contact the nearest Apex Tool Group Sales & Service Center for the appropriate facility to handle your service requirements.

NORTH AMERICA | SOUTH AMERICA

Detroit, Michigan

Apex Tool Group
2630 Superior Court
Auburn Hills, MI 48236
Phone: +1 (248) 393-5640
Fax: +1 (248) 391-6295

Lexington, South Carolina

Apex Tool Group
670 Industrial Drive
Lexington, SC 29072
Phone: +1 (800) 845-5629
Phone: +1 (919) 387-0099
Fax: +1 (803) 358-7681

Louisville, Kentucky

Apex Tool Group
1000 Glengarry Drive
Suite 150
Fairdale, KY 40118
Phone: +1 (502) 708-3400
apexpowertools.com/service

Canada

Apex Tool Canada, Ltd.
7631 Bath Road
Mississauga, Ontario L4T 3T1
Canada
Phone: (866) 691-6212
Fax: (905) 673-4400

Mexico

Apex Tool Group
Manufacturing México
S. de R.L. de C.V.
Vialidad El Pueblito #103
Parque Industrial Querétaro
Querétaro, QRO 76220
Mexico
Phone: +52 (442) 211 3800
Fax: +52 (800) 685 5560

Brazil

Apex Tool Group
Ind. Com. Ferram, Ltda.
Av. Liberdade, 4055
Zona Industrial Iporanga
Sorocaba, São Paulo
CEP# 18087-170
Brazil
Phone: +55 15 3238 3820
Fax: +55 15 3238 3938

EUROPE | MIDDLE EAST | AFRICA

England

Apex Tool Group
GmbH & Co. OHG
C/O Spline Gauges
Piccadilly, Tamworth
Staffordshire B78 2ER
United Kingdom
Phone: +44 1827 8727 71
Fax: +44 1827 8741 28

France

Apex Tool Group S.A.S.
25 rue Maurice Chevalier
B.P. 28
77831 Ozoir-La-Ferrière
Cedex, France
Phone: +33 1 64 43 22 00
Fax: +33 1 64 43 17 17

Germany

Apex Tool Group
GmbH & Co. OHG
Industriestraße 1
73463 Westhausen
Germany
Phone: +49 (0) 73 63 81 0
Fax: +49 (0) 73 63 81 222

Hungary

Apex Tool Group
Hungária Kft.
Platánfa u. 2
9027 Győr
Hungary
Phone: +36 96 66 1383
Fax: +36 96 66 1135

ASIA PACIFIC

Australia

Apex Tool Group
519 Nurigong Street, Albury
NSW 2640
Australia
Phone: +61 2 6058 0300

China

Apex Power Tool Trading
(Shanghai) Co., Ltd
Building A8, No. 38
Dongsheng Road
Pudong, Shanghai
China 201201
Phone: +86 21 60880320
Fax: +86 21 60880298

India

Apex Power Tools India
Private Limited
Gala No. 1, Plot No. 5
S. No. 234, 235 & 245
Indialand Global
Industrial Park
Taluka-Mulsi, Phase I
Hinjawadi, Pune 411057
Maharashtra, India
Phone: +91 020 66761111

Japan

Apex Tool Group Japan
Korin-Kaikan 5F,
3-6-23 Shibakoen, Minato-Ku,
Tokyo 105-0011, JAPAN
Phone: +81-3-6450-1840
Fax: +81-3-6450-1841

Korea

Apex Tool Group Korea
#1503, Hibrand Living Bldg.,
215 Yangjae-dong,
Seocho-gu, Seoul 137-924,
Korea
Phone: +82-2-2155-0250
Fax: +82-2-2155-0252

Apex Tool Group, LLC

1000 Lufkin Road
Apex, NC 27539
Phone: +1 (919) 387-0099
Fax: +1 (919) 387-2614
www.apexpowertools.com

DOTCO®