

If you have questions or comments, contact us.
 Pour toute question ou tout commentaire, nous contacter.
 Si tiene dudas o comentarios, contáctenos.

1-800-4-DEWALT • www.dewalt.com

INSTRUCTIVO DE OPERACIÓN, CENTROS DE SERVICIO Y
 POLIZA DE GARANTÍA. **ADVERTENCIA:** LEASE ESTE
 INSTRUCTIVO ANTES DE USAR EL PRODUCTO.

INSTRUCTION MANUAL
 GUIDE D'UTILISATION
 MANUAL DE INSTRUCCIONES

DEWALT®

DWE1014
 Rotary Drills
 Perforatrices rotatives
 Taladros

DEWALT Industrial Tool Co., 701 East Joppa Road, Baltimore, MD 21286
 (JUN12) Part No. N179478 DWE1014 Copyright © 2012 DEWALT

The following are trademarks for one or more DEWALT power tools: the yellow and black color scheme, the "D" shaped air intake grill, the array of pyramids on the handgrip, the kit box configuration, and the array of lozenge-shaped humps on the surface of the tool.

Definitions: Safety Guidelines

The definitions below describe the level of severity for each signal word. Please read the manual and pay attention to these symbols.

▲ DANGER: Indicates an imminently hazardous situation which, if not avoided, **will** result in **death or serious injury**.

▲ WARNING: Indicates a potentially hazardous situation which, if not avoided, **could** result in **death or serious injury**.

▲ CAUTION: Indicates a potentially hazardous situation which, if not avoided, **may** result in **minor or moderate injury**.

NOTICE: Indicates a practice **not related to personal injury** which, if not avoided, **may** result in **property damage**.

IF YOU HAVE ANY QUESTIONS OR COMMENTS ABOUT THIS OR ANY DEWALT TOOL, CALL US TOLL FREE AT: **1-800-4-DEWALT (1-800-433-9258)**.

WARNING: To reduce the risk of injury, read the instruction manual.

General Power Tool Safety Warnings

WARNING! Read all safety warnings and all instructions. Failure to follow the warnings and instructions may result in electric shock, fire and/or serious injury.

SAVE ALL WARNINGS AND INSTRUCTIONS FOR FUTURE REFERENCE

The term "power tool" in the warnings refers to your mains-operated (corded) power tool or battery-operated (cordless) power tool.

1) WORK AREA SAFETY

- Keep work area clean and well lit.** Cluttered or dark areas invite accidents.
- Do not operate power tools in explosive atmospheres, such as in the presence of flammable liquids, gases or dust.** Power tools create sparks which may ignite the dust or fumes.
- Keep children and bystanders away while operating a power tool.** Distractions can cause you to lose control.

2) ELECTRICAL SAFETY

- Power tool plugs must match the outlet. Never modify the plug in any way. Do not use any adapter plugs with earthed (grounded) power tools.** Unmodified plugs and matching outlets will reduce risk of electric shock.
- Avoid body contact with earthed or grounded surfaces such as pipes, radiators, ranges and refrigerators.** There is an increased risk of electric shock if your body is earthed or grounded.
- Do not expose power tools to rain or wet conditions.** Water entering a power tool will increase the risk of electric shock.
- Do not abuse the cord. Never use the cord for carrying, pulling or unplugging the power tool. Keep cord away from heat, oil, sharp edges or moving parts.** Damaged or entangled cords increase the risk of electric shock.
- When operating a power tool outdoors, use an extension cord suitable for outdoor use.** Use of a cord suitable for outdoor use reduces the risk of electric shock.
- If operating a power tool in a damp location is unavoidable, use a ground fault circuit interrupter (GFCI) protected supply.** Use of a GFCI reduces the risk of electric shock.

3) PERSONAL SAFETY

- Stay alert, watch what you are doing and use common sense when operating a power tool. Do not use a power tool while you are tired or under the influence of drugs, alcohol or medication.** A moment of inattention while operating power tools may result in serious personal injury.
- Use personal protective equipment. Always wear eye protection.** Protective equipment such as dust mask, non-skid safety shoes, hard hat, or hearing protection used for appropriate conditions will reduce personal injuries.

- Prevent unintentional starting. Ensure the switch is in the off position before connecting to power source and/or battery pack, picking up or carrying the tool.** Carrying power tools with your finger on the switch or energizing power tools that have the switch on invites accidents.
- Remove any adjusting key or wrench before turning the power tool on.** A wrench or a key left attached to a rotating part of the power tool may result in personal injury.
- Do not overreach. Keep proper footing and balance at all times.** This enables better control of the power tool in unexpected situations.
- Dress properly. Do not wear loose clothing or jewelry. Keep your hair, clothing and gloves away from moving parts.** Loose clothes, jewelry or long hair can be caught in moving parts.
- If devices are provided for the connection of dust extraction and collection facilities, ensure these are connected and properly used.** Use of dust collection can reduce dust-related hazards.

4) POWER TOOL USE AND CARE

- Do not force the power tool. Use the correct power tool for your application.** The correct power tool will do the job better and safer at the rate for which it was designed.
- Do not use the power tool if the switch does not turn it on and off.** Any power tool that cannot be controlled with the switch is dangerous and must be repaired.
- Disconnect the plug from the power source and/or the battery pack from the power tool before making any adjustments, changing accessories, or storing power tools.** Such preventive safety measures reduce the risk of starting the power tool accidentally.
- Store idle power tools out of the reach of children and do not allow persons unfamiliar with the power tool or these instructions to operate the power tool.** Power tools are dangerous in the hands of untrained users.
- Maintain power tools. Check for misalignment or binding of moving parts, breakage of parts and any other condition that may affect the power tool's operation. If damaged, have the power tool repaired before use.** Many accidents are caused by poorly maintained power tools.
- Keep cutting tools sharp and clean.** Properly maintained cutting tools with sharp cutting edges are less likely to bind and are easier to control.
- Use the power tool, accessories and tool bits, etc. in accordance with these instructions, taking into account the working conditions and the work to be performed.** Use of the power tool for operations different from those intended could result in a hazardous situation.

5) SERVICE

- Have your power tool serviced by a qualified repair person using only identical replacement parts.** This will ensure that the safety of the power tool is maintained.

Additional Safety Rules for Drills

- Use auxiliary handle(s), if supplied with the tool.** Loss of control can cause personal injury.
- Hold power tool by insulated gripping surfaces, when performing an operation where the cutting accessory may contact hidden wiring or its own cord.** Cutting accessory contacting a "live" wire may make exposed metal parts of the power tool "live" and could give the operator an electric shock.
- Wear ear protectors.** Exposure to noise can cause hearing loss.
- Use clamps or other practical way to secure and support the workpiece to a stable platform.** Holding the work by hand or against your body is unstable and may lead to loss of control.
- Wear safety goggles or other eye protection.** Drilling operations cause chips to fly. Flying particles can cause permanent eye damage.
- Bits and tools get hot during operation.** Wear gloves when touching them.
- Keep handles dry, clean, free from oil and grease. it is recommended to use rubber gloves.** This will enable better control of the tool.
- Air vents often cover moving parts and should be avoided.** Loose clothes, jewelry or long hair can be caught in moving parts.
- An extension cord must have adequate wire size (AWG or American Wire Gauge) for safety.** The smaller the gauge number of the wire, the greater the capacity of the cable, that is 16 gauge has more capacity than 18 gauge. An undersized cord will cause a drop in line voltage resulting in loss of power and overheating. When using more than one extension to make up the total length, be sure each individual extension contains at least the minimum wire size. The following table shows the correct size to use depending on cord length and nameplate ampere rating. If in doubt, use the next heavier gauge. The smaller the gauge number, the heavier the cord.

Ampere Rating		Minimum Gauge for Cord Sets				
		Volts	Total Length of Cord in Feet (meters)			
More Than	Not More Than	120V	25 (7.6)	50 (15.2)	100 (30.5)	150 (45.7)
		240V	50 (15.2)	100 (30.5)	200 (61.0)	300 (91.4)
		AWG				
0	6		18	16	16	14
6	10		18	16	14	12
10	12		16	16	14	12
12	16		14	12	Not Recommended	

▲ WARNING: ALWAYS use safety glasses. Everyday eyeglasses are NOT safety glasses. Also use face or dust mask if cutting operation is dusty. ALWAYS WEAR CERTIFIED SAFETY EQUIPMENT:

- ANSI Z87.1 eye protection (CAN/CSA Z94.3),
- ANSI S12.6 (S3.19) hearing protection,
- NIOSH/OSHA/MSHA respiratory protection.

▲ WARNING: Some dust created by power sanding, sawing, grinding, drilling, and other construction activities contains chemicals known to the State of California to cause cancer, birth defects or other reproductive harm. Some examples of these chemicals are:

- lead from lead-based paints,
- crystalline silica from bricks and cement and other masonry products, and
- arsenic and chromium from chemically-treated lumber.

Your risk from these exposures varies, depending on how often you do this type of work. To reduce your exposure to these chemicals: work in a well ventilated area, and work with approved safety equipment, such as those dust masks that are specially designed to filter out microscopic particles.

- Avoid prolonged contact with dust from power sanding, sawing, grinding, drilling, and other construction activities. Wear protective clothing and wash exposed areas with soap and water.** Allowing dust to get into your mouth, eyes, or lay on the skin may promote absorption of harmful chemicals.

▲ WARNING: Use of this tool can generate and/or disperse dust, which may cause serious and permanent respiratory or other injury. Always use NIOSH/OSHA approved respiratory protection appropriate for the dust exposure. Direct particles away from face and body.

▲ WARNING: Always wear proper personal hearing protection that conforms to ANSI S12.6 (S3.19) during use. Under some conditions and duration of use, noise from this product may contribute to hearing loss.

- The label on your tool may include the following symbols. The symbols and their definitions are as follows:

V..... volts	A..... amperes
Hz..... hertz	W..... watts
min..... minutes	~ alternating current
== direct current	⌚ alternating or direct current
Ⓛ..... Class I Construction (grounded)	n _o no load speed
Ⓜ..... Class II Construction (double insulated)	n rated speed
.../min per minute	Ⓧ earthing terminal
IPM..... impacts per minute	▲ safety alert symbol
SPM..... strokes per minute	BPM..... beats per minute
	RPM..... revolutions per minute
	sfpm..... surface feet per minute

SAVE THESE INSTRUCTIONS FOR FUTURE USE

Motor

Be sure your power supply agrees with the nameplate marking. Voltage decrease of more than 10% will cause loss of power and overheating. DeWALT tools are factory tested; if this tool does not operate, check power supply.

COMPONENTS (Fig. 1)

⚠ WARNING: Never modify the power tool or any part of it. Damage or personal injury could result.

- | | |
|----------------------------------|-----------------------------------|
| A. Variable speed trigger switch | E. Cord protector with key holder |
| B. Lock-on button | F. Cord set |
| C. Forward/reverse button | G. Main handle |
| D. Chuck | |

INTENDED USE

This heavy-duty V.S.R. drill is designed for professional drilling.

DO NOT use under wet conditions or in presence of flammable liquids or gases.

These heavy-duty drills are professional power tools.

DO NOT let children come into contact with the tool. Supervision is required when inexperienced operators use this tool.

ASSEMBLY AND ADJUSTMENTS

⚠ WARNING: To reduce the risk of injury, turn unit off and disconnect it from power source before installing and removing accessories, before adjusting or when making repairs. An accidental start-up can cause injury.

Forward/Reverse Lever (Fig. 1)

The forward/reverse lever (C) is used for withdrawing bits from tight holes and removing screws. It is located above the trigger switch.

To reverse the motor, release the trigger switch FIRST and then push the lever to the right (viewed when holding the drill in the operating position).

After any reversing operations, return lever to forward position.

OPERATION

⚠ WARNING: To reduce the risk of injury, turn unit off and disconnect it from power source before installing and removing accessories, before adjusting or when making repairs. An accidental start-up can cause injury.

⚠ WARNING: To reduce the risk of personal injury, ALWAYS ensure workpiece is anchored or clamped firmly. If drilling thin material, use a wood "back-up" block to prevent damage to the material.

⚠ WARNING: Do not attempt to tighten or loosen drill bits (or any other accessory) by gripping the front part of the chuck and turning the tool on. Damage to the chuck and personal injury may occur.

Trigger Switch (Fig. 1)

To start the drill, depress the trigger switch; to stop the drill, release the trigger switch.

NOTE: Use lower speeds for starting holes without a center punch, drilling in metal or plastics, driving screws or drilling ceramics. Higher speeds are better for drilling wood and composition boards and using abrasive and polishing accessories.

VARIABLE SPEED

A variable speed trigger switch (A) permits speed control—the farther the trigger is depressed, the higher the speed of the drill.

For continuous operation, depress fully and hold the variable speed trigger switch, press the lock-on button (B) in, then release the switch.

Do not lock the switch on when drilling by hand so that you can instantly release the trigger switch if the bit binds in the hole.

The lock-on button (B) is for use only when the drill is mounted in a drill press stand or otherwise held stationary.

To stop continuous operation, press the switch briefly and release it. Always switch the tool off when work is finished and before unplugging.

Proper Hand Position (Fig. 1, 2)

⚠ WARNING: To reduce the risk of serious personal injury, ALWAYS use proper hand position as shown in Figure 2.

⚠ WARNING: To reduce the risk of serious personal injury, ALWAYS hold securely in anticipation of a sudden reaction.

Proper hand position requires one hand under the the housing, with the other hand on the main handle (G).

Drilling

⚠ WARNING: To reduce the risk of personal injury, ALWAYS ensure workpiece is anchored or clamped firmly. If drilling thin material, use a wood "back-up" block to prevent damage to the material.

- Use sharp drill bits only. For WOOD, use twist drill bits, spade bits, power auger bits, or hole saws. For METAL, use steel twist drill bits or hole saws.
- Always apply pressure in a straight line with the bit. Use enough pressure to keep drill biting, but do not push hard enough to stall the motor or deflect the bit.
- Hold tool firmly with both hands to control the twisting action of the drill.
- IF DRILL STALLS**, it is usually because it is being overloaded or improperly used. **RELEASE TRIGGER IMMEDIATELY**, remove drill bit from work, and determine cause of stalling. **DO NOT CLICK TRIGGER ON AND OFF IN AN ATTEMPT TO START A STALLED DRILL — THIS CAN DAMAGE THE DRILL.**
- To minimize stalling or breaking through the material, reduce pressure on drill and ease the bit through the last fractional part of the hole.
- Keep the motor running when pulling the bit back out of a drilled hole. This will help prevent jamming.
- With variable speed drills there is no need to center punch the point to be drilled. Use a slow speed to start the hole and accelerate by squeezing the trigger harder when the hole is deep enough to drill without the bit skipping out.

DRILLING IN METAL

Start drilling with slow speed and increase to full power while applying firm pressure on the tool. A smooth even flow of metal chips indicates the proper drilling rate. Use a cutting lubricant when drilling metals. The exceptions are cast iron and brass which should be drilled dry.

NOTE: Large [5/16" (8 mm) to 1/2" (13 mm)] holes in steel can be made easier if a pilot hole [5/32" (4 mm) to 3/16" (5 mm)] is drilled first.

DRILLING IN WOOD

Start drilling with slow speed and increase to full power while applying firm pressure on the tool. Holes in wood can be made with the same twist drills used for metal. These bits may overheat unless pulled out frequently to clear chips from the flutes. Work that is apt to splinter should be backed up with a block of wood.

Keyed Chuck (Fig. 1, 3, 4)

The DWE1014 features a keyed chuck (D).

TO INSERT A DRILL BIT OR OTHER ACCESSORY

- Open the chuck jaws by turning collar by hand and insert the shank of the bit about 19 mm (3/4") into chuck. Tighten the chuck collar by hand.
- Place chuck key in each of the three holes, and tighten in clockwise direction. It's important to tighten chuck with all three holes.

To release the bit, turn the chuck counterclockwise in just one hole, then loosen the chuck by hand.

REMOVAL OF KEYED CHUCK (FIG. 3)

Tighten the chuck around the shorter end of a hex key. Using a soft hammer, strike the key sharply in the counterclockwise direction when viewed from the front of the tool. This will loosen the chuck so that it can be removed by hand.

FIG. 1

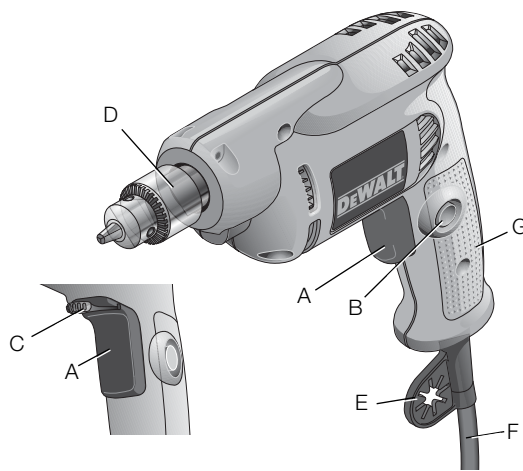


FIG. 2

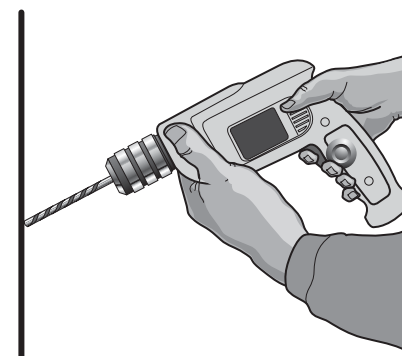


FIG. 3

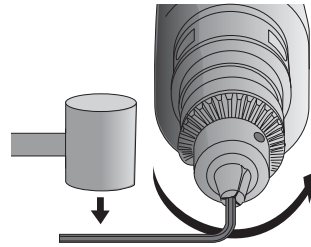
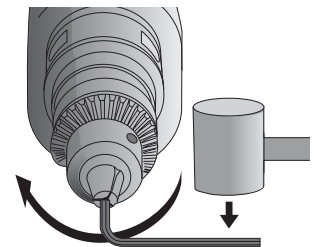


FIG. 4



KEYED CHUCK INSTALLATION (FIG. 4)

Screw the chuck on by hand as far as it will go. Insert the shorter end of a hex key and strike it in the clockwise direction with a soft hammer.

MAINTENANCE

⚠ WARNING: To reduce the risk of injury, turn unit off and disconnect it from power source before installing and removing accessories, before adjusting or when making repairs. An accidental start-up can cause injury.

Cleaning

⚠ WARNING: Blow dirt and dust out of all air vents with clean, dry air at least once a week. To minimize the risk of eye injury, always wear ANSI Z87.1 approved eye protection when performing this.

⚠ WARNING: Never use solvents or other harsh chemicals for cleaning the non-metallic parts of the tool. These chemicals may weaken the plastic materials used in these parts. Use a cloth dampened only with water and mild soap. Never let any liquid get inside the tool; never immerse any part of the tool into a liquid.

Motor Brushes

DeWALT uses an advanced brush system which automatically stops the drill when the brushes wear out. This prevents serious damage to the motor. New brush assemblies are available at authorized DeWALT service centers. Always use identical replacement parts.

Lubrication

Self-lubricating bearings are used in the tool and periodic relubrication is not required. In the unlikely event that service is ever needed, take your tool to an authorized service location.

Accessories

⚠ WARNING: Since accessories, other than those offered by DeWALT, have not been tested with this product, use of such accessories with this tool could be hazardous. To reduce the risk of injury, only DeWALT recommended accessories should be used with this product.

Recommended accessories for use with your tool are available at extra cost from your local dealer or authorized service center. If you need assistance in locating any accessory, please contact DeWALT Industrial Tool Co., 701 East Joppa Road, Baltimore, MD 21286, call 1-800-4-DeWALT (1-800-433-9258) or visit our website: www.dewalt.com.

⚠ CAUTION: To reduce the risk of injury, the following accessories should be used only in sizes up to the maximums shown in the table below.

MAXIMUM RECOMMENDED CAPACITIES	
DWE1014	
CHUCK CAPACITY	3/8" (10 mm)
BITS, METAL DRILLING	3/8" (10 mm)
WOOD, FLAT BORING	1" (25 mm)

Repairs

To assure product SAFETY and RELIABILITY, repairs, maintenance and adjustment (including brush inspection and replacement) should be performed by a DeWALT factory service center, a DeWALT authorized service center or other qualified service personnel. Always use identical replacement parts.

Three Year Limited Warranty

DeWALT will repair, without charge, any defects due to faulty materials or workmanship for three years from the date of purchase. This warranty does not cover part failure due to normal wear or tool abuse. For further detail of warranty coverage and warranty repair information, visit www.dewalt.com or call 1-800-4-DeWALT (1-800-433-9258). This warranty does not apply to accessories or damage caused where repairs have been made or attempted by others. This warranty gives you specific legal rights and you may have other rights which vary in certain states or provinces.

In addition to the warranty, DeWALT tools are covered by our:

1 YEAR FREE SERVICE

DeWALT will maintain the tool and replace worn parts caused by normal use, for free, any time during the first year after purchase.

90 DAY MONEY BACK GUARANTEE

If you are not completely satisfied with the performance of your DeWALT Power Tool, Laser, or Nailer for any reason, you can return it within 90 days from the date of purchase with a receipt for a full refund – no questions asked.

LATIN AMERICA: This warranty does not apply to products sold in Latin America. For products sold in Latin America, see country specific warranty information contained in the packaging, call the local company or see website for warranty information.

FREE WARNING LABEL REPLACEMENT: If your warning labels become illegible or are missing, call 1-800-4-DeWALT (1-800-433-9258) for a free replacement.



Définitions : lignes directrices en matière de sécurité

Les définitions ci-dessous décrivent le niveau de danger pour chaque mot-indicateur employé. Lire le mode d'emploi et porter une attention particulière à ces symboles.

▲ DANGER : indique une situation dangereuse imminente qui, si elle n'est pas évitée, entraînera la mort ou des blessures graves.

▲ AVERTISSEMENT : indique une situation potentiellement dangereuse qui, si elle n'est pas évitée, pourrait entraîner la mort ou des blessures graves.

▲ ATTENTION : indique une situation potentiellement dangereuse qui, si elle n'est pas évitée, pourrait entraîner des blessures légères ou modérées.

AVIS : indique une pratique ne posant aucun risque de dommages corporels mais qui par contre, si rien n'est fait pour l'éviter, pourrait poser des risques de dommages matériels.

POUR TOUTE QUESTION OU REMARQUE AU SUJET DE CET OUTIL OU DE TOUT AUTRE OUTIL DEWALT, COMPOSEZ LE NUMÉRO SANS FRAIS : 1-800-4-DEWALT (1-800-433-9258).



AVERTISSEMENT : afin de réduire le risque de blessures, lire le mode d'emploi de l'outil.

Avertissements de sécurité généraux pour les outils électriques



AVERTISSEMENT ! Lire tous les avertissements de sécurité et toutes les directives. Le non-respect des avertissements et des directives pourrait se solder par un choc électrique, un incendie et/ou une blessure grave.

CONSERVER TOUS LES AVERTISSEMENTS ET TOUTES LES DIRECTIVES POUR UN USAGE ULTÉRIEUR

Le terme « outil électrique » cité dans les avertissements se rapporte à votre outil électrique à alimentation sur secteur (avec fil) ou par piles (sans fil).

1) SÉCURITÉ DU LIEU DE TRAVAIL

- Tenir l'aire de travail propre et bien éclairée.** Les lieux encombrés ou sombres sont propices aux accidents.
- Ne pas faire fonctionner d'outils électriques dans un milieu déflagrant, tel qu'en présence de liquides, de gaz ou de poussières inflammables.** Les outils électriques produisent des étincelles qui pourraient enflammer la poussière ou les vapeurs.
- Éloigner les enfants et les personnes à proximité pendant l'utilisation d'un outil électrique.** Une distraction pourrait en faire perdre la maîtrise à l'utilisateur.

2) SÉCURITÉ EN MATIÈRE D'ÉLECTRICITÉ

- Les fiches des outils électriques doivent correspondre à la prise. Ne jamais modifier la fiche d'aucune façon. Ne jamais utiliser de fiche d'adaptation avec un outil électrique mis à la terre.** Le risque de choc électrique sera réduit par l'utilisation de fiches non modifiées correspondant à la prise.
- Éviter tout contact physique avec des surfaces mises à la terre comme des tuyaux, des radiateurs, des cuisinières et des réfrigérateurs.** Le risque de choc électrique est plus élevé si votre corps est mis à la terre.
- Ne pas exposer les outils électriques à la pluie ou à l'humidité.** La pénétration de l'eau dans un outil électrique augmente le risque de choc électrique.
- Ne pas utiliser le cordon de façon abusive. Ne jamais utiliser le cordon pour transporter, tirer ou débrancher un outil électrique. Tenir le cordon éloigné de la chaleur, de l'huile, des bords tranchants et des pièces mobiles.** Les cordons endommagés ou enchevêtrés augmentent les risques de choc électrique.
- Pour l'utilisation d'un outil électrique à l'extérieur, se servir d'une rallonge convenant à cette application.** L'utilisation d'une rallonge conçue pour l'extérieur réduira les risques de choc électrique.
- S'il est impossible d'éviter l'utilisation d'un outil électrique dans un endroit humide, brancher l'outil dans une prise ou sur un circuit d'alimentation dotés d'un disjoncteur de fuite à la terre (GFCI).** L'utilisation de ce type de disjoncteur réduit les risques de choc électrique.

3) SÉCURITÉ PERSONNELLE

- Être vigilant, surveiller le travail effectué et faire preuve de jugement lorsqu'un outil électrique est utilisé. Ne pas utiliser d'outil électrique en cas de fatigue ou sous l'influence de drogues, d'alcool ou de médicaments.** Un simple moment d'inattention en utilisant un outil électrique peut entraîner des blessures corporelles graves.
- Utiliser des équipements de protection individuelle. Toujours porter une protection oculaire.** L'utilisation d'équipements de protection comme un masque antipoussière, des chaussures antidérapantes, un casque de sécurité ou des protecteurs auditifs lorsque la situation le requiert réduira les risques de blessures corporelles.
- Empêcher les démarrages intempestifs. S'assurer que l'interrupteur se trouve à la position d'arrêt avant de relier l'outil à une source d'alimentation et/ou d'insérer un bloc-piles, de ramasser ou de transporter l'outil.** Transporter un outil électrique alors que le doigt repose sur l'interrupteur ou brancher un outil électrique dont l'interrupteur est à la position de marche risque de provoquer un accident.
- Retirer toute clé de réglage ou clé avant de démarrer l'outil.** Une clé ou une clé de réglage attachée à une partie pivotante de l'outil électrique peut provoquer des blessures corporelles.
- Ne pas trop tendre les bras. Conserver son équilibre en tout temps.** Cela permet de mieux maîtriser l'outil électrique dans les situations imprévues.
- S'habiller de manière appropriée. Ne pas porter de vêtements amples ni de bijoux. Garder les cheveux, les vêtements et les gants à l'écart des pièces mobiles.** Les vêtements amples, les bijoux ou les cheveux longs risquent de rester coincés dans les pièces mobiles.
- Si des composants sont fournis pour le raccordement de dispositifs de dépoussiérage et de ramassage, s'assurer que ceux-ci sont bien raccordés et utilisés.** L'utilisation d'un dispositif de dépoussiérage peut réduire les dangers engendrés par les poussières.

4) UTILISATION ET ENTRETIEN D'UN OUTIL ÉLECTRIQUE

- Ne pas forcer un outil électrique. Utiliser l'outil électrique approprié à l'application.** L'outil électrique approprié effectuera un meilleur travail, de façon plus sûre et à la vitesse pour laquelle il a été conçu.
- Ne pas utiliser un outil électrique dont l'interrupteur est défectueux.** Tout outil électrique dont l'interrupteur est défectueux est dangereux et doit être réparé.
- Débrancher la fiche de la source d'alimentation et/ou du bloc-piles de l'outil électrique avant de faire tout réglage ou changement d'accessoire ou avant de ranger l'outil.** Ces mesures préventives réduisent les risques de démarrage accidentel de l'outil électrique.
- Ranger les outils électriques hors de la portée des enfants et ne permettre à aucune personne n'étant pas familière avec un outil électrique ou son mode d'emploi d'utiliser cet outil.** Les outils électriques deviennent dangereux entre les mains d'utilisateurs inexpérimentés.
- Entretien des outils électriques. Vérifier si les pièces mobiles sont mal alignées ou coincées, si des pièces sont brisées ou présentent toute autre condition susceptible de nuire au bon fonctionnement de l'outil électrique. En cas de dommage, faire réparer l'outil électrique avant toute nouvelle utilisation.** Beaucoup d'accidents sont causés par des outils électriques mal entretenus.
- S'assurer que les outils de coupe sont aiguisés et propres.** Les outils de coupe bien entretenus et affûtés sont moins susceptibles de se coincer et sont plus faciles à maîtriser.
- Utiliser l'outil électrique, les accessoires, les forets, etc. conformément aux présentes directives en tenant compte des conditions de travail et du travail à effectuer.** L'utilisation d'un outil électrique pour toute opération autre que celle pour laquelle il a été conçu est dangereuse.

5) RÉPARATION

- Faire réparer l'outil électrique par un réparateur professionnel en n'utilisant que des pièces de rechange identiques.** Cela permettra de maintenir une utilisation sécuritaire de l'outil électrique.

Règles de sécurité additionnelles propres aux perforatrices

- Utiliser la/les poignée(s) auxiliaire(s) si fournie(s) avec l'outil.** Une perte de contrôle de l'outil pourrait occasionner des dommages corporels.
- Tenir l'outil électrique par les surfaces isolées prévues à cet effet pendant toute utilisation où l'organe de coupe pourrait entrer en contact avec des fils électriques cachés ou son propre cordon.** Tout contact de l'organe de coupe avec un fil sous tension mettra les parties métalliques exposées de l'outil sous tension et électrocutera l'utilisateur.
- Porter un dispositif de protection auditif.** Le bruit en émanant pourrait occasionner une perte de l'acuité auditive.
- Utiliser des serre-joints ou tout autre moyen pour fixer et immobiliser le matériau sur une surface stable.** Tenir la pièce à la main ou contre son corps offre une stabilité insuffisante qui pourrait vous en faire perdre le contrôle.
- Porter des lunettes de protection ou toute autre protection oculaire.** Le perçage pourrait faire voltiger des éclats. Des particules volantes pourraient occasionner des dommages oculaires permanents.
- Les mèches et l'outil peuvent devenir brûlants au toucher pendant l'utilisation.** Porter des gants avant tout contact.
- Maintenir les poignées propres et sèches, exempts d'huile ou de graisse. Il est recommandé d'utiliser des gants en caoutchouc.** Cela permettra un meilleur contrôle de l'outil.
- Prendre des précautions à proximité des événements, car ils cachent des pièces mobiles.** Vêtements amples, bijoux ou cheveux longs risquent de rester coincés dans ces pièces mobiles.
- Pour la sécurité de l'utilisateur, utiliser une rallonge de calibre adéquat (AWG, American Wire Gauge [calibrage américain normalisé des fils électriques]).** Plus le calibre est petit, et plus sa capacité est grande. Un calibre 16, par exemple, a une capacité supérieure à un calibre 18. L'usage d'une rallonge de calibre insuffisant causera une chute de tension qui entraînera une perte de puissance et surchauffe. Si plus d'une rallonge est utilisée pour obtenir une certaine longueur, s'assurer que chaque rallonge présente au moins le calibre de fil minimum. Le tableau ci-dessous illustre les calibres à utiliser selon la longueur de rallonge et l'intensité nominale indiquée sur la plaque signalétique. En cas de doute, utiliser le calibre suivant. Plus le calibre est petit, plus la rallonge peut supporter de courant.

Calibres minimaux des rallonges						
Intensité (en ampères)		Longueur totale de cordon en mètres (pieds)				
		volts	7,6 (25)	15,2 (50)	30,5 (100)	45,7 (150)
		120 V	7,6 (25)	15,2 (50)	30,5 (100)	45,7 (150)
		240 V	15,2 (50)	30,5 (100)	61,0 (200)	91,4 (300)
Supérieur à	Inférieur à	AWG				
0	6		18	16	16	14
6	10		18	16	14	12
10	12		16	16	14	12
12	16		14	12	Non recommandé	

▲ AVERTISSEMENT : porter **SYSTEMATIQUÉMENT** des lunettes de protection. Les lunettes courantes NE sont PAS des lunettes de protection. Utiliser aussi un masque antipoussières si la découpe doit en produire beaucoup. PORTER SYSTEMATIQUÉMENT UN ÉQUIPEMENT DE SÉCURITÉ HOMOLOGUÉ :

- Protection oculaire ANSI Z87.1 (CAN/CSA Z94.3) ;
- Protection auditive ANSI S12.6 (S3.19) ;
- Protection des voies respiratoires NIOSH/OSHA/MSHA.

▲ AVERTISSEMENT : les scies, meules, ponceuses, perceuses ou autres outils de construction peuvent produire des poussières contenant des produits chimiques reconnus par l'État californien pour causer cancers, malformations congénitales ou être nocifs au système reproducteur. Parmi ces produits chimiques, on retrouve :

- Le plomb dans les peintures à base de plomb ;
- La silice cristallisée dans les briques et le ciment, ou autres produits de maçonnerie ; et
- L'arsenic et le chrome dans le bois ayant subi un traitement chimique.

Le risque associé à de telles expositions varie selon la fréquence à laquelle on effectue ces travaux. Pour réduire toute exposition à ces produits : travailler dans un endroit bien aéré, en utilisant du matériel de sécurité homologué, tel un masque antipoussières spécialement conçu pour filtrer les particules microscopiques.

- Limiter toute exposition prolongée avec les poussières provenant du ponçage, sciage, meulage, perçage ou toute autre activité de construction. Porter des vêtements de protection et nettoyer à l'eau savonneuse les parties du corps exposées.** Le fait de laisser la poussière pénétrer dans la bouche, les yeux ou la peau peut favoriser l'absorption de produits chimiques dangereux.

▲ AVERTISSEMENT : cet outil peut produire et/ou répandre de la poussière susceptible de causer des dommages sérieux et permanents au système respiratoire. Utiliser systématiquement un appareil de protection des voies respiratoires homologué par le NIOSH ou l'OSHA. Diriger les particules dans le sens opposé au visage et au corps.

▲ AVERTISSEMENT : pendant l'utilisation, porter systématiquement une protection auditive individuelle adéquate homologuée ANSI S12.6 (S3.19). Sous certaines conditions et suivant la durée d'utilisation, le bruit émanant de ce produit pourrait contribuer à une perte de l'acuité auditive.

- L'étiquette apposée sur votre outil peut inclure les symboles suivants. Les symboles et leur définition sont indiqués ci-après :

V.....volts	A.....ampères
Hz.....hertz	W.....watts
min.....minutes	~courant alternatif
==courant continu	~courant alternatif ou continu
Ⓛclasse I fabrication (mis à la terre)	n ₀vitesse à vide
Ⓜfabrication classe II (double isolation)	n.....vitesse nominale
.../minpar minute	⊕borne de terre
IPM.....impacts par minute	▲.....symbole d'avertissement
sfpm.....pieds linéaires par minute (plpm)	BPM.....battements par minute
SPM (FPM).....fréquence par minute	r/min.....tours par minute

CONSERVER CES CONSIGNES POUR UTILISATION ULTÉRIEURE

Moteur

S'assurer que le bloc d'alimentation est compatible avec l'inscription de la plaque signalétique. Une diminution de tension de plus de 10 % provoquera une perte de puissance et une surchauffe. Les outils DEWALT sont testés en usine ; si cet outil ne fonctionne pas, vérifier l'alimentation électrique.

DESCRIPTION (Fig. 1)

▲ AVERTISSEMENT : ne jamais modifier l'outil électrique ni aucun de ses composants, car il y a des risques de dommages corporels ou matériels.

- | | |
|---|----------------------------------|
| A. Gâchette à vitesse variable | E. Protège cordon avec porte clé |
| B. Bouton de verrouillage en position de marche | F. Cordon amovible |
| C. Bouton de marche avant/arrière | G. Poignée principale |
| D. Mandrin | |

USAGE PRÉVU

Cette perforatrice V.S.R. industrielle a été conçue pour la perforation professionnelle.

NE PAS l'utiliser en milieu ambiant humide ou en présence de liquides ou de gaz inflammables. Ces perforatrices industrielles sont des outils de professionnels.

NE PAS les laisser à la portée des enfants. Une supervision est nécessaire auprès de tout utilisateur non expérimenté.

ASSEMBLAGE ET AJUSTEMENTS

▲ AVERTISSEMENT : pour réduire le risque de blessures, éteindre l'appareil et le débrancher avant d'installer ou de retirer tout accessoire et avant d'effectuer des réglages ou des réparations. Un démarrage accidentel peut provoquer des blessures.

Levier de marche avant/arrière (Fig. 1)

Le levier de marche avant/arrière (C) est utilisé pour retirer les mèches des trous étroits et pour dévisser les vis. Il est situé au-dessus de la gâchette.

Pour mettre le moteur en marche arrière, relâchez D'ABORD la gâchette puis poussez le levier vers la droite (vu alors que l'on tient la perforatrice en position de perçage). Après toute opération en marche arrière, retournez le levier dans sa position de marche avant.

UTILISATION

⚠️AVERTISSEMENT : pour réduire le risque de blessures, éteindre l'appareil et le débrancher avant d'installer ou de retirer tout accessoire et avant d'effectuer des réglages ou des réparations. Un démarrage accidentel peut provoquer des blessures.

⚠️AVERTISSEMENT : pour réduire tout risque de dommages corporels, utiliser **SYSTÉMATIQUEMENT** l'outil avec sa poignée latérale installée correctement. Tout manquement à cette directive pourrait faire que la poignée latérale glisse pendant l'utilisation de l'outil et entraîner la perte du contrôle de celui-ci. Maintenir l'outil fermement à deux mains pour un contrôle maximum.

⚠️AVERTISSEMENT : ne pas essayer de resserrer ou desserrer les mèches (ou tout autre accessoire) en agrippant la partie avant du mandrin tout en mettant l'outil en marche. Cela pourrait endommager le mandrin et poser des risques de dommages corporels.

Gâchette (Fig. 1)

Pour démarrer la perforatrice, appuyez sur la gâchette. Pour l'arrêter, relâchez la gâchette.

REMARQUE : utilisez une vitesse réduite pour commencer un trou sans pointeau, pour percer le métal ou les plastiques, enfoncer des vis ou percer la céramique. Les vitesses élevées sont recommandées pour percer le bois et les panneaux d'aggloméré, et pour utiliser des accessoires abrasifs ou de polissage.

VITESSE VARIABLE

La gâchette à vitesse variable (A) permet de contrôler la vitesse. Plus on appuie à fond sur la gâchette, plus la vitesse de la perceuse est élevée.

Pour un travail continu, appuyez à fond sur la gâchette à vitesse variable et maintenez-la ainsi, enfoncez le bouton de verrouillage en position de marche (B) puis relâchez l'interrupteur.

Ne verrouillez pas l'interrupteur en position de marche pour percer manuellement de façon à pouvoir relâcher instantanément la gâchette si la mèche venait à rester coincée dans le trou.

Le bouton de verrouillage (B) est utilisé seulement lorsque la perforatrice est montée sur un support de perceuse à colonne ou maintenue fixe par toute autre manière.

Pour arrêter le travail continu, appuyez brièvement sur l'interrupteur puis relâchez-le. Mettez systématiquement l'interrupteur en position d'arrêt une fois le travail terminé et avant de débrancher l'outil.

Position correcte des mains (Fig. 1, 2)

⚠️AVERTISSEMENT : pour réduire tout risque de dommages corporels graves, maintenir **SYSTÉMATIQUEMENT** l'outil en respectant la position des mains illustrée en figure 2.

⚠️AVERTISSEMENT : pour réduire tout risque de dommages corporels graves, maintenir **SYSTÉMATIQUEMENT** l'outil fermement pour anticiper toute réaction soudaine.

La position correcte des mains requiert une main sous le boîtier et l'autre sur la poignée principale (G).

Perçage

⚠️AVERTISSEMENT : pour réduire tout risque de dommages corporels, s'assurer **SYSTÉMATIQUEMENT** que la pièce est ancrée ou arrimée solidement. Pour percer des matériaux fins, utiliser un morceau de bois « de renfort » pour éviter de les endommager.

- Utilisez seulement des mèches bien affûtées. Pour le BOIS, utilisez : mèches hélicoïdales, forets à trois pointes, mèches torsadées ou emporte-pièce. Pour le MÉTAL, utilisez : mèches hélicoïdales en acier ou emporte-pièce.
- Appliquez systématiquement une certaine pression tout en restant dans l'axe de la mèche. Utilisez assez de pression pour que la perceuse avance, mais sans pousser excessivement pour éviter de bloquer le moteur ou dévier la mèche.
- Maintenez fermement l'outil à deux mains pour contrôler l'action de torsion de la perforatrice.
- SI LA PERFORATRICE SE BLOQUE**, c'est en général parce qu'elle est surchargée ou utilisée incorrectement. **RELÂCHEZ ALORS LA GÂCHETTE IMMÉDIATEMENT**, retirez la mèche de la pièce puis déterminez quelle est la cause du blocage. **N'APPUYEZ PAS RÉPÉTITIVEMENT SUR LA GÂCHETTE POUR TENTER DE REDÉMARRER UNE PERFORATRICE BLOQUÉE. CELA POURRAIT ENDOMMAGER LA PERFORATRICE.**
- Pour minimiser tout blocage ou rupture du matériau, réduisez la pression sur la perforatrice pour faciliter le passage de la mèche dans la partie finale du trou.
- Laissez le moteur en marche alors que vous retirez la mèche du trou pour éviter tout grippage.
- Les pointeaux sont inutiles lorsqu'on utilise une perforatrice à vitesse variable. Utilisez une vitesse réduite pour commencer un trou, puis accélérez en appuyant plus fort sur la gâchette lorsque le trou est assez profond pour que la mèche ne ressorte pas.

PERÇAGE DU MÉTAL

Commencez à percer à une vitesse réduite puis passez à pleine puissance tout en maintenant une pression ferme sur l'outil. Un jet fluide et régulier de débris métalliques sera indicateur d'une vitesse adéquate. Utilisez un lubrifiant de coupe pour percer les métaux, à l'exception de la fonte et du laiton qui doivent être percés à sec.

REMARQUE : les trous larges [de 8 mm (5/16 po) à 13 mm (1/2 po)] dans l'acier peuvent être facilités si l'on perce d'abord un trou pilote [de 4 mm (5/32 po) à 5 mm (3/16 po)].

PERÇAGE DU BOIS

Commencez à percer à une vitesse réduite puis passez à pleine puissance tout en maintenant une pression ferme sur l'outil. Les trous dans le bois peuvent être effectués avec les mêmes mèches hélicoïdales que pour le métal. Ces mèches peuvent surchauffer si on ne les retire pas fréquemment du trou pour éliminer les débris. Tout matériau risquant d'éclater doit être renforcé avec un morceau de bois.

Mandrin à clé (Fig. 1, 3, 4)

La DWE1014 est équipée d'un mandrin à clé (D).

POUR INSÉRER UNE MÈCHE OU TOUT AUTRE ACCESSOIRE

- Ouvrez les mâchoires du mandrin en faisant tourner la bague manuellement puis insérez-y la tige de la mèche sur une longueur d'environ 19 mm (3/4 po). Resserez le collier du mandrin manuellement.
- Insérez la clé de mandrin dans chacun des trois trous puis serrez vers la droite. Il est important de serrer le mandrin à l'aide des trois trous.

Pour libérer la mèche, faites tourner la clé du mandrin vers la gauche à l'aide d'un seul trou, puis desserrez le mandrin manuellement.

RETRAIT DU MANDRIN À CLÉ (Fig. 3)

Resserrez le mandrin sur l'extrémité la plus courte d'une clé hexagonale. Utilisez un marteau souple pour donner un coup sec sur la clé vers la gauche (vu depuis l'avant de l'outil). Cela desserrera le mandrin et permettra de le retirer manuellement.

INSTALLATION DU MANDRIN À CLÉ (Fig. 4)

Vissez à fond le mandrin manuellement. Insérez l'extrémité courte d'une clé hexagonale et, à l'aide d'un marteau souple, donnez un coup sec sur la clé vers la droite.

MAINTENANCE

⚠️AVERTISSEMENT : pour réduire le risque de blessures, éteindre l'appareil et le débrancher avant d'installer ou de retirer tout accessoire et avant d'effectuer des réglages ou des réparations. Un démarrage accidentel peut provoquer des blessures.

Nettoyage

⚠️AVERTISSEMENT : enlever les saletés et la poussière hors des événements au moyen d'air comprimé propre et sec, au moins une fois par semaine. Pour minimiser le risque de blessure aux yeux, toujours porter une protection oculaire conforme à la norme ANSI Z87.1 lors du nettoyage.

⚠️AVERTISSEMENT : ne jamais utiliser de solvants ni d'autres produits chimiques puissants pour nettoyer les pièces non métalliques de l'outil. Ces produits chimiques peuvent affaiblir les matériaux de plastique utilisés dans ces pièces. Utilisez un chiffon humecté uniquement d'eau et de savon doux. Ne jamais laisser de liquide pénétrer dans l'outil et n'immerger aucune partie de l'outil dans un liquide.

Balais de moteur

DeWALT utilise un système de balais qui immobilisent automatiquement la perceuse lorsqu'ils sont usés. Cela protège le moteur de tout dommage sérieux. Des modules de balai sont disponibles dans les centres de service agréés DeWALT. Utilisez systématiquement des pièces de rechange d'origine.

Lubrification

Des roulements autolubrifiants sont utilisés dans cet appareil et aucune lubrification périodique n'est nécessaire. Dans l'éventualité peu probable où une maintenance s'avérerait nécessaire, amenez l'outil dans un centre de réparation agréé.

Accessoires

⚠️AVERTISSEMENT : puisque les accessoires autres que ceux offerts par DeWALT n'ont pas été testés avec ce produit, leur utilisation pourrait s'avérer dangereuse. Pour réduire le risque de blessures, utiliser exclusivement les accessoires DeWALT recommandés avec le présent produit.

Les accessoires recommandés pour cet outil sont vendus séparément au centre de service de votre région. Pour obtenir de l'aide concernant l'achat d'un accessoire, communiquer avec DeWALT Industrial Tool Co., 701 East Joppa Road, Baltimore, MD 21286 aux États-Unis; composer le 1 800 433-9258 (1 800 4-DeWALT) ou visiter notre site Web : www.dewalt.com.

⚠️ATTENTION : pour réduire tout risque de dommages corporels, utiliser les accessoires suivants seulement dans les limites de capacité illustrées par le tableau ci-dessous.

CAPACITÉS MAXIMALES RECOMMANDÉES	
DWE1014	
CAPACITÉ DE MANDRIN	10 mm (3/8 po)
MÈCHES, PERÇAGE DU MÉTAL	10 mm (3/8 po)
BOIS, ALÉSAGE PLAT	25 mm (1 po)

Réparations

Pour assurer la SÉCURITÉ et la FIABILITÉ du produit, les réparations, l'entretien et les réglages doivent être réalisés (cela comprend l'inspection et le remplacement du balai) par un centre de réparation en usine DeWALT, un centre de réparation agréé DeWALT ou par d'autres techniciens qualifiés. Toujours utiliser des pièces de rechange identiques.

Garantie limitée de trois ans

DeWALT réparera, sans frais, tout produit défectueux causé par un défaut de matériel ou de fabrication pour une période de trois ans à compter de la date d'achat. La présente garantie ne couvre pas les pièces dont la défectuosité a été causée par une usure normale ou l'usage abusif de l'outil. Pour obtenir de plus amples renseignements sur les pièces ou les réparations couvertes par la présente garantie, visiter le site www.dewalt.com ou composer le 1 800 433-9258 (1 800 4-DeWALT). Cette garantie ne s'applique pas aux accessoires et ne vise pas les dommages causés par des réparations effectuées par un tiers. Cette garantie confère des droits légaux particuliers à l'acheteur, mais celui-ci pourrait aussi bénéficier d'autres droits variant d'un état ou d'une province à l'autre.

En plus de la présente garantie, les outils DeWALT sont couverts par notre :

CONTRAT D'ENTRETIEN GRATUIT D'UN AN

DeWALT entretiendra l'outil et remplacera les pièces usées au cours d'une utilisation normale et ce, gratuitement, pendant une période d'un an à compter de la date d'achat.

GARANTIE DE REMBOURSEMENT DE 90 JOURS

Si l'acheteur n'est pas entièrement satisfait, pour quelque raison que ce soit, du rendement de l'outil électrique, du laser ou de la cloueuse DeWALT, celui-ci peut le retourner, accompagné d'un reçu, dans les 90 jours à compter de la date d'achat pour obtenir un remboursement intégral, sans aucun problème.

AMÉRIQUE LATINE : cette garantie ne s'applique aux produits vendus en Amérique latine. Pour ceux-ci, veuillez consulter les informations relatives à la garantie spécifique présente dans l'emballage, appeler l'entreprise locale ou consulter le site Web pour les informations relatives à cette garantie.

REMPLACEMENT GRATUIT DES ÉTIQUETTES D'AVERTISSEMENT : si les étiquettes d'avertissement deviennent illisibles ou sont manquantes, composer le 1 800 433-9258 (1 800 4-DeWALT) pour en obtenir le remplacement gratuit.



Definiciones: Normas de seguridad

Las siguientes definiciones describen el nivel de gravedad de cada palabra de señal. Lea el manual y preste atención a estos símbolos.

⚠️PELIGRO: indica una situación de peligro inminente que, si no se evita, provocará la muerte o lesiones graves.

⚠️ADVERTENCIA: indica una situación de peligro potencial que, si no se evita, podría provocar la muerte o lesiones graves.

⚠️ATENCIÓN: indica una situación de peligro potencial que, si no se evita, posiblemente provocaría lesiones leves o moderadas.

AVISO: se refiere a una práctica **no relacionada a lesiones corporales** que de no evitarse puede resultar en **daños a la propiedad**.

SI TIENE ALGUNA DUDA O ALGÚN COMENTARIO SOBRE ÉSTA U OTRA HERRAMIENTA DeWALT, LLÁMENOS AL NÚMERO GRATUITO: **1-800-4-DeWALT (1-800-433-9258)**.



ADVERTENCIA: Para reducir el riesgo de lesiones, lea el manual de instrucciones.

Advertencias generales de seguridad para herramientas eléctricas

⚠️ADVERTENCIA! Lea todas las advertencias de seguridad e instrucciones. El incumplimiento de las advertencias e instrucciones puede provocar descargas eléctricas, incendios o lesiones graves.

CONSERVE TODAS LAS ADVERTENCIAS E INSTRUCCIONES PARA FUTURAS CONSULTAS

El término "herramienta eléctrica" incluido en las advertencias hace referencia a las herramientas eléctricas operadas con corriente (con cable eléctrico) o a las herramientas eléctricas operadas con baterías (inalámbricas).

1) SEGURIDAD EN EL ÁREA DE TRABAJO

- Mantenga el área de trabajo limpia y bien iluminada.** Las áreas abarrotadas y oscuras propician accidentes.
- No opere las herramientas eléctricas en atmósferas explosivas, como ambientes donde haya polvo, gases o líquidos inflamables.** Las herramientas eléctricas originan chispas que pueden encender el polvo o los vapores.
- Mantenga alejados a los niños y a los espectadores de la herramienta eléctrica en funcionamiento.** Las distracciones pueden provocar la pérdida de control.

2) SEGURIDAD ELÉCTRICA

- Los enchufes de la herramienta eléctrica deben adaptarse al tomacorriente. Nunca modifique el enchufe de ninguna manera. No utilice ningún enchufe adaptador con herramientas eléctricas con conexión a tierra.** Los enchufes no modificados y que se adaptan a los tomacorrientes reducirán el riesgo de descarga eléctrica.
- Evite el contacto corporal con superficies con descargas a tierra como, por ejemplo, tuberías, radiadores, cocinas eléctricas y refrigeradores.** Existe mayor riesgo de descarga eléctrica si su cuerpo está puesto a tierra.
- No exponga las herramientas eléctricas a la lluvia o a condiciones de humedad.** Si entra agua a una herramienta eléctrica, aumentará el riesgo de descarga eléctrica.
- No maltrate el cable. Nunca utilice el cable para transportar, tirar o desenchar la herramienta eléctrica. Mantenga el cable alejado del calor, el aceite, los bordes filosos y las piezas móviles.** Los cables dañados o enredados aumentan el riesgo de descarga eléctrica.
- Al operar una herramienta eléctrica en el exterior, utilice un cable prolongador adecuado para tal uso.** Utilice un cable adecuado para uso en exteriores a fin de reducir el riesgo de descarga eléctrica.
- Si el uso de una herramienta eléctrica en un lugar húmedo es imposible de evitar, utilice un suministro protegido con un interruptor de circuito por falla a tierra (GFCI).** El uso de un GFCI reduce el riesgo de descargas eléctricas.

3) SEGURIDAD PERSONAL

- Permanezca alerta, controle lo que está haciendo y utilice el sentido común cuando emplee una herramienta eléctrica. No utilice una herramienta eléctrica si está cansado o bajo el efecto de drogas, alcohol o medicamentos.** Un momento de descuido mientras se opera una herramienta eléctrica puede provocar lesiones personales graves.
- Utilice equipos de protección personal. Siempre utilice protección para los ojos.** En las condiciones adecuadas, el uso de equipos de protección, como máscaras para polvo, calzado de seguridad antideslizante, cascos o protección auditiva, reducirá las lesiones personales.
- Evite el encendido por accidente. Asegúrese de que el interruptor esté en la posición de apagado antes de conectarlo a la fuente de energía o paquete de baterías, o antes de levantar o transportar la herramienta.** Transportar herramientas eléctricas con el dedo apoyado en el interruptor o enchufar herramientas eléctricas con el interruptor en la posición de encendido puede propiciar accidentes.
- Retire la clavija de ajuste o la llave de tuercas antes de encender la herramienta eléctrica.** Una llave de tuercas o una clavija de ajuste que quede conectada a una pieza giratoria de la herramienta eléctrica puede provocar lesiones personales.
- No se estire. Conserva el equilibrio y párese adecuadamente en todo momento.** Esto permite un mejor control de la herramienta eléctrica en situaciones inesperadas.
- Use la vestimenta adecuada. No use ropas holgadas ni joyas. Mantenga el cabello, la ropa y los guantes alejados de las piezas en movimiento.** Las ropas holgadas, las joyas o el cabello largo pueden quedar atrapados en las piezas en movimiento.
- Si se suministran dispositivos para la conexión de accesorios con fines de recolección y extracción de polvo, asegúrese de que estén conectados y que se utilicen correctamente.** El uso de dispositivos de recolección de polvo puede reducir los peligros relacionados con el polvo.

4) USO Y MANTENIMIENTO DE LA HERRAMIENTA ELÉCTRICA

- No fuerce la herramienta eléctrica. Utilice la herramienta eléctrica correcta para el trabajo que realizará.** Si se la utiliza a la velocidad para la que fue diseñada, la herramienta eléctrica correcta permite trabajar mejor y de manera más segura.
- No utilice la herramienta eléctrica si no puede encenderla o apagarla con el interruptor.** Toda herramienta eléctrica que no pueda ser controlada mediante el interruptor es peligrosa y debe repararse.
- Desconecte el enchufe de la fuente de energía o el paquete de baterías de la herramienta eléctrica antes de realizar ajustes, cambiar accesorios o almacenar la herramienta eléctrica.** Estas medidas de seguridad preventivas reducen el riesgo de encender la herramienta eléctrica en forma accidental.
- Guarde la herramienta eléctrica que no esté en uso fuera del alcance de los niños y no permita que otras personas no familiarizadas con ella o con estas instrucciones operen la herramienta.** Las herramientas eléctricas son peligrosas si son operadas por usuarios no capacitados.
- Realice el mantenimiento de las herramientas eléctricas. Revise que no haya piezas en movimiento mal alineadas o trabadas, piezas rotas o cualquier otra situación que pueda afectar el funcionamiento de la herramienta eléctrica. Si encuentra daños, haga reparar la herramienta eléctrica antes de utilizarla.** Si producen muchos accidentes a causa de las herramientas eléctricas que carecen de un mantenimiento adecuado.
- Mantenga las herramientas de corte afiladas y limpias.** Las herramientas de corte con mantenimiento adecuado y con los bordes de corte afilados son menos propensas a trabarse y son más fáciles de controlar.
- Utilice la herramienta eléctrica, los accesorios y las brocas de la herramienta, etc. de acuerdo con estas instrucciones y teniendo en cuenta las condiciones de trabajo y el trabajo que debe realizarse.** El uso de la herramienta eléctrica para operaciones diferentes de aquéllas para las que fue diseñada podría originar una situación peligrosa.

5) MANTENIMIENTO

- Solicite a una persona calificada en reparaciones que realice el mantenimiento de su herramienta eléctrica y que sólo utilice piezas de repuesto idénticas.** Esto garantizará la seguridad de la herramienta eléctrica.

Normas de seguridad adicionales para taladros

- Use lo(s) mango(s) auxiliar(es), si está(n) suministrado(s) con la herramienta.** La pérdida de control puede ocasionar lesión corporal.
- Sostenga la herramienta eléctrica sólo por sus superficies de empuñadura aisladas cuando realice una operación en la cual la herramienta para cortar pudiera entrar en contacto con instalaciones eléctricas ocultas o su propio cable.** Si la herramienta para cortar entra en contacto con un hilo eléctrico activo, se activarán asimismo las partes metálicas de la herramienta expuestas a la corriente, las que podrán descargarse en el operador.
- Utilice protectores auditivos.** La exposición a ruidos fuertes puede causar pérdida auditiva.
- Sostenga la herramienta eléctrica sólo por sus superficies de empuñadura aisladas cuando realice una operación en la cual la herramienta para cortar pudiera entrar en contacto con instalaciones eléctricas ocultas o con su propio cable.** Si la herramienta para cortar entra en contacto con un hilo eléctrico activo, se activarán asimismo las partes metálicas de la herramienta expuestas a la corriente, las que podrán descargarse en el operador.
- Use abrazaderas u otra manera práctica de fijar y sujetar la pieza de trabajo a una plataforma estable.** Sujetar la pieza con la mano o contra el cuerpo es inestable y resultará en que pierda el control.
- Lleve lentes de seguridad u otra protección ocular.** Durante la perforación pueden salir disparados pedazos de material. Las partículas despedidas pueden provocar lesiones irreversibles en los ojos.
- Las brocas y las herramientas se calientan durante la operación.** Utilice guantes para tocarlas.
- Mantenga las empuñaduras secas, limpias y libres de aceite y grasa. Se recomienda utilizar guantes de goma.** Esto permitirá un mejor control de la herramienta.
- Los orificios de ventilación suelen cubrir piezas en movimiento, por lo que también se deben evitar.** Las piezas en movimiento pueden atrapar prendas de vestir sueltas, joyas o el cabello largo.
- Los hilos del alargador deben ser de un calibre apropiado (AWG o American Wire Gauge) para su seguridad.** Mientras menor sea el calibre del hilo, mayor la capacidad del cable. Es decir, un hilo calibre 16 tiene mayor capacidad que uno de 18. Un cable de un calibre insuficiente causará una caída en la tensión de la línea dando por resultado una pérdida de energía y sobrecalentamiento. Cuando se utilice más de un alargador para completar el largo total, asegúrese que los hilos de cada alargador tengan el calibre mínimo.

La tabla siguiente muestra el tamaño correcto a utilizar, dependiendo de la longitud del cable y del amperaje nominal de la placa de identificación. Si tiene dudas sobre cuál calibre usar, use un calibre mayor. Cuanto más pequeño sea el número del calibre, más resistente será el cable.

Calibre mínimo para cables de alimentación					
Amperaje		Largo total del cordón en metros (pies)			
		Voltios		Largo total del cordón en metros (pies)	
		120 V	7,6 (25)	15,2 (50)	30,5 (100)
240 V	15,2 (50)	30,5 (100)	61,0 (200)	91,4 (300)	
Más de	No más de	AWG			
0	6	18	16	16	14
6	10	18	16	14	12
10	12	16	16	14	12
12	16	14	12	No recomendado	

▲ADVERTENCIA: Use **SIEMPRE** lentes de seguridad. Los anteojos de diario **NO SON** lentes de seguridad. Utilice además una cubrebocas o mascarilla antipolvo si la operación de corte genera demasiado polvo. **SIEMPRE LLEVE EQUIPO DE SEGURIDAD CERTIFICADO:**

- Protección ocular ANSI Z87.1 (CAN/CSA Z94.3),
- Protección auditiva ANSI S12.6 (S3.19),
- Protección respiratoria NIOSH/OSHA/MSHA.

▲ADVERTENCIA: Algunas partículas de polvo generadas al lijar, serrar, esmerilar y taladrar con herramientas eléctricas, así como al realizar otras actividades de construcción, contienen químicos que el Estado de California sabe que pueden producir cáncer, defectos congénitos u otras afecciones reproductivas. Ejemplos de estos químicos son:

- plomo de algunas pinturas en base a plomo,
- polvo de sílice proveniente de ladrillos y cemento y otros productos de albañilería, y
- arsénico y cromo provenientes de madera tratada químicamente.

Su riesgo de exposición a estos químicos varía, dependiendo de la frecuencia con la cual realiza usted este tipo de trabajo. Para reducir su exposición a estas sustancias químicas: trabaje en una zona bien ventilada y llevando equipos de seguridad aprobados, como mascarillas antipolvo especialmente diseñadas para filtrar partículas microscópicas.

- Evite el contacto prolongado con polvo generado por el lijado, aserrado, pulido, taladrado y otras actividades de construcción. Vista ropas protectoras y lave las áreas de la piel expuestas con agua y jabón.** Si permite que el polvo se introduzca en la boca u ojos o quede sobre la piel, puede favorecer la absorción de productos químicos peligrosos.

▲ADVERTENCIA: La utilización de esta herramienta puede generar polvo o dispersarlo, lo que podría causar daños graves y permanentes al sistema respiratorio, así como otras lesiones. Siempre use protección respiratoria aprobada por NIOSH (Instituto Nacional de Seguridad y Salud en el Trabajo) u OSHA (Administración de Seguridad y Salud en el Trabajo) apropiada para la exposición al polvo. Dirija las partículas en dirección contraria a la cara y el cuerpo.

▲ADVERTENCIA: Siempre lleve la debida protección auditiva personal en conformidad con ANSI S12.6 (S3.19) durante el uso de esta herramienta. Bajo algunas condiciones y duraciones de uso, el ruido producido por este producto puede contribuir a la pérdida auditiva.

- La etiqueta de su herramienta puede incluir los siguientes símbolos. A continuación se indican los símbolos y sus definiciones:

V..... voltios	A..... amperios
Hz..... hertz	W..... vatios
min minutos	~ corriente alterna
== corriente directa	∞ corriente alterna o directa
⚠..... Construcción de Clase I (tierra)	no velocidad sin carga
⚡..... Construcción de Clase II (doble aislamiento)	⊕ terminal de conexión a tierra
.../minpor minuto	▲..... símbolo de advertencia de seguridad
IPM..... impactos por minuto	BPM..... golpes por minuto
sfpmpies de superficie por minuto	RPM..... revoluciones por minuto

GUARDE ESTAS INSTRUCCIONES PARA FUTURAS CONSULTAS

Motor

Asegúrese de que la fuente de energía concuerde con lo que se indica en la placa. Un descenso en el voltaje de más del 10% producirá una pérdida de potencia y sobrecalentamiento. Todas las herramientas DEWALT son probadas en fábrica; si esta herramienta no funciona, verifique el suministro eléctrico.

COMPONENTES (Fig. 1)

▲ADVERTENCIA: Nunca modifique la herramienta eléctrica, ni tampoco ninguna de sus piezas. Podría producir lesiones corporales o daños.

- | | |
|---|---|
| A. Gatillo conmutador de velocidad variable | E. Protector de cable con sujeta llaves |
| B. Botón de bloqueo en encendido | F. Cable |
| C. Botón de avance y reversa | G. Mango principal |
| D. Mandril | |

USO DEBIDO

Este taladro para trabajo pesado V.S.R. está diseñado para operaciones de perforación industriales.

NO utilice la herramienta en condiciones húmedas o en la presencia de líquidos o gases inflamables.

Estos taladros industriales son herramientas eléctricas profesionales.

NO permita que un niño juegue con ellos. Si el operador no tiene experiencia operando esta herramienta, su uso deberá ser supervisado

MONTAJE Y AJUSTES

▲ADVERTENCIA: Para reducir el riesgo de lesiones personales graves, apague la herramienta y desconéctela de la fuente de alimentación antes de instalar y retirar accesorios, ajustar o cambiar configuraciones o realizar reparaciones. Un arranque accidental podría causar lesiones.

Palanca de avance y retroceso (Fig. 1)

La palanca de avance y retroceso (C) se utiliza para poder retirar la broca de orificios ajustados y para destornillar tornillos. Se ubica encima del gatillo conmutador.

Para invertir la dirección del motor, suelte PRIMERO el gatillo conmutador y luego empuje la palanca a la derecha (si sostiene el taladro en su posición de operación).

Luego de cualquier operación realizada en reversa, devuelva la palanca a su posición de avance.

OPERACIÓN

▲ADVERTENCIA: Para reducir el riesgo de lesiones personales graves, apague la herramienta y desconéctela de la fuente de alimentación antes de instalar y retirar accesorios, ajustar o cambiar configuraciones o realizar reparaciones. Un arranque accidental podría causar lesiones.

▲ADVERTENCIA: Para reducir el riesgo de lesiones corporales, **SIEMPRE** asegúrese de que la pieza de trabajo esté debidamente sujeta. Si va a perforar un material delgado, utilice un bloque de madera como “respaldo” para evitar dañarlo.

▲ADVERTENCIA: No intente ajustar o soltar las brocas (ni ningún otro accesorio) sujetando la parte frontal del mandril y encendiendo la herramienta. Esto podría dañar el mandril y causar lesiones corporales.

Gatillo conmutador (Fig. 1)

Para encender el taladro, presione el gatillo conmutador; para detener el taladro, suelte el gatillo conmutador.

NOTA: Utilice velocidades menores para iniciar orificios sin usar un punzón, taladrar en metal o plástico, atornillar tornillos o perforar cerámica. Las velocidades más altas sirven mejor para taladrar en madera y aglomerados, y para usar accesorios abrasivos y de pulido.

VELOCIDAD VARIABLE

El gatillo conmutador de velocidad variable (A) permite el control de la velocidad — mientras más se presione el gatillo, más rápido funcionará el taladro.

Para un funcionamiento continuo, apriete totalmente y mantenga apretado el gatillo conmutador de velocidad variable, apriete el botón de bloqueo en encendido (B) hacia adentro y luego suelte el conmutador.

No bloquee el conmutador en encendido cuando esté perforando manualmente para poder liberar el gatillo conmutador instantáneamente si la broca se atasca en el orificio.

Solamente se debe usar el botón de bloqueo en encendido (B) si el taladro se encuentra montado en una base de soporte vertical o de algún otro tipo.

Para detener el funcionamiento continuo del taladro, presione y libere brevemente el conmutador. Siempre apague la herramienta al terminar el trabajo y antes de desenchufarla.

Posición debida de las manos (Fig. 1, 2)

⚠ADVERTENCIA: Para reducir el riesgo de lesiones corporales graves, **SIEMPRE** coloque bien las manos, tal como se muestra en la Figura 2.

⚠ADVERTENCIA: Para reducir el riesgo de lesiones corporales graves, **SIEMPRE** debe de sujetar la herramienta correctamente para anticipar reacciones súbitas.

Mantenga una mano debajo del cuerpo de la herramienta y la otra sobre el mango principal (G) para sujetar la máquina correctamente.

Taladrado

⚠ADVERTENCIA: Para reducir el riesgo de lesiones corporales, SIEMPRE asegúrese de que la pieza de trabajo esté debidamente sujeta. Si va a perforar un material delgado, utilice un bloque de madera como “respaldo” para evitar dañarlo.

- Utilice exclusivamente brocas afiladas. Para MADERA, utilice brocas helicoidales, brocas de horquilla, brocas de berbiquí o brocas de sierra. Para METAL, utilice brocas helicoidales de acero o brocas de sierra.
- Siempre aplique presión al taladro en línea recta con la broca. Haga suficiente presión para que la broca siga perforando, pero no tanta como para que el motor se atasque o la broca se desvíe.
- Sujete el taladro firmemente con ambas manos para controlar la fuerza de torsión de la broca.
- SI EL TALADRO SE ATASCA**, esto probablemente se deberá a una sobrecarga o a un uso incorrecto. **SUELTE EL GATILLO DE INMEDIATO**, retire la broca de la pieza de trabajo y determine la causa del atascamiento. **NO APRIETE Y SUELTE REPETIDAMENTE EL GATILLO PARA INTENTAR DESATASCAR LA BROCA, YA QUE SE PODRÍA DAÑAR EL TALADRO.**
- Para evitar que se atasque el taladro o que atravesara el material, reduzca la presión y deje ir suavemente la broca hacia el final del orificio.
- Haga funcionar el motor al retirar la broca del interior del orificio. Esto evitará que se atasque.
- Con los taladros de velocidad variable no hay necesidad de hacer una marca de centrado con un punzón. Utilice una velocidad menor para comenzar el orificio y acelere, presionando más el gatillo, cuando el orificio tenga la profundidad suficiente para evitar que la broca se salga.

TALADRADO EN METAL

Inicie la perforación a baja velocidad y vaya aumentándola hasta la máxima potencia mientras aplica presión firme en la herramienta. Un flujo uniforme y suave de virutas indica que se taladra a la velocidad adecuada. Emplee un lubricante para corte cuando taladre en metales. Las excepciones son el hierro colado y el latón, que se deben taladrar en seco.

NOTA: Los orificios grandes en acero [de 8 mm (5/16 pulg.) a 13 mm (1/2 pulg.)] se pueden hacer con mayor facilidad si se taladra primero un orificio piloto [de 4 mm (5/32 pulg.) a 5 mm (3/16 pulg.)].

TALADRADO EN MADERA

Inicie la perforación a baja velocidad y vaya aumentándola hasta la máxima potencia mientras aplica presión firme en la herramienta. Se puede taladrar la madera con las mismas brocas helicoidales que se utilizan para el metal. Estas brocas pueden sobrecalentarse a menos que se saquen con frecuencia para limpiarlas de virutas. Los trabajos susceptibles de astillarse deben respaldarse con un bloque de madera.

Mandril con llave (Fig. 1, 3, 4)

El DWE1014 tiene un mandril con llave (D).

PARA INSERTAR UNA BROCA DE TALADRO U OTRO ACCESORIO

- Gire el collarín con la mano para abrir el mandril e inserte el vástago de la broca unos 19 mm (3/4 pulg.) en el mandril. Ajuste el collarín del mandril con la mano.
- Coloque la llave del mandril en cada uno de los tres orificios y ajuste en el sentido de las manillas del reloj. Es importante que ajuste el mandril con los tres orificios.

Para liberar la broca, gire el mandril en sentido contrario a las manillas del reloj valiéndose solamente de un orificio y afloje a continuación el mandril con la mano.

RETIRO DEL MANDRIL CON LLAVE (FIG. 3)

Ajuste el mandril entorno al extremo corto de una llave hexagonal. Con un martillo blando, déle a la llave un golpe preciso en dirección contraria a las manillas del reloj (vista desde el frente de la herramienta). De esta forma se soltará el mandril para poderse retirar con la mano.

INSTALACIÓN DEL MANDRIL CON LLAVE (FIG. 4)

Atornille el mandril con la mano lo más que pueda. Inserte el extremo más corto de una llave hexagonal y déle a la llave un golpe preciso en dirección de las manillas del reloj con un martillo blando.

MANTENIMIENTO

⚠ADVERTENCIA: Para reducir el riesgo de lesiones personales graves, **apague la herramienta y desconéctela de la fuente de alimentación antes de instalar y retirar accesorios, ajustar o cambiar configuraciones o realizar reparaciones.** Un arranque accidental podría causar lesiones.

Limpieza

⚠ADVERTENCIA: Sople la suciedad y el polvo de todos los conductos de ventilación con aire seco, al menos una vez por semana. Para reducir el riesgo de lesiones, utilice siempre protección para los ojos aprobada ANSI Z87.1 al realizar esta tarea.

⚠ADVERTENCIA: Nunca utilice solventes ni otros químicos abrasivos para limpiar las piezas no metálicas de la herramienta. Estos productos químicos pueden debilitar los materiales plásticos utilizados en estas piezas. Utilice un paño humedecido sólo con agua y jabón neutro. Nunca permita que penetre líquido dentro de la herramienta ni sumerja ninguna de las piezas en un líquido.

Cepillos del motor

DEWALT utiliza un sistema avanzado de cepillos que detendrán automáticamente el taladro cuando los cepillos se desgasten. Esto evita producir daños graves al motor. Podrá comprar nuevas unidades de cepillos en los centros de servicios DEWALT autorizados. Siempre utilice repuestos idénticos.

Lubricación

La herramienta incorpora cojinetes auto lubricantes, por lo que no requiere lubricación periódica. En el remoto caso de que su herramienta llegue a requerir servicio, llévela a un centro de servicio autorizado.

Accesorios

⚠ADVERTENCIA: Debido a que no se han probado con este producto otros accesorios que no sean los que ofrece DEWALT, el uso de dichos accesorios con esta herramienta podría ser peligroso. Para reducir el riesgo de lesiones, con este producto deben usarse sólo los accesorios recomendados por DEWALT.

Los accesorios que se recomiendan para utilizar con la herramienta están disponibles a un costo adicional en su distribuidor local o en un centro de mantenimiento autorizado. Si necesita ayuda para localizar algún accesorio, póngase en contacto con DEWALT Industrial Tool Co., 701 East Joppa Road, Baltimore, MD 21286, llame al 1-800-4-DEWALT (1-800-433-9258) o visite nuestro sitio Web: www.dewalt.com.

⚠ATENCIÓN: Para reducir el riesgo de lesiones, los siguientes accesorios deberían utilizarse sólo en los tamaños máximos que aparecen en la tabla de más abajo.

CAPACIDADES MÁXIMAS RECOMENDADAS	
DWE1014	
Mandril CAPACIDAD	10 mm (3/8 pulg.)
BROCAS, TALADRADO EN METALES	10 mm (3/8 pulg.)
MADERA, PERFORACIÓN EN PLANO	25 mm (1 pulg.)

Reparaciones

Para asegurar la SEGURIDAD y la CONFIABILIDAD del producto, las reparaciones, el mantenimiento y los ajustes deben (inclusive inspección y cambio de carbones) ser realizados en un centro de mantenimiento en la fábrica DEWALT, en un centro de mantenimiento autorizado DEWALT u por otro personal de mantenimiento calificado. Utilice siempre piezas de repuesto idénticas.

PARA REPARACIÓN Y SERVICIO DE SUS HERRAMIENTAS ELÉCTRICAS, FAVOR DE DIRIGIRSE AL CENTRO DE SERVICIO MÁS CERCANO

CULIACAN, SIN Blvd.Emiliano Zapata 5400-1 Poniente Col. San Rafael	(667) 717 89 99
GUADALAJARA, JAL Av. La Paz #1779 - Col. Americana Sector Juárez	(33) 3825 6978
MEXICO, D.F. Eje Central Lázaro Cárdenas No. 18 Local D, Col. Obrera	(55) 5588 9377
MERIDA, YUC Calle 63 #459-A - Col. Centro	(999) 928 5038
MONTERREY, N.L. Av. Francisco I. Madero 831 Poniente - Col. Centro	(818) 375 23 13
PUEBLA, PUE 17 Norte #205 - Col. Centro	(222) 246 3714
QUERETARO, QRO Av. San Roque 274 - Col. San Gregorio	(442) 2 17 63 14
SAN LUIS POTOSI, SLP Av. Universidad 1525 - Col. San Luis	(444) 814 2383
TORREON, COAH Blvd. Independencia, 96 Pte. - Col. Centro	(871) 716 5265
VERACRUZ, VER Prolongación Díaz Mirón #4280 - Col. Remes	(229) 921 7016
VILLAHERMOSA, TAB Constitución 516-A - Col. Centro	(993) 312 5111

PARA OTRAS LOCALIDADES:

Si se encuentra en México, por favor llame al (55) 5326 7100

Si se encuentra en U.S., por favor llame al 1-800-433-9258 (1-800 4-DEWALT)

Póliza de Garantía

IDENTIFICACIÓN DEL PRODUCTO:

Sello o firma del Distribuidor.

Nombre del producto: _____ Mod./Cat.: _____

Marca: _____ Núm. de serie: _____

(Datos para ser llenados por el distribuidor)

Fecha de compra y/o entrega del producto: _____

Nombre y domicilio del distribuidor donde se adquirió el producto:

Este producto está garantizado por un año a partir de la fecha de entrega, contra cualquier defecto en su funcionamiento, así como en materiales y mano de obra empleados para su fabricación. Nuestra garantía incluye la reparación o reposición del producto y/o componentes sin cargo alguno para el cliente, incluyendo mano de obra, así como los gastos de transportación razonablemente erogados derivados del cumplimiento de este certificado.

Para hacer efectiva esta garantía deberá presentar su herramienta y esta póliza sellada por el establecimiento comercial donde se adquirió el producto, de no contar con ésta, bastará la factura de compra.

EXCEPCIONES

Esta garantía no será válida en los siguientes casos:

- Cuando el producto se hubiese utilizado en condiciones distintas a las normales;
- Cuando el producto no hubiese sido operado de acuerdo con el instructivo de uso que se acompaña;
- Cuando el producto hubiese sido alterado o reparado por personas distintas a las enlistadas al final de este certificado.

Anexo encontrará una relación de sucursales de servicio de fábrica, centros de servicio autorizados y franquiciados en la República Mexicana, donde podrá hacer efectiva su garantía y adquirir partes, refacciones y accesorios originales.

Garantía limitada por tres años

DEWALT reparará, sin cargo, cualquier falla que surja de defectos en el material o la fabricación del producto, por hasta tres años a contar de la fecha de compra. Esta garantía no cubre fallas de las piezas causadas por su desgaste normal o abuso a la herramienta. Para mayores detalles sobre la cobertura de la garantía e información acerca de reparaciones realizadas bajo garantía, visítenos en www.dewalt.com o diríjase al centro de servicio más cercano. Esta garantía no aplica a accesorios o a daños causados por reparaciones realizadas o intentadas por terceros. Esta garantía le otorga derechos legales específicos, además de los cuales puede tener otros dependiendo del estado o la provincia en que se encuentre.

Además de la garantía, las herramientas DEWALT están cubiertas por:

1 AÑO DE SERVICIO GRATUITO

DEWALT mantendrá la herramienta y reemplazará las piezas gastadas por su uso normal, sin cobro, en cualquier momento durante un año a contar de la fecha de compra. Los artículos gastados por la clavadora, tales como la unidad de hoja y retorno del impulsador, no están cubiertas.

GARANTÍA DE REEMBOLSO DE SU DINERO POR 90 DÍAS

Si no está completamente satisfecho con el desempeño de su máquina herramienta, láser o clavadora DEWALT, cualquiera sea el motivo, podrá devolverlo hasta 90 días de la fecha de compra con su recibo y obtener el reembolso completo de su dinero – sin necesidad de responder a ninguna pregunta.

AMÉRICA LATINA: Esta garantía no se aplica a los productos que se venden en América Latina. Para los productos que se venden en América Latina, debe consultar la información de la garantía específica del país que viene en el empaque, llamar a la compañía local o visitar el sitio Web a fin de obtener esa información.

REEMPLAZO GRATUITO DE LAS ETIQUETAS DE ADVERTENCIAS: Si sus etiquetas de advertencia se vuelven ilegibles o faltan, llame al 1-800-4-DEWALT (1-800-433-9258) para que se le reemplacen gratuitamente.

DWE1014 3/8" (10mm) ROTARY DRILL
SER. XXXXXXXXXX
 WARNING TO REDUCE THE RISK OF INJURY, USER MUST READ INSTRUCTION MANUAL. ALWAYS USE PROPER EYE AND RESPIRATORY PROTECTION.
ADVERTENCIA: PARA EL MANEJO SEGURO LEA EL MANUAL DE INSTRUCCIONES. SIEMPRE SE DEBERA LLEVAR LA PROTECCIÓN APROPIADA PARA LA VISTA Y PARA LAS VIAS RESPIRATORIAS.
AVERTISSEMENT: À TITRE PRÉVENTIF, LIRE LE GUIDE. IL FAUT TOUJOURS PORTER DE L'ÉQUIPEMENT DE PROTECTION OCULAIRE ET RESPIRATOIRE APPROPRIÉ.
<small>DEWALT INDUSTRIAL TOOL CO., BALTIMORE, MD 21286 FOR SERVICE INFORMATION, CALL 1-800-4 DEWALT www.Dewalt.com</small>

SOLAMENTE PARA PROPÓSITO DE MÉXICO:
IMPORTADO POR: DeWALT INDUSTRIAL TOOL CO. S.A. DE C.V.
AVENIDA ANTONIO DOVALI JAIME, # 70 TORRE B PISO 9
COLONIA LA FE, SANTA FÉ
CÓDIGO POSTAL : 01210
DELEGACIÓN ALVARO OB REGÓN
MÉXICO D.F.
TEL. (52) 555-326-7100
R.F.C.: BDE810626-1W7

Para servicio y ventas consulte
"HERRAMIENTAS ELÉCTRICAS"
en la sección amarilla.



ESPECIFICACIONES

DWE1014

Tensión de alimentación:	120 V c.a. ~
Consumo de corriente:	7 A
Frecuencia de alimentación:	50/60 Hz
Potencia nominal:	780 W
Rotación sin carga:	0-2 800/min