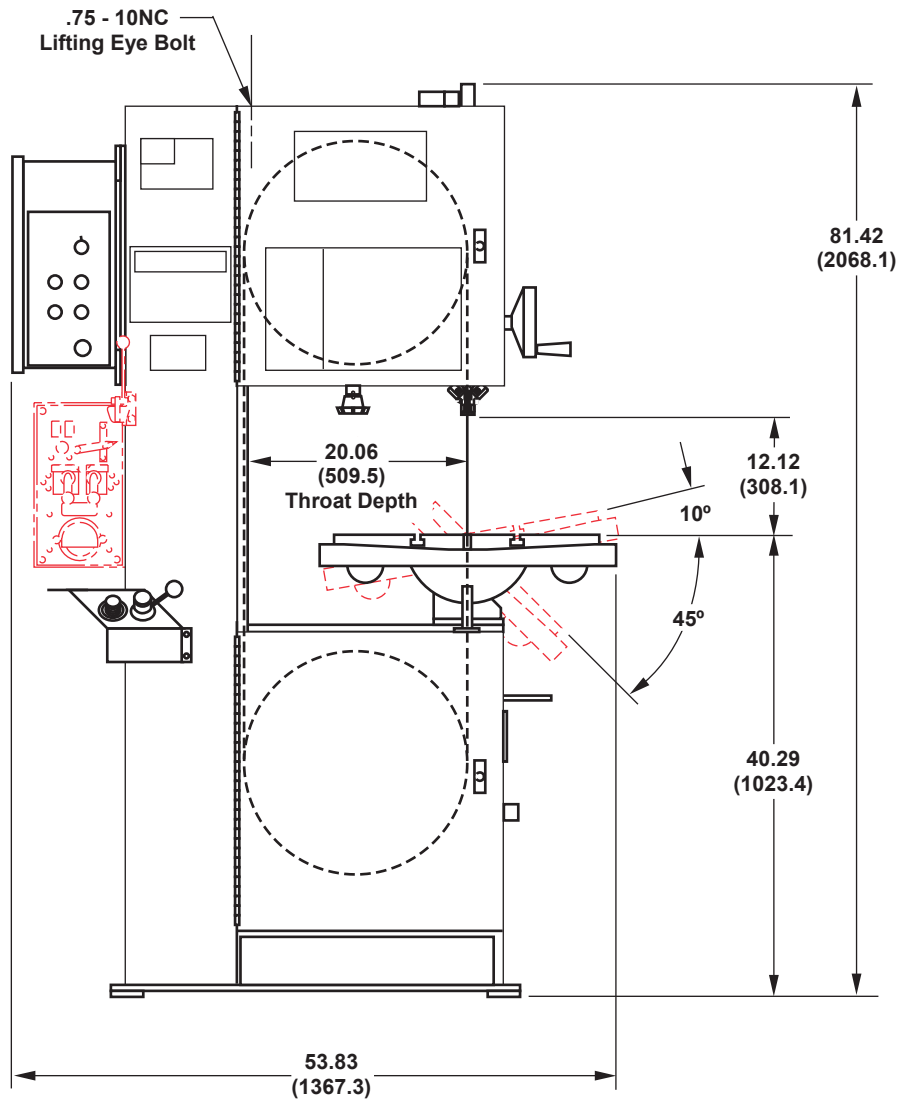


# Front Dimensions



# Top Dimensions

