

Parts Manual



SAWING PRODUCTS

2012-VH

Serial No: 561-03101 to

Band Sawing Machine

MACHINE SPECIFICATIONS

MODEL SERIAL NO.

VOLTAGE CYCLE PHASE

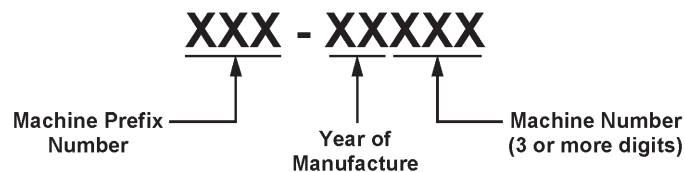
For your information and future reference, insert pertinent data concerning your machine in the spaces provided above. This information is printed on a label or stamped on a plate attached to the machine frame.

Always specify model and serial numbers on all parts orders and correspondence concerning your machine. This will help avoid unnecessary delays and inconvenience during processing.

The specifications contained herein were in effect at the time this manual was approved for printing. The DoALL Company, whose policy is one of continuous product improvement, reserves the right to change specifications or design at any time without notice and without incurring obligations.

How to read your serial number:

Example: 500-001234



For Sales, Parts and Service, call 1-888-362-5572.



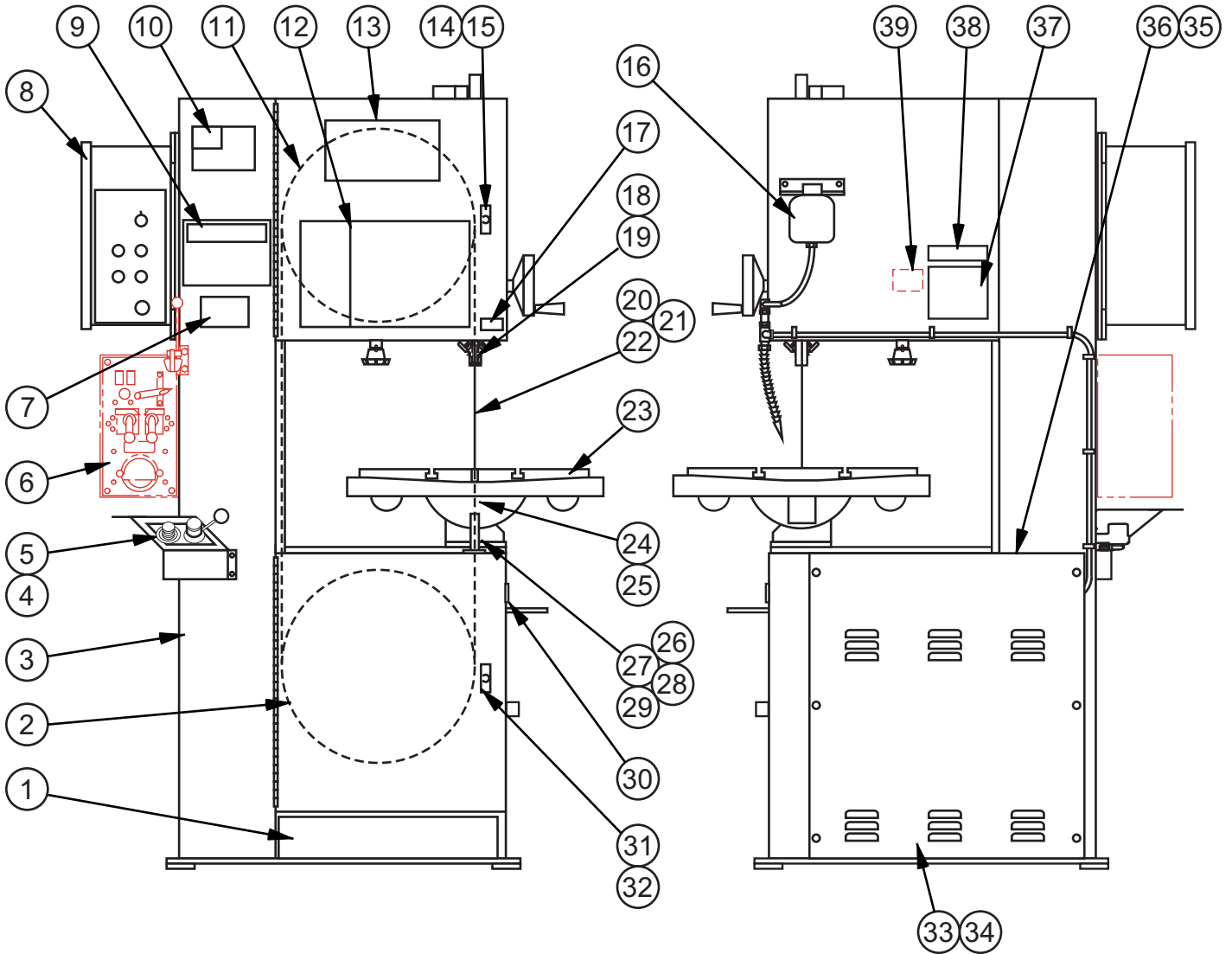
DoALL SAWING PRODUCTS
2375B TOUHY AVENUE
ELK GROVE, ILLINOIS 60007 U.S.A.

YOUR SERVICE REPRESENTATIVE:

Fiche No. B-22 Model 2012-VH Serial No. 561-03101 to _____

PAGE NO.	DESCRIPTION	FIRST SERIAL	LAST SERIAL	PAGES
CM-1-25	Final Assembly	All		2 - 3
CM-2-118	*Auxiliary Post Support Assembly (Extra Work Height)	All		4 - 5
CM-6-62	*Band Break Switch Assembly	All		14 - 15
CM-8-52	*Band Lubricator Assembly (Accu-Lube/Unist)	All		6 - 7
CM-2-131	Bandwheel Assemblies	All		8 - 9
CM-9-1	*Disc Cutter Assembly	All		10 - 11
CM-1-25	Door Latches	All		2 - 3
CM-5-90	Drive Assembly	All		12 - 13
CM-6-62	Electrical Assembly	All		14 - 15
CM-6-61	Electrical Control Box Assembly	All		16 - 17
CM-2-129	*Extra Work Height Assembly	All		18 - 19
CM-8-74	*Flood Coolant Assembly	All		20 - 21
CM-9-12	*Foot Switch Assembly	All		22 - 23
CM-2-128	Head Assembly	All		24 - 25
CM-4-145	Hydraulic Assembly	All		26 - 27
CM-3-103	Hydraulic Table Assembly	All		28 - 29
CM-4-145	Hydraulic Tank	All		26 - 27
CM-1-25	Job Selector	All		2 - 3
CM-10-45	*Laser Line Generator Assembly	All		30 - 31
CM-6-62	Limit Switches (Interlocks)	All		14 - 15
CM-8-73	*Magnifier	All		54 - 55
CM-8-71	*Mist Coolant Assembly (And Related Items)	All		32 - 33
CM-4-145	Oil Filter	All		26 - 27
CM-2-130	*Post Elevating Handwheel Assembly	All		34 - 35
CM-10-7	*Protractor Work Stop & Alignment Gage Assembly	All		36 - 37
CM-7-29	Saw Guide Assemblies (Insert/Special Application)	All		38 - 39
CM-7-27	Saw Guide Assemblies (Roller Types)	All		40 - 41
CM-5-91	*Shift Lock Assembly (Electrical)	All		42 - 43
CM-5-90	Shift Lever Lock Assembly (Manual)	All		12 - 13
CM-4-148	Table Control Valve Assembly	All		44 - 45
CM-3-103	Table Feed Cylinder	All		28 - 29
CM-4-147	Transmission Assembly	All		46 - 47
CM-10-9	*Universally Calibrated Work Fixture Assembly	All		48 - 49
CM-4-47	*Valve Manifold Assembly (Foot Switch)	All		50 - 51
CM-2-131	Wheel Hinge Assembly	All		8 - 9
CM-9-5	*Work Holding Jaw Assembly	All		52 - 53
CM-8-73	*Worklamp Assembly	All		54 - 55
	*Denotes Attachment or Optional Equipment.			

NEW DRG.
S.C.L. 7-31-03
REVISIONS
S.C.L. 8-23-06
S.C.L. 3-17-08
S.C.L. 9-9-09



MODEL FIRST MACH. LAST MACH.
2012-VH 561-03101

FINAL ASSEMBLY

FINAL ASSEMBLY

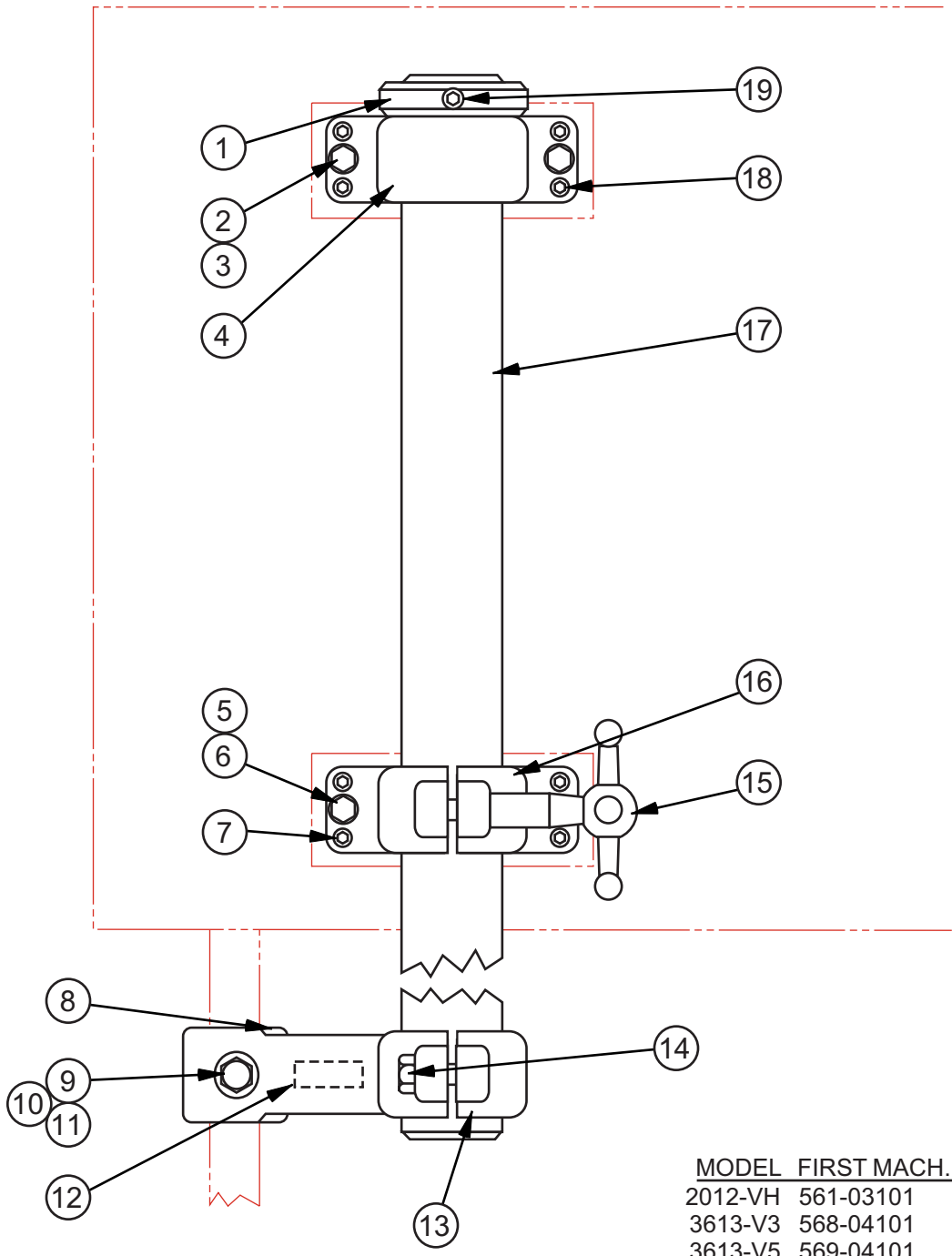
INDEX NO.	PART NO.	DESCRIPTION	UNITS PER ASS'Y.
Ref.	290212	Final Assembly	
1	404522	. Chip Box Weldment (Standard)	1
	414621	. Chip Box Assembly (Dust Spout Option)	1
2	220236	. Drive Assembly (See Detail)	1
3*	220211	. Frame Weldment	1
4	220743	. Hydraulic Assembly (See Detail)	1
5	202698	. Tag (Hydraulic System Purge)	1
6		. DBW-15 Buttwelder Assembly (Optional) (See Welder Manual)	1
7	209652	. Escutcheon (Diameters/X-Section Areas)	1
8		. Electrical Assembly (See Detail)	1
9	404476	. Escutcheon (Warning)	1
10	201469	. Decal (American Flag)	1
11	521515	. Head Assembly (See Detail)	1
12	515907	. Job Selector	1
13	416163	. Decal (DoALL)	1
14	172762	. Latch	1
15	198853	. Screw, Rd. Hd. Mach. #8-32NC x 3/8	2
16	519500	. Mist Coolant Assembly (See Detail)	1
17	131033	. Escutcheon (Warning) (English) (If Supplied)	1
	131408	. Escutcheon (Warning) (International) (If Supplied)	1
18	304843	. Upper Saw Guide Assembly (See Detail)	1
19	018500	. Upper Saw Guide Holding Screw	2
20*	171508	. Saw Band (Imperial Bi-Metal Super Silencer)	1
21	304525	. Saw Band Tag	1
22	222563	. Tag (Installation Instructions)	1
23	220747	. Hydraulic Table Assembly (See Detail)	1
	220748	. Hydraulic Table Assembly (18" Stroke Option) (See Detail)	1
24	304844	. Lower Saw Guide Assembly (See Detail)	1
25	198246	. Screw, Soc. Hd. Cap 1/4-20NC x 1-3/4	2
26	413965	. Guard Weldment	1
27	198867	. Screw, Rd. Hd. Mach. #10-24NC x 3/8	2
28	199111	. Nut, Hex. #10-24NC	2
29	199320	. Washer, Lock #10 Std.	2
30	172654	. Escutcheon (Caution) (English)	1
	172655	. Escutcheon (Caution) (International)	1
31	172762	. Latch	1
32	198853	. Screw, Rd. Hd. Mach. #8-32NC x 3/8	2
33	420945	. Rear Drive Cover	1
34	199299	. Screw, Hex. Hd. Self-Drill M4.8 x 13	7
35	420725	. Top Drive Cover	1
36	199299	. Screw, Hex. Hd. Self-Drill M4.8 x 13	6
37	1012541	. Label (Machine Specifications)	1
38	222562	. Label (1-888-DoALL)	1
39	206698	. CE Label (Europa Only)	1

*NOTE: See Extra Work Height Assembly If Applicable.

Following Not Shown:

128854	. Escutcheon (Government Specifications)	1
199397	. Screw, Rd. Hd. Mach. #2 x 1/4	1
406871	. Instruction Tag	1
170093	. Box of Extra Parts	1
140693	. Saw Guide Insert Pack (See Detail)	1
010853	. Wrench (Table Tilt)	1
199568	. Hex. Key 3/16"	1
220770	. Documentation CD	1
1013223	. Pallet	1
203101	. Tag (Replace Plugs with...)	1

NEW DRG. S.C.L. 2-25-04
REVISIONS
S.C.L. 4-4-07
S.C.L. 2-11-08
S.C.L. 9-9-09



MODEL	FIRST MACH.	LAST MACH.
2012-VH	561-03101	
3613-V3	568-04101	
3613-V5	569-04101	
3612-VH	570-04101	
2013-V	571-04101	
2013-V3	572-04101	
2013-V5	573-04101	
3613-1	577-04101	
2012-D12	584-08101	
2613-V3	589-09101	

AUXILIARY POST SUPPORT ASSEMBLY (EXTRA WORK HEIGHT)

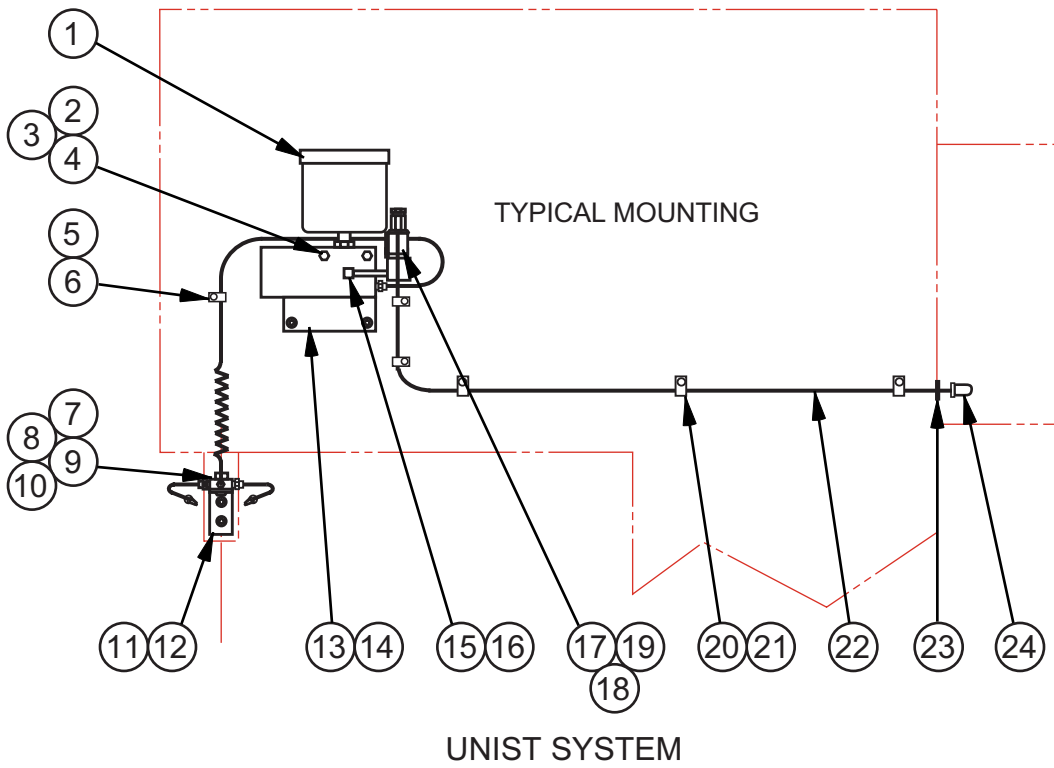
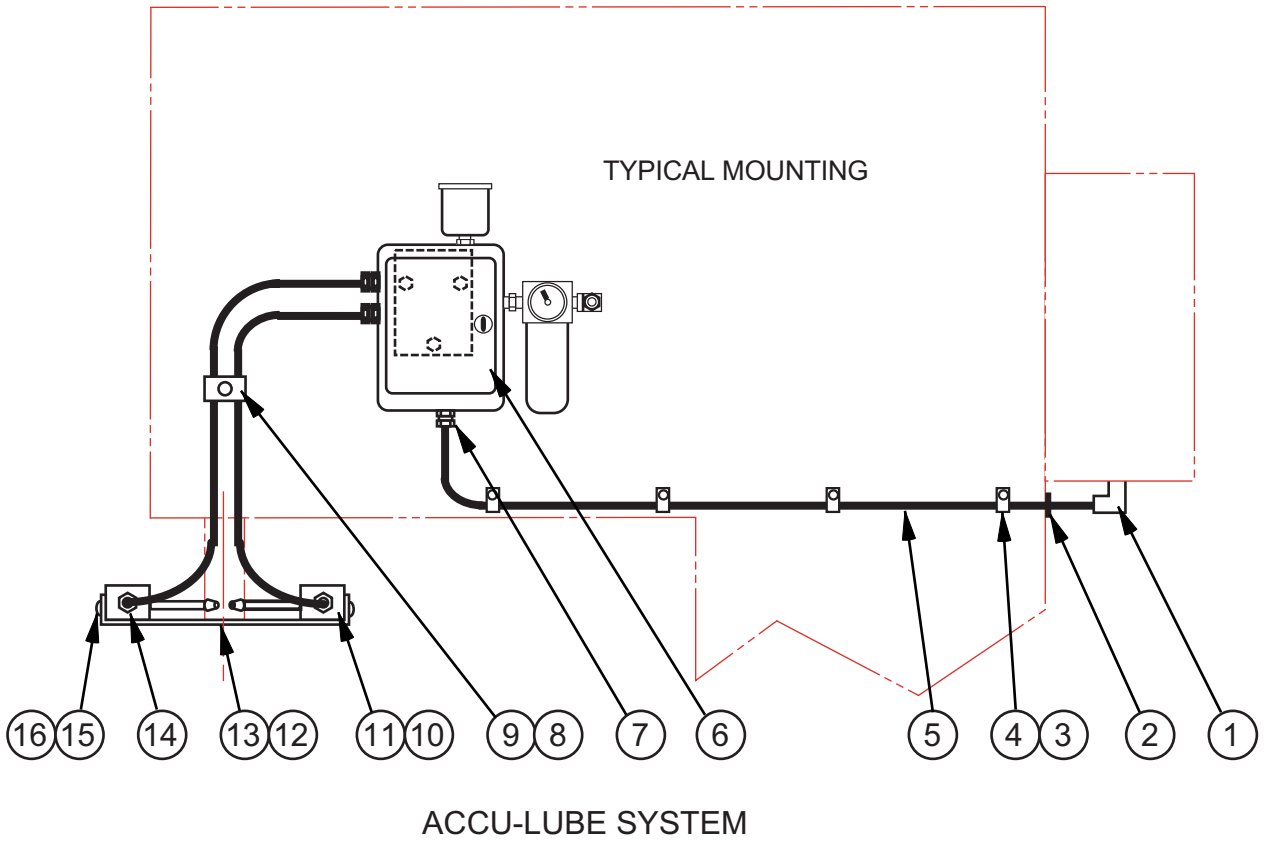
C - 2 - 118 CM - 2 - 132

PRINTED IN U.S.A.

AUXILIARY POST SUPPORT ASSEMBLY

INDEX NO.	PART NO.	DESCRIPTION	UNITS PER ASS'Y.
Ref.	506149	Auxiliary Post Support Assembly	
1	13-001423	. Post Collar	1
2	198048	. Screw, Hex. Hd. Cap 3/8-16NC x 1-1/2	2
3	199325	. Washer, Lock 3/8 Std.	2
4	032463	. Upper Post Guide	1
5	198048	. Screw, Hex. Hd. Cap 3/8-16NC x 1-1/2	2
6	199325	. Washer, Lock 3/8 Std.	2
7	198439	. Screw, Soc. Set 5/16-18NC x 3/4	4
8	13-001309	. Back-Up Pad	1
9	13-001419	. Back-Up Pad Screw 1/2-13NC x 4-1/8	1
10	199132	. Nut, Hex. Jam 1/2-13NC	1
11	35-009616	. Retaining Ring	1
12	203551	. Escutcheon (Remove Bracket)	1
13	024337	. Support Arm	1
14	198067	. Screw, Hex. Hd. Cap 1/2-13NC x 1-1/2	1
15	007629	. Starwheel Assembly	1
	6-001103	. . Starwheel	1
	004261	. . Spring Pin	1
	13-001422	. . Post Clamp Screw	1
16	032462	. Lower Post Guide	1
17	305659	. Auxiliary Post (24" Work Height)	1
	305660	. Auxiliary Post (30" Work Height)	1
18	198439	. Screw, Soc. Set 5/16-18NC x 3/4	4
19	198450	. Screw, Soc. Set 3/8-16NC x 5/8	1

NEW DRG.
S.C.L. 5-1-00
REVISIONS
S.C.L. 2-25-04
S.C.L. 8-16-06
S.C.L. 2-8-08



BAND LUBRICATOR ASSEMBLY

C - 8 - 30 CM - 8 - 52 Z - 8 - 26

PRINTED IN U.S.A.

BAND LUBRICATOR ASSEMBLY

INDEX NO.	PART NO.	DESCRIPTION	UNITS PER ASS'Y.
Ref.	520296	Band Lubricator Assembly (Accu-Lube System)	
1	320570	. 90° Cord Grip Connector (.125-.375)	1
2	133195	. Grommet	1
3	009955	. Tubing Clamp	4
4	199484	. Screw, Rd. Hd. Self-Tap 1/4-20NC x 1/2	4
5	197332	. Electrical Cord (#18-2 Conductor)	A.R.
6	204206	. Applicator Unit (Includes Hoses, Nozzles, etc.)	1
7	015139	. Cord Grip Connector (.250-.375)	1
8	313336	. Double Support	1
9	198276	. Screw, Soc. Hd. Cap 3/8-16NC x 1/2	1
10	216855	. Block	2
11	309004	. Male Connector	2
12	324404	. Mounting Bracket	1
13	198353	. Screw, Flat Hd. Soc. #6-32NC x 3/8	2
14	016001	. Barbed Insert	2
15	198207	. Screw, Soc. Hd. Cap #6-32NC x 3/8	4
16	199256	. Washer, Flat #6 S.A.E. Std.	4

Following Not Shown and Mounted on or Near the Control Box:

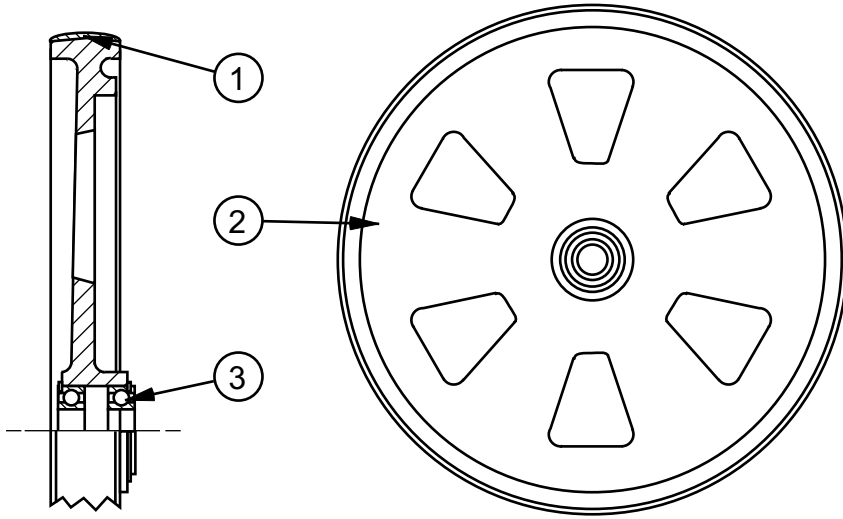
211111	. Selector Switch (2 Position)	1
217373	. Escutcheon (Mist Lube)	1

Ref.	1002498	Band Lubricator Assembly (Unist System)	
1	217359	. Applicator Unit (Includes Hose)	1
2	198015	. Screw, Hex. Hd. Cap 1/4-20NC x 2-1/4	2
3	199115	. Nut, Hex. 1/4-20NC	2
4	199321	. Washer, Lock 1/4 Std.	2
5	209458	. Hose Clamp (Half)	1
6	198321	. Screw, Button Hd. Soc. #10-24NC x 3/8	1
7	215821	. Nozzle Splitter	1
8	198360	. Screw, Button Hd. Soc. 1/4-20NC x 7/8	1
9	199114	. Nut, Hex. Jam 1/4-20NC	1
10	199321	. Washer, Lock 1/4 Std.	1
11	215917	. Mounting Bracket	1
12	198366	. Screw, Button Hd. Soc. 1/4-20NC x 3/8	2
13	214906	. Mounting Bracket	1
14	198366	. Screw, Button Hd. Soc. 1/4-20NC x 3/8	2
15	5-027506	. 90° Street Elbow	1
16	203144	. Pipe Nipple (Brass)	1
17	176829	. Solenoid Valve (3-Way)	1
18	177054	. Solenoid Plug Connector Kit	1
19	176811	. Vent Filter Breather	1
20	009955	. Tubing Clamp	5
21	198366	. Screw, Button Hd. Soc. 1/4-20NC x 3/8	5
22	197344	. Electrical Cord (#18-3 Conductor)	A.R.
23	133195	. Grommet (If Supplied)	1
24	201688	. Cord Grip Connector (.200-.394)	1

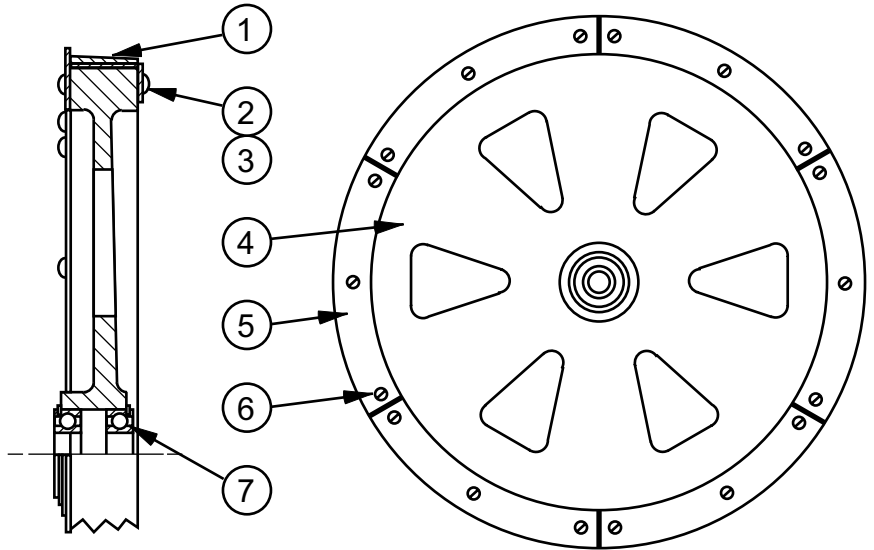
Following Not Shown and Mounted on or Near the Control Box on Selected Models:

211111	. Selector Switch (2 Position) (Includes Contact Blocks)	1
217373	. Escutcheon (Mist Lube)	1

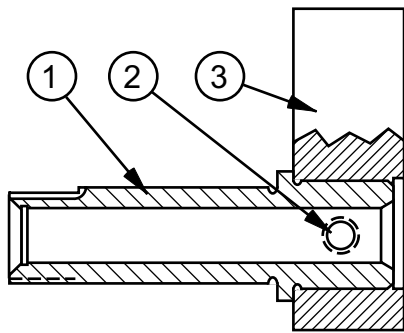
NEW DRG.
S.C.L. 2-25-04
REVISIONS
S.C.L. 4-4-07
S.C.L. 2-11-08



CROWNED BANDWHEELS



FLANGED BANDWHEELS



WHEEL HINGE ASSEMBLY

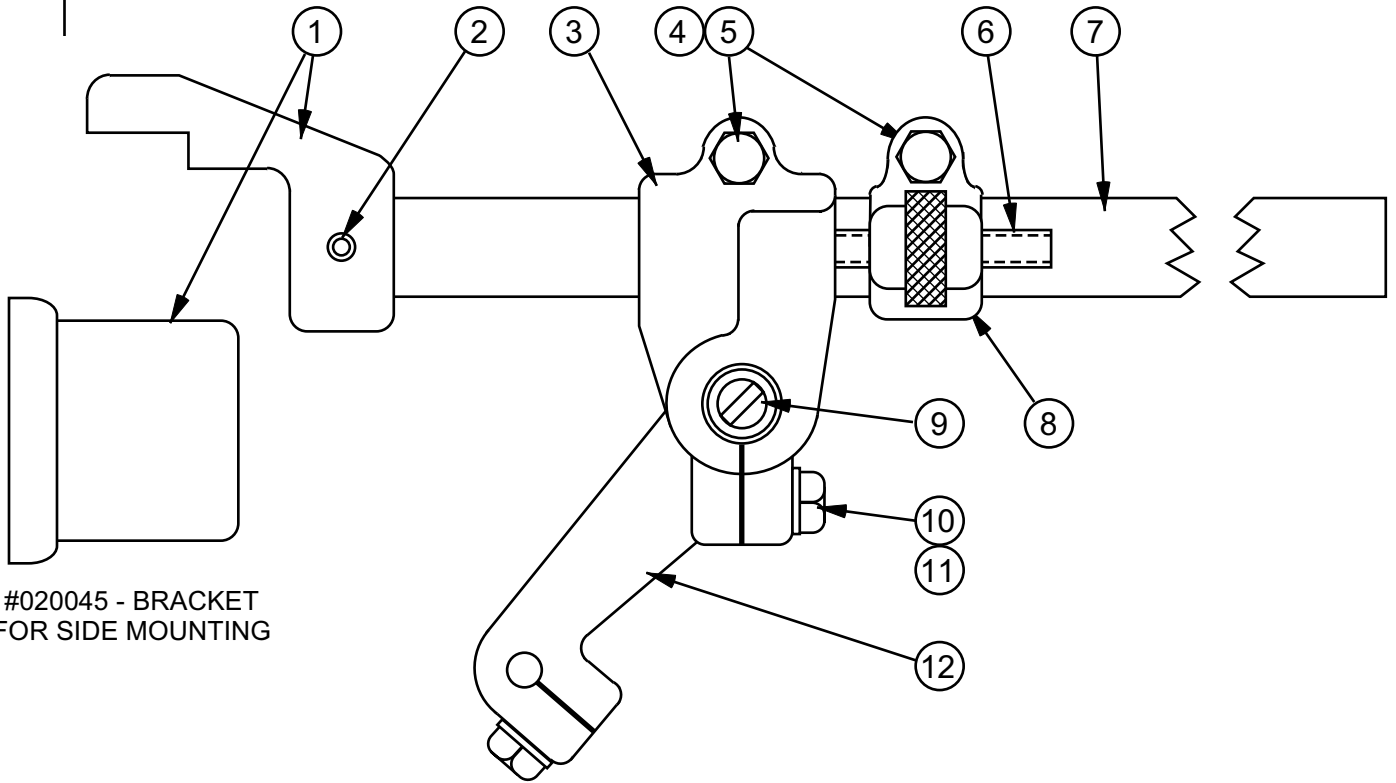
MODEL	FIRST MACH.	LAST MACH.
2012-VH	561-03101	
3613-V3	568-04101	
3613-V5	569-04101	
3612-VH	570-04101	
2013-V	571-04101	
2013-V3	572-04101	
2013-V5	573-04101	
3613-1	577-04101	
2012-D12	584-08101	

BANDWHEEL ASSEMBLIES

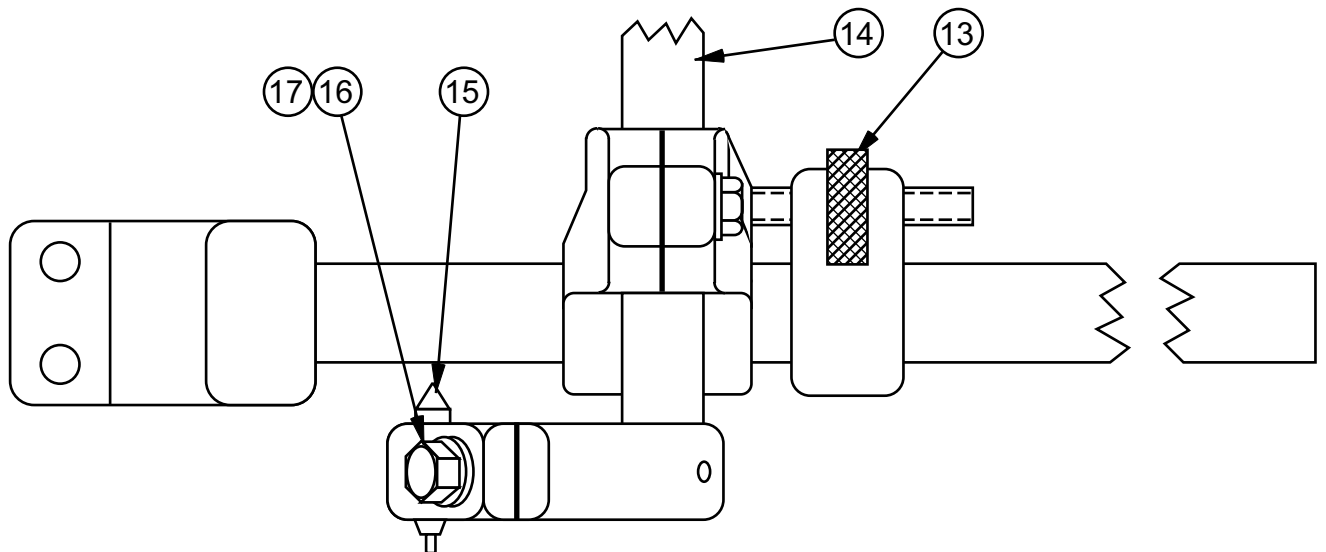
BANDWHEEL ASSEMBLIES

INDEX NO.	PART NO.	DESCRIPTION	UNITS PER ASS'Y.
<u>CROWNED BANDWHEELS</u>			
Ref.	402598	Bandwheel Assembly (Upper and Idler)	
Ref.	039712	Bandwheel Assembly (Lower)	
1	125357	. Tire	1
2	402597	. Bandwheel (Upper and Idler)	1
	402599	. Bandwheel (Lower)	1
3	5-001508	. Ball Bearing (Upper and Idler Bandwheels Only)	2
<u>FLANGED BANDWHEELS</u>			
Ref.	406558	Bandwheel Assembly (Upper and Idler)	
Ref.	408945	Bandwheel Assembly (Lower)	
1	305030	. Tire And Rim Assembly	1
2	004675	. Retainer	4
3	198000	. Screw, Hex. Hd. Cap #10-24NC x 3/8	8
4	406458	. Bandwheel (Upper and Idler)	1
	408875	. Bandwheel (Lower)	1
5	304732	. Flange Segment	6
6	198000	. Screw, Hex. Hd. Cap #10-24NC x 3/8	18
7	5-001508	. Ball Bearing (Upper and Idler Bandwheels Only)	2
Ref.	302346	Wheel Hinge Assembly	
1	5-001424	. Axis Stud	1
2	198423	. Screw, Soc. Set 1/4-20NC x 5/16	1
3	120624	. Block	1

NEW DRG.
S.C.L. 9-24-97
REVISIONS
S.C.L. 2-25-04
S.C.L. 2-11-08



#020045 - BRACKET
FOR SIDE MOUNTING



DISC CUTTER ASSEMBLY

C - 10 - 2 CM - 9 - 1 Z - 9 - 4

PRINTED IN U.S.A.

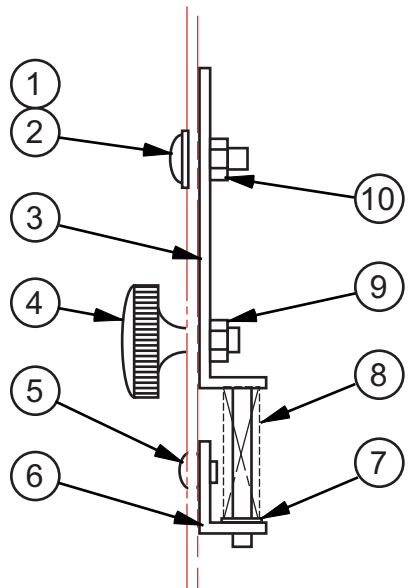
DISC CUTTER ASSEMBLY

INDEX NO.	PART NO.	DESCRIPTION	UNITS PER ASS'Y.
Ref.	402080	Disc Cutter Assembly (Rear Mounted)	
Ref.	040044	Disc Cutter Assembly (Side Mounted)	
1	039019	. Bracket (Rear Mounted)	1
	020045	. Bracket (Side Mounted)	1
2	004276	. Spring Pin (Rear Mounted)	1
	004275	. Spring Pin (Side Mounted)	1
3	35-003400	. Radius Arm Clamp	1
4	198046	. Screw, Hex. Hd. Cap 3/8-16NC x 1	2
5	199325	. Washer, Lock 3/8 Std.	2
6	219409	. Adjustment Rod (w/ #202383 Adhesive)	1
7	35-003399	. Radius Arm	1
8	5-015109	. Adjustment Housing	1
9	004261	. Spring Pin	1
10	198046	. Screw, Hex. Hd. Cap 3/8-16NC x 1	1
11	199325	. Washer, Lock 3/8 Std.	1
12	35-003402	. Center Pin Clamp	1
13	5-015412	. Adjustment Wheel	1
14	35-003401	. Center Adjusting Tube	1
15	5-015415	. Center Pin	1
16	198029	. Screw, Hex. Hd. Cap 5/16-18NC x 1	1
17	199323	. Washer, Lock 5/16 Std.	1

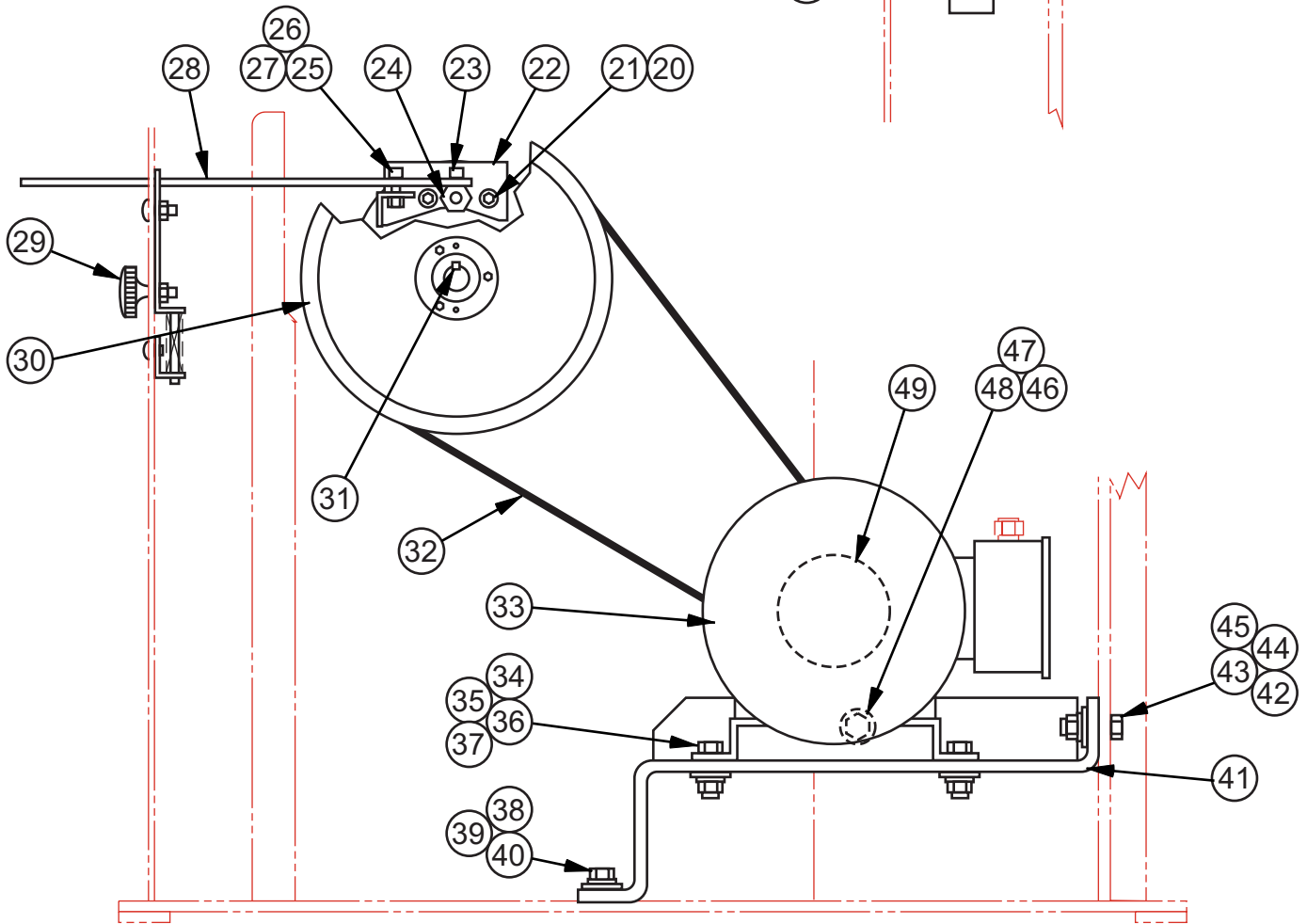
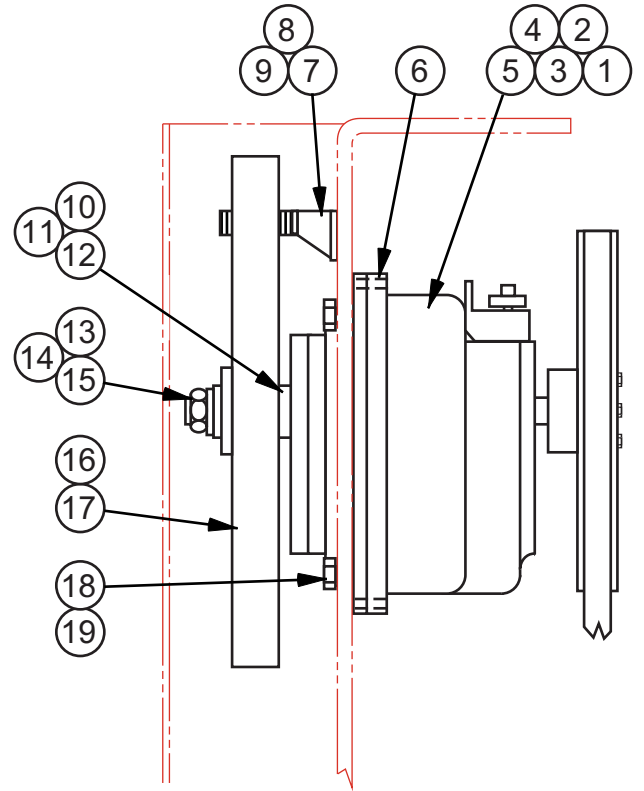
Following Not Shown and Used For Mounting to the Post:

198029	. Screw, Hex. Hd. Cap 5/16-18NC x 1 (Rear Mounted)	2
198031	. Screw, Hex. Hd. Cap 5/16-18NC x 1-1/2 (Side Mounted)	2
199262	. Washer, Flat 5/16 S.A.E. Std.	2
199323	. Washer, Lock 5/16 Std.	2
131797	. Cloth Bag	1
34-020308	. Wrench (If Supplied)	1

NEW DRG.	S.C.L. 7-31-03
REVISIONS	
S.C.L. 2-25-04	
S.C.L. 3-17-08	
S.C.L. 9-9-09	



SHIFT LEVER LOCK ASSEMBLY



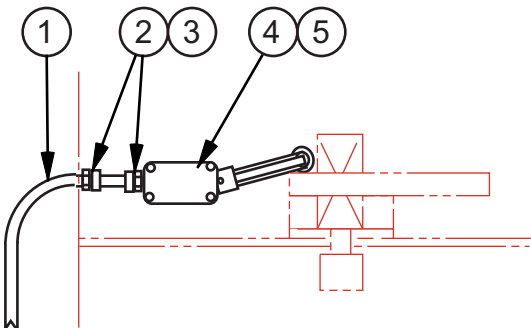
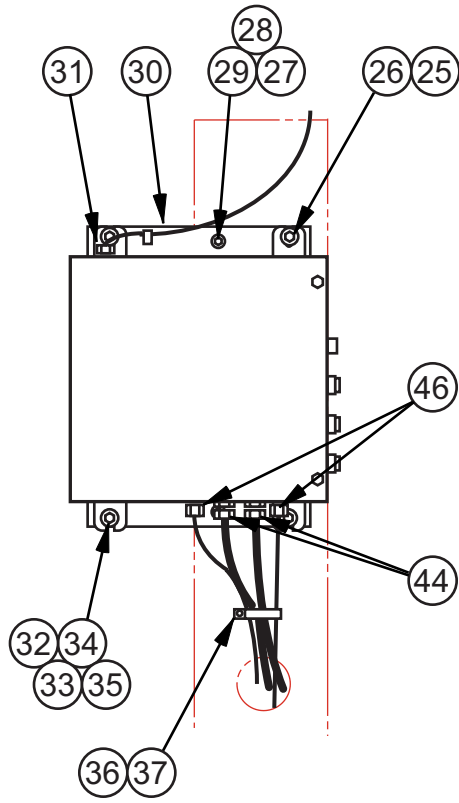
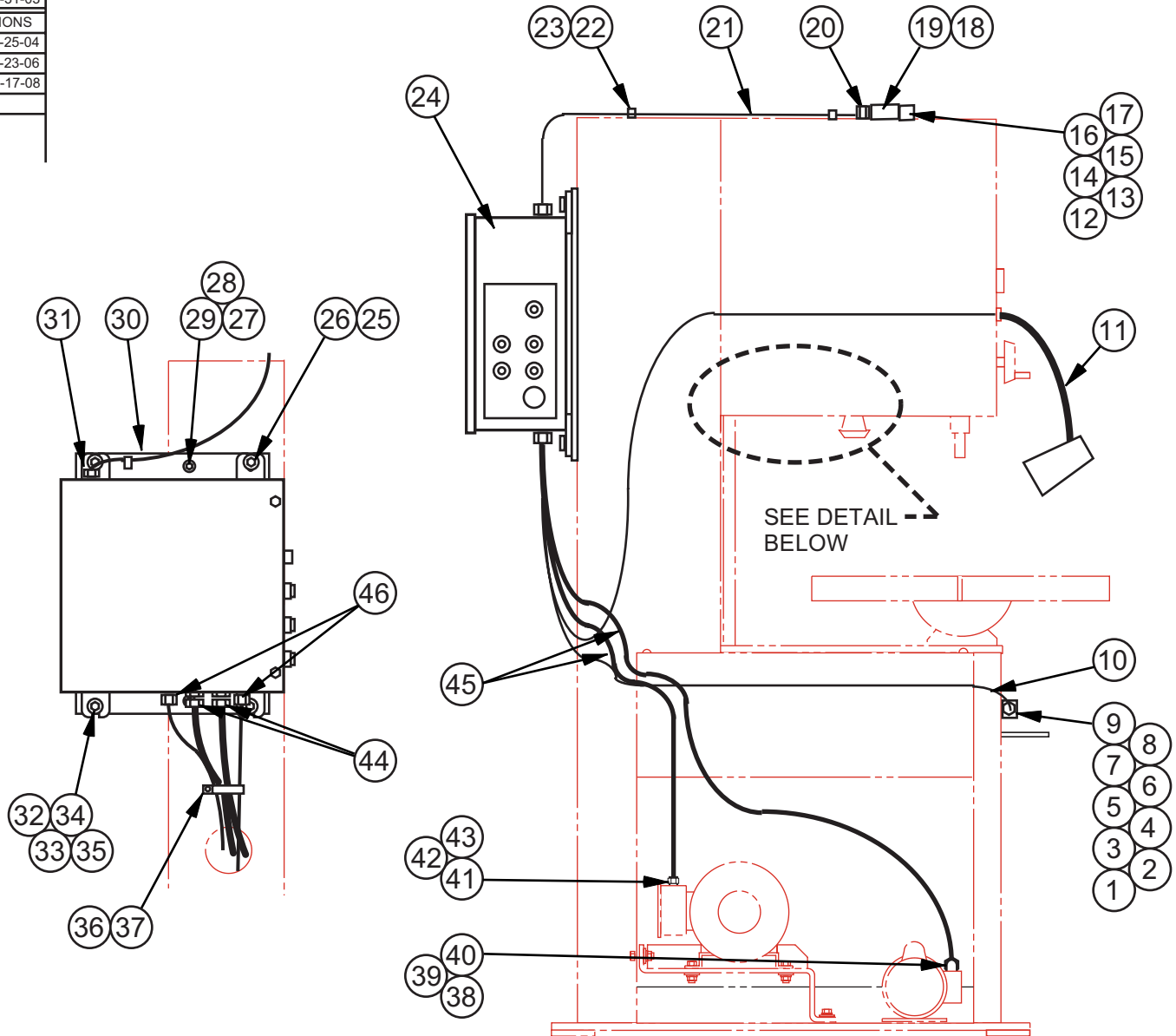
MODEL FIRST MACH. LAST MACH.
 2012-VH 561-03101
 3612-VH 570-04101

DRIVE ASSEMBLY

DRIVE ASSEMBLY

INDEX NO.	PART NO.	DESCRIPTION	UNITS PER ASS'Y.
Ref.	220236	Drive Assembly	
1	506827	. Transmission Assembly (See Detail)	1
2	133570	. Shim (.005)	A.R.
3	133571	. Shim (.008)	A.R.
4	133572	. Shim (.010)	A.R.
5	133573	. Shim (.020)	A.R.
6	260380	. Dowel Pin	2
7	016664	. Brush Holder Weldment	1
8	016684	. Wheel Brush	1
9	199020	. Screw, Pan Hd. Mach. 1/4-20NC x 1/2	2
10	133316	. Spacer (.014/.016)	A.R.
11	133317	. Spacer (.028/.032)	A.R.
12	133318	. Spacer (.127/.143)	A.R.
13	199140	. Nut, Hex. Jam 3/4-10NC	1
14	199378	. Washer, Lock 3/4 Shakeproof Ext.	1
15	199268	. Washer, Flat 3/4 S.A.E. Std.	1
16	408945	. Bandwheel Assembly (See Detail)	1
17	5-004604	. Woodruff Key	1
18	198031	. Screw, Hex. Hd. Cap 5/16-18NC x 1-1/2	4
19	199323	. Washer, Lock 5/16 Std.	4
20	198236	. Screw, Soc. Hd. Cap 1/4-20NC x 1/2	2
21	199321	. Washer, Lock 1/4 Std.	2
22	315179	. Shift Arm Mounting Bracket	1
23	174055	. Screw, Soc. Hd. Shoulder 1/4-20NC x 3/8 (5/16 Dia.)	1
24	172399	. Adaptor	1
25	120796	. Screw, Soc. Hd. Shoulder 1/4-20NC x 3/8 (5/16 Dia.)	1
26	199321	. Washer, Lock 1/4 Std.	1
27	199176	. Nut, Hex. 1/4-20NC	1
28	314674	. Shift Lever	1
29	207684	. Shift Lever Lock Assembly (See Detail)	1
30	220219	. Pulley	1
31	7-001345	. Key	1
32	209500	. Timing Belt	1
33	209624	. Electric Motor (208V, 230V,460V)	1
	209625	. Electric Motor (575V)	1
	220272	. Electric Motor (220V, 440V; 50 Hz)	1
34	198046	. Screw, Hex. Hd. Cap 3/8-16NC x 1	4
35	199325	. Washer, Lock 3/8 Std.	4
36	199264	. Washer, Flat 3/8 S.A.E. Std.	4
37	199126	. Nut, Hex. 3/8-16NC	4
38	198044	. Screw, Hex. Hd. Cap 3/8-16NC x 3/4	2
39	199325	. Washer, Lock 3/8 Std.	2
40	199264	. Washer, Flat 3/8 S.A.E. Std.	2
41	518413	. Base Plate Weldment	1
42	198046	. Screw, Hex. Hd. Cap 3/8-16NC x 1	4
43	199325	. Washer, Lock 3/8 Std.	4
44	199264	. Washer, Flat 3/8 S.A.E. Std.	4
45	199126	. Nut, Hex. 3/8-16NC	4
46	198044	. Screw, Hex. Hd. Cap 3/8-16NC x 3/4	1
47	199325	. Washer, Lock 3/8 Std.	1
48	199264	. Washer, Flat 3/8 S.A.E. Std.	1
49	220218	. Motor Pulley	1
Ref.	207684	. Shift Lever Lock Assembly	
1	198368	. . Screw, Button Hd. Soc. 1/4-20NC x 3/4	1
2	199260	. . Washer, Flat 1/4 S.A.E. Std.	1
3	320835	. . Slide Plate and Pin Weldment	1
4	014910	. . Thumbscrew	1
5	198321	. . Screw, Button Hd. Soc. #10-24NC x 3/8	1
6	207682	. . Spring Support Bracket	1
7	199260	. . Washer, Flat 1/4 S.A.E. Std.	1
8	134024	. . Compression Spring	1
9	016809	. . Self-Locking Nut 5/16-18NC	1
10	100902	. . Self-Locking Nut 1/4-20NC	1

NEW DRG.
S.C.L. 7-31-03
REVISIONS
S.C.L. 2-25-04
S.C.L. 8-23-06
S.C.L. 3-17-08



BAND BREAK SWITCH ASSEMBLY
(OPTIONAL)

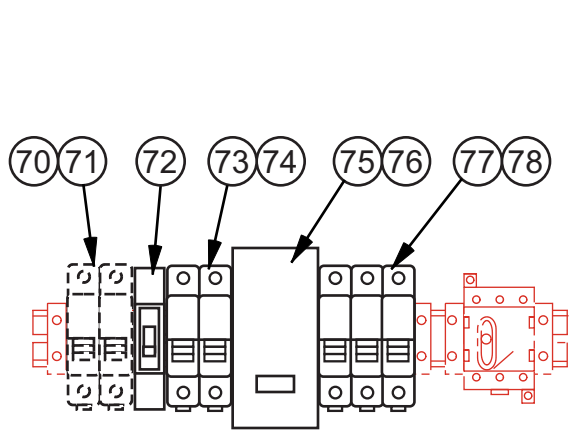
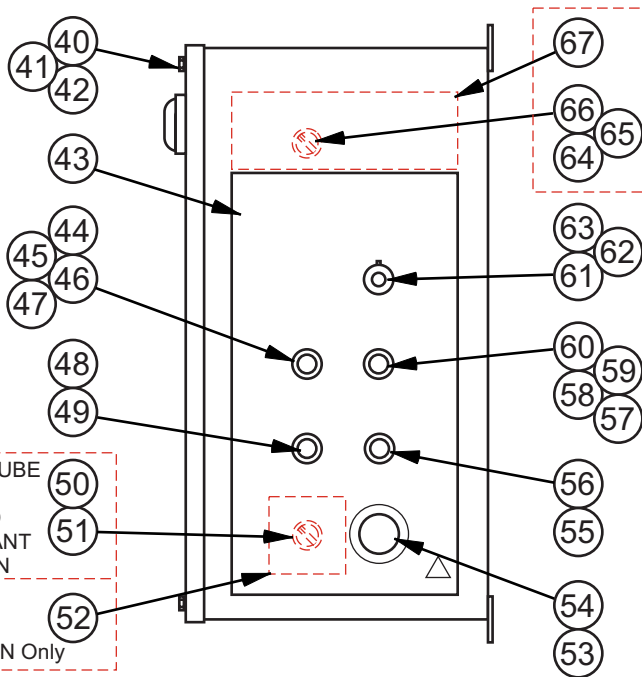
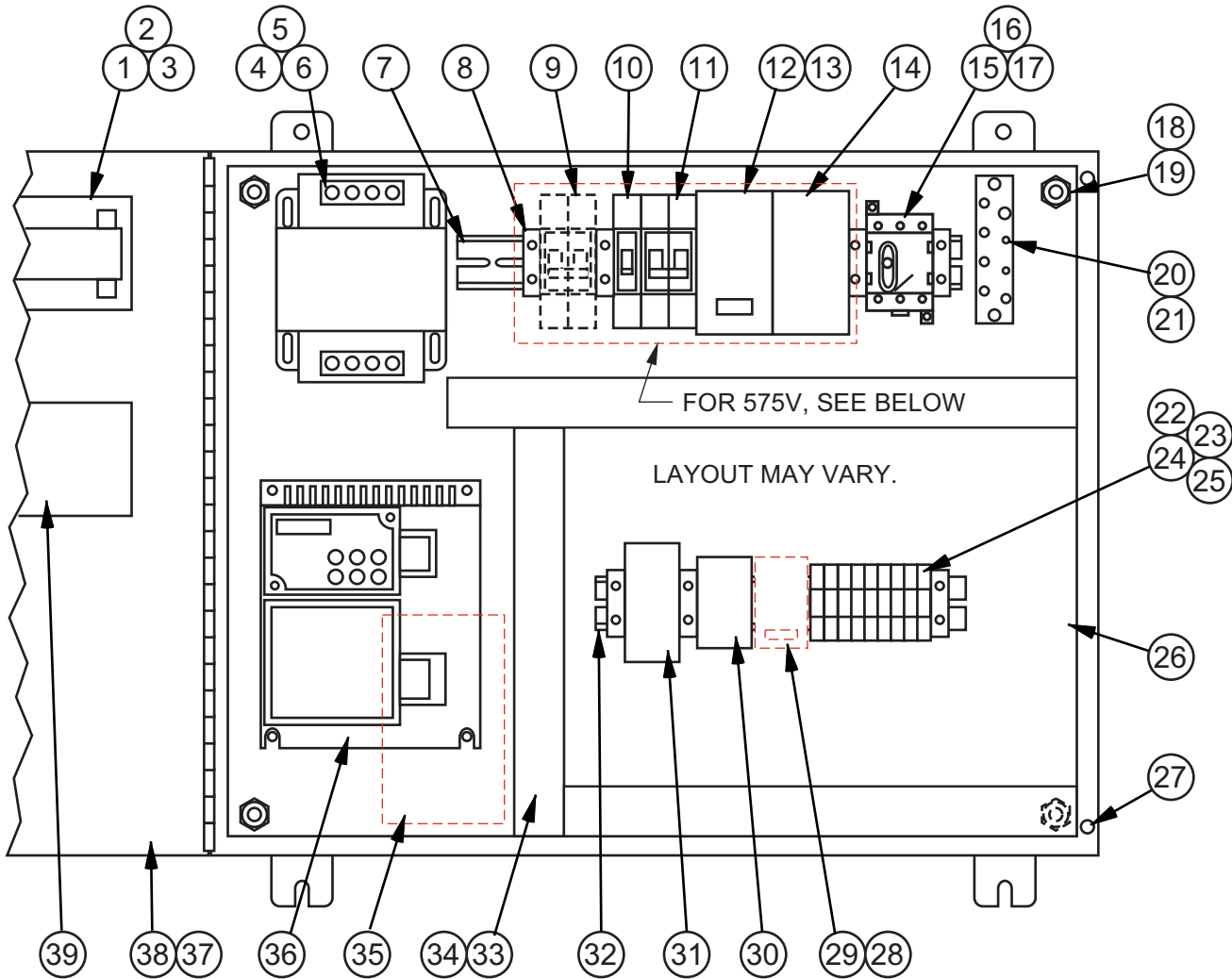
MODEL FIRST MACH. LAST MACH.
2012-VH 561-03101

ELECTRICAL ASSEMBLY

ELECTRICAL ASSEMBLY

INDEX NO.	PART NO.	DESCRIPTION	UNITS PER ASSY.
Ref.		Electrical Assembly	
1	215624	. Limit Switch (Door Interlock)	1
2	199683	. Screw, Soc. Hd. Cap #6-32NC x 1-1/4	2
3	215619	. Cord Grip Connector (.236-.472)	1
4	221855	. Mounting Bracket (Limit Switch Key)	1
5	221854	. Shim (.032)	A.R.
6	198201	. Screw, Soc. Hd. Cap #4-40NC x 3/8	2
7	199255	. Washer, Flat #4 S.A.E. Std.	2
8	199315	. Washer, Lock #4 Std.	2
9	199106	. Nut, Hex. #4-40NC	2
10	197332	. Electrical Cord (#18-2 Conductor)	A.R.
11	220670	. Worklamp Assembly (Standard Option) (See Detail)	1
	220671	. Worklamp Assembly (Extra Work Height Option) (See Detail)	1
12	221855	. Mounting Bracket (Limit Switch Key)	1
13	216964	. Switch Bracket (Limit Switch)	1
14	198201	. Screw, Soc. Hd. Cap #4-40NC x 3/8	4
15	199255	. Washer, Flat #4 S.A.E. Std.	4
16	199315	. Washer, Lock #4 Std.	4
17	199106	. Nut, Hex. #4-40NC	4
18	215624	. Limit Switch (Door Interlock)	1
19	199683	. Screw, Soc. Hd. Cap #6-32NC x 1-1/4	2
20	215619	. Cord Grip Connector (.236-.472)	1
21	197332	. Electrical Cord (#18-2 Conductor)	A.R.
22	009955	. Hose Clip	3
23	198210	. Screw, Soc. Hd. Cap #8-32NC x 3/8	3
24		. Electrical Control Box Assembly (See Detail)	1
25	198027	. Screw, Hex. Hd. Cap 5/16-18NC x 3/4	2
26	199262	. Washer, Flat 5/16 S.A.E. Std.	2
27	198008	. Screw, Hex. Hd. Cap 1/4-20NC x 3/4	2
28	199321	. Washer, Lock 1/4 Std.	2
29	199260	. Washer, Flat 1/4 S.A.E. Std.	2
30	417838	. Mounting Plate	1
31	201688	. Cord Grip Connector (.200-.394)	1
32	198027	. Screw, Hex. Hd. Cap 5/16-18NC x 3/4	2
33	199262	. Washer, Flat 5/16 S.A.E. Std.	2
34	199122	. Nut, Hex. 5/16-18NC	2
35	199323	. Washer, Lock 5/16 Std.	2
36	017430	. Nylon Clamp (If Supplied)	1
37	198321	. Screw, Button Hd. Soc. #10-24NC x 3/8 (If Supplied)	1
38	016160	. 90° Cord Grip Connector (.500-.625)	1
39	014411	. Flange Washer	1
40	019543	. Bond Nut	1
41	015139	. Cord Grip Connector (.250-.375)	1
42	014411	. Flange Washer	1
43	019543	. Bond Nut	1
44	201687	. Cord Grip Connector (.545-.709)	2
45	197218	. Electrical Cord (#14-4 Conductor)	A.R.
46	201688	. Cord Grip Connector (.200-.394)	2
Ref.	520002	Band Break Switch Assembly (Optional)	
1	197221	. Electrical Cord (#16-4 Conductor)	A.R.
2	010789	. Cord Grip Connector (.375-.500)	2
3	014411	. Flange Washer	2
4	026192	. Limit Switch (Band Break)	1
5	198351	. Screw, Soc. Hd. Cap #8-32NC x 1-1/2	4
		Following Not Shown:	
	009135	. Escutcheon (Limit Switch No.)	2
	199397	. Screw, Rd. Hd. Drive #2 x 1/4	4

NEW DRG.
S.C.L. 7-31-03
REVISIONS
S.C.L. 2-25-04
S.C.L. 8-22-06
S.C.L. 3-17-08
S.C.L. 9-9-09
S.C.L. 9-30-11



FOR 575V MACHINES

MODEL FIRST MACH. LAST MACH.
2012-VH 561-03101

ELECTRICAL CONTROL BOX ASSEMBLY

ELECTRICAL CONTROL BOX ASSEMBLY

INDEX NO.	PART NO.	DESCRIPTION	UNITS PER ASS'Y.	INDEX NO.	PART NO.	DESCRIPTION	UNITS PER ASS'Y.
Ref.		Electrical Control Box Assembly		46	207185	. Contact Block (1-NO)	1
1	208728	. Mounting Bracket	2	47	205115	. Seal Boot	1
2	1003545	. Resistor (40 Ohm) (208V, 220V, 230V)	1	48	207189	. Pushbutton Operator (Red)	1
	1003546	. Resistor (160 Ohm) (400V, 460V)	1	49	207186	. Contact Block (1-NC)	1
	1003547	. Resistor (350 Ohm) (575V)	1	50	207181	. Selector Switch (2 Position) (Mist Lube and Flood Coolant Options)	1
3	208719	. Resistor Cover	1				
4	320079	. Transformer (208V)	1	51	207185	. Contact Block (1-NO) (Mist Lube and Flood Coolant Options)	1
	323468	. Transformer (220V)	1				
	320078	. Transformer (230V, 460V, 575V)	1	52	217373	. Escutcheon (Mist Lube Option Only) ...	1
	320114	. Transformer (230V Flood Coolant)	1	53	207191	. Pushbutton Operator (Red Mushroom)	1
	217753	. Transformer (400V)	1	54	207186	. Contact Block (1-NC)	1
5	199202	. Nut, Hex. M5-0.8	4	55	207189	. Pushbutton Operator (Red)	1
6	199348	. Washer, Lock M5	4	56	207186	. Contact Block (1-NC)	1
7	169674	. Mounting Channel	A.R.	57	207192	. Pushbutton Operator (Illuminous Green)	1
8	200618	. End Stop	3	58	207193	. Power Supply	1
9	1007405	. Circuit Breaker (Buttwelder Option)	1	59	207185	. Contact Block (1-NO)	1
10	420356	. Circuit Breaker (208V, 220V, 230V, 460V)	1	60	205115	. Seal Boot	1
	42059	. Circuit Breaker (230V Flood Coolant) ..	1	61	178146	. Knob	1
	420358	. Circuit Breaker (400V)	1	62	223553	. Potentiometer (Mitsubishi VFDs)	1
11	1007400	. Circuit Breaker (208V, 400V)	1		178275	. Potentiometer (All Other VFDs)	1
	1007399	. Circuit Breaker (220V, 230V)	1	63	203732	. Potentiometer Operator Kit	1
	1007401	. Circuit Breaker (230V Flood Coolant) ..	1	64	207182	. Selector Switch (3 Position) (Foot Switch Option)	1
	1007397	. Circuit Breaker (460V)	1				
12	220644	. Motor Starter Protector (208V, 220V, 230V)	1	65	207185	. Contact Block (1-NO) (Foot Switch Option)	1
	220642	. Motor Starter Protector (400V, 460V) ..	1	66	207186	. Contact Block (1-NC) (Foot Switch Option)	1
	220654	. Auxiliary Contact	1	67	419988	. Escutcheon (Foot Switch Option)	1
13	220648	. Motor Starter Protector (208V, 230V) ..	1				
14	220649	. Motor Starter Protector (220V)	1				
	220647	. Motor Starter Protector (400V, 460V) ..	1				
15*	1007435	. Disconnect Switch	1				
16*	1007440	. Disconnect Switch Shaft	1				
17*	1007439	. Disconnect Switch Handle	1				
18	199126	. Nut, Hex. 3/8-16NC	4				
19	199325	. Washer, Lock 3/8 Std.	4				
20	320740	. Grounding Bus	1				
21	141639	. Wire Terminal Lug	1				
22	200615	. Terminal Block (Gray)	9				
23	200617	. End Section	2				
24	200618	. End Stop	3				
25	200994	. Terminal Block Marker Set	A.R.				
26	520141	. Control Panel	1				
27	207525	. Rivet Nut M6-1.0	2				
28	220233	. Control Relay (575V Only If Supplied) ..	1				
29	220234	. Suppressor (575V Only If Supplied)	1				
30	207200	. Control Relay	1				
31	207207	. Magnetic Contactor	1				
32	169674	. Mounting Channel	A.R.				
33	197208	. 1" Wiring Channel	A.R.				
34	197210	. 1" Wiring Channel Cover	A.R.				
35	221312	. Dynamic Brake Module (575V Only If Supplied)	1				
36	1009580	. Variable Speed Controller (208V, 220V, 230V)	1				
	1009581	. Variable Speed Controller (400V, 460V) ..	1				
	1001718	. Variable Speed Controller (575V)	1				
	222877	. Line Reactor (575V Only)	1				
37	522120	. Enclosure Weldment	1				
38	203925	. Gasket Strip	A.R.				
39	324166	. Fuse/Overload Schedule	1				
	225265	. CB and MSP Schedule (Flood Coolant)	1				
40	207523	. Screw, Hex. Hd. Slotted M6-1.0 x 20 ...	2				
41	204153	. Nylon Washer	2				
42	204151	. Retainer	2				
43	324380	. Escutcheon	1				
	326122	. Escutcheon (Flood Coolant Option)	1				
44	207192	. Pushbutton Operator (Illuminous Green)	1				
45	207193	. Power Supply	1				

For 575V Machines:

70	215212	. Fuse Block (Buttwelder Option)	2
71	203614	. Fuse (8 Amp) (Buttwelder Option)	2
72	420356	. Circuit Breaker	1
73	215212	. Fuse Block	2
74	203158	. Fuse (1 Amp)	2
75	220645	. Motor Starter Protector	1
76	220654	. Auxiliary Contact	1
77	215213	. Fuse Block	1
78	203613	. Fuse (10 Amp)	3

Machines With Worklamp Selector Switch:

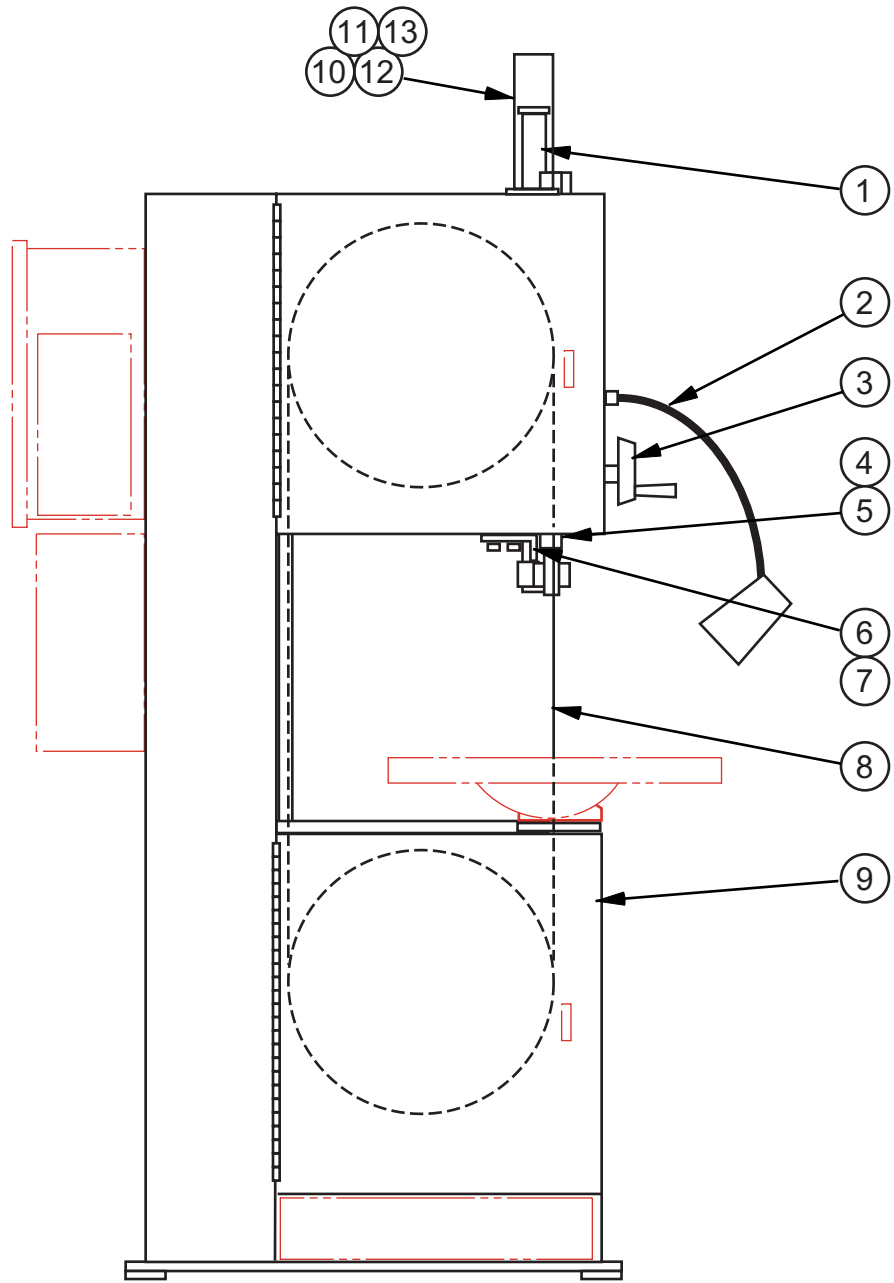
135106	. Hole Seal (Standard)	1
207181	. Selector Switch (2 Position) (Worklamp Option)	1
207185	. Contact Block (1-NO) (Worklamp Option)	1

Not Shown:

1003427	. U.L. Label	1
1012541	. Label (Machine Specifications)	1
197341	. Wire, #12 Black (19 Strand)	A.R.
197186	. Wire, #12 Green/Yellow (19 Strand)	A.R.
197325	. Wire, #16 White (19 Strand)	A.R.
197197	. Wire, #16 Red (19 Strand)	A.R.
197343	. Wire, #16 Green/Yellow (19 Strand)	A.R.

*NOTE: Before Serial #561-09145:
Order Disconnect Switch Service Kit - #1007554.
Otherwise, Use Part Numbers Listed.

NEW DRG.
S.C.L. 7-31-03
REVISIONS
S.C.L. 2-25-04
S.C.L. 8-16-06
S.C.L. 9-11-07
S.C.L. 2-8-08
S.C.L. 8-3-09



MODEL	FIRST MACH.	LAST MACH.
2012-VH	561-03101	
2013-V	571-04101	
2013-V3	572-04101	
2013-V5	573-04101	

EXTRA WORK HEIGHT ASSEMBLY

C - 2 - 119 CM - 2 - 129

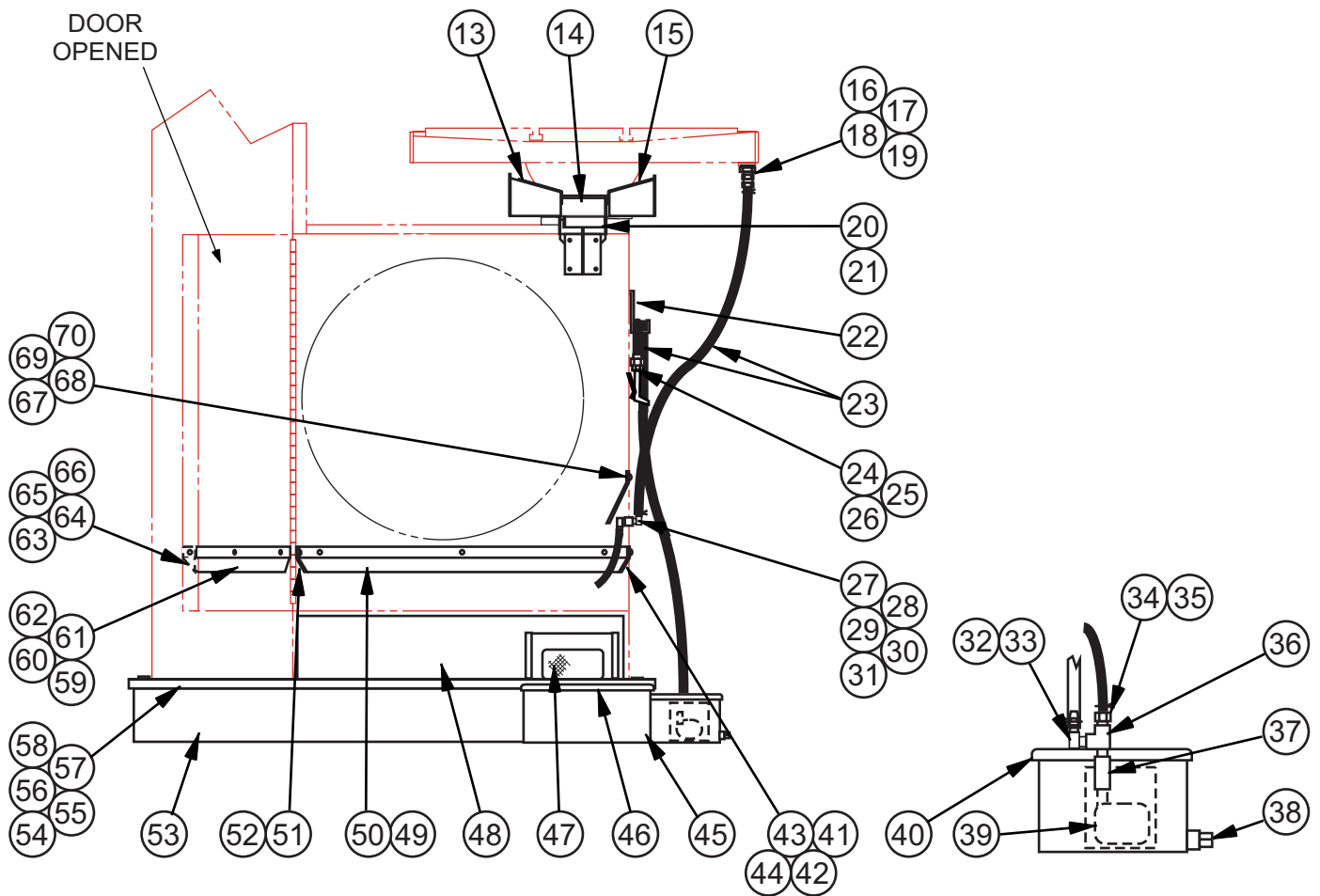
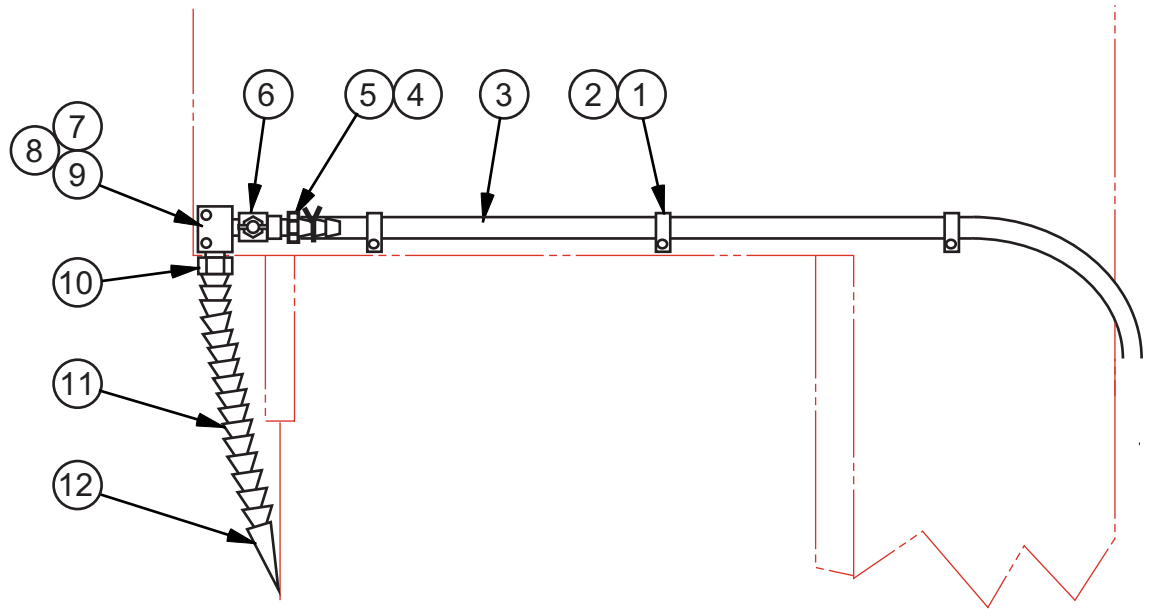
PRINTED IN U.S.A.

EXTRA WORK HEIGHT ASSEMBLY

INDEX NO.	PART NO.	DESCRIPTION	UNITS PER ASS'Y.
Ref.	216820	19" Work Height Assembly (2019-V, 2019-V3, 2019-V5)	
Ref.	220734	18" Work Height Assembly (2018-VH, 2018-D12)	
Ref.	216822	25" Work Height Assembly (2025-V, 2025-V3, 2025-V5)	
Ref.	220735	24" Work Height Assembly (2024-VH, 2024-D12)	
Ref.	216823	31" Work Height Assembly (2031-V, 2031-V3, 2031-V5)	
Ref.	220736	30" Work Height Assembly (2030-VH, 2030-D12)	
1	506149	. Auxiliary Post Support Assembly (Work Heights Over 19") (See Detail)	1
2	220671	. Worklamp Assembly (Optional)	1
3	407860	. Post Elevating Handwheel Assembly (18" and 19" Work Heights) (See Detail)	1
	407729	. Post Elevating Handwheel Assembly (24" and 25" Work Heights) (See Detail)	1
	407618	. Post Elevating Handwheel Assembly (30" and 31" Work Heights) (See Detail)	1
4	306436	. Saw Band Guard Assembly (18" and 19" Work Heights)	1
	306312	. Saw Band Guard Assembly (24" and 25" Work Heights)	1
	305508	. Saw Band Guard Assembly (30" and 31" Work Heights)	1
	316926	. . Guard Weldment (18" and 19" Work Heights)	1
	316927	. . Guard Weldment (24" and 25" Work Heights)	1
	316923	. . Guard Weldment (30" and 31" Work Heights)	1
	316934	. . Guard Slide Cover	1
	133372	. . Thumb Screw	1
5	105304	. Spring Pin (Work Heights Over 19" Only)	1
6*	326503	. Guard Slide (Post) (8-5/8") (V, V3, V5 Only)	1
*	326504	. Guard Slide (Post) (14-5/8") (V, V3, V5 Only)	1
*	326505	. Guard Slide (Post) (20-5/8") (V, V3, V5 Only)	1
*	325695	. Guard Slide (Post) (6-5/8") (VH, D12 Only)	1
*	325696	. Guard Slide (Post) (12-5/8") (VH, D12 Only)	1
*	325697	. Guard Slide (Post) (18-5/8") (VH, D12 Only)	1
7	133372	. Thumb Screw	2
8	171509	. Saw Band (Super Silencer) (18" and 19" Work Heights)	1
	216825	. Saw Band (Super Silencer) (24" and 25" Work Heights) (V, V3, V5 Only)	1
	171510	. Saw Band (Super Silencer) (24" and 25" Work Heights) (VH, D12 Only)	1
	171511	. Saw Band (Super Silencer) (30" and 31" Work Heights)	1
9	220681	. Frame Weldment (18" and 19" Work Heights)	1
	220682	. Frame Weldment (24" and 25" Work Heights)	1
	220683	. Frame Weldment (30" and 31" Work Heights)	1
10	326507	. Post Screw Cover Weldment (24", 25", 30", 31" Post Elevating Handwheel Options)	1
11	198007	. Screw, Hex. Hd. Cap 1/4-20NC x 5/8	4
12	199321	. Washer, Lock 1/4 Std.	4
13	199115	. Nut, Hex. 1/4-20NC	4

*NOTE: Use These Interchangeable Guard Slides When Applicable.
 Be Sure To Use The Guard Slide That Will Cover Exposed Saw Band Completely.

NEW DRG.
S.C.L. 3-28-12
REVISIONS



MODEL FIRST MACH. LAST MACH.
2012-VH 561-12163

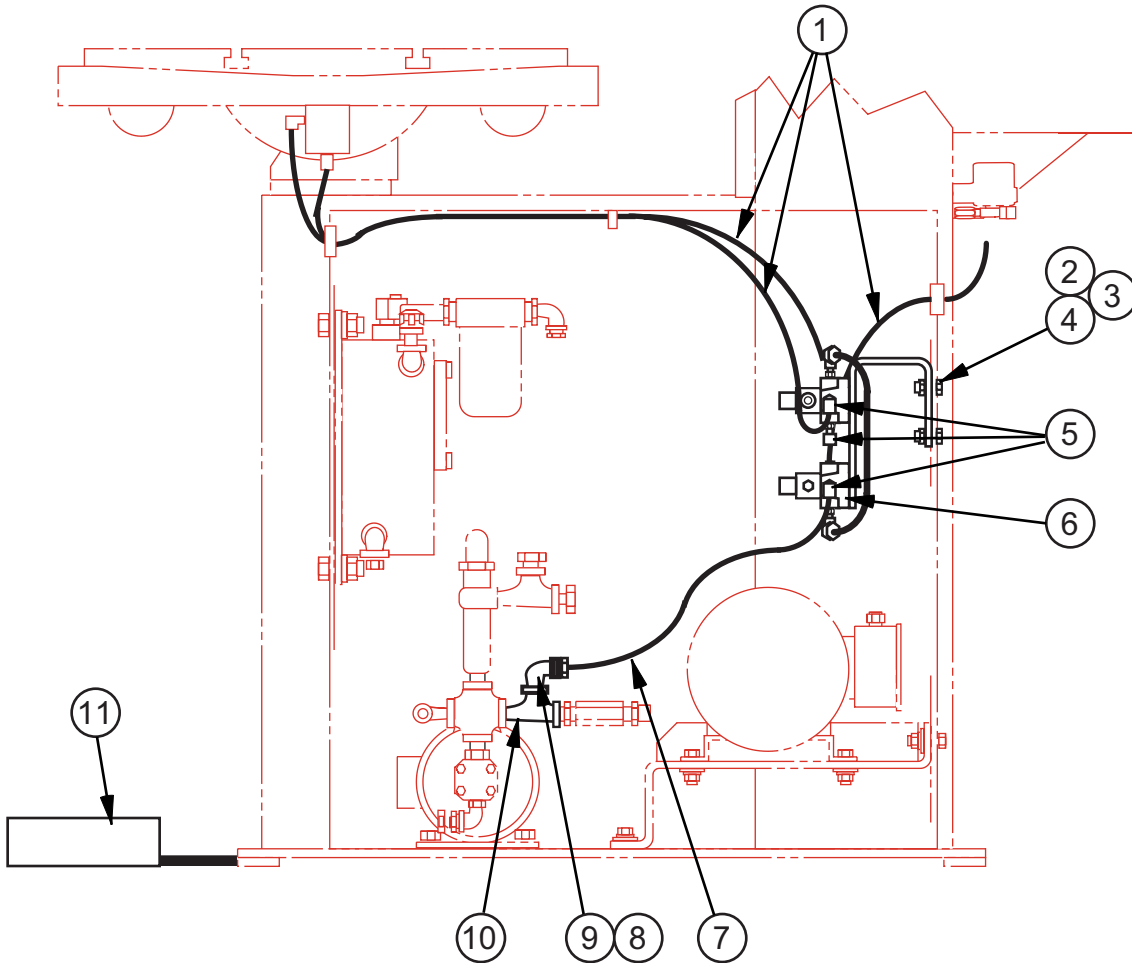
FLOOD COOLANT ASSEMBLY

FLOOD COOLANT ASSEMBLY

INDEX NO.	PART NO.	DESCRIPTION	UNITS PER ASS'Y.	INDEX NO.	PART NO.	DESCRIPTION	UNITS PER ASS'Y.
Ref.	221784	Flood Coolant Assembly		51	326174	. Column Angle	1
1	018172	. Nylon Clamp	7	52	198349	. Screw, Button Hd. Soc. 1/4-20NC x 1/2	2
2	198853	. Screw, Rd. Hd. Mach. #8-32NC x 3/8 ..	5	53	326118	. Riser Tube	2
3	197144	. Plastic Tubing 3/8 O.D. (Clear)	A.R.	54	1000696	. Pan Weldment	1
4	016001	. Barbed Insert	1	55	198071	. Screw, Hex. Hd. Cap 1/2-13NC 2-1/2 ..	4
5	104713	. Hose Clamp	1	56	199131	. Nut, Hex. 1/2-13NC	4
6	120241	. Shut-Off Valve	1	57	199267	. Washer, Flat 5/8 S.A.E.	4
7	119910	. Manifold	1	58	158830	. Rubber Washer	8
8	198227	. Screw, Soc. Hd. Cap #10-24NC x 1-1/2	2	59	326172	. Door Angle	1
9	120369	. Pipe Plug	1	60	198349	. Screw, Button Hd. Soc. 1/4-20NC x 1/2	3
10	172529	. Connector	1	61	199115	. Nut, Hex. 1/4-20NC	3
11	197322	. Segmented Hose (Specify Length)	A.R.	62	199374	. Washer, Lock 1/4 Shakeproof	3
12	172528	. Nozzle	1	63	326193	. Corner Coolant Deflector	1
13	326180	. L.H. Panel Weldment	1	64	198349	. Screw, Button Hd. Soc. 1/4-20NC x 1/2	1
14	421090	. Pan Weldment	1	65	199115	. Nut, Hex. 1/4-20NC	1
15	326181	. R.H. Panel Weldment	1	66	199374	. Washer, Lock 1/4 Shakeproof	1
16	014754	. Reducer Bushing	1	67	421091	. Shield	1
17	5-011517	. Reducer Bushing	1	68	198349	. Screw, Button Hd. Soc. 1/4-20NC x 1/22	
18	002004	. Barbed Insert	1	69	199115	. Nut, Hex. 1/4-20NC	2
19	017902	. Hose Clamp	1	70	199374	. Washer, Lock 1/4 Shakeproof	2
20	421087	. Trough Weldment	1				
21	198349	. Screw, Button Hd. Soc. 1/4-20NC x 1/2	4				
22	316116	. Hook	1				
23	198094	. Neoprene Hose 11/16 O.D. (Black)	A.R.				
24	176420	. Hose Nozzle	1				
25	176816	. Barbed Insert	1				
26	176827	. Hose Clamp	1				
27	203818	. Anchor Connection	1				
28	120389	. 90° Barbed Insert	1				
29	017902	. Hose Clamp	1				
30	133439	. 90° Barbed Insert	1				
31	197144	. Plastic Tubing 3/8 O.D. (Clear)	A.R.				
32	133439	. 90° Barbed Insert	1				
33	104713	. Hose Clamp	1				
34	002004	. Barbed Insert	1				
35	017902	. Hose Clamp	1				
36	120857	. Service Tee	1				
37	204233	. Coupling (Brass)	1				
38	113737	. Pipe Plug	1				
39	110263	. Coolant Pump	1				
40	421058	. Coolant Tank Cover	1				
41	326173	. R.H. Angle Plate	1				
42	198349	. Screw, Button Hd. Soc. 1/4-20NC x 1/2	2				
43	199115	. Nut, Hex. 1/4-20NC	2				
44	199374	. Washer, Lock 1/4 Shakeproof	2				
45	521851	. Coolant Tank Weldment	1				
46	326116	. Coolant Trough Cover	1				
47	013864	. Screen	1				
48	521852	. Chip Box Weldment	1				
49	326171	. Transmission Plate Angle	1				
50	198349	. Screw, Button Hd. Soc. 1/4-20NC x 1/2	3				

Following Not Shown:
 1000728 . Acrylic Table Shield (Optional)..... 2
 218505 . Sealant (For Angles)

NEW DRG. S.C.L. 8-22-06
REVISIONS
S.C.L. 3-17-08
S.C.L. 9-9-09



MODEL 2012-VH SHOWN.

MODEL FIRST MACH. LAST MACH.
 2012-VH 561-03101
 3612-VH 570-04101

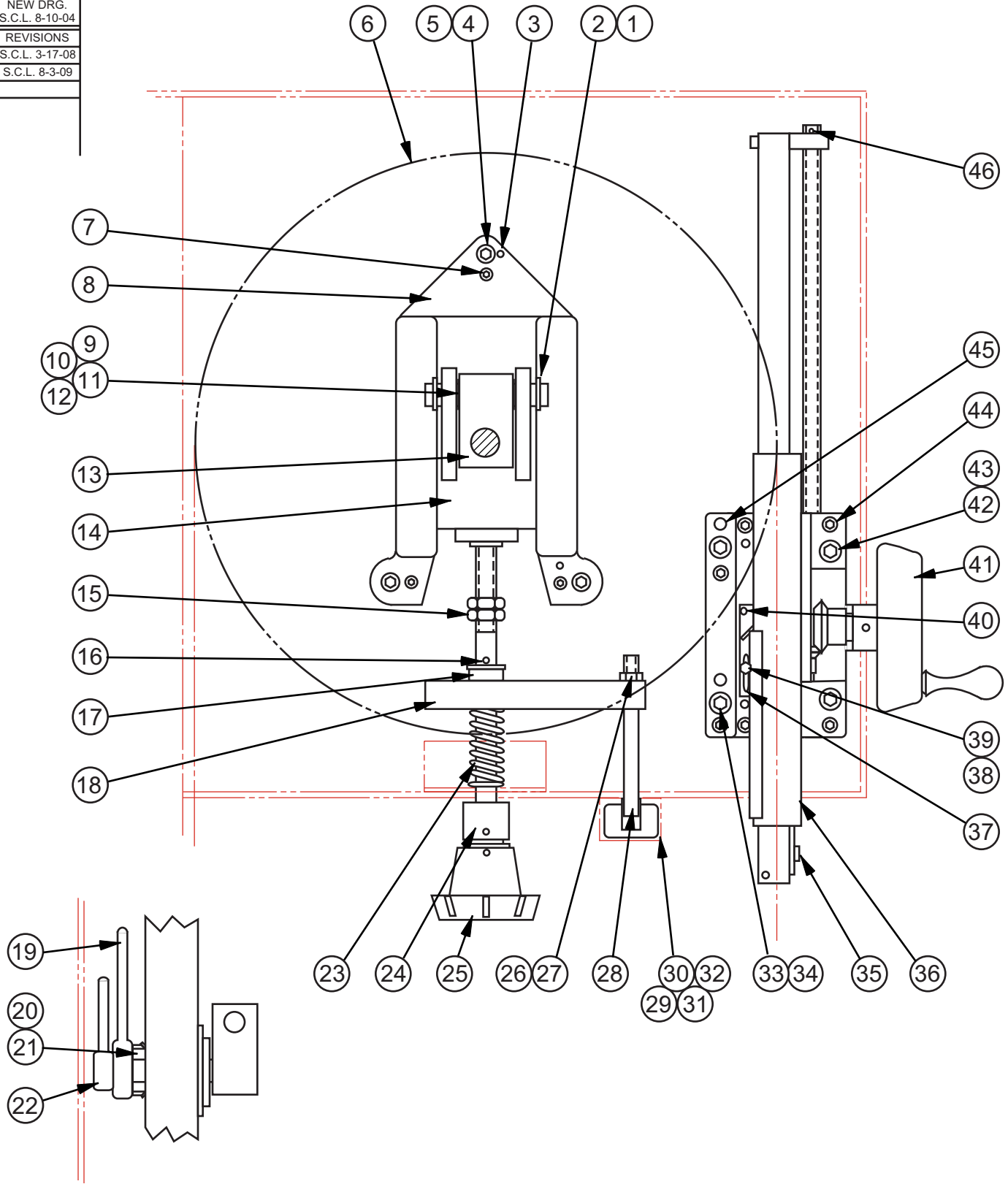
FOOT SWITCH ASSEMBLY (3-WAY)

CM - 9 - 12

FOOT SWITCH ASSEMBLY

INDEX NO. Ref.	PART NO.	DESCRIPTION	UNITS PER ASS'Y.
		Foot Switch Assembly (3-Way)	
1	220746	. Hydraulic Hose	3
2	198027	. Screw, Hex. Hd. Cap 5/16-18NC x 3/4	4
3	199323	. Washer, Lock 5/16 Std.	4
4	199122	. Nut, Hex. 5/16-18NC	4
5	008254	. 90° Street Elbow	5
6	420269	. Valve Manifold Assembly (Foot Switch) (See Detail)	1
7	220746	. Hydraulic Hose	1
8	5-011513	. 90° Street Elbow	1
9	5-011517	. Reducer Bushing	1
10	35-000982	. Service Tee	1
11	132927	. Foot Switch Assembly	1
	132926	. . Foot Switch	1
	129888	. . Escutcheon (Reverse)	1
	129887	. . Escutcheon (Forward)	1
	199396	. . Screw, Rd. Hd Drive #2 x 3/16	8

NEW DRG.
S.C.L. 8-10-04
REVISIONS
S.C.L. 3-17-08
S.C.L. 8-3-09



MODEL FIRST MACH. LAST MACH.
 2012-VH 561-03101
 3612-VH 570-04101

HEAD ASSEMBLY

HEAD ASSEMBLY

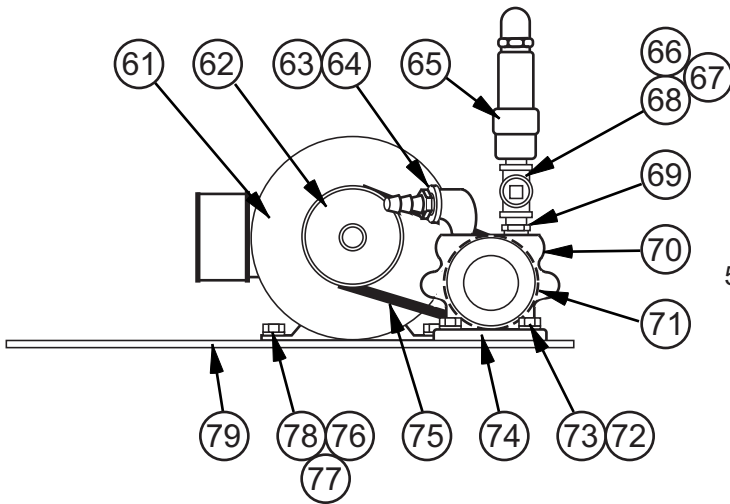
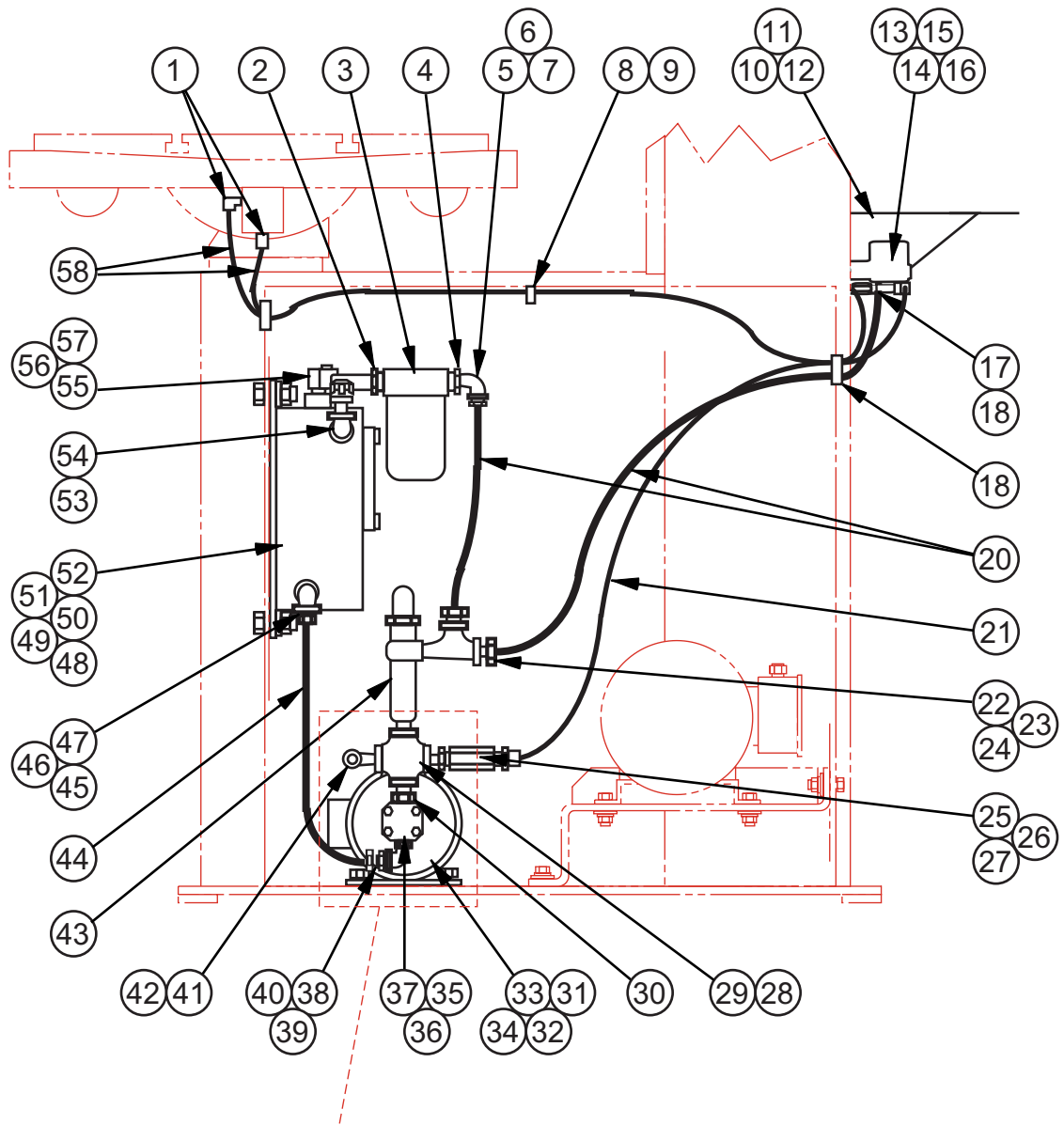
INDEX NO.	PART NO.	DESCRIPTION	UNITS PER ASS'Y.
Ref.	521515	Head Assembly	
1	120627	. Pin	1
2	35-009613	. Retaining Ring	2
3	004265	. Spring Pin	2
4	198264	. Screw, Soc. Hd. Cap 5/16-18NC x 2	3
5	199323	. Washer, Lock 5/16 Std.	3
6	406558	. Bandwheel Assembly (Upper) (See Detail)	1
7	198613	. Screw, Soc. Set 5/16-18NC x 1 (Half Dog Point)	3
8	504621	. Head Casting	1
9	133310	. Shim (.035)	A.R.
10	133311	. Shim (.0149)	A.R.
11	133312	. Shim (.005)	A.R.
12	133313	. Shim (.003)	A.R.
13	302346	. Wheel Hinge Assembly (See Detail)	1
14	407384	. Head Slide Weldment	1
15	199136	. Nut, Hex. Jam 5/18-11NC	2
16	004263	. Spring Pin	1
17	35-008615	. Thrust Ball Bearing	1
18	144060	. Angle	1
19	319252	. Lock Handle	1
20	5-001507	. Bearing Lockwasher	1
21	5-001506	. Bearing Locknut	1
22	319251	. Tilting Screw Handle (w/Stud)	1
23	100405	. Compression Spring	1
24	143397	. Band Tension Screw Assembly	1
	143294 Adaptor	1
	004261 Spring Pin	1
	305918 Screw	1
	6-004415 Set Screw Collar	1
	198424 Screw, Soc. Set 1/4-20NC x 3/8	1
25	009400	. Knob Assembly	1
	023916 Knob	1
	004792 Steel Ball	1
	113766 Spring	1
26	199123	. Nut, Hex. Jam 5/16-18NC	2
27	163080	. Retaining Compound (Loctite #271)	A.R.
28	142250	. Band Tension Pointer	1
29	139122	. Bracket (If Not Weded)	1
30	199465	. Screw, Rd. Hd. Self-Tap #10-24NC x 3/8	2
31	199320	. Washer, Lock #10 Std.	2
32	161533	. Escutcheon (Band Tension) (Inch/English)	1
	131424	. Escutcheon (Band Tension) (Metric/International)	1
33	198281	. Screw, Soc. Hd. Cap 3/8-16NC x 1-1/2	2
34	199325	. Washer, Lock 3/8 Std.	2
35	198698	. Screw, Fill. Hd. Mach. #10-24NC x 1/2	2
36*	306057	. Saw Band Guard Assembly (Standard)	1
	316925 Guard Weldment	1
	316934 Guard Slide Cover	1
	133372 Thumb Screw	1
37	142425	. Guard Stop Assembly	1
38	198000	. Screw, Hex. Hd. Cap #10-24NC x 3/8	1
39	199258	. Washer, Flat #10 S.A.E. Std.	1
40	004223	. Spring Pin	1
41*	404971	. Post Elevating Handwheel Assembly (Standard) (See Detail)	1
42	198287	. Screw, Soc. Hd. Cap 3/8-16NC x 3	2
43	005150	. Washer, Lock 3/8 Hi-Collar	2
44	198459	. Screw, Soc. Set 3/8-24NF x 1	4
45	013122	. Dowel Pin	2
46	004231	. Spring Pin	1

*NOTE: Also See Extra Work Height Assembly If Applicable.

Following Not Shown:

148368	. Escutcheon (Post Elevating) (International)	1
199396	. Screw, Rd. Hd. Drive #2 x 3/16	3

NEW DRG.
S.C.L. 8-15-03
REVISIONS
S.C.L. 2-25-04
S.C.L. 8-22-06
S.C.L. 3-17-08
S.C.L. 9-9-09
S.C.L. 2-1-12



575V MACHINES
ONLY

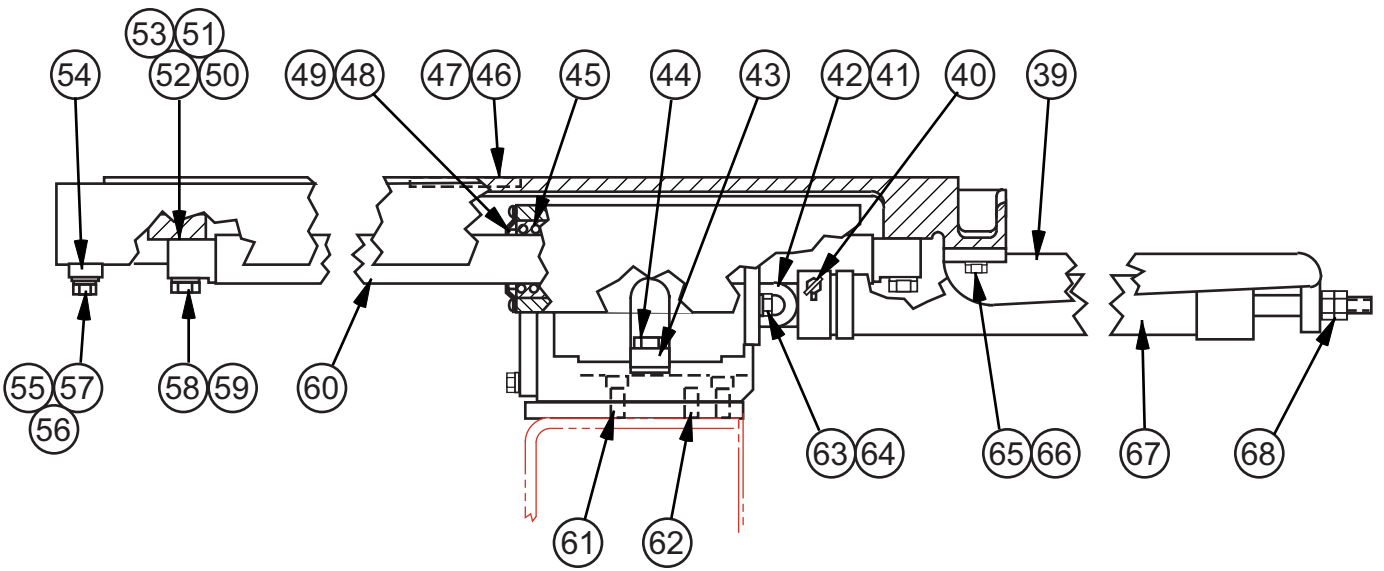
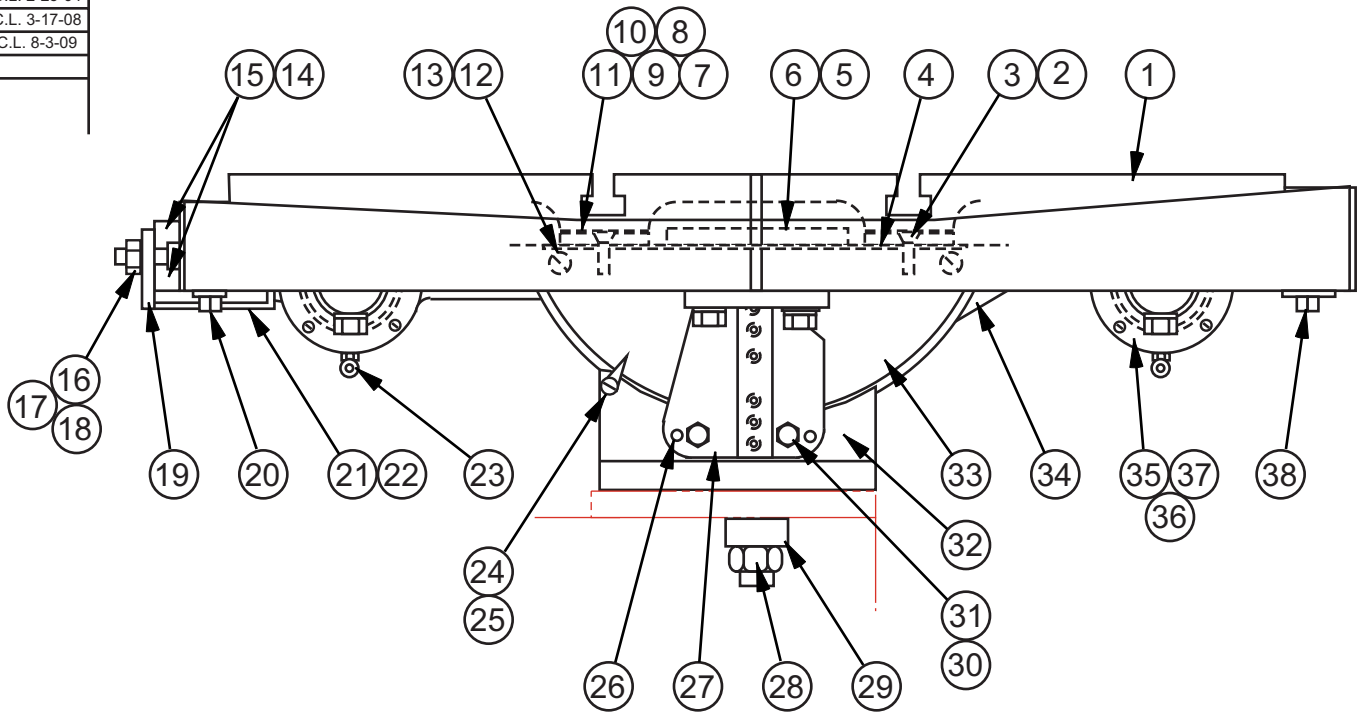
MODEL FIRST MACH. LAST MACH.
2012-VH 561-03101

HYDRAULIC ASSEMBLY

HYDRAULIC ASSEMBLY

INDEX NO.	PART NO.	DESCRIPTION	UNITS PER ASS'Y.	INDEX NO.	PART NO.	DESCRIPTION	UNITS PER ASS'Y.
Ref.	1013538	Hydraulic Assembly		52	974291	. Sight Gage	1
Ref.	1013539	Hydraulic Assembly (575V Only)		53	002973	. 90° Street Elbow	1
1	105053	. 90° Street Elbow	2	54	600100	. Filter Breather	1
2	35-003509	. Reducer Bushing	1	55	133540	. Street Tee	1
3	202652	. Oil Filter (Fairey Arlon)	1	56	113737	. Pipe Plug	1
	202653	. . Filter Element	1	57	14-011545	. Pipe Nipple	1
4	017546	. Reducer Bushing	1	58	220746	. Hydraulic Hose	2
5	601709	. 90° Street Elbow	1	For 575V Machines Only:			
6	014928	. Barbed Insert	1	61	209622	. Electric Motor (2 H.P.)	1
7	017902	. Hose Clamp	1	62	322012	. Motor Pulley	1
8	206222	. Tube Clip	1	63	120904	. Barbed Insert	1
9	198005	. Screw, Hex. Hd. Cap 1/4-20NC x 3/8 ..	1	64	14-000347	. 90° Street Elbow	1
10	521467	. Mounting Bracket	1	65	123783	. Relief Valve	1
11	198007	. Screw, Hex. Hd. Cap 1/4-20NC x 5/8 ..	2	66	002028	. Pipe Cross	1
12	199321	. Washer, Lock 1/4 Std.	2	67	35-001127	. Close Nipple	2
13	043323	. Table Control Valve Assembly (See Detail)	1	68	6-033518	. Pipe Plug	1
14	198007	. Screw, Hex. Hd. Cap 1/4-20NC x 5/8 ..	4	69	114878	. Reducer Bushing	1
15	199321	. Washer, Lock 1/4 Std.	4	70	219304	. Hydraulic Gear Pump	1
16	199115	. Nut, Hex. 1/4-20NC	4	71	002052	. Pulley	1
17	014928	. Barbed Insert	1	72	198007	. Screw, Hex. Hd. Cap 1/4-20NC x 5/8 ..	2
18	017902	. Hose Clamp	1	73	199321	. Washer, Lock 1/4 Std.	2
19	197022	. Nylon Edging	A.R.	74	325389	. Pump Mounting Bracket	1
20	197094	. Neoprene Hose 11/16 O.D. (Black)	A.R.	75	005209	. V-Belt	1
21	220746	. Hydraulic Hose	1	76	198029	. Srew, Hex. Hd. Cap 5/16-18NC x 1	4
22	35-000982	. Service Tee	1	77	199301	. Washer, Flat 5/16 Wrought	4
23	014928	. Barbed Insert	1	78	205688	. IVibration Isolator	4
24	017902	. Hose Clamp	1	79	418921	. Motor Base Plate	1
25	5-011517	. Reducer Bushing	1	Folowing Not Shown:			
26	14-003507	. Close Nipple	1	106966	. Cable Tie.....	A.R.	
27	303418	. Orifice (.0625) (If Supplied)	1	203101	. Instruction Tag (Replace Plug...)	1	
28	002028	. Pipe Cross	1	201030	. Automatic Transmission Fluid	A.R.	
29	35-001127	. Close Nipple	1	201180	. Label (ATF Specifications)	1	
30	601369	. Pipe Adaptor	1				
31	221031	. Electric Motor (.25 H.P.)	1				
32	198027	. Srew, Hex. Hd. Cap 5/16-18NC x 3/4 ..	4				
33	199262	. Washer, Flat 5/16 S.A.E. Std.	4				
34	199323	. Washer, Lock 5/16 Std.	4				
35	610173	. Gear Pump	1				
36	198184	. Screw, Hex. Hd. Cap 3/8-16NC x 1	2				
37	199325	. Washer, Lock 3/8 Std.	2				
38	601365	. 90° Street Elbow	1				
39	120904	. Barbed Insert	1				
40	121288	. Hose Clamp	1				
41	601709	. 90° Street Elbow	1				
42	6-033518	. Pipe Plug	1				
43	123783	. Relief Valve	1				
44	197094	. Neoprene Hose 11/16 O.D. (Black)	A.R.				
45	14-000347	. 90° Street Elbow	1				
46	120904	. Barbed Insert	1				
47	121288	. Hose Clamp	1				
48	967683	. Reservoir Weldment	1				
49	198027	. Screw, Hex. Hd. Cap 5/16-18NC x 3/4	4				
50	199122	. Nut, Hex. 5/16-18NC	4				
51	199323	. Washer, Lock 5/16 Std.	4				

NEW DRG.
S.C.L. 7-30-03
REVISIONS
S.C.L. 2-25-04
S.C.L. 3-17-08
S.C.L. 8-3-09



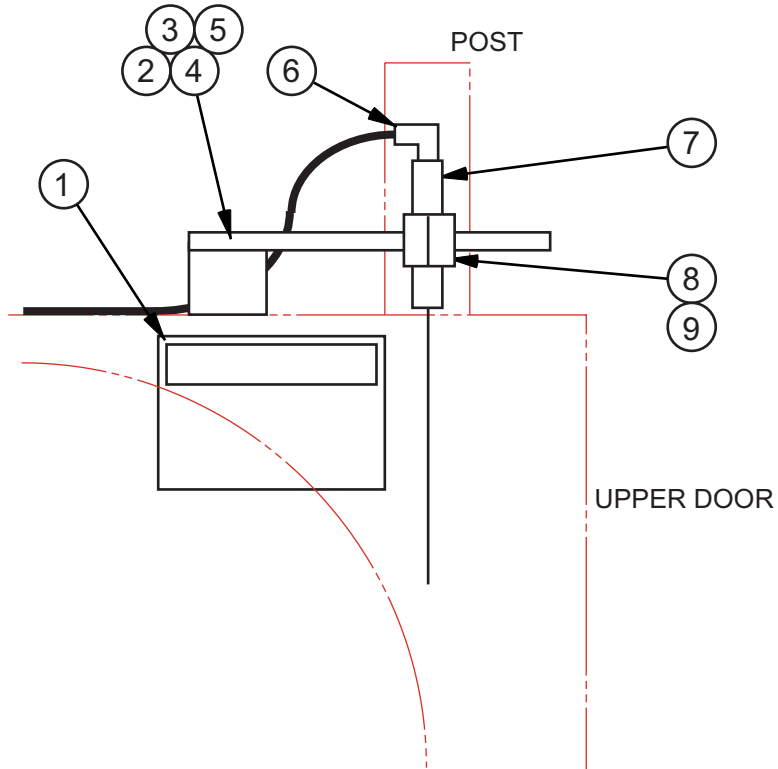
MODEL FIRST MACH. LAST MACH.
 2012-VH 561-03101
 3612-VH 570-04101

HYDRAULIC TABLE ASSEMBLY

HYDRAULIC TABLE ASSEMBLY

INDEX NO.	PART NO.	DESCRIPTION	UNITS PER ASS'Y.	INDEX NO.	PART NO.	DESCRIPTION	UNITS PER ASS'Y.
Ref.	220747	Hydraulic Table Assembly		46	010490	. Center Plate	1
Ref.	220748	Hydraulic Table Assembly (18" Stroke Option)		47	004209	. Spring Pin	1
1	501380	. Table	1	48	165507	. Rod Wiper	4
	518044	. Table (18" Stroke Option)	1	49	260468	. O-Ring	4
2	034229	. Way Bar	4	50	133310	. Shim (.035)	A.R.
3	198320	. Screw, Flat Hd. Soc. 1/4-20NC x 3/4 ...	4	51	133311	. Shim (.0149)	A.R.
4	034212	. Cover	1	52	133312	. Shim (.005)	A.R.
5	041072	. Pan	1	53	133313	. Shim (.003)	A.R.
	518292	. Sliding Pan Assembly (18" Stroke Option)	1	54	004599	. Clamp	1
6	198867	. Screw, Rd. Hd. Mach. #10-24NC x 3/8	4	55	198046	. Screw, Hex. Hd. Cap 3/8-16NC x 1	2
7	111552	. Shim (.003)	A.R.	56	199325	. Washer, Lock 3/8 Std.	2
8	111553	. Shim (.005)	A.R.	57	199264	. Washer, Flat 3/8 S.A.E. Std.	1
9	111554	. Shim (.008)	A.R.	58	198069	. Screw, Hex. Hd. Cap 1/2-13NC x 2	4
10	111555	. Shim (.0149)	A.R.	59	199327	. Washer, Lock 1/2 Std.	4
11	111556	. Shim (.002)	A.R.	60	021612	. Guide Rod	2
12	198893	. Screw, Rd. Hd. Mach. 1/4-20NC x 3/8	2		321738	. Guide Rod (18" Stroke Option)	2
13	199356	. Washer, Lock 1/4 Shakeproof	2	61	198291	. Screw, Soc. Hd. Cap 1/2-13NC x 3/4 ...	4
14	023967	. Slide Bar	2	62	35-000445	. Dowel Pin (1-1/2" Long)	1
	321369	. Slide Bar (18" Stroke Option)	2		016351	. Dowel Pin (1" Long)	1
15	198221	. Screw, Soc. Hd. Cap #10-24NC x 5/8	10	63	198027	. Screw, Hex. Hd. Cap 5/16-18NC x 3/4	2
16	009392	. T-Bolt 5/16-18NC	2	64	199323	. Washer, Lock 5/16 Std.	2
17	199323	. Washer, Lock 5/16 Std.	2	65	198044	. Screw, Hex. Hd. Cap 3/8-16NC x 3/4 ..	4
18	199122	. Nut, Hex. 5/16-18NC	2	66	199325	. Washer, Lock 3/8 Std.	2
19	009504	. Dog	2	67	325801	. Table Feed Cylinder	1
20	6-033518	. Pipe Plug	1		325802	. Table Feed Cylinder (18" Stroke Option)	1
21	009503	. Stop	1	68	199134	. Nut, Hex. Jam 1/2-20NF	2
22	198895	. Screw, Rd. Hd. Mach. 1/4-20NC x 1/2	2				
23	008790	. 90° Grease Fitting	2				
24	34-003315	. Pointer	1				
25	198838	. Screw, Rd. Hd. Mach. #6-32NC x 1/4 ..	1				
26	133875	. Dowel Pin	2				
27	024241	. Keeper Block	1				
28	199141	. Nut, Hex. 3/4-16NF	1				
29	010501	. Spacer	1				
30	198047	. Screw, Hex. Hd. Cap 3/8-16NC x 1-1/4	2				
31	199325	. Washer, Lock 3/8 Std.	2				
32	040903	. Cradle	1				
33	021621	. Trunnion Plate	1				
34	050791	. Trunnion	1				
35	005176	. Retainer	4				
36	198867	. Screw, Rd. Hd. Mach. #10-24NC x 3/8	16				
37	199319	. Washer, Lock #10 Std.	16				
38	35-006580	. Pipe Plug	1				
39	041061	. Cylinder Bracket	1				
	418499	. Cylinder Bracket Weldment (18" Stroke Option)	1				
40	110063	. Drain Valve	1				
41	021594	. Swivel Base	1				
42	005130	. Pin	1				
43	039464	. Head	1				
44	198106	. Screw, Hex. Hd. Cap 3/4-16NF x 5	1				
45	003647	. Ball Bushing	4				

NEW DRG. S.C.L. 3-17-09
REVISIONS



MODEL	FIRST MACH.	LAST MACH.
2012-VH	561-03101	
ZV-3620	565-03101	
3613-V3	568-04101	
3613-V5	569-04101	
3612-VH	570-04101	
2013-V	571-04101	
2013-V3	572-04101	
2013-V5	573-04101	
3613-1	577-04101	
2012-D12	584-08101	

LASER LINE GENERATOR ASSEMBLY

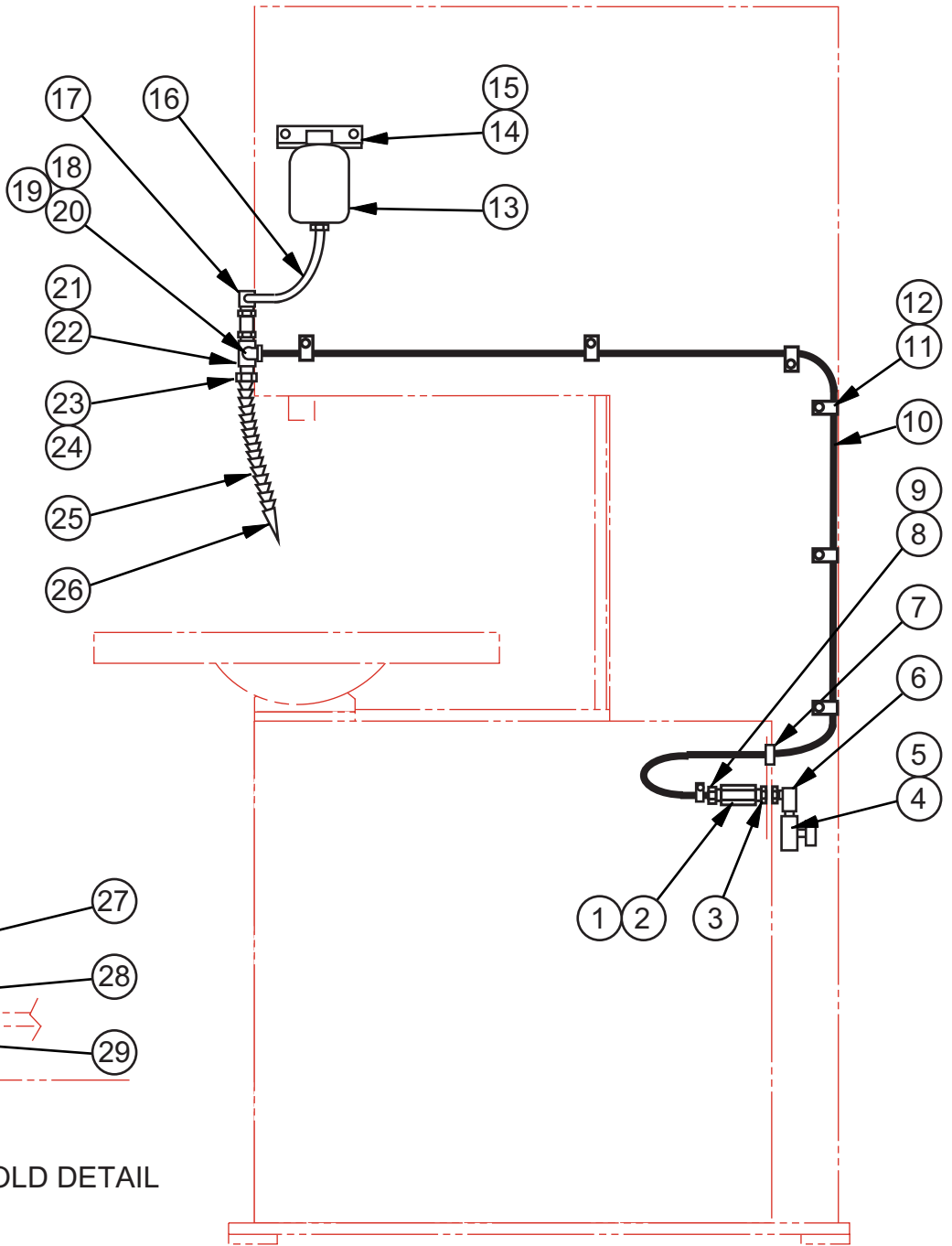
C - 10 - 65 CM - 10 - 45 Z - 10 - 33

PRINTED IN U.S.A.

LASER LINE GENERATOR ASSEMBLY

INDEX NO. Ref.	PART NO.	DESCRIPTION	UNITS PER ASS'Y.
		Laser Line Generator Assembly	
1	212884	. Label (Caution - Laser)	1
2	326740	. Laser Mounting Bracket Weldment	1
	322740	. Laser Mounting Bracket Weldment (ZV-3620 Only)	1
3	199923	. Screw, Soc. Hd. Cap M6-1.0 x 10	2
4	199965	. Washer, Flat M6	2
5	199347	. Washer, Lock M6	2
6	222859	. Laser Cordset	1
7	223548	. Laser Line Generator (Red) (24VDC)	1
8	322650	. Laser Holder	1
9	199993	. Screw, Soc. Hd. Cap M6-1.0 x 20	2

NEW DRG.
S.C.L.10-17-97
REVISIONS
S.C.L. 2-25-04
S.C.L. 3-17-08
S.C.L. 9-9-09



COOLANT MANIFOLD DETAIL

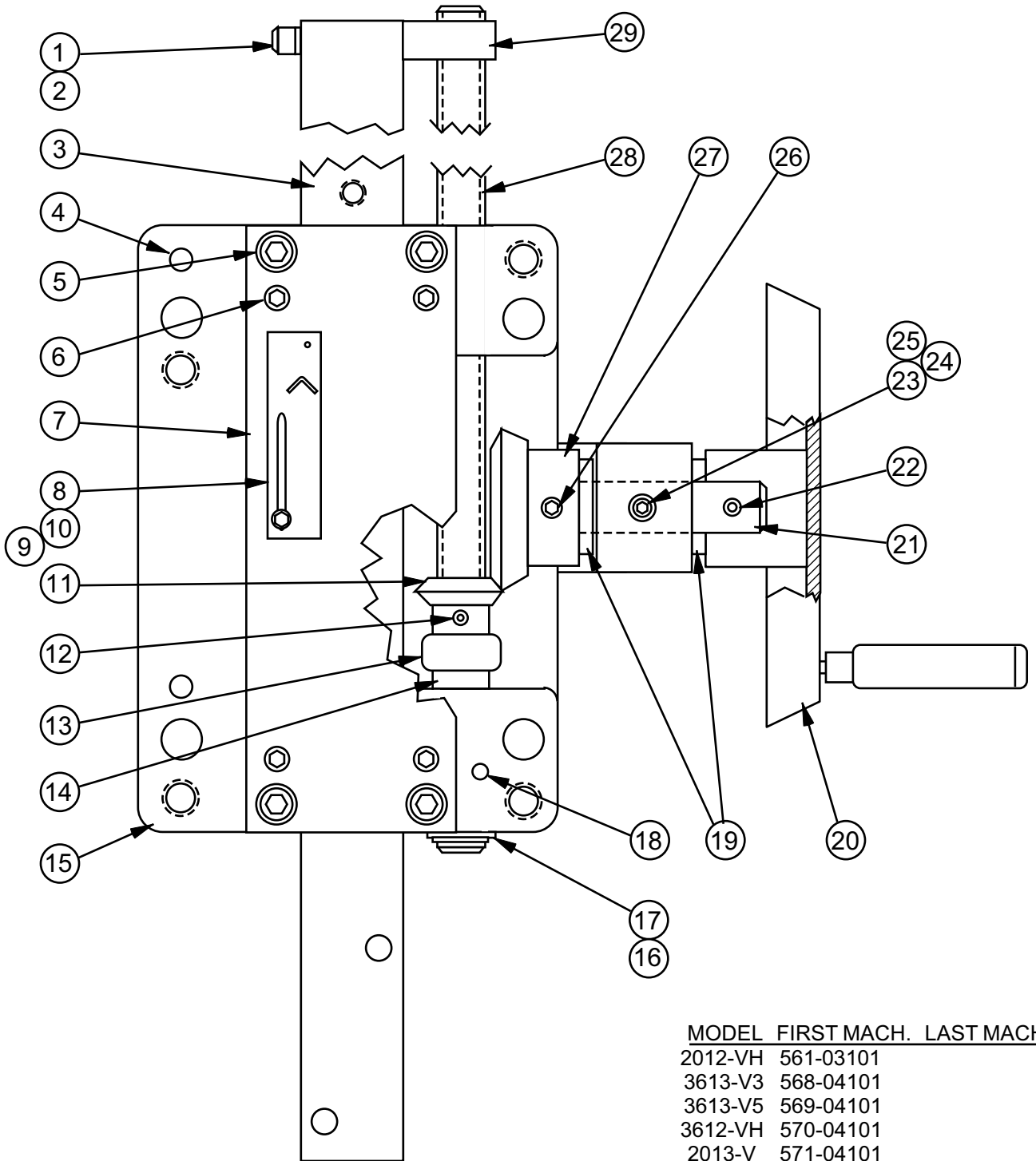
MODEL FIRST MACH. LAST MACH.
2012-VH 561-03101

MIST COOLANT ASSEMBLY

MIST COOLANT ASSEMBLY

INDEX NO.	PART NO.	DESCRIPTION	UNITS PER ASS'Y.
Ref.	519500	Mist Coolant Assembly	
1	319526	. Orifice (.038 Dia.) (Brass)	1
2	201746	. Close Nipple (Brass)	1
3	203818	. Anchor Connection	1
4	178934	. Ball Valve	1
5	201746	. Close Nipple (Brass)	1
6	008254	. 90° Street Elbow	1
7	006803	. Grommet	1
8	002004	. Barbed Insert	1
9	35-006888	. Hose Clamp	2
10	197094	. Neoprene Hose 11/16 O.D. (Black)	A.R.
11	115652	. Tubing Clamp	6
12	199484	. Screw, Rd. Hd. Self-Tap 1/4-20NC x 1/2	6
13	136918	. Bottle Assembly	1
14	303956	. Bracket	1
15	199484	. Screw, Rd. Hd. Self-Tap 1/4-20NC x 1/2	2
16	197144	. Plastic Tubing 3/8 O.D. (Clear)	A.R.
17	108116	. 90° Barbed Insert	1
18	5-027506	. 90° Street Elbow	1
19	128179	. Barbed Insert	1
20	017902	. Hose Clamp	1
21	199483	. Screw, Rd. Hd. Mach. #10-24NC x 1-1/2	2
22	038303	. Coolant Manifold Assembly (Standard)	1
	038304	. Coolant Manifold Assembly (18" Work Height)	1
	307334	. Coolant Manifold Assembly (24" Work Height)	1
	311565	. Coolant Manifold Assembly (30" Work Height)	1
23	172530	. . Coolant And Air Hose (Standard)	1
	172531	. . Coolant And Air Hose (18" Work Height)	1
	172532	. . Coolant And Air Hose (24" Work Height)	1
	172533	. . Coolant And Air Hose (30" Work Height)	1
24	172529	. . . Connector	1
25	197322	. . . Segmented Hose (Specify Length)	A.R.
26	172528	. . . Nozzle	1
27	5-027507	. . Sight Feed Valve	1
28	119910	. . Manifold	1
29	121061	. . Coolant Tube Assembly (Cut to Length)	1
	197140	. . . Nylon Tubing .089 O.D. (Specify Length)	A.R.
	136893	. . . Glue (Meta Grip #3802)	A.R.
	119912	. . . Pipe Plug	1

NEW DRG.
S.C.L. 2-25-04
REVISIONS
S.C.L. 8-16-06
S.C.L. 4-4-07
S.C.L. 2-11-08
S.C.L. 9-9-09



MODEL	FIRST MACH.	LAST MACH.
2012-VH	561-03101	
3613-V3	568-04101	
3613-V5	569-04101	
3612-VH	570-04101	
2013-V	571-04101	
2013-V3	572-04101	
2013-V5	573-04101	
3613-1	577-04101	
2012-D12	584-08101	
2613-V3	589-09101	

POST ELEVATING HANDWHEEL ASSEMBLY

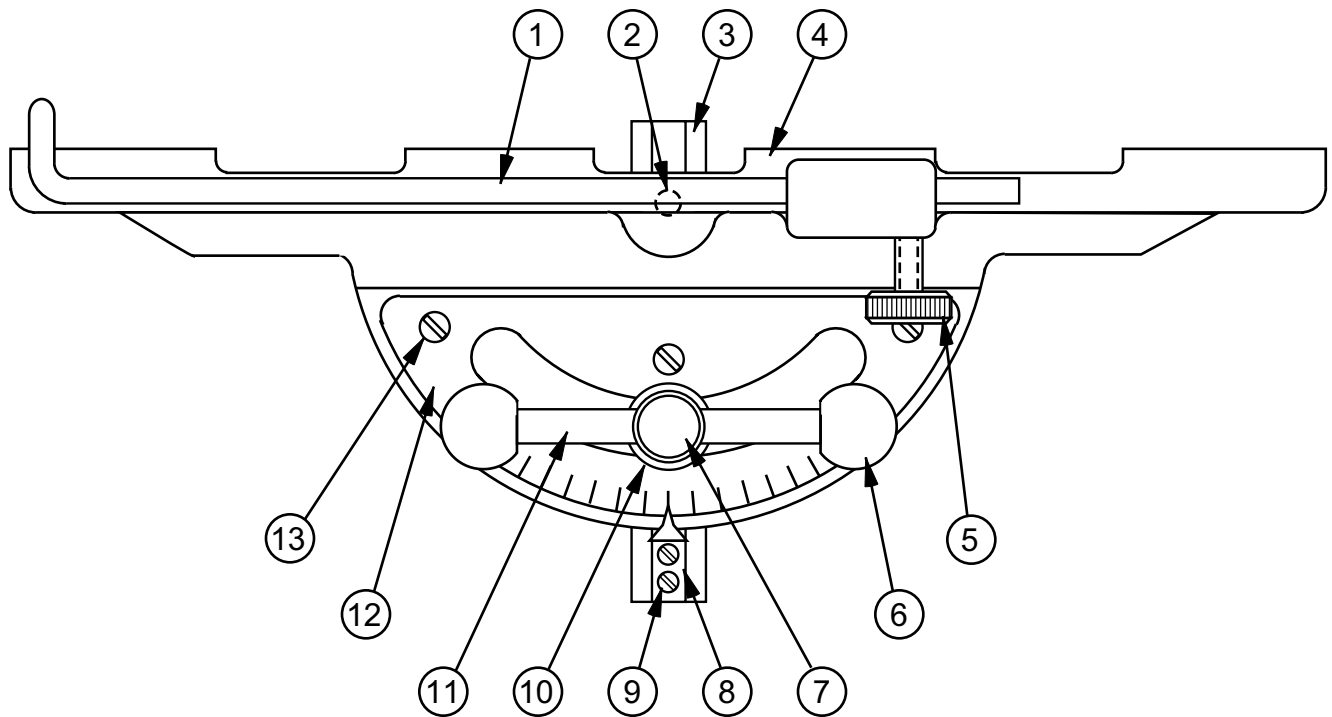
C - 2 - 116 CM - 2 - 130

PRINTED IN U.S.A.

POST ELEVATING HANDWHEEL ASSEMBLY

INDEX NO.	PART NO.	DESCRIPTION	UNITS PER ASS'Y.
Ref.	404971	Post Elevating Handwheel Assembly (Standard)	
Ref.	407860	Post Elevating Handwheel Assembly (18" and 19" Work Heights)	
Ref.	407729	Post Elevating Handwheel Assembly (24" and 25" Work Heights)	
Ref.	407618	Post Elevating Handwheel Assembly (30" and 31" Work Heights)	
1	198245	. Screw, Soc. Hd. Cap 1/4-20NC x 1-1/2	2
2	199374	. Washer, Lock 1/4 Shakeproof	2
3	303029	. Post (25.94") (Standard)	1
	306242	. Post (31.94") (18" and 19" Work Heights)	1
	306243	. Post (37.94") (24" and 25" Work Heights)	1
	306244	. Post (43.94") (30" and 31" Work Heights)	1
4	013122	. Dowel Pin	2
5	198242	. Screw, Soc. Hd. Cap 1/4-20NC x 1	4
6	198576	. Screw, Soc. Set 5/16-18NC x 3/4 (Flat Pt.)	4
7	303030	. Cover	1
8	142425	. Guard Stop Weldment	1
9	198000	. Screw, Hex. Hd. Cap #10-24NC x 3/8	1
10	199258	. Washer, Lock #10 S.A.E. Std.	1
11	125566	. Bevel Gear	1
12	004240	. Spring Pin	1
13	016063	. Thrust Ball Bearing	1
14	133113	. Tubing	1
15	404970	. Housing	1
16	317286	. Retaining Ring	1
17	5-013309	. Spacer	A.R.
18	004263	. Spring Pin	1
19	120922	. Bearing	2
20	216098	. Handwheel	1
21	123901	. Pin	1
22	004259	. Spring Pin	1
23	198422	. Screw, Soc. Set 1/4-20NC x 1/4	1
24	003971	. Compression Spring	1
25	140765	. Friction Plug	1
26	004259	. Spring Pin	1
27	125567	. Bevel Gear	1
28	132667	. Shaft (21.88") (Standard)	1
	143983	. Shaft (27.88") (18" and 19" Work Heights)	1
	143984	. Shaft (33.88") (24" and 25" Work Heights)	1
	143985	. Shaft (39.88") (30" and 31" Work Heights)	1
29	132666	. Nut	1

NEW DRG. S.C.L. 9-18-97
REVISIONS
S.C.L. 2-25-04
S.C.L. 2-11-08



USED ON T-SLOT TABLES.

PROTRACTOR WORK STOP AND ALIGNING GAGE ASSEMBLY

C - 10 - 42 CM - 10 - 7

PRINTED IN U.S.A.

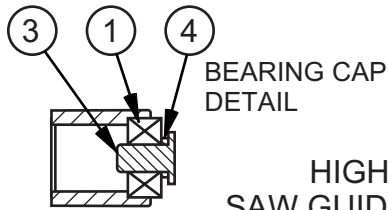
**PROTRACTOR WORK STOP
and
ALIGNMENT GAGE ASSEMBLY**

INDEX NO.	PART NO.	DESCRIPTION	UNITS PER ASS'Y.
Ref.*	051495	Protractor Work Stop And Aligning Gage Assembly	
1	35-001976	. Gage Rod.....	1
2	14-000473	. Dowel Pin	1
3*	025302	. T-Nut	1
4	051496	. Miter Head	1
5	34-017401	. Thumbnut	1
6	133971	. Knob	2
7*	011635	. Stud	1
8	011633	. Pointer	1
9	198867	. Screw, Rd. Hd. Mach. #10-24NC x 3/8.....	2
10	199265	. Washer, Flat 7/16 S.A.E. Std.	1
11	011634	. Shaft	1
12	35-001614	. Protractor Plate	1
13	198867	. Screw, Rd. Hd. Mach. #10-24NC x 3/8	3

*NOTE: For Model 26-HB2

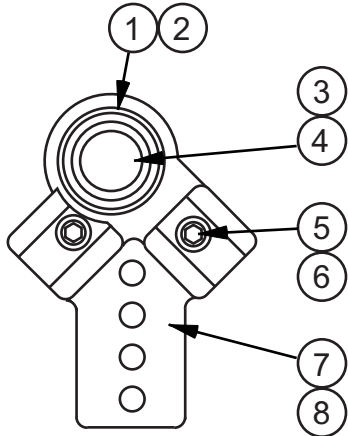
Ref.	054758	Protractor Work Stop And Aligning Gage Assembly	
3	029162	. T-Nut	1
7	101118	. Stud	1

NEW DRG.
S.C.L. 9-25-97
REVISIONS
S.C.L. 2-20-04
S.C.L. 2-11-08

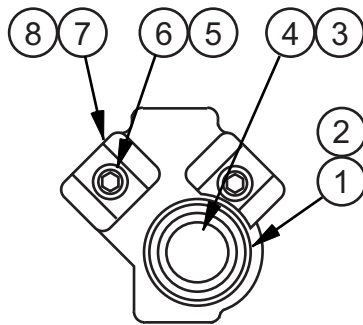


BEARING CAP
DETAIL

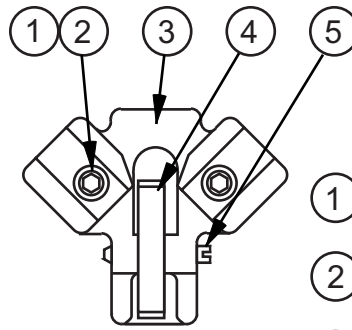
HIGH SPEED
SAW GUIDE ASSEMBLY
(CROWNED BANDWHEELS)
(1/16" - 1/2" SAW BANDS)



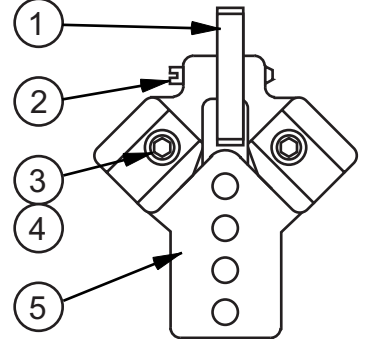
LOWER ASSEMBLY



UPPER ASSEMBLY



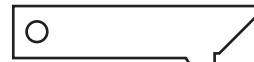
UPPER ASSEMBLY



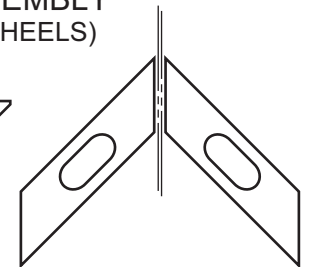
LOWER ASSEMBLY

SAW GUIDE ASSEMBLY
(FLANGED BANDWHEELS)

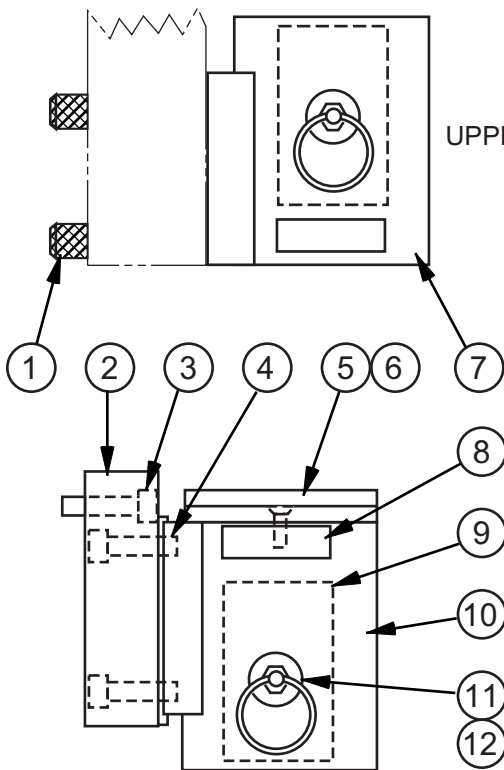
STANDARD



SAW GUIDE
INSERT GAGE



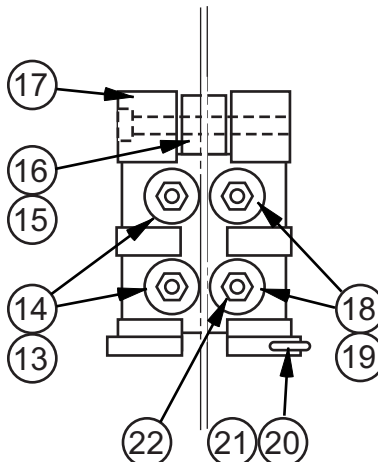
SAW GUIDE INSERTS



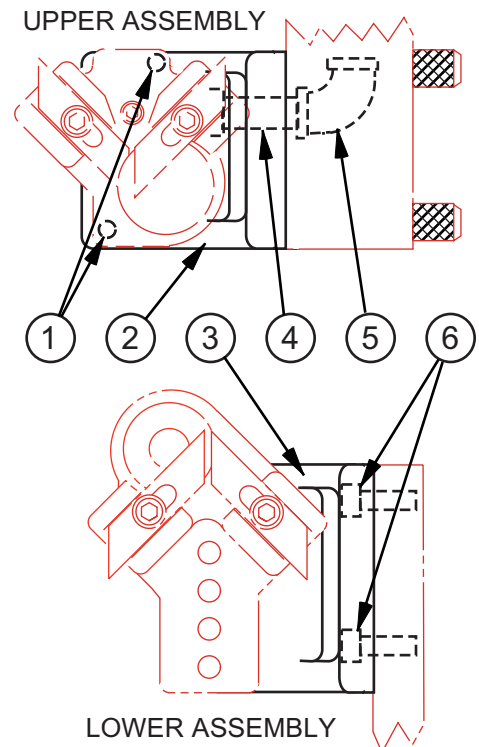
UPPER ASSEMBLY

LOWER ASSEMBLY

ADJUSTABLE ANGLE SAW GUIDE ASSEMBLY



TYPICAL FOR
BOTH GUIDES



UPPER ASSEMBLY

LOWER ASSEMBLY

90° SAW GUIDE ASSEMBLY

SAW GUIDE ASSEMBLIES
(STANDARD and SPECIAL APPLICATION)

SAW GUIDE ASSEMBLIES

INDEX NO.	PART NO.	DESCRIPTION	UNITS PER ASS'Y.
Ref.	028081	Upper Saw Guide Assembly (High Speed) (1/16"-1/2")	
1*	011529	. Ball Bearing	1
2	011541	. Retaining Ring (If Supplied)	1
3*	018415	. Bearing Cap	1
4*	176845	. Spacer	1
5	198238	. Screw, Soc. Hd. Cap 1/4-20NC x 5/8 ..	2
6	34-008502	. Insert Washer	2
7	027981	. Upper Saw Guide Block	1
8	137339	. Hole Plug (If Supplied)	1

Ref.	028082	Lower Saw Guide Assembly (High Speed) (1/16"-1/2")	
1*	011529	. Ball Bearing	1
2	011541	. Retaining Ring (If Supplied)	1
3*	018415	. Bearing Cap	1
4*	176845	. Spacer	1
5	198238	. Screw, Soc. Hd. Cap 1/4-20NC x 5/8 ...	2
6	34-008502	. Insert Washer	2
7	027983	. Lower Saw Guide Block	1
8	137339	. Hole Plug (If Supplied)	1

*NOTE: When ordering any of the marked items, ordering #085369 - Bearing Replacement Kit is recommended.

STANDARD FOR FLANGE BANDWHEELS

Ref.	304843	Upper Saw Guide Assy (Carbide Insert).	
1	198244	. Screw, Soc. Hd. Cap 1/4-20NC x 1-1/4	2
2	34-008502	. Insert Washer	2
3	406430	. Upper Saw Guide Block	1
4	121210	. Back-Up Insert	1
5	140204	. Pivot Bolt	1

Ref.	304844	Lower Saw Guide Assy (Carbide Insert).	
1	121210	. Back-up Insert	1
2	140204	. Pivot Bolt	1
3	198244	. Screw, Soc. Hd. Cap 1/4-20NC x 1-1/4	2
4	34-008502	. Insert Washer	2
5	406768	. Lower Saw Guide Block	1

90° SAW GUIDE ASSEMBLY

Ref.	416651	90° Saw Guide Assy (26" Table)	
Ref.	044804	90° Saw Guide Assy (30" Table)	
1	198242	. Screw, Soc. Hd. Cap 1/4-20NC x 1	2
2	027597	. 90° Upper Angle Saw Guide Bracket....	1
3	027596	. 90° Lower Angle Saw Guide Bracket....	1
4	011658	. Pipe Nipple	1
5	35-003647	. 90° Elbow	1
6	198239	. Screw, Soc. Hd. Cap 1/4-20NC x 3/4 ..	2
	317853	. Center Plate (Oval) (Not Shown)	1
	029261	. Center Plate (Round)(Not Shown).....	1
	416371	. Chip Baffle (If Supplied) (Not Shown)..	1
	133372	. Thumb Screw (Not Shown)	1

INDEX NO.	PART NO.	DESCRIPTION	UNITS PER ASS'Y.
Ref.	205025	Adjustable Angle Saw Guide Set (26" Table)	
Ref.	205114	Adjustable Angle Saw Guide Set (30" Table)	
1	018500	. Upper Saw Guide Holding Screw	2
2	319704	. Adaptor Bar	1
3	198242	. Screw, Soc. Hd. Cap 1/4-20NC x 1 ..	1
4	198241	. Screw, Soc. Hd. Cap 1/4-20NC x 7/82	
5	205024	. Cap	1
6	198739	. Screw, Flat Hd. Mach. #6-32NC x 3/8	2
7	417525	. Upper Saw Guide Housing	1
8	205818	. Label (Logo)	1
9	205802	. Label (Warning)	1
10	417522	. Lower Saw Guide Housing	1
11	205020	. Spring Plunger	1
12	205399	. Split Ring	1
13	205022	. Roller Bearing	2
14	319979	. Eccentric Stud	2
15	205022	. Roller Bearing	1
16	35-000328	. Dowel Pin	1
17	417524	. Upper Saw Guide	1
	417523	. Lower Saw Guide	1
18	205022	. Roller Bearing	2
19	320173	. Concentric Stud	2
20	205817	. Sleeve Cap	1
21	004219	. Spring Pin	1
22	017655	. Locknut #10-24NC	4

Following Not Shown:

204909	. Gage	1
319939	. Saw Band Guard Assembly	1
319930	. Guard Weldment	1
316934	. Sliding Guard	1
133372	. Thumb Screw	1
317592	. Center Plate (26" Table)	1
120128	. Center Plate (30" Table)	1

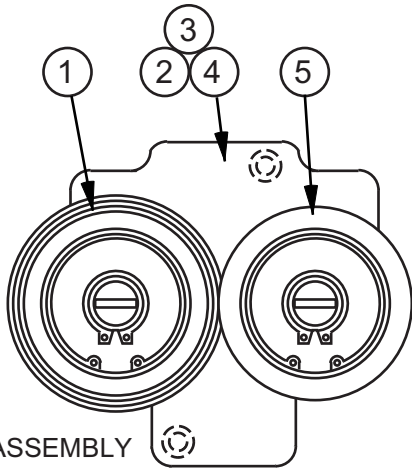
SAW GUIDE INSERT GAGE

34-008320	. Insert Gage (.025)	1
13-008303	. Insert Gage (.032)	1
13-009307	. Insert Gage (.035)	1
34-008506	. Box (For Inserts and Gages)	1

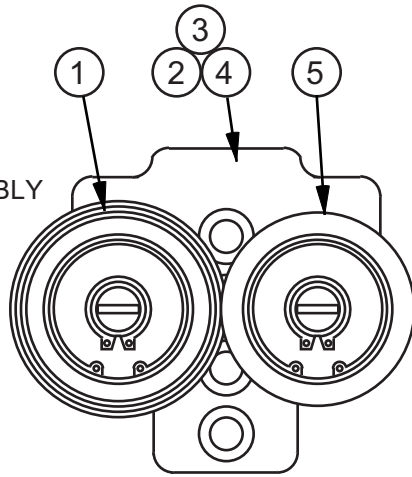
SAW GUIDE INSERT SELECTION

<u>STEEL</u>	<u>SIZE</u>	<u>CARBIDE</u>
004499	1/16"	
004498	3/32"	
004497	1/8"	141759
004496	3/16"	
004495	1/4"	016168
003960	3/8"	016170
003959	1/2"	013291
003958	5/8"	105894
003957	3/4"	013292
003956	1"	008982

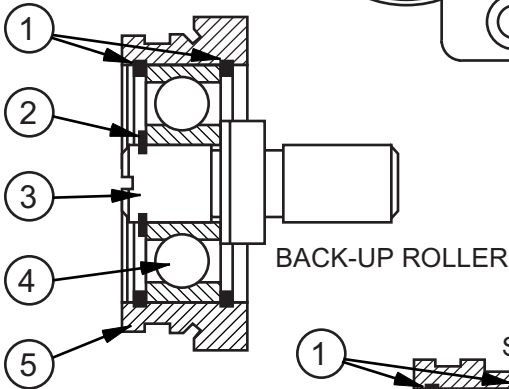
NEW DRG.
S.C.L. 9-30-97
REVISIONS
S.C.L. 2-20-04
S.C.L. 2-11-08



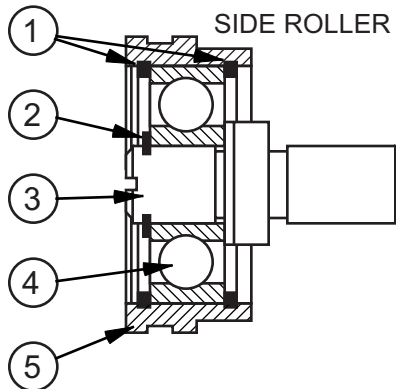
UPPER ASSEMBLY



LOWER ASSEMBLY

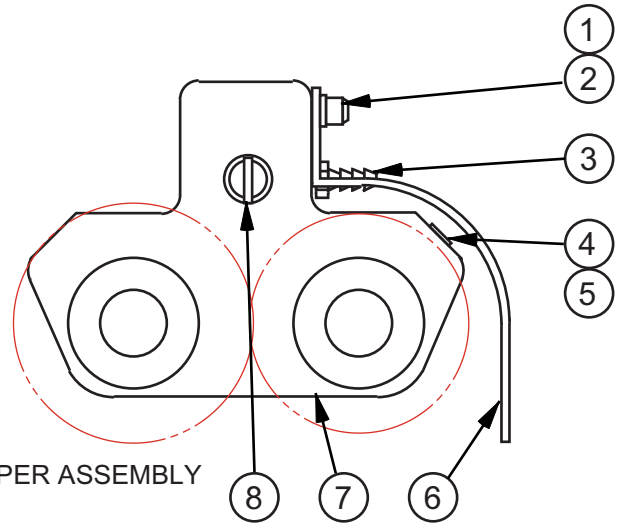


BACK-UP ROLLER

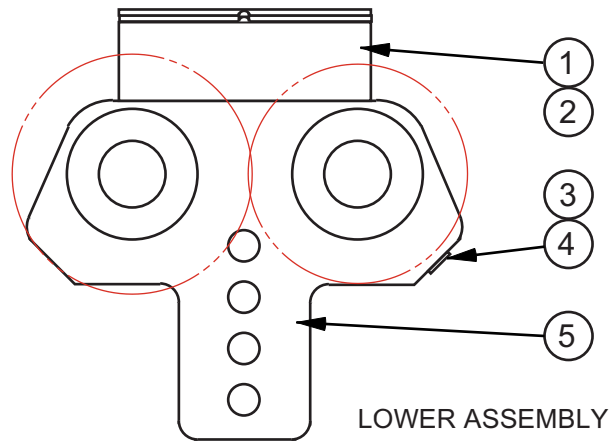


SIDE ROLLER

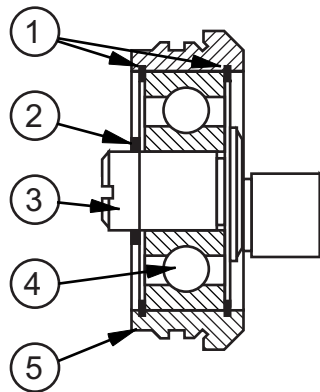
TYPE I - ROLLER SAW GUIDE ASSEMBLY



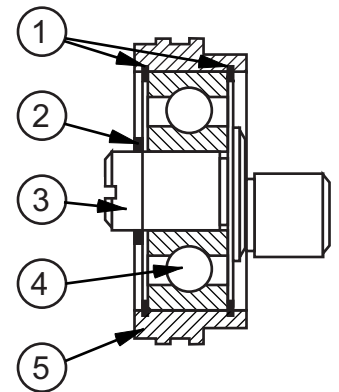
UPPER ASSEMBLY



LOWER ASSEMBLY



BACK-UP ROLLER



SIDE ROLLER

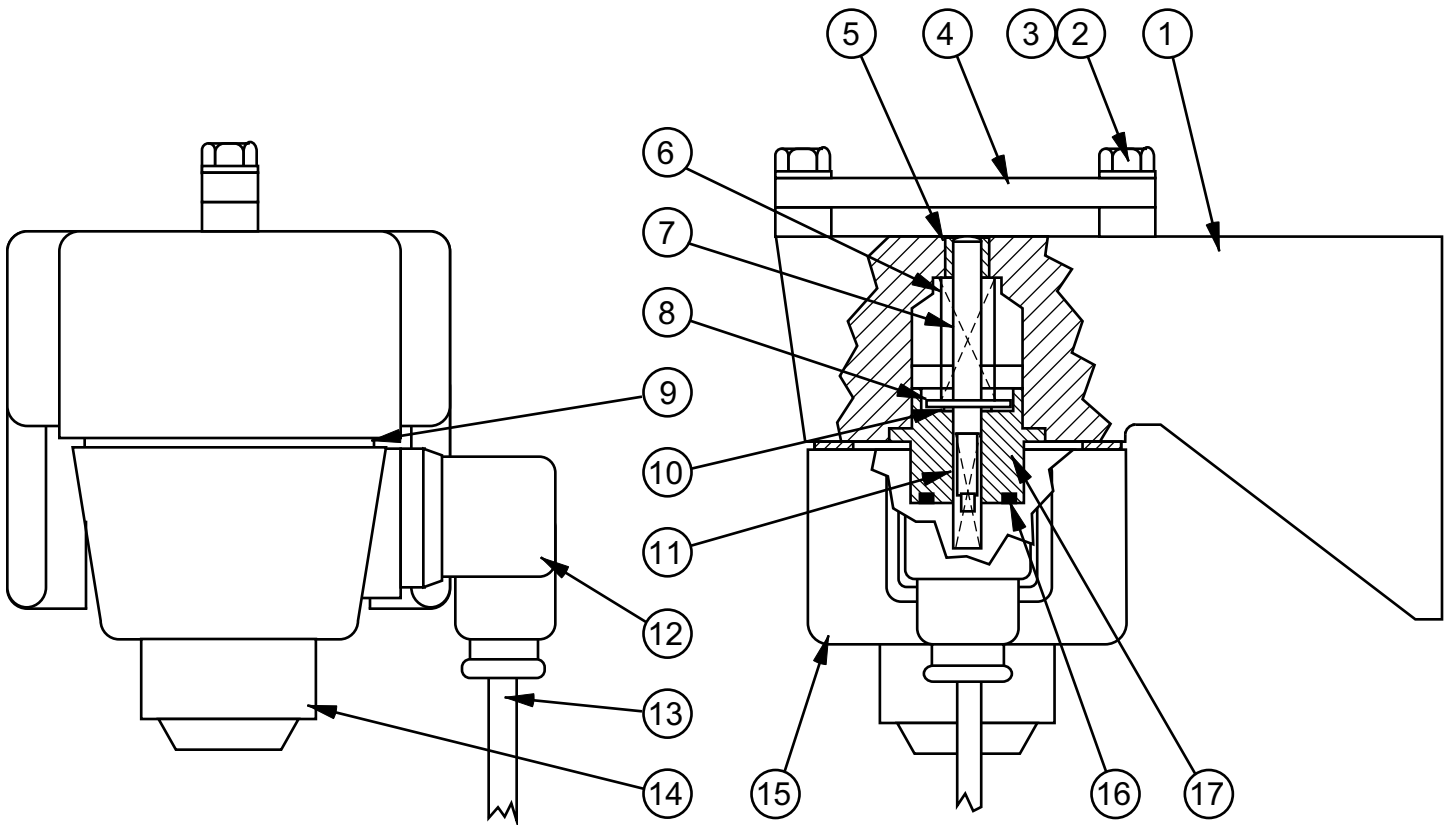
TYPE II - ROLLER SAW GUIDE ASSEMBLY

SAW GUIDE ASSEMBLIES (ROLLER TYPE)

SAW GUIDE ASSEMBLIES

INDEX NO.	PART NO.	DESCRIPTION	UNITS PER ASS'Y.	INDEX NO.	PART NO.	DESCRIPTION	UNITS PER ASS'Y.
<u>TYPE I – ROLLER SAW GUIDE ASSEMBLY</u>				<u>TYPE II ROLLER ASSEMBLIES</u>			
Ref.	029256	1/4" Upper Roller Saw Guide Assembly		Ref.	020798	1/4" Back-Up Roller Assembly	
Ref.	029258	3/8" Upper Roller Saw Guide Assembly		Ref.	020808	3/8" Back-Up Roller Assembly	
Ref.	029506	1/2" Upper Roller Saw Guide Assembly		Ref.	020295	1/2" Back-Up Roller Assembly	
1	See Below	. Back-Up Roller Assy (See Detail)	1	Ref.	021071	5/8" Back-Up Roller Assembly	
2	028960	. Upper Guide Block	1	Ref.	020296	3/4" Back-Up Roller Assembly	
3	198239	. Screw, Soc. Hd. Cap 1/4-20NC x 3/4 ..	2	Ref.*	028968	1" Back-Up Roller Assembly	
4	199321	. Washer, Lock 1/4 Std.	2	1	001303	. Retaining Ring	2
5	See Below	. Side Roller Assy (See Detail)	1	2	001568	. Retaining Ring	1
Ref.	029257	1/4" Lower Roller Saw Guide Assembly		3	013530	. Spindle	1
Ref.	029259	3/8" Lower Roller Saw Guide Assembly		4	001779	. Ball Bearing	2
Ref.	029505	1/2" Lower Roller Saw Guide Assembly		5	013532	. 1/4" Back-Up Roller	1
1	See Below	. Back-Up Roller Assy (See Detail)	1	Ref.	013541	. 3/8" Back-Up Roller	1
2	028961	. Lower Guide Block	1	Ref.	013534	. 1/2" Back-Up Roller	1
3	199239	. Screw, Soc. Hd. Cap 1/4-20NC x 3/4 ..	2	Ref.	013543	. 5/8" Back-Up Roller	1
4	199321	. Washer, Lock 1/4 Std.	2	Ref.	013536	. 3/4" Back-Up Roller	1
5	See Below	. Side Roller Assy (See Detail)	1	Ref.	100757	. 1" Back-Up Roller	1
<u>TYPE I – ROLLER ASSEMBLIES</u>				Ref.	020799	1/4" Side Roller Assembly	
Ref.	028982	1/4" Back-Up Roller Assembly		Ref.	020807	3/8" Side Roller Assembly	
Ref.	028978	3/8" Back-Up Roller Assembly		Ref.	020292	1/2" Side Roller Assembly	
Ref.	028976	1/2" Back-Up Roller Assembly		Ref.	021072	5/8" Side Roller Assembly	
1	100046	. Retaining Ring	2	Ref.	020293	3/4" Side Roller Assembly	
2	011541	. Retaining Ring	1	Ref.*	028967	1" Side Roller Assembly	
3	018296	. Shaft	1	1	001303	. Retaining Ring	2
4	011529	. Ball Bearing	2	2	001568	. Retaining Ring	1
5	028983	. 1/4" Back-up Roller	1	3	013530	. Spindle	1
	028979	. 3/8" Back-up Roller	1	4	001779	. Ball Bearing	2
	028977	. 1/2" Back-up Roller	1	5	013531	. 1/4" Side Roller	1
Ref.	028984	1/4" Side Roller Assembly		Ref.	013540	. 3/8" Side Roller	1
Ref.	028980	3/8" Side Roller Assembly		Ref.	013533	. 1/2" Side Roller	1
Ref.	028974	1/2" Side Roller Assembly		Ref.	013542	. 5/8" Side Roller	1
1	100046	. Retaining Ring	2	Ref.	013535	. 3/4" Side Roller	1
2	011541	. Retaining Ring	1	Ref.	100758	. 1" Side Roller	1
3	018296	. Shaft	1	*NOTE: To Be Used With Flanged Rubber-Tired Wheels Using 1/4", 1/2", 3/4" or 1" Bands. Also Used With Steel Fanged or Rubber Crowned Wheels Using 1" Band Only.			
4	011529	. Ball Bearing	2				
5	028985	. 1/4" Side Roller	1				
	028981	. 3/8" Side Roller	1				
	028975	. 1/2" Side Roller	1				
<u>TYPE II – ROLLER SAW GUIDE ASSEMBLY</u>							
Ref.	109517	Upper Saw Guide Block Assembly					
1	198236	. Screw, Soc. Hd. Cap 1/4-20NC x 1/2 ..	1				
2	199321	. Washer, Lock 1/4 Std.	1				
3	016001	. Barbed Insert	1				
4	198448	. Screw, Soc. Set 3/8-16NC x 3/8	2				
5	001741	. Plug	2				
6	033636	. Coolant Guard	1				
7	033517	. Upper Saw Guide Block	1				
8	033509	. Coolant Nozzle	1				
Ref.	017215	Lower Saw Guide Block Assembly					
1	002140	. Chip Deflector	1				
2	198235	. Screw, Soc. Hd. Cap 1/4-20NC x 3/8 ..	2				
3	198449	. Screw, Soc. Set 3/8-16NC x 1/2	2				
4	001741	. Plug	2				
5	027743	. Lower Saw Guide Block	1				
Not Shown (For Both Upper and Lower Guides):							
	131798	. Cloth Bag	1				

NEW DRG. S.C.L. 10-22-97
REVISIONS
S.C.L. 6-29-01
S.C.L. 2-14-08
S.C.L. 9-9-09



MODEL	FIRST MACH.	LAST MACH.
2012-VH	561-03101	
3613-V3	568-04101	
3613-VH	570-04101	
2013-V3	572-04101	
2613-V3	589-09101	

SHIFT LOCK ASSEMBLY (ELECTRICAL)

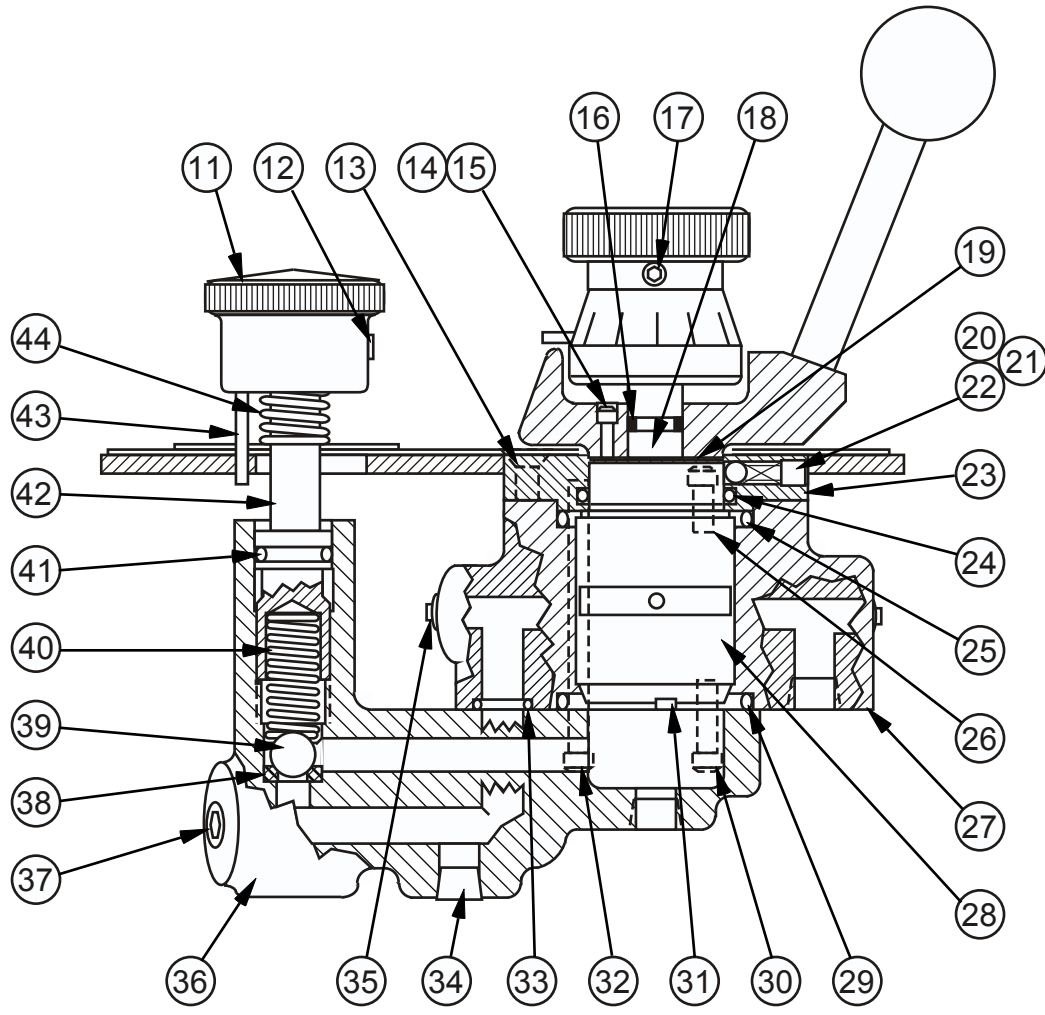
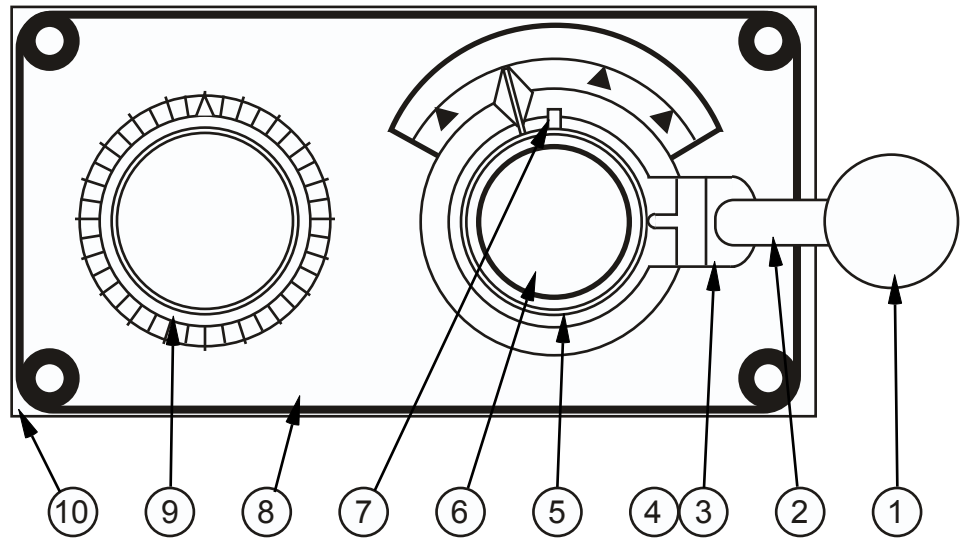
C - 5 - 131 CM - 5 - 91

PRINTED IN U.S.A.

SHIFT LOCK ASSEMBLY
(Electrical)

INDEX NO.	PART NO.	DESCRIPTION	UNITS PER ASS'Y.
Ref.	315351	Shift Lock Assembly (110/120V, 50/60 Hz)	
Ref.	315352	Shift Lock Assembly (220/240V, 50/60 Hz)	
1	414422	. Bracket	1
2	198027	. Screw, Hex. Hd. Cap 5/16-18NC x 3/4	2
3	199323	. Washer, Lock 5/16 Std.	2
4	172652	. Bar	1
5	147309	. Sleeve Bearing	1
6	155792	. Compression Spring	1
7	155453	. Locking Pin	1
8	014984	. Copper Washer	1
9	141389	. Solenoid Gasket	1
10	155962	. Retaining Ring	1
11	155791	. Compression Spring	1
12	165639	. Solenoid DIN Connector	1
13	197220	. Electrical Cord (#16-3 Conductor)	A.R.
14	250635	. Retainer	1
15	307253	. Coil (110/120V, 50/60 Hz)	1
	307252	. Coil (220/240V, 50/60 Hz)	1
16	260384	. O-Ring	1
17	307528	. Core Sub-Assembly	1

NEW DRG.
S.C.L. 2-25-04
REVISIONS
S.C.L. 3-17-08
S.C.L. 7-8-13



MODEL FIRST MACH. LAST MACH.
 2012-VH 561-03101
 ZV-3620 565-03101
 3612-VH 570-04101

TABLE CONTROL VALVE ASSEMBLY

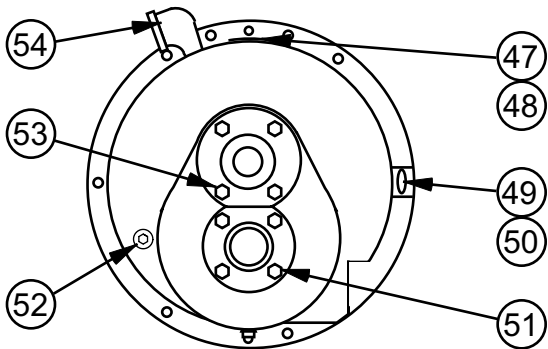
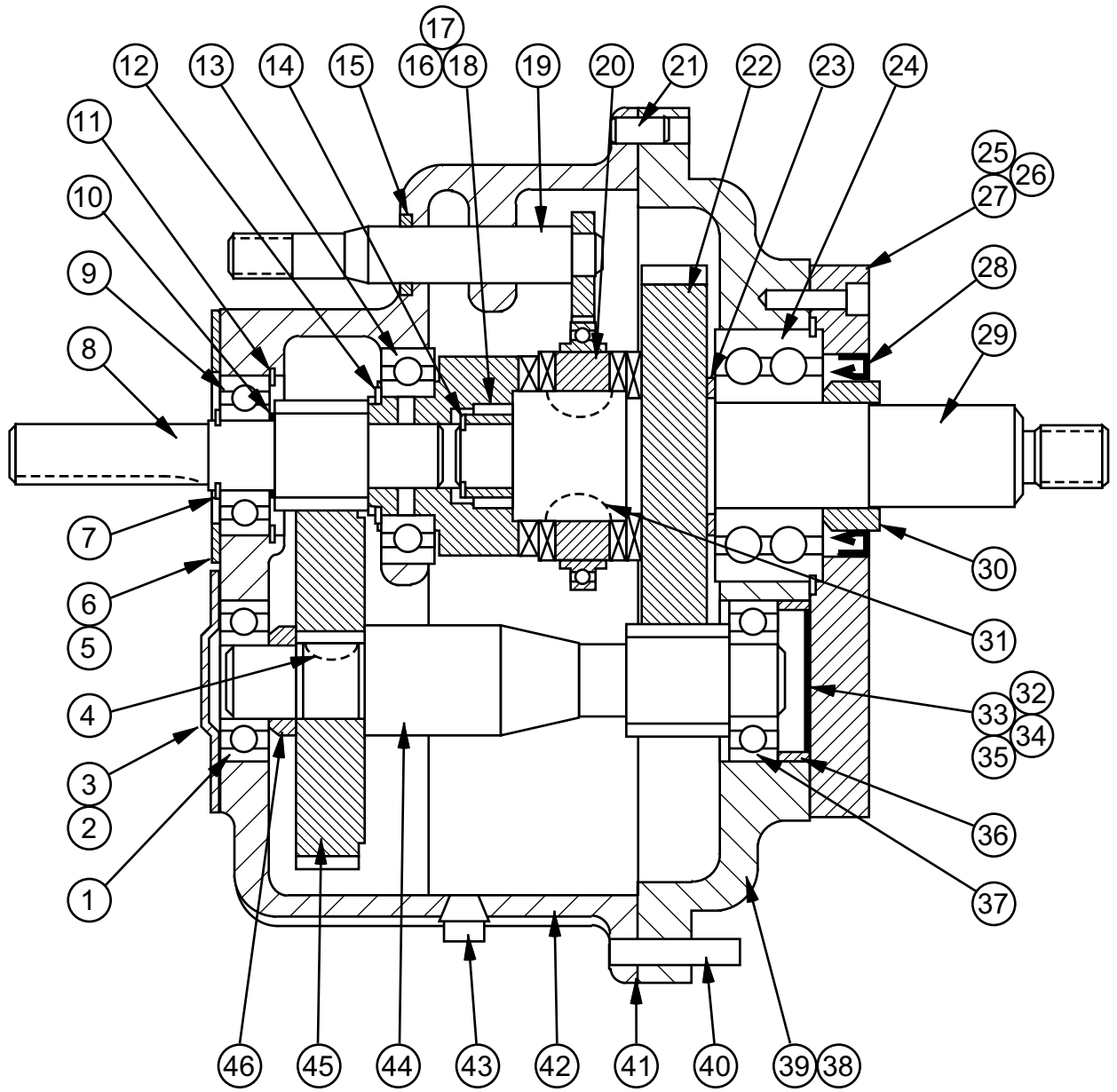
CM - 4 - 148 Z - 8 - 40

PRINTED IN U.S.A.

TABLE CONTROL VALVE ASSEMBLY

INDEX NO.	PART NO.	DESCRIPTION	UNITS PER ASS'Y.
Ref.	043323	Table Control Valve Assembly	
1	34-013508	. Shift Lever Knob	1
2	011378	. Lever Rod	1
3	024757	. Knob	1
4	004229	. Spring Pin	1
5	010652	. Knob	1
6	010662	. Knob Escutcheon	1
7	004229	. Spring Pin	1
8	025186	. Dial Plate	1
9	005191	. Pointer	1
10	025185	. Valve Panel	1
11	007154	. Knob	1
12	198425	. Screw, Soc. Set 1/4-20NC x 1/2	1
13	198758	. Screw, Flat Hd. Mach. 1/4-20NC x 3/8	4
14	198214	. Screw, Soc. Hd. Cap #8-32NC x 3/4	3
15	002238	. Washer, Lock #8 Hi-Collar	3
16	260425	. O-Ring	1
17	198424	. Screw, Soc. Set 1/4-20NC x 3/8	2
18	1014746	. Vernier Spool	1
19	010375	. Gasket	1
20	114465	. Screw, Soc. Set 1/4-20NC x 3/8 (Nylock)	1
21	14-000250	. Spring	1
22	260358	. Steel Ball	1
23	025179	. Valve Cap	1
24	35-009859	. O-Ring	1
25	001508	. O-Ring	1
26	198236	. Screw, Soc. Hd. Cap 1/4-20NC x 1/2	1
27	043309	. Control Valve Housing	1
28	024755	. Valve Spool	1
29	001508	. O-Ring	1
30	198239	. Screw, Soc. Hd. Cap 1/4-20NC x 3/4	1
31	004251	. Spring Pin	1
32	198250	. Screw, Soc. Hd. Cap 1/4-20NC x 2-3/4	3
33	003370	. O-Ring	1
34	123328	. Pipe Plug	1
35	120369	. Pipe Plug	4
36	056679	. Pressure Valve Housing	1
37	123328	. Pipe Plug	1
38	114747	. Ball Seat	1
39	260412	. Steel Ball	1
40	35-009173	. Spring	1
41	260411	. O-Ring	1
42	009884	. Valve Screw	1
43	004236	. Spring Pin	1
44	005193	. Spring	1

NEW DRG.
S.C.L. 2-25-04
REVISIONS
S.C.L. 2-12-08
S.C.L. 9-9-09



VIEW IN DRIVE COMPARTMENT

MODEL FIRST MACH. LAST MACH.

2012-VH	561-03101
3613-V3	568-04101
3612-VH	570-04101
2013-V	571-04101
2013-V3	572-04101
3613-1	577-04101
2613-V3	589-09101

TRANSMISSION ASSEMBLY

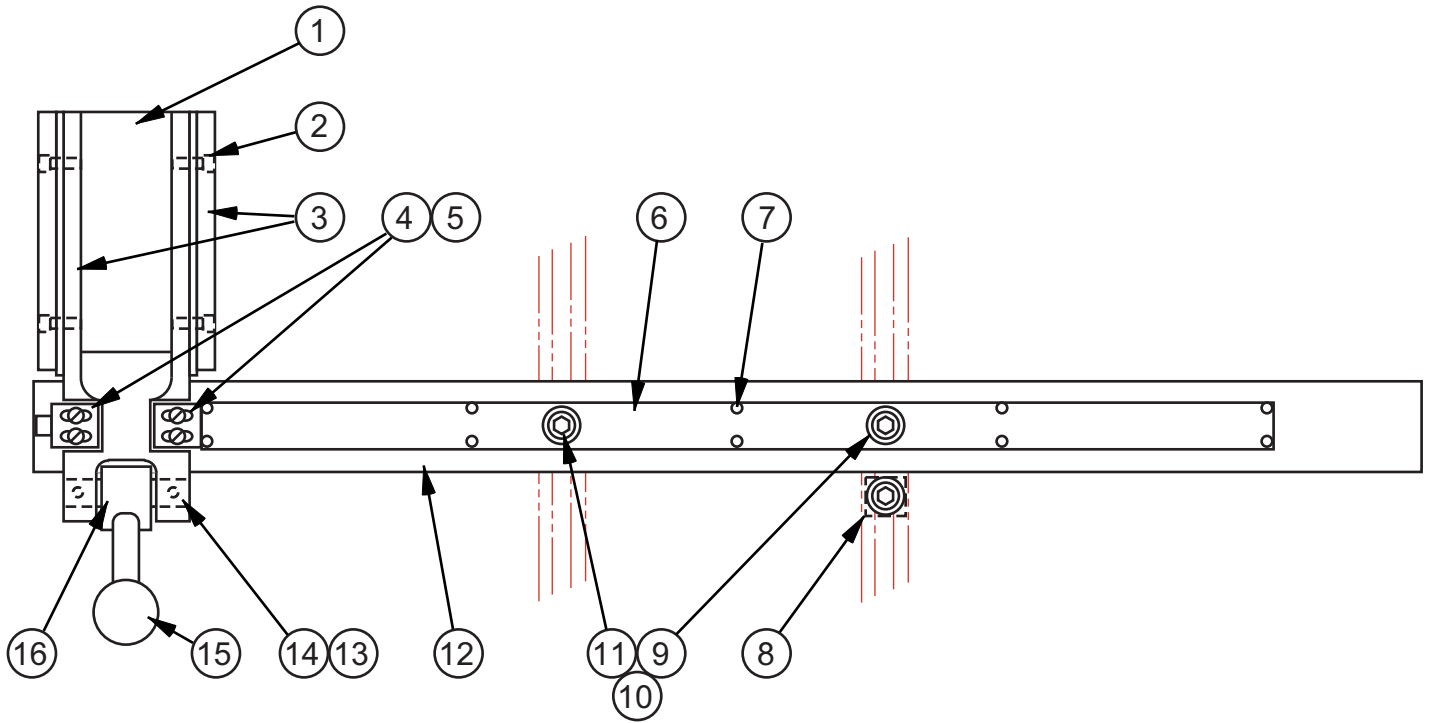
C - 4 - 47 CM - 4 - 147

PRINTED IN U.S.A.

TRANSMISSION ASSEMBLY

INDEX NO.	PART NO.	DESCRIPTION	UNITS PER ASS'Y.
Ref.	506827	Transmission Assembly	
1	108557	. Bearing	1
2	5-004303	. Countershaft Bearing Cover	1
3	5-004309	. Gasket	1
4	5-004602	. Woodruff Key	1
5	323106	. Bearing Cover	1
6	213598	. Shaft Seal	1
7	35-008664	. Retaining Ring	1
8	307343	. Input Shaft Assembly	1
	031737	. . Input Shaft And Clutch	1
	004283	. . Spring Pin	1
	307344	. . Clutch	1
9	100122	. Ball Bearing	1
10	175651	. Flinger (If Supplied)	1
11	35-008189	. Retaining Ring	1
12	35-007538	. Retaining Ring	1
13	002273	. Ball Bearing	1
14	111692	. Snap Ring	1
15	214190	. Shaft Seal	1
16	164548	. Needle Bearing	1
17	164547	. Inner Race	1
18	143391	. Grease (Union 76 Unoba EP 2)	A.R.
19	111449	. Shifter Fork Weldment	1
20	111451	. Shifter Clutch Assembly	1
	048621	. . Shifter Clutch	1
	111450	. . Ball Bearing	1
	004209	. . Spring Pin	3
21	35-000443	. Dowel Pin	1
22	6-004421	. Clutch Gear	1
23	147522	. Spacer	1
24	147523	. Ball Bearing	1
25	408641	. Bearing Cover Plate	1
26	198239	. Screw, Soc. Hd Cap 1/4-20NC x 3/4	5
27	212668	. Black Silicon (Super Flex 598)	A.R.
28	147524	. Oil Seal	1
29	408637	. Output Shaft	1
30	147521	. Seal Ring	1
31	35-007192	. Woodruff Key	2
32	152085	. Shim (.005)	A.R.
33	152086	. Shim (.010)	A.R.
34	152087	. Shim (.032)	A.R.
35	152088	. Shim (.060)	A.R.
36	147622	. Bearing Spacer	1
37	108557	. Ball Bearing	1
38	506828	. Transmission Cover	1
39	198257	. Screw, Soc. Hd. Cap 5/16-18NC x 5/8	4
40	013122	. Dowel Pin	1
41	5-004311	. Gasket	1
42	054871	. Transmission Case	1
43	152157	. Magnetic Plug	1
44	313681	. Countershaft And Pinion	1
45	5-004424	. Gear	1
46	103235	. Spacer	1
47	160149	. Escutcheon (If Supplied)	1
48	199396	. Screw, Rd. Hd. Drive #2 x 3/16	2
49	113737	. Pipe Plug	1
50	138442	. Gear Oil	A.R.
51	198005	. Screw, Hex. Hd. Cap 1/4-20NC x 3/8	4
52	120369	. Pipe Plug (1/8 NPT)	1
53	159133	. Screw, Soc. Hd. Cap 1/4-20NC x 1/2 (Low Head)	4
54	17-013521	. 90° Street Elbow	1

NEW DRG.
S.C.L. 9-18-97
REVISIONS
S.C.L. 2-25-04
S.C.L. 2-12-08



USED ON T-SLOT TABLES.

UNIVERSALLY CALIBRATED WORK FIXTURE ASSEMBLY

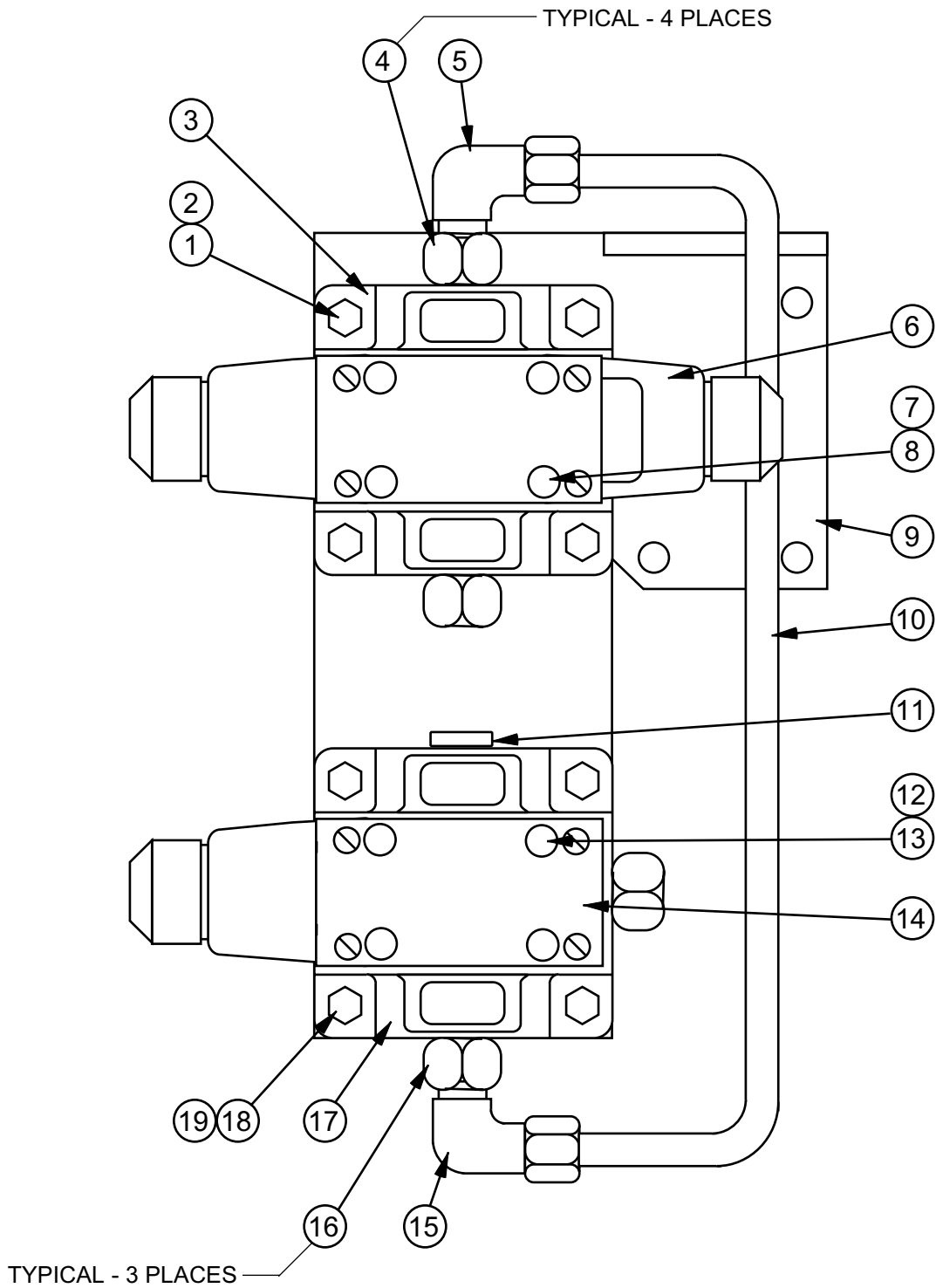
C - 10 - 43 CM - 10 - 9

PRINTED IN U.S.A.

UNIVERSALLY CALIBRATED WORK FIXTURE ASSEMBLY

INDEX NO.	PART NO.	DESCRIPTION	UNITS PER ASS'Y.
Ref.	045083	Universally Calibrated Work Fixture Assembly (11" Scale)	
Ref.	404907	Universally Calibrated Work Fixture Assembly (28 cm Scale)	
Ref.	045084	Universally Calibrated Work Fixture Assembly (16" Scale)	
Ref.	404817	Universally Calibrated Work Fixture Assembly (41 cm Scale)	
1	045085	. Head	1
2	198236	. Screw, Soc. Hd. Cap 1/4-20NC x 1/2	4
3	018390	. Wear Strip	2
4	018392	. Pointer	2
5	199005	. Screw, Truss Hd. Mach. #6-32NC x 1/4	4
6	045088	. Scale (11" - 0" - 11")	1
	047500	. Scale (28cm - 0cm - 28cm)	1
	045089	. Scale (16" - 0" - 16")	1
	047499	. Scale (41cm - 0cm - 41cm)	1
7	198833	. Screw, Rd. Hd. Mach. #5-40NC x 1/8	10
8	101117	. Collar (For Angle Cutting)	1
9	198281	. Screw, Soc. Hd. Cap 3/8-16NC x 1-1/2	2
10	199264	. Washer, Flat 3/8 S.A.E. Std.	2
11	003855	. T-Slot Nut	2
12	045086	. Bar (11" and 28 cm Scales)	1
	045087	. Bar (16" and 41 cm Scales)	1
13	018391	. Pin	1
14	198417	. Screw, Soc. Set #10-32NF x 1/4	2
15	34-013508	. Knob	1
16	028892	. Cam Assembly	1
	100702	. . Cam	1
	002579	. . Handle	1

NEW DRG.
S.C.L. 8-24-06
REVISIONS
S.C.L. 3-17-08
S.C.L. 9-9-09



MODEL FIRST MACH. LAST MACH.
 2012-VH 561-03101
 3612-VH 570-04101

VALVE MANIFOLD ASSEMBLY (FOOT SWITCH)

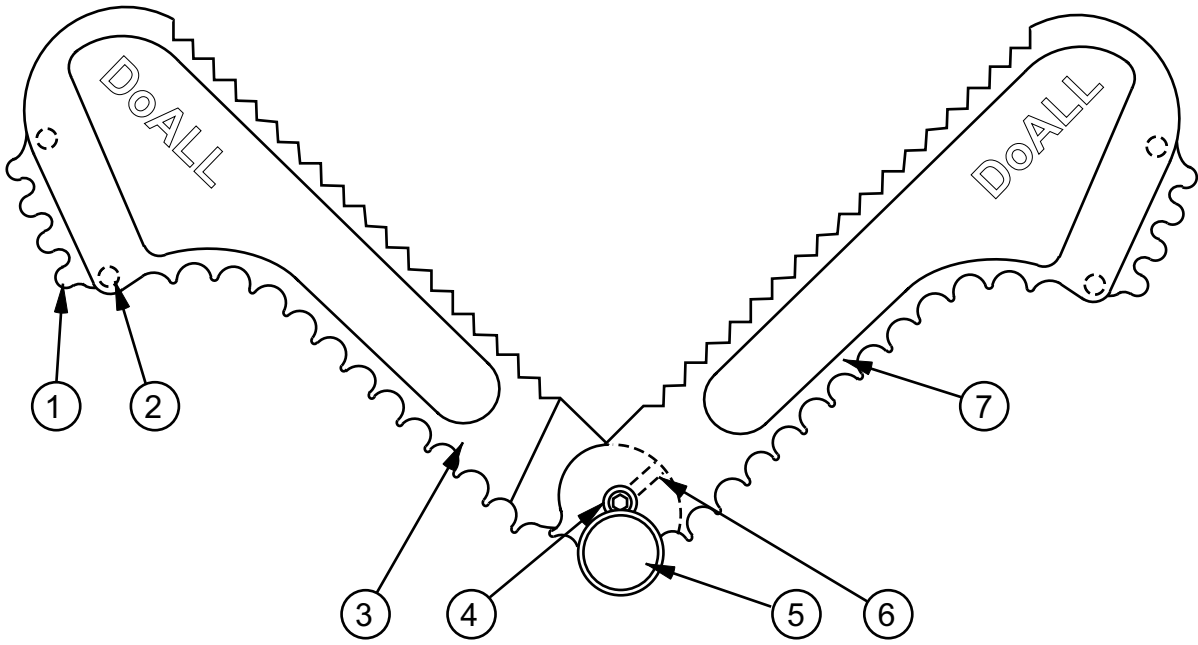
CM - 4 - 47

PRINTED IN U.S.A.

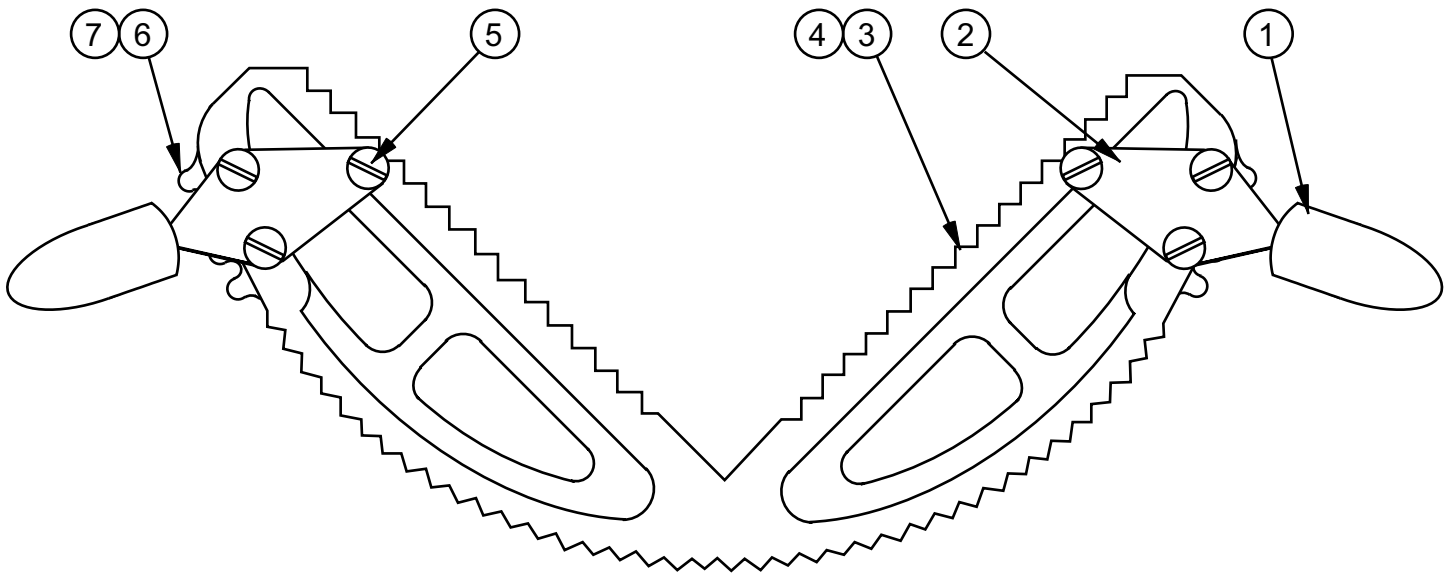
VALVE MANIFOLD ASSEMBLY

INDEX NO.	PART NO.	DESCRIPTION	UNITS PER ASS'Y.
Ref.	420269	Valve Manifold Assembly (Foot Switch)	
1	198009	. Screw, Hex. Hd. Cap 1/4-20NC x 7/8	4
2	199321	. Washer, Lock 1/4 Std.	4
3	265801AI	. Sub-Plate	1
4	158995	. Female Pipe Adaptor	4
5	309057	. 90° Male Elbow	1
6	1003595	. Directional Control Valve	1
7	198225	. Screw, Soc. Hd. Cap #10-24NC x 1	4
8	199319	. Washer, Lock #10 Std.	4
9	406267	. Bracket	1
10	197130	. Steel Tubing 3/8 O.D.	A.R.
11	169511	. O-Ring Plug	1
12	198225	. Screw, Soc. Hd. Cap #10-24NC x 1	4
13	199319	. Washer, Lock #10 Std.	4
14	1003590	. Directional Control Valve	1
15	309057	. 90° Male Elbow	1
16	158995	. Female Pipe Adaptor	3
17	265801AI	. Sub-Plate	1
18	198009	. Screw, Hex. Hd. Cap 1/4-20NC x 7/8	4
19	199321	. Washer, Lock 1/4 Std.	4

NEW DRG.
S.C.L. 9-18-97
REVISIONS
S.C.L. 2-25-04
S.C.L. 2-12-08



WORK HOLDER ASSEMBLY
040262



WORK HOLDING JAW ASSEMBLY
5-013007

WORK HOLDING JAW ASSEMBLIES

WORK HOLDING JAW ASSEMBLIES

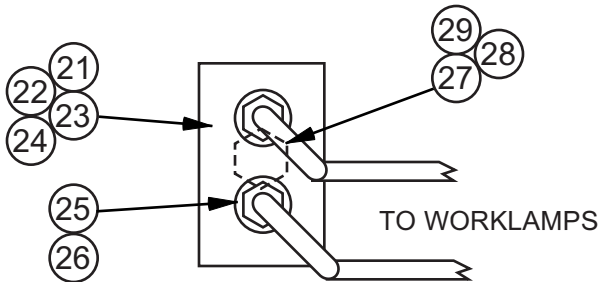
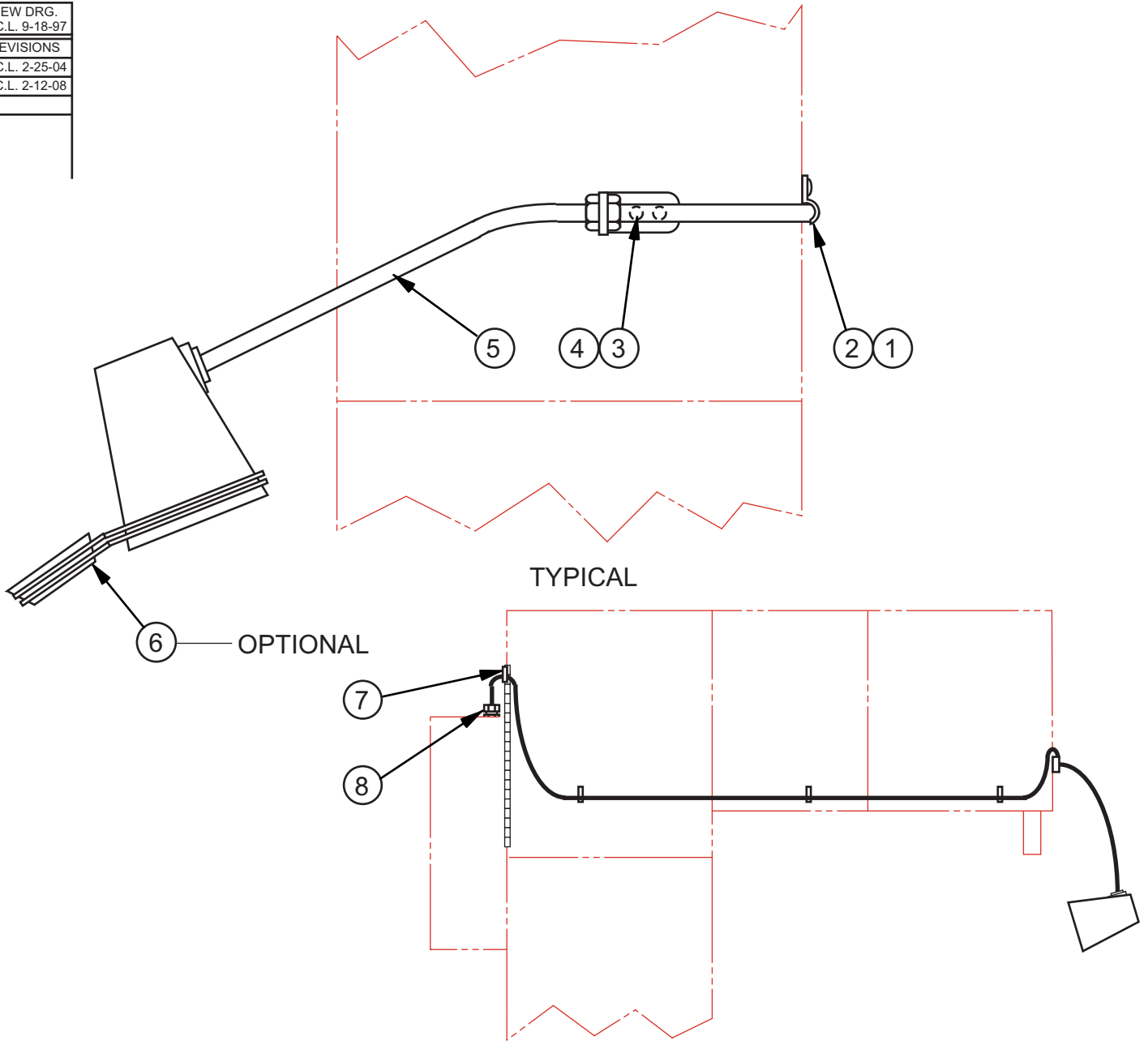
INDEX NO.	PART NO.	DESCRIPTION	UNITS PER ASS'Y.
Ref.	040262	Work Holder Assembly	
1*	5-013313	. Sprocket	2
2	198698	. Screw, Fill. Hd. Mach. #10-24NC x 1/2	4
3	020386	. Left Arm	1
4	198236	. Screw, Soc. Hd. Cap 1/4-20NC x 1/2	1
5	002162	. Knurled Screw	1
6	198410	. Screw, Soc. Set #10-24NC x 1/4	2
7	020385	. Right Arm	1

*NOTE: Before 2-12-44 On Hydraulic Machines, Use #6-023337 Sprocket With 3/16" Pitch; Specify Pitch of Chain When Ordering.

Ref.	5-013007	Work Holding Jaw Assembly	
1	5-013512	. Jaw Handle	2
2	5-013318	. Bracket	2
3	040678	. Work Holding Jaw Sub-Assembly	1
4	5-013110	. . Work Holding Jaw	1
5	198892	. . Screw, Rd. Hd. Mach. 1/4-20NC x 5/16	6
6	5-013313	. . Sprocket	2
7	199015	. . Screw, Truss Hd. Mach. #10-24NC x 3/8	4

Ref. 34-003107 Work Holding Jaw (Ratchet And Screw Feed Options)

NEW DRG.
S.C.L. 9-18-97
REVISIONS
S.C.L. 2-25-04
S.C.L. 2-12-08



FOR MACHINES WITH 2 WORKLAMPS
(2613-3, 2618-4, 6013-H3)

O.S.H.A. REQUIREMENT:
WIRE DIRECTLY TO CONTROL BOX.
SEE ELECTRICAL SCHEMATIC FOR
CONNECTIONS AND/OR MORE
INFORMATION.

OPTIONAL ON ALL MACHINES.

WORKLAMP ASSEMBLY

WORKLAMP ASSEMBLY

INDEX NO.	PART NO.	DESCRIPTION	UNITS PER ASS'Y.
Ref.	220670	Worklamp Assembly (Standard)	
Ref.	220671	Worklamp Assembly (Extra Work Height)	
1	018172	. Tubing Clamp	A.R.
2	198853	. Screw, Rd. Hd. Mach. #8-32NC x 3/8	A.R.
3	198892	. Screw, Rd. Hd. Mach. 1/4-20NC x 5/16	2
4	199321	. Washer, Lock 1/4 Std.	2
5	221545	. Worklamp (Includes Bracket)	1
	221546	. Worklamp (Includes Bracket) (Extra Work Height)	1
6	138436	. Magnifier (Optional)	1
7	009955	. Nylon Tubing Clamp	1
	198853	. Screw, Rd. Hd. Mach. #8-32NC x 3/8	1
8	201688	. Cord Grip Connector (.200-.394)	1
Ref.	406094	Worklamp Assembly (2 Worklamps) (2613-3, 6013-H3)	
21	100506	. Outlet Box Assembly	1
	002992	. Junction Box (2618-4 Only)	1
22	137173	. Box Cover	1
23	137172	. Gasket	1
24	133826	. Wire Connector	A.R.
25	015139	. Cord Grip Connector	2
26	014411	. Flange Washer	2
27	197156	. Sealtite Conduit 1/2 I.D.	A.R.
28	014545	. Sealtite Connector	2
29	014411	. Flange Washer	2

Use Worklamps Listed Above; Quantity of 2.