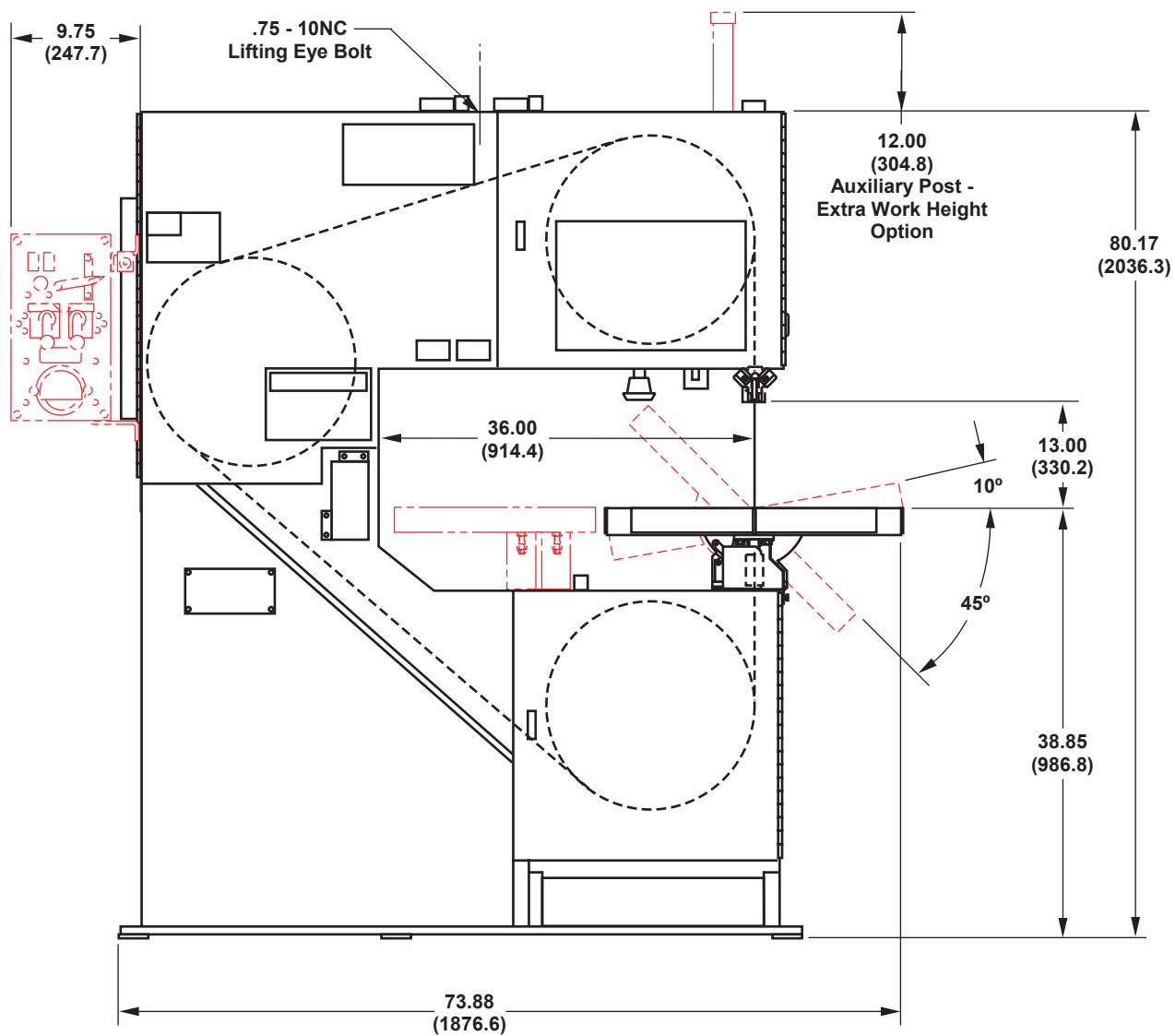


Front Dimensions



Top Dimensions

