

98222 Tune-Up Kit

Air Motor and Machine Parts

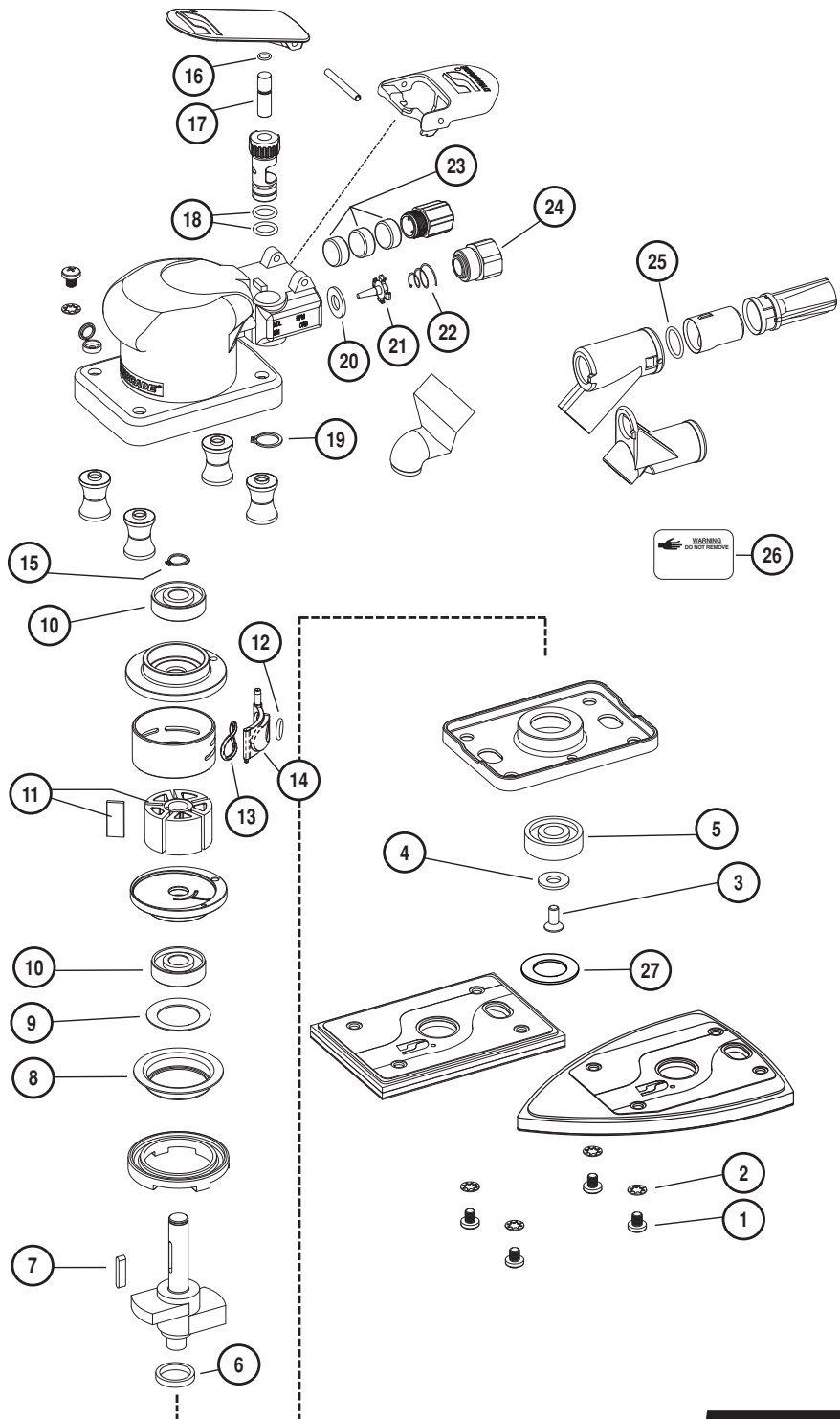
**For Use With All:
 Dynabug® II Models**

Parts included in tune-up kit are identified by part number. Not all parts are required for all tools.
 Please refer to appropriate parts page for additional identification and disassembly/assembly instructions.

Index Key

No.	Part #	Description
1	96539	Screw (4)
2	96538	Lock Washer (4)
3	95344	Screw
4	95935	Washer
	57873*	Washer
5	54552	Bearing
	57872*	Bearing
6	57896	Felt Seal (2)
7	56047	Key
8	59057	Front Bearing Seal
9	59083	Felt Washer
10	58368	Bearing (2)
11	57113	Blade (5)/Rotor Set
12	01024	O-Ring
13	95529	O-Ring
14	59133	Cylinder Sleeve Adaptor
15	98463	Retaining Ring
16	98459	O-Ring
17	58363	Valve Stem
18	01025	O-Ring (2)
19	95697	Retaining Ring
20	01464	Seal
21	58365	Tip Valve
22	01468	Spring
23	56027	Muffler Insert (3)
24	69359	Muffler Body
25	95526	O-Ring
26	96540	Vacuum Port Cover
27	57865*	Felt Seal

* Specifically for Model Numbers
 10271, 10278 & 10279



DYNABRADE, INC.

www.dynabrade.com

8989 Sheridan Drive • Clarence, NY 14031-1490 • Phone: 716-631-0100 • Fax: 716-631-2073 • International Fax: 716-631-2524

©DYNABRADE, INC., 2017

