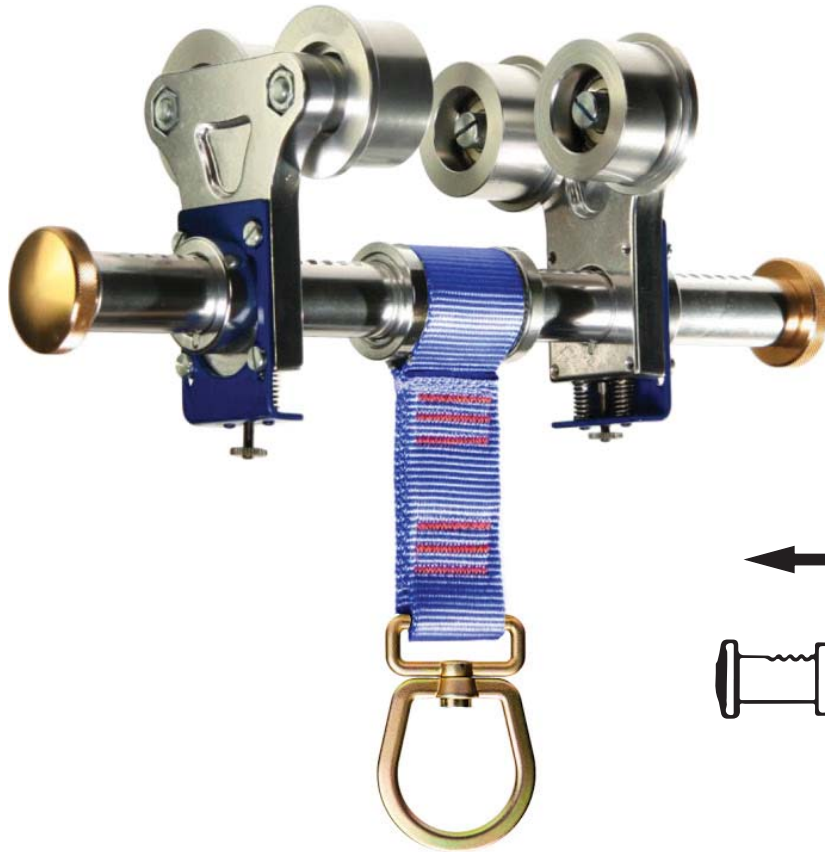


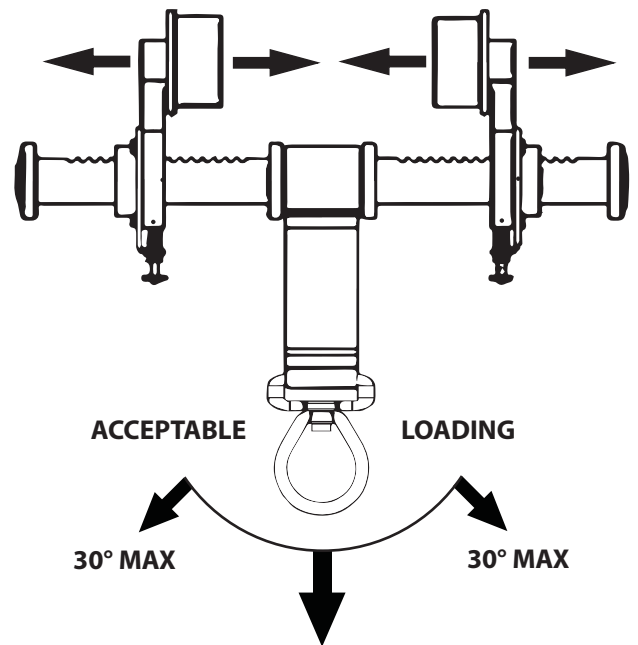
## DESCRIPTION

### Dynamic 5,000-lbf / 22kN Beam Trolley Anchor.

A removable and reusable rolling I-beam anchor, easy to place and remove. This anchor is designed to easily roll along the beam while trailing the worker.



(Adjustable Directions)  
 Max 10" or 255mm  
 Min 3" or 76mm  
 Flange Thickness: 1/4" to 7/8"



www.dsafety.com

ANSI Z359.1-2007, Z359.7-2011 / OSHA 1926.502  
 CE 0321 / EN 795:1996 (+A1:2000) Class B

## SPECIFICATIONS

- ▼ **UTS**  
5,000-lbf / 22kN
- ▼ **Max User Weight**  
310-lbs / 140kg
- ▼ **Working Load**  
1000-lbs / 454kg

## MATERIALS

- ▼ **Rollers**  
Aluminum
  - ▼ **Cross Bar**  
Aluminum
  - ▼ **Swivel**  
Zinc Plated Steel
  - ▼ **Webbing**  
Polyester
- ▼ **Hardware**  
Stainless Steel

## PRODUCT CONFIGURATIONS

MODEL	APPLICATION	COLOR	LOADING	WEIGHT
FP3800	I & H Beams	Blue	5,000-lbf (22kN)	3493g