

EXOCARB® WXL®



Premium Performance Carbide End Mills with OSG's Proprietary WXL® Coating

List 3712 (Continued)

WXL-PC-EBD, 2 Flute, Stub Length, Pencil Neck, Ball End

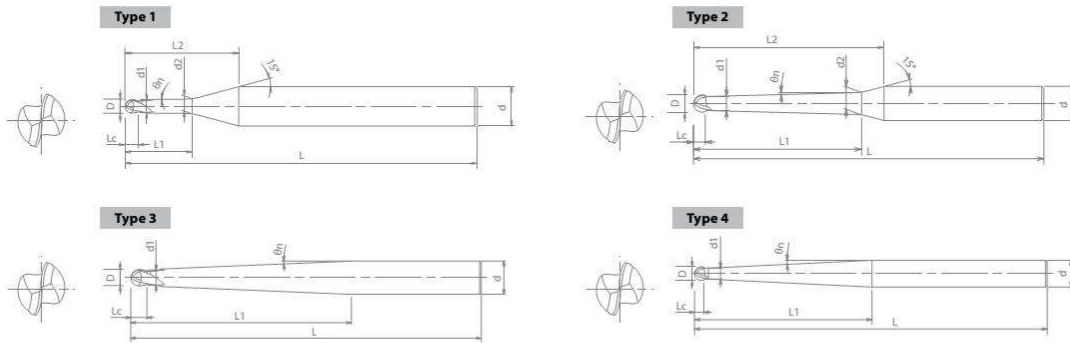
SPEED FEED P1162-1169	CARBIDE	WXL	STUB	30°	SHANK h6
--------------------------	---------	-----	------	-----	-------------

Units: mm

EDP Number	Mill Diameter	Overall Length	Length of Cut	Minimum Neck Diameter	Effective Neck Length	Neck Taper	Shank Diameter	Type
	D	L	Lc	d1	L1	θn	d	
3170334	3.0	80	2.40	2.95	35.0	1.0°	6	1
3170335	3.0	85	2.40	2.95	40.0	1.0°	6	1
3170336	3.0	90	2.40	2.95	50.0	1.0°	6	1
3170337	3.0	100	2.40	2.95	60.0	1.0°	6	1
3170338	3.0	110	2.40	2.95	70.0	1.0°	6	1
3170341	3.0	60	2.40	2.95	20.0	1.5°	6	1
3170342	3.0	65	2.40	2.95	25.0	1.5°	6	1
3170343	3.0	70	2.40	2.95	30.0	1.5°	6	1
3170344	3.0	80	2.40	2.95	35.0	1.5°	6	1
3170345	3.0	85	2.40	2.95	40.0	1.5°	6	1
3170346	3.0	90	2.40	2.95	50.0	1.5°	6	1
3170347	3.0	100	2.40	2.95	62.5	1.5°	6	2
3170351	3.0	100	2.40	2.95	47.5	2.0°	6	2
3170371	4.0	65	3.20	3.93	20.0	1.0°	6	1
3170372	4.0	80	3.20	3.93	30.0	1.0°	6	1
3170373	4.0	90	3.20	3.93	40.0	1.0°	6	1
3170374	4.0	100	3.20	3.93	50.0	1.0°	8	1
3170375	4.0	110	3.20	3.93	60.0	1.0°	8	1
3170381	4.0	80	3.20	3.93	44.2	1.5°	6	2
3170391	4.0	80	3.20	3.93	34.0	2.0°	6	2
3170401	5.0	100	5.00	4.95	30.0	1.0°	8	1
3170402	5.0	100	5.00	4.95	40.0	1.0°	8	1
3170403	5.0	130	5.00	4.95	60.0	1.0°	8	1
3170411	5.0	100	5.00	4.95	26.9	1.5°	6	2
3170412	5.0	130	5.00	4.95	65.1	1.5°	8	2

Packed: 1 pc.
Available WXL® coating only.

continued on next page



List No.	Work Material																
	P					M			K	N		S		H			
	Carbon Steels			Alloy Steels	Die Steels	Stainless Steels			Cast Iron	Aluminum		Nickel Alloy	Titanium	Hardened Steels			
	Low	Med.	High	4140		300	400	17-4 PH		6061	Casting	Inconel	6Al4V (30 HRC)	~35 HRC	35-45 HRC	45-50 HRC	50-70 HRC
3712	<input type="checkbox"/>	<input type="checkbox"/>	<input type="checkbox"/>	<input type="checkbox"/>	<input type="checkbox"/>	<input type="checkbox"/>	<input type="checkbox"/>	<input type="checkbox"/>	<input type="checkbox"/>	<input type="checkbox"/>	<input type="checkbox"/>	<input type="checkbox"/>	<input type="checkbox"/>	<input type="checkbox"/>	<input type="checkbox"/>	<input type="checkbox"/>	<input type="checkbox"/>

good best

