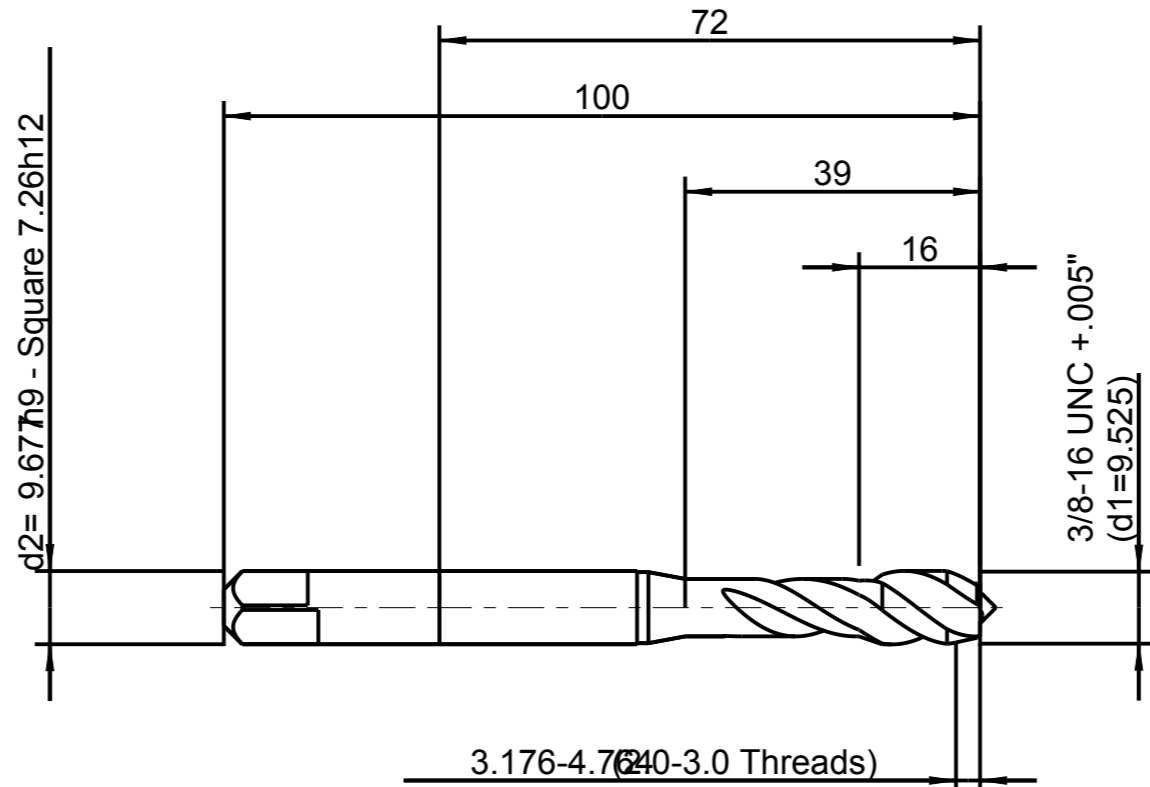


Weder die Herstellung dieses Dokuments, noch die Ausführung und Montage dieses Bauteils sind durch dieses Dokument geschützt. Die Rechte für den Fall der Patent-, Gebrauchsmuster- oder Geschmacksurteilverletzung vorbehalten. "Schutzvermerk nach DIN ISO 15016 beachten" Technische Änderungen vorbehalten!

Issued with CAD! Changes to be made only on the CAD/CAM modell

The reproduction, distribution and utilization of this document as well as the communication of its contents to others without explicit authorization is prohibited. All rights reserved in the event of the grant of a patent, utility model or design. "Observe protective mark according to DIN ISO 15016" Technical data is subject to change without notice!



1:1

Identification

EMUGE-VA Enorm1-VA-GLT-1 3/8-16 UNC-2B +0,12
Kom.-Nr.

| | | EMUGE-Werk Richard Glimpel GmbH & Co. KG www.emuge-franken.com | | Document Type Documentary drawing | | | | | | | | | | | | | | | | | | | | | | | | | | | | | | | | | | | | | | |
|---|-----------------------------|---|------|--------------------------------------|------------------------------|--|--|-------------|--|--|--|--|--|---|---|----|-----|-----|------|---|---|----|-----|-----|------|--|------|------|------|------|------|--|--|--|--|------|--|--------------|----------|----------|-----------|--|
| | | Description US-En.1-VA-GLT-1 3/8-16 UNC +.005" | | | | | | | | | | | | | | | | | | | | | | | | | | | | | | | | | | | | | | | | |
| <table border="1"> <tr> <th colspan="6">General tolerances</th> </tr> <tr> <th colspan="6">ISO 2768-mk</th> </tr> <tr> <td>></td> <td>6</td> <td>30</td> <td>120</td> <td>400</td> <td>1000</td> </tr> <tr> <td>≤</td> <td>6</td> <td>30</td> <td>120</td> <td>400</td> <td>1000</td> </tr> <tr> <td></td> <td>±0,1</td> <td>±0,2</td> <td>±0,3</td> <td>±0,5</td> <td>±0,8</td> </tr> <tr> <td></td> <td></td> <td></td> <td></td> <td>±1,2</td> <td></td> </tr> </table> | | General tolerances | | | | | | ISO 2768-mk | | | | | | > | 6 | 30 | 120 | 400 | 1000 | ≤ | 6 | 30 | 120 | 400 | 1000 | | ±0,1 | ±0,2 | ±0,3 | ±0,5 | ±0,8 | | | | | ±1,2 | | Sheet 1/1 | View | Customer | Component | |
| General tolerances | | | | | | | | | | | | | | | | | | | | | | | | | | | | | | | | | | | | | | | | | | |
| ISO 2768-mk | | | | | | | | | | | | | | | | | | | | | | | | | | | | | | | | | | | | | | | | | | |
| > | 6 | 30 | 120 | 400 | 1000 | | | | | | | | | | | | | | | | | | | | | | | | | | | | | | | | | | | | | |
| ≤ | 6 | 30 | 120 | 400 | 1000 | | | | | | | | | | | | | | | | | | | | | | | | | | | | | | | | | | | | | |
| | ±0,1 | ±0,2 | ±0,3 | ±0,5 | ±0,8 | | | | | | | | | | | | | | | | | | | | | | | | | | | | | | | | | | | | | |
| | | | | ±1,2 | | | | | | | | | | | | | | | | | | | | | | | | | | | | | | | | | | | | | | |
| Issued by CAD/TF | Date of issue 18.05.2018 | Replaced by | | Material no. | Order no. BU50C344.5011 | | | | | | | | | | | | | | | | | | | | | | | | | | | | | | | | | | | | | |
| Checked by | Date | Replacement for | | Customer drawing no. | Drawing no. BU50C344.5011 | | | | | | | | | | | | | | | | | | | | | | | | | | | | | | | | | | | | | |

A3