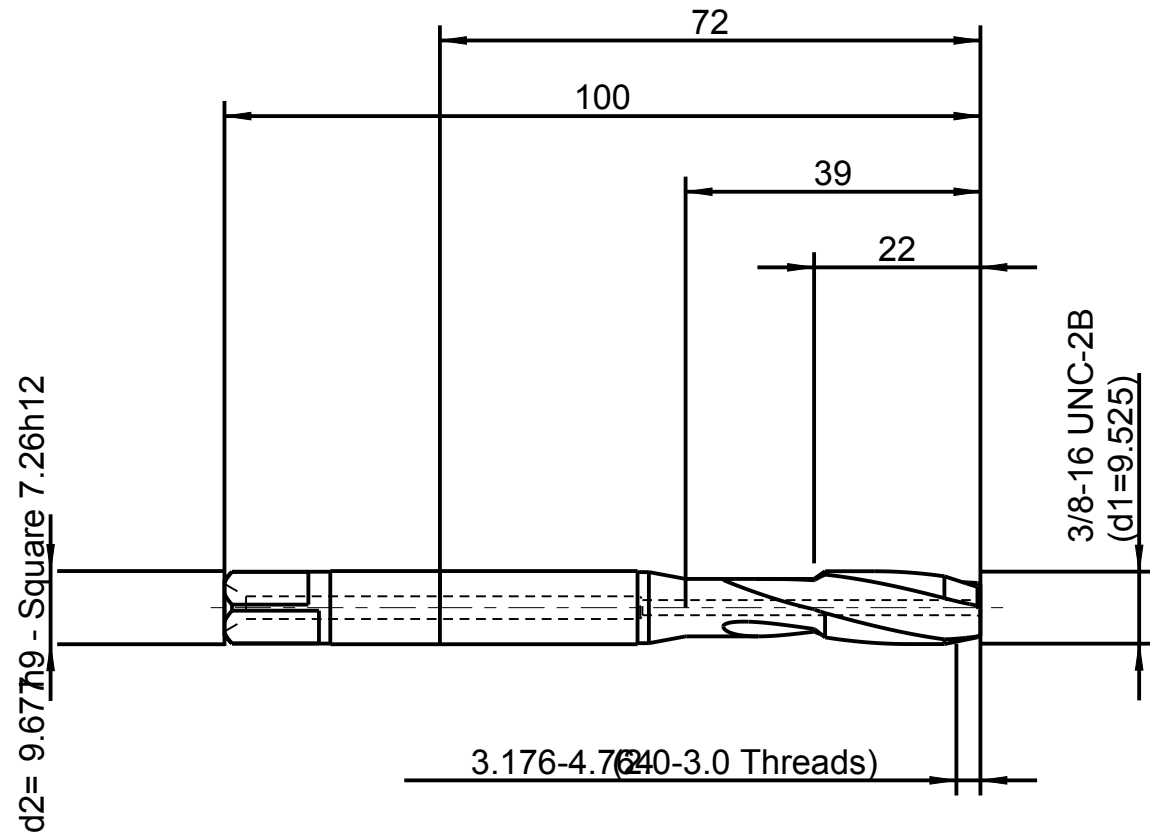


Wahrscheinlich eine Herstellung dieses Dokuments, Vorzeichnung und Mitteilung seines Inhalts sind verboten, soweit nicht ausdrücklich gestattet. Zuwiderhandlungen verpflichten zu Schadenersatz. Alle Rechte für den Fall der Patent-, Gebrauchsmuster- oder Geschmacksurteilverletzung vorbehalten.
 "Schutzvermerk nach DIN ISO 16016 beachten" Technische Änderungen vorbehalten!

Issued with CAD! Changes to be made only on the CAD/CAM modell


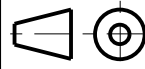
The reproduction, distribution and utilization of this document as well as the communication of its contents to others without explicit authorization is prohibited, unless otherwise indicated. All rights reserved in the event of the grant of a patent, utility model or design.
 "Observe protective mark according to DIN ISO 16016" Technical data is subject to change without notice!



1:1

Identification

EMUGE-STEEL Rekord 1 D-STEEL-IKZ-TICN 3/8-16 UNC-2B
 Kom.-Nr.

 EMUGE-Werk Richard Glimpel GmbH & Co. KG www.emuge-franken.com		Document Type		Documentary drawing																				
		Description				US-Rek.1D-STEEL-IKZ-TICN 3/8-16 UNC-2B																		
General tolerances ISO 2768-mk		Sheet	View	Customer		Component																		
<table border="1"> <tr> <td>></td> <td>6</td> <td>30</td> <td>120</td> <td>400</td> <td>1000</td> </tr> <tr> <td>≤</td> <td>6</td> <td>30</td> <td>120</td> <td>400</td> <td>2000</td> </tr> <tr> <td></td> <td>±0,1</td> <td>±0,2</td> <td>±0,3</td> <td>±0,5</td> <td>±0,8 ±1,2</td> </tr> </table>		>	6	30	120	400	1000	≤	6	30	120	400	2000		±0,1	±0,2	±0,3	±0,5	±0,8 ±1,2	1/1		Material no.		Order no.
>	6	30	120	400	1000																			
≤	6	30	120	400	2000																			
	±0,1	±0,2	±0,3	±0,5	±0,8 ±1,2																			
Issued by CAD/TF		Date of issue 18.05.2018	Replaced by	Customer drawing no.		Drawing no.																		
Checked by		Date	Replacement for	Customer drawing no.		Drawing no.																		
						BU979000.5011																		
						BU979000.5011																		