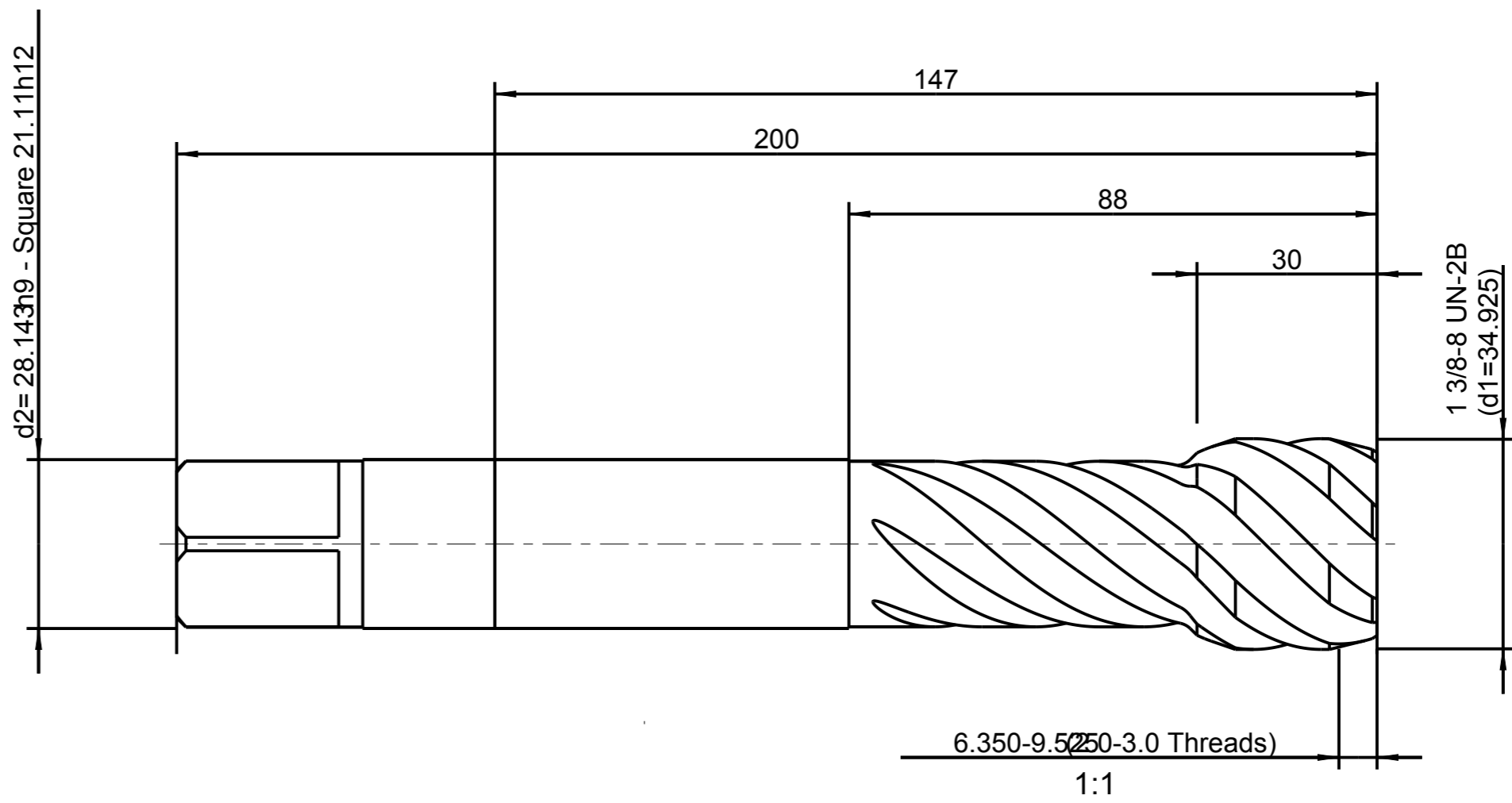


Wahrheitshaftigkeit dieses Dokuments, Vervielfältigung und Mitteilung dieses Dokuments ist ohne schriftliche Genehmigung der EMUGE-FRANKEN GmbH & Co. KG. Alle Rechte für den Fall der Patent-, Gebrauchsmuster- oder Geschmackschutzrechte vorbehalten. "Schutzvermerk nach DIN ISO 16016 beachten" Technische Änderungen vorbehalten!


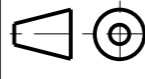
Issued with CAD! Changes to be made only on the CAD/CAM modell

The reproduction, distribution and utilization of this document as well as the communication of its contents to others without explicit authorization is prohibited. All rights reserved in the event of the grant of a patent, utility model or design. "Observe protective mark according to DIN ISO 16016" Technical data is subject to change without notice!



Identification

EMUGE-Z Enorm2-Z-GLT-1 1 3/8-8 UN-2B  
44°25'/112 Kom.-Nr.

 EMUGE-Werk Richard Glimpel GmbH & Co. KG www.emuge-franken.com		Document Type																			
		Documentary drawing																			
General tolerances ISO 2768-mk <table border="1"> <tr> <td>&gt;</td> <td>6</td> <td>30</td> <td>120</td> <td>400</td> <td>1000</td> </tr> <tr> <td>≤</td> <td>±0,1</td> <td>±0,2</td> <td>±0,3</td> <td>±0,5</td> <td>±0,8</td> </tr> <tr> <td></td> <td></td> <td></td> <td></td> <td>±1,2</td> <td></td> </tr> </table>		>	6	30	120	400	1000	≤	±0,1	±0,2	±0,3	±0,5	±0,8					±1,2		Sheet	View
>	6	30	120	400	1000																
≤	±0,1	±0,2	±0,3	±0,5	±0,8																
				±1,2																	
		1/1																			
Scale	1:1																				
Issued by	Date of issue	Replaced by	Customer																		
CAD/TF	18.05.2018		Material no.																		
Checked by	Date	Replacement for	Order no.																		
			CU50C400.5251																		
			Customer drawing no.																		
			Drawing no.																		
			CU50C400.5251																		
			Component																		
			-																		

US-En.2-Z-GLT-1  
1 3/8-8 UN-2B

A3