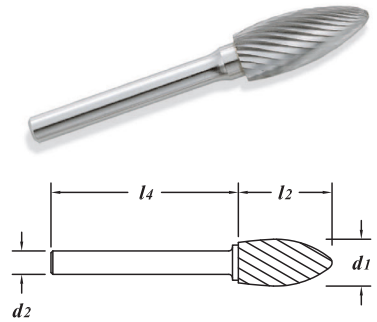


# SH (1/4" Steel Shank)

## Carbide Rotary Files - Flame Shape

Submicron Grain Carbide

D - Double Cut



EDP#	TOOL #	$d1$ † Diameter		$d2$ Shank Diameter	$l2$ Flute Length	$l4$ Shank Length	1-11	12-24	25-49	50-100	
		Decimal	Metric								
66010	SH-2	.3125	5/16"	7.938	1/4"	3/4"	1-3/4"	14.12	13.51	12.89	12.28
66012	SH-2D	.3125	5/16"	7.938	1/4"	3/4"	1-3/4"	14.12	13.51	12.89	12.28
66020	SH-5	.5000	1/2"	12.700	1/4"	1-1/4"	1-3/4"	28.88	27.62	26.37	25.11
66022	SH-5D	.5000	1/2"	12.700	1/4"	1-1/4"	1-3/4"	28.88	27.62	26.37	25.11
66030	SH-6	.6250	5/8"	15.875	1/4"	1-7/16"	1-3/4"	37.86	36.21	34.57	32.92
66032	SH-6D	.6250	5/8"	15.875	1/4"	1-7/16"	1-3/4"	37.86	36.21	34.57	32.92
66040	SH-7	.7500	3/4"	19.050	1/4"	1-5/8"	1-3/4"	46.52	44.50	42.47	40.45
66042	SH-7D	.7500	3/4"	19.050	1/4"	1-5/8"	1-3/4"	46.52	44.50	42.47	40.45