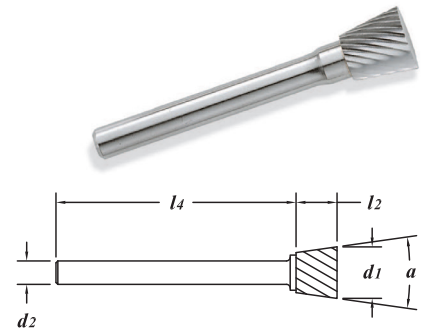


### Carbide Rotary Files - Inverted Cone Shape

Submicron Grain Carbide

D - Double Cut

\* - Solid Carbide



| EDP#  | TOOL #  | $d1$ †  |          | $d2$<br>Shank<br>Diameter | $a$<br>Included<br>Angle | $l2$<br>Flute<br>Length | $l4$<br>Shank<br>Length | 1-11   | 12-24 | 25-49 | 50-100 |        |
|-------|---------|---------|----------|---------------------------|--------------------------|-------------------------|-------------------------|--------|-------|-------|--------|--------|
|       |         | Decimal | Diameter |                           |                          |                         |                         |        |       |       |        | Metric |
| 71010 | * SN-1  | .2500   | 1/4"     | 6.350                     | 1/4"                     | 10°                     | 5/16"                   | 2"     | 11.11 | 10.63 | 10.14  | 9.66   |
| 71012 | * SN-1D | .2500   | 1/4"     | 6.350                     | 1/4"                     | 10°                     | 5/16"                   | 2"     | 11.11 | 10.63 | 10.14  | 9.66   |
| 71020 | SN-2    | .3750   | 3/8"     | 9.525                     | 1/4"                     | 13°                     | 3/8"                    | 1-3/4" | 13.87 | 13.27 | 12.66  | 12.06  |
| 71022 | SN-2D   | .3750   | 3/8"     | 9.525                     | 1/4"                     | 13°                     | 3/8"                    | 1-3/4" | 13.87 | 13.27 | 12.66  | 12.06  |
| 71030 | SN-3    | .5000   | 1/2"     | 12.700                    | 1/4"                     | 16°                     | 1/2"                    | 1-3/4" | 19.12 | 18.29 | 17.46  | 16.63  |
| 71032 | SN-3D   | .5000   | 1/2"     | 12.700                    | 1/4"                     | 16°                     | 1/2"                    | 1-3/4" | 19.12 | 18.29 | 17.46  | 16.63  |

