

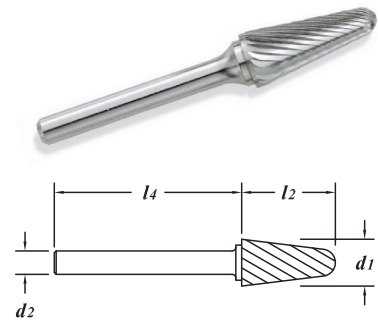
Carbide Rotary Files - Cone-Radius Shape (14° Included Angle)

Submicron Grain Carbide

A - Aluminum Cut

D - Double Cut

* - Solid Carbide



EDP#	TOOL #	$d1$ †		$d2$ Shank Diameter	$l2$ Flute Length	$l4$ Shank Length	1-11	12-24	25-49	50-100	
		Decimal	Diameter Metric								
69010	* SL-1	.2500	1/4"	6.350	1/4"	5/8"	1-3/4"	10.58	10.12	9.66	9.20
69012	* SL-1D	.2500	1/4"	6.350	1/4"	5/8"	1-3/4"	10.58	10.12	9.66	9.20
69020	SL-2	.3125	5/16"	7.938	1/4"	7/8"	1-3/4"	12.64	12.09	11.54	10.99
69022	SL-2D	.3125	5/16"	7.938	1/4"	7/8"	1-3/4"	12.64	12.09	11.54	10.99
69030	SL-3	.3750	3/8"	9.525	1/4"	1-1/16"	1-3/4"	14.98	14.33	13.68	13.03
69031	SL-3A	.3750	3/8"	9.525	1/4"	1-1/16"	1-3/4"	24.97	23.88	22.80	21.71
69032	SL-3D	.3750	3/8"	9.525	1/4"	1-1/16"	1-3/4"	14.98	14.33	13.68	13.03
69040	SL-4	.5000	1/2"	12.700	1/4"	1-1/8"	1-3/4"	18.22	17.42	16.63	15.84
69041	SL-4A	.5000	1/2"	12.700	1/4"	1-1/8"	1-3/4"	30.94	29.59	28.25	26.90
69042	SL-4D	.5000	1/2"	12.700	1/4"	1-1/8"	1-3/4"	18.22	17.42	16.63	15.84
69050	SL-5	.6250	5/8"	15.875	1/4"	1-3/16"	1-3/4"	35.85	34.29	32.73	31.17
69051	SL-5A	.6250	5/8"	15.875	1/4"	1-3/16"	1-3/4"	48.82	46.70	44.57	42.45
69052	SL-5D	.6250	5/8"	15.875	1/4"	1-3/16"	1-3/4"	35.85	34.29	32.73	31.17
69060	SL-7	.7500	3/4"	19.050	1/4"	1-1/2"	1-3/4"	47.31	45.25	43.20	41.14
69062	SL-7D	.7500	3/4"	19.050	1/4"	1-1/2"	1-3/4"	47.31	45.25	43.20	41.14