

Use this number when searching for this item:

## 9005870020000

### Center Drill, 2mm, HSS, Uncoated



#### >> Item Info

EDP #	9005870020000
Series	587
Order Code	2.000
Coating	Uncoated
Coolant Through	No
Cutting Direction	RH
Material	HSS
Point Angle	118°
Shank	Straight
Type	Center Drill

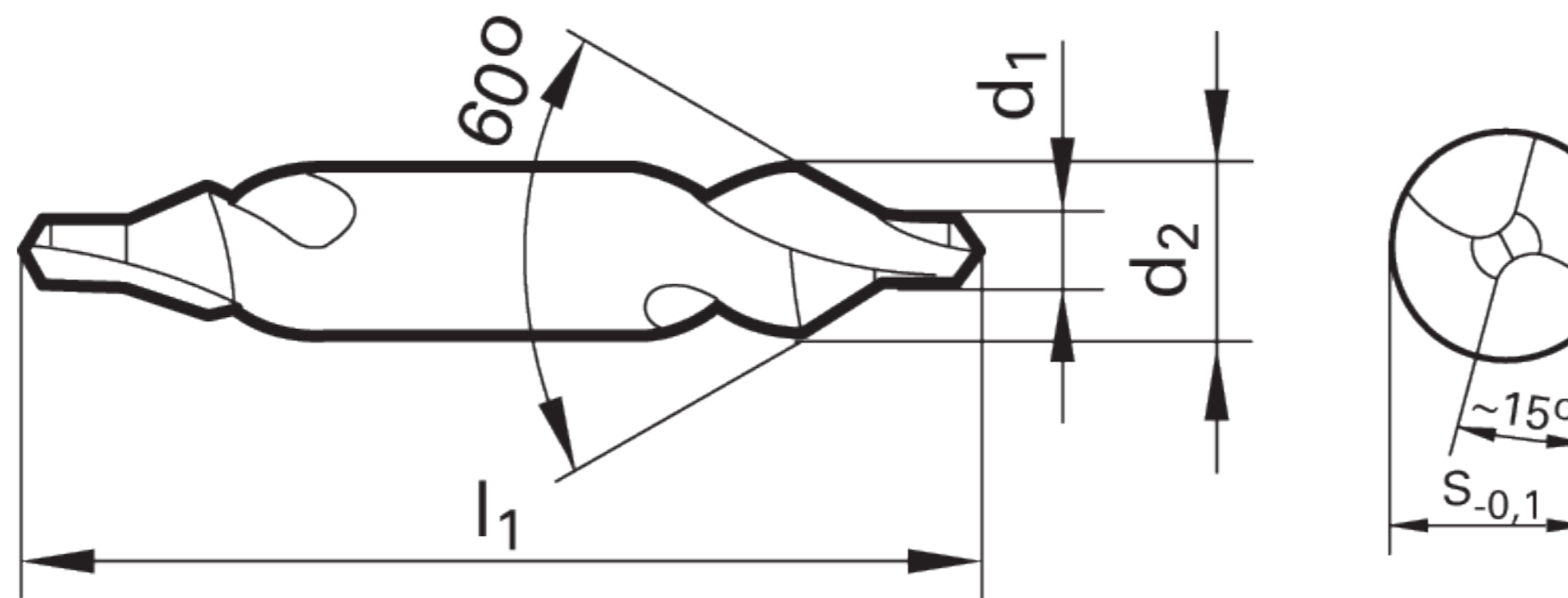
#### >> Features

- relieved cone
- for centre holes to DIN 332, part 1, form A
- without protective countersink

#### >> Suggested Materials

- Aluminum
- Alloyed Steels
- Free Cutting Steels
- Tool Steels
- Stainless Steels
- Ti and Ti-alloys
- Cast Iron
- Brass
- Bronze
- Copper
- Magnesium
- Special Alloys
- Plastic
- Hardened Steels

#### >> Technical Specs



EDP #	Code No.	Cut Ø		Cut Ø		Shank Ø	OAL	Flute Length	Drilling Depth		Shank Type	Flutes
		d1	d1	d1	d1				tmax	tmax		
		mm	inch	frac.	wire / letter	mm	mm	mm	mm	inch		
9005870020000	2.000	2.000	0.0787			5.000	40.00	10.50	7.50	0.295	Straight	2

\*\*\* DISCLAIMER: Data on this PDF is subject to change at any time without notice.