

Use this number when searching for this item:

## 9005890031500

### Center Drill, 3.15mm, HSS, Uncoated



#### >> Item Info

EDP #	9005890031500
Series	589
Order Code	3.150
Coating	Uncoated
Coolant Through	No
Cutting Direction	RH
Material	HSS
Point Angle	118°
Shank	Straight
Type	Center Drill

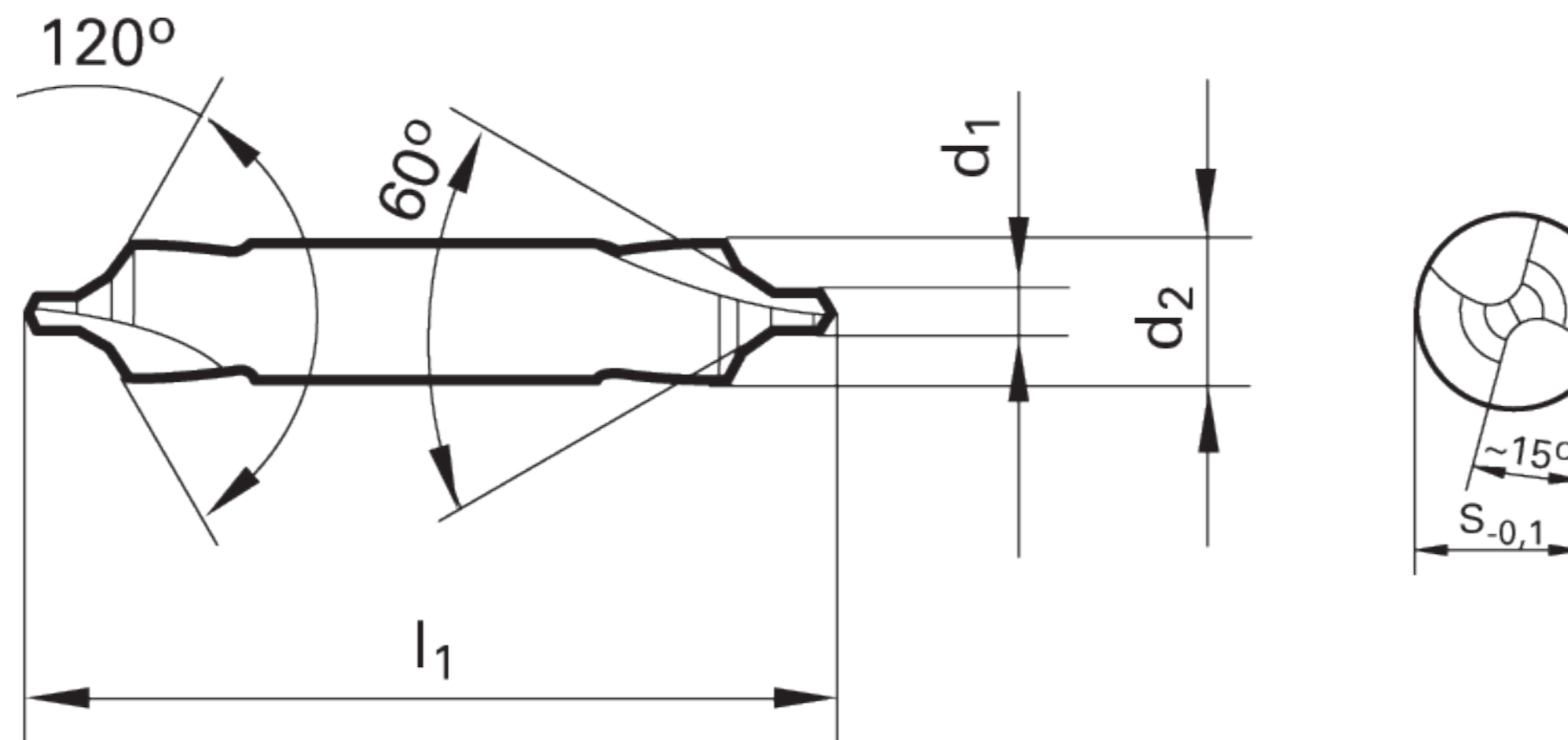
#### >> Features

- relieved cone
- for centre holes acc. to DIN 332, sheet 1, form B
- with protective 120° countersink

#### >> Suggested Materials

- Aluminum
- Alloyed Steels
- Free Cutting Steels
- Tool Steels
- Stainless Steels
- Ti and Ti-alloys
- Cast Iron
- Brass
- Bronze
- Copper
- Magnesium
- Special Alloys
- Plastic
- Hardened Steels

#### >> Technical Specs



EDP #	Code No.	Cut Ø		Cut Ø	Cut Ø	Shank Ø	OAL	Flute Length	Drilling Depth		Shank Type	Flutes
		d1	d1						tmax	tmax		
		mm	inch	frac.	wire / letter	mm	mm	mm	mm	inch		
9005890031500	3.150	3.150	0.1240			11.200	60.00	18.00	13.28	0.523	Straight	2

\*\*\* DISCLAIMER: Data on this PDF is subject to change at any time without notice.