

Use this number when searching for this item:

9005890063000

Center Drill, 6.3mm, HSS, Uncoated



>> Item Info

EDP #	9005890063000
Series	589
Order Code	6.300
Coating	Uncoated
Coolant Through	No
Cutting Direction	RH
Material	HSS
Point Angle	118°
Shank	Straight
Type	Center Drill

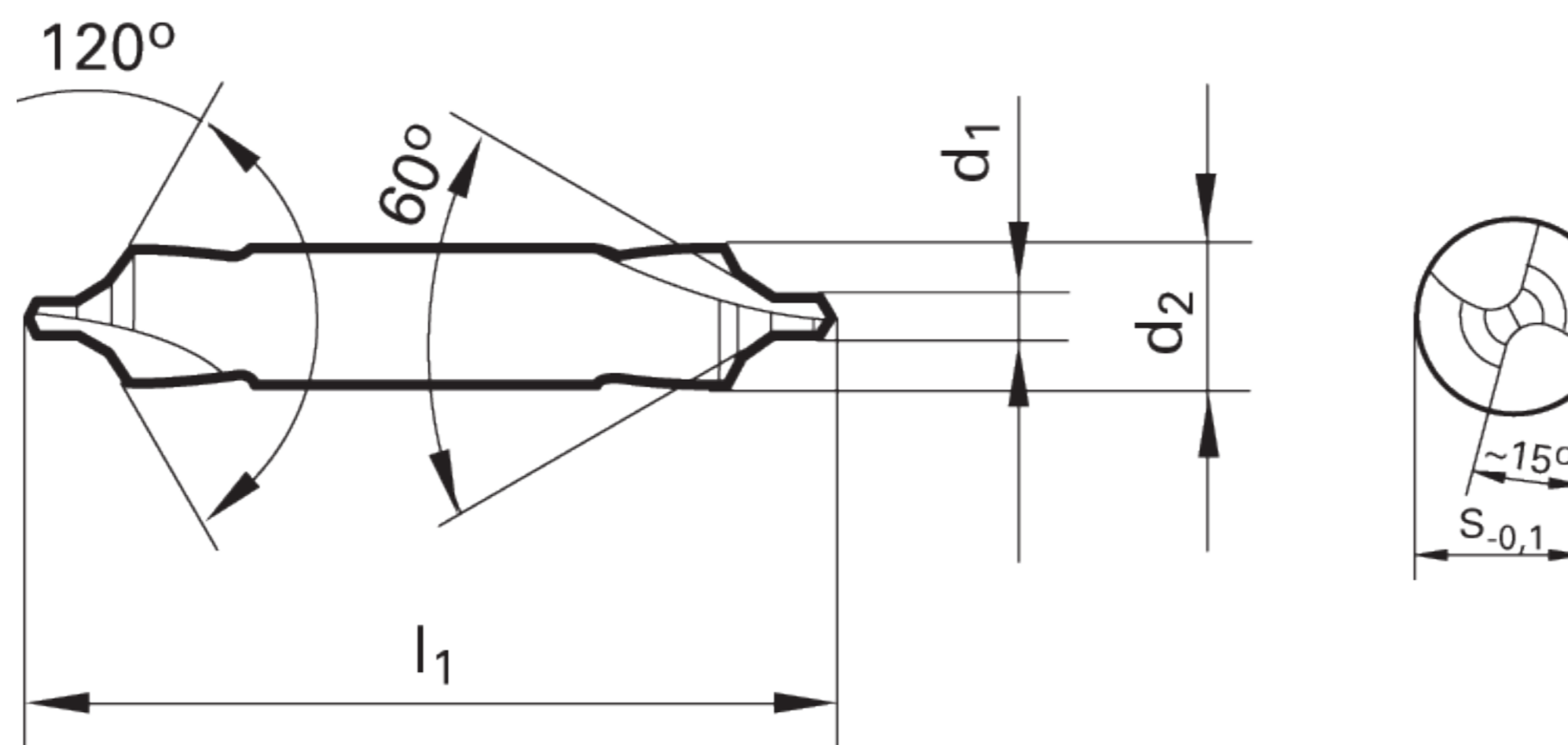
>> Features

- relieved cone
- for centre holes acc. to DIN 332, sheet 1, form B
- with protective 120° countersink

>> Suggested Materials

- Aluminum
- Alloyed Steels
- Free Cutting Steels
- Tool Steels
- Stainless Steels
- Ti and Ti-alloys
- Cast Iron
- Brass
- Bronze
- Copper
- Magnesium
- Special Alloys
- Plastic
- Hardened Steels

>> Technical Specs



EDP #	Code No.	Cut Ø		Cut Ø	Cut Ø	Shank Ø	OAL	Flute Length	Drilling Depth		Shank Type	Flutes
		d1	d1						tmax	tmax		
		mm	inch						frac.	wire / letter		
9005890063000	6.300	6.300	0.2480			20.000	80.00	31.00	21.55	0.848	Straight	2

*** DISCLAIMER: Data on this PDF is subject to change at any time without notice.