

Use this number when searching for this item:

9024790092000

Drill, 9.2mm 5xD, RT 100 X, Carbide, nano-FIREX, Coolant through



>> Item Info

| | |
|-------------------|---------------|
| EDP # | 9024790092000 |
| Series | 2479 |
| Order Code | 9.200 |
| Coating | nano-FIREX |
| Coolant Through | Yes |
| Cutting Direction | RH |
| Drilling Depth | 5xD |
| Material | Carbide |
| Point Angle | 140° |
| Shank | HA |
| Type | RT 100 X |
| Tolerance | m7 |

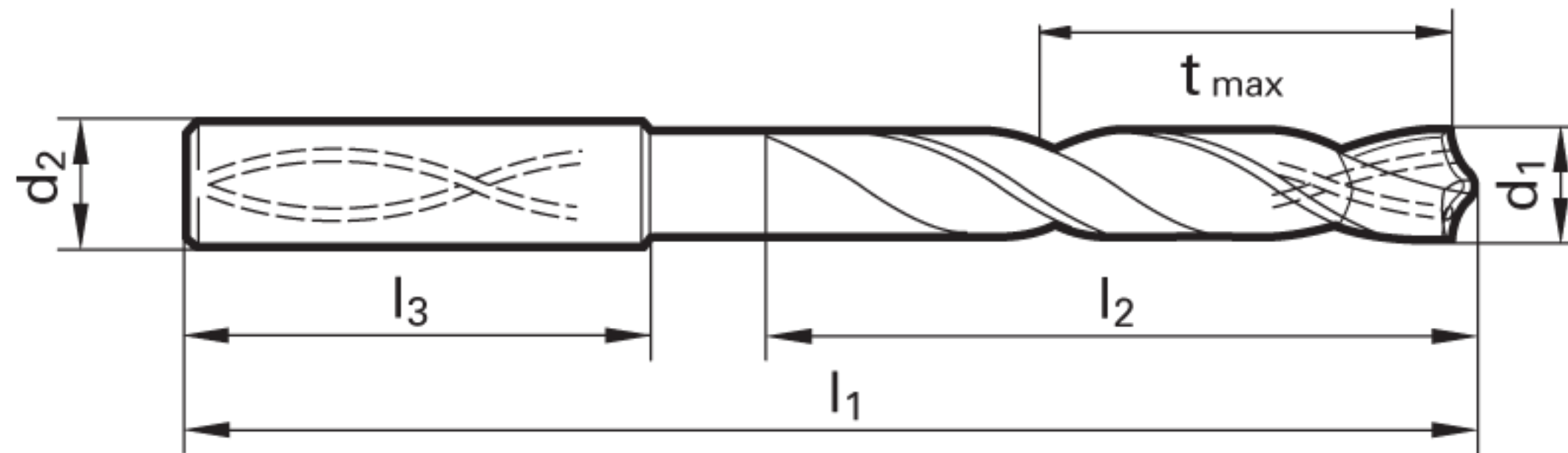
>> Features

- facet point grind
- main cutting edge form straight
- optimized cutting geometry

>> Suggested Materials

- Aluminum
- Alloyed Steels
- Free Cutting Steels
- Tool Steels
- Stainless Steels
- Ti and Ti-alloys
- Cast Iron
- Brass
- Bronze
- Magnesium
- Special Alloys
- Hardened Steels

>> Technical Specs



| EDP # | Code No. | Cut Ø | Cut Ø | Cut Ø | Cut Ø | Shank Ø | OAL | Flute Length | Drilling Depth | Drilling Depth | Shank Length | Shank Type | Flutes |
|---------------|----------|-------|--------|-------|---------------|---------|--------|--------------|----------------|----------------|--------------|------------|--------|
| | | d1 | d1 | d1 | d1 | d2 | l1 | l2 | tmax | tmax | l3 | | |
| | | mm | inch | frac. | wire / letter | mm | mm | mm | mm | inch | mm | | |
| 9024790092000 | 9.200 | 9.200 | 0.3622 | | | 10.00 | 103.00 | 61.00 | 47.20 | 1.858 | 40.00 | Straight | 2 |



WARNING:
This product contains Cobalt, a chemical known to the State of California to cause cancer. For more information go to www.P65Warnings.ca.gov

*** **DISCLAIMER:** Data on this PDF is subject to change at any time without notice.