

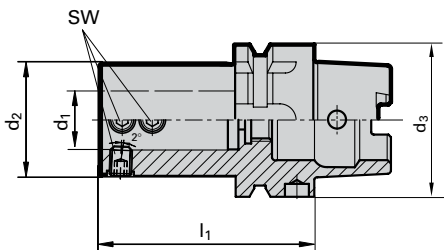
HSK-A adaptors for tapping chucks

Product information

- for quick change chucks and Synchro tapping chucks with straight shank

Scope of delivery

- incl. clamping screws Guhring no. 4903, code no. 12,001
- order coolant delivery set Guhring no. 4949 separately



Series Number **4343**

HSK-A d ₃	d ₁ mm	d ₂ mm	l ₁ mm	SW	kg	Order Code	EDP Numbers
50	25	50	80	6	0.89	25.050	9043430250500
63	25	50	82	6	1.26	25.063	9043430250630
80	25	50	87	6	3.1	25.080	9043430250800
100	25	50	89	6	4.08	25.100	9043430251000

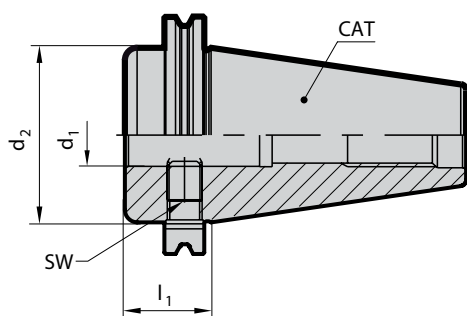
CAT side lock holder extra short

Product information

- balancing quality G6.3 / 15.000 rev./min.
- taper according to ANSI/ASME B5.50
- Coolant through center
- CAT 40 - 5/8 x 11 retention knob thread
- CAT 50 - 1" x 8 retention knob thread

Scope of delivery

- incl. clamping screw Guhring no. 4903



EXCLUSIVELY for
GÜHROSync

Series Number **4087**

CAT	clamping-Ø d ₁ mm	d ₂ mm	l ₁ mm	SW	kg	Order Code	EDP Numbers
40	25	44.5	35	6.0	0.8	25.040	9040870250400
50	25	70.0	35	6.0	2.8	25.050	9040870250500