

## Carbide inserts with material-specific attributes

Four distinct geometries are available with the HT 800 WP drilling system, and they are completely interchangeable with any style drill body. The unique locating post and set screw design assures quick and accurate tool changes. The high performance insert designs allow for maximum penetration rates that far exceed conventional spade drills or dual insert drill designs.

① Choose your diameter (metric or inch)

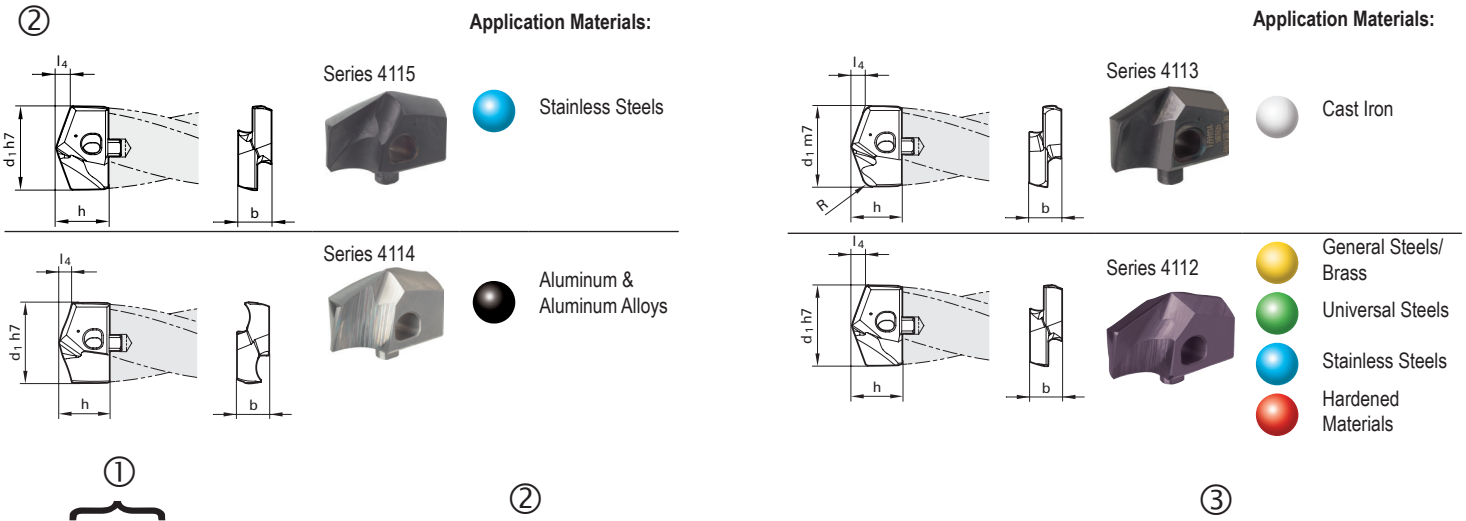
② Choose the appropriate insert for your workpiece material

③ Note the holder size for that insert diameter; select a holder (1.5xD to 10xD) from the holder pages.

①					②				③	
Dia fract.	Dia mm	h mm	b mm	l4 mm	Series 4115 nano-A EDP No.	Series 4114 bright EDP No.	Series 4113 FIREX® EDP No.	Series 4112 nano-FIREX® EDP No.	Drill Holder Size	Pilot Drill Holder Size
	11.00 11.20	7.5	4.5	2.1	9041150110000 9041150112000	9041140110000 9041140112000	9041130110000 9041130112000	9041120110000 9041120112000	110	110
29/64	11.50 11.51 11.70 11.80	7.5	4.5	2.1 2.1 2.1 2.1	9041150115000 9041150115100 9041150117000 9041150118000	9041140115000 9041140115100 9041140117000 9041140118000	9041130115000 9041130115100 9041130117000 9041130118000	9041120115000 9041120115100 9041120117000 9041120118000	115	110
15/32	11.91			2.2	9041150119100	9041140119100	9041130119100	9041120119100		
31/64	12.00 12.10 12.20 12.30	7.7	5.0	2.2 2.2 2.2 2.2	9041150120000 9041150121000 9041150122000 9041150123000	9041140120000 9041140121000 9041140122000 9041140123000	9041130120000 9041130121000 9041130122000 9041130123000	9041120120000 9041120121000 9041120122000 9041120123000	120	120
1/2	12.50 12.60 12.70 12.80 12.90	7.7	5.0	2.3 2.3 2.3 2.3 2.3	9041150125000 9041150126000 9041150127000 9041150128000 9041150129000	9041140125000 9041140126000 9041140127000 9041140128000 9041140129000	9041130125000 9041130126000 9041130127000 9041130128000 9041130129000	9041120125000 9041120126000 9041120127000 9041120128000 9041120129000	125	120
33/64	13.00 13.10	8.5	5.5	2.4 2.4	9041150130000 9041150131000	9041140130000 9041140131000	9041130130000 9041130131000	9041120130000 9041120131000	130	130
17/32	13.49			2.4	9041150134900	9041140134900	9041130134900	9041120134900		
35/64	13.50 13.60 13.70 13.80 13.89	8.5	5.5	2.4 2.4 2.4 2.5 2.5	9041150135000 9041150136000 9041150137000 9041150138000 9041150138900	9041140135000 9041140136000 9041140137000 9041140138000 9041140138900	9041130135000 9041130136000 9041130137000 9041130138000 9041130138900	9041120135000 9041120136000 9041120137000 9041120138000 9041120138900	135	130
9/16	14.00 14.10 14.29 14.40	9.6	6.0	2.5 2.5 2.6 2.6	9041150140000 9041150141000 9041150142900 9041150144000	9041140140000 9041140141000 9041140142900 9041140144000	9041130140000 9041130141000 9041130142900 9041130144000	9041120140000 9041120141000 9041120142900 9041120144000	140	140
37/64	14.50 14.60 14.68 14.70 14.80	9.6	6.0	2.6 2.7 2.7 2.7 2.7	9041150145000 9041150146000 9041150146800 9041150147000 9041150148000	9041140145000 9041140146000 9041140146800 9041140147000 9041140148000	9041130145000 9041130146000 9041130146800 9041130147000 9041130148000	9041120145000 9041120146000 9041120146800 9041120147000 9041120148000	145	140
19/32	15.00 15.08 15.10 15.20 15.30	9.8	6.0	2.7 2.7 2.7 2.8 2.8	9041150150000 9041150150800 9041150151000 9041150152000 9041150153000	9041140150000 9041140150800 9041140151000 9041140152000 9041140153000	9041130150000 9041130150800 9041130151000 9041130152000 9041130153000	9041120150000 9041120150800 9041120151000 9041120152000 9041120153000	150	140
39/64	15.48			2.8	9041150154800	9041140154800	9041130154800	9041120154800		
5/8	15.50 15.60 15.70 15.80 15.87	9.8	6.0	2.8 2.9 2.9 2.9 2.9	9041150155000 9041150156000 9041150157000 9041150158000 9041150158700	9041140155000 9041140156000 9041140157000 9041140158000 9041140158700	9041130155000 9041130156000 9041130157000 9041130158000 9041130158700	9041120155000 9041120156000 9041120157000 9041120158000 9041120158700	155	140
41/64	16.00 16.27	11.0	7.0	2.9 3.0	9041150160000 9041150162700	9041140160000 9041140162700	9041130160000 9041130162700	9041120160000 9041120162700	160	160

Inserts are always supplied with clamping screw, Guhring no. 4071.

# HT 800 WP Interchangeable Inserts For Machining Stainless Steel



Dia fract.	Dia mm	h mm	b mm	l4 mm	Series 4115 nano-A	Series 4114 bright	Series 4113 FIREX®	Series 4112 nano-FIREX®	Drill Holder Size	Pilot Drill Holder Size
					EDP No.	EDP No.	EDP No.	EDP No.		
21/32	16.50	11.0	7.0	3.0	9041150165000	9041140165000	9041130165000	9041120165000	165	160
	16.67				9041150166700	9041140166700	9041130166700	9041120166700		
43/64 11/16	17.00	11.0	7.0	3.1	9041150170000	9041140170000	9041130170000	9041120170000	170	160
	17.07			3.1	9041150170700	9041140170700	9041130170700	9041120170700		
	17.46			3.1	9041150174600	9041140174600	9041130174600	9041120174600		
45/64	17.50	11.0	7.0	3.2	9041150175000	9041140175000	9041130175000	9041120175000	175	160
	17.60			3.2	9041150176000	9041140176000	9041130176000	9041120176000		
	17.86			3.3	9041150178600	9041140178600	9041130178600	9041120178600		
23/32	18.00	12.6	8.0	3.3	9041150180000	9041140180000	9041130180000	9041120180000	180	180
	18.26			3.3	9041150182600	9041140182600	9041130182600	9041120182600		
	18.50			3.4	9041150185000	9041140185000	9041130185000	9041120185000		
47/64	18.65	12.6	8.0	3.4	9041150186500	9041140186500	9041130186500	9041120186500	185	180
	19.00			3.5	9041150190000	9041140190000	9041130190000	9041120190000		
3/4 49/64	19.05	12.6	8.0	3.5	9041150190500	9041140190500	9041130190500	9041120190500	190	180
	19.45			3.5	9041150194500	9041140194500	9041130194500	9041120194500		
	19.50			3.5	9041150195000	9041140195000	9041130195000	9041120195000		
25/32	19.60	12.6	8.0	3.6	9041150196000	9041140196000	9041130196000	9041120196000	195	180
	19.84			3.6	9041150198400	9041140198400	9041130198400	9041120198400		
	20.00			3.6	9041150200000	9041140200000	9041130200000	9041120200000		
51/64	20.24	13.9	9.0	3.6	9041150202400	9041140202400	9041130202400	9041120202400	200	200
	20.50			3.7	9041150205000	9041140205000	9041130205000	9041120205000		
13/16	20.64	13.9	9.0	3.8	9041150206400	9041140206400	9041130206400	9041120206400	205	200
	21.00			3.8	9041150210000	9041140210000	9041130210000	9041120210000		
	21.03			3.8	9041150210300	9041140210300	9041130210300	9041120210300		
53/64	21.10	13.9	9.0	3.9	9041150211000	9041140211000	9041130211000	9041120211000	210	200
	21.43			3.9	9041150214300	9041140214300	9041130214300	9041120214300		
	21.50			3.9	9041150215000	9041140215000	9041130215000	9041120215000		
55/64	21.83	13.9	9.0	4.0	9041150218300	9041140218300	9041130218300	9041120218300	215	200
	22.00			4.0	9041150220000	9041140220000	9041130220000	9041120220000		
7/8	22.22	15.3	10.0	4.0	9041150222200	9041140222200	9041130222200	9041120222200	220	220
	22.50			4.1	9041150225000	9041140225000	9041130225000	9041120225000		
57/64	22.62	15.3	10.0	4.1	9041150226200	9041140226200	9041130226200	9041120226200	225	220
	23.00			4.2	9041150230000	9041140230000	9041130230000	9041120230000		
29/32 59/64	23.02	15.3	10.0	4.2	9041150230200	9041140230200	9041130230200	9041120230200	230	220
	23.42			4.3	9041150234200	9041140234200	9041130234200	9041120234200		
	23.50			4.3	9041150235000	9041140235000	9041130235000	9041120235000		
15/16	23.81	15.3	10.0	4.3	9041150238100	9041140238100	9041130238100	9041120238100	235	220
	24.00			4.4	9041150240000	9041140240000	9041130240000	9041120240000		
61/64	24.10	15.8	11.0	4.4	9041150241000	9041140241000	9041130241000	9041120241000	240	240
	24.21			4.4	9041150242100	9041140242100	9041130242100	9041120242100		
	24.50			4.5	9041150245000	9041140245000	9041130245000	9041120245000		
31/32	24.61	15.8	11.0	4.5	9041150246100	9041140246100	9041130246100	9041120246100	245	240
	25.00			4.5	9041150250000	9041140250000	9041130250000	9041120250000		
1	25.40	15.8	11.0	4.6	9041150254000	9041140254000	9041130254000	9041120254000	250	240
	25.50			4.6	9041150255000	9041140255000	9041130255000	9041120255000		
	25.50			4.6	9041150255000	9041140255000	9041130255000	9041120255000		

Inserts are always supplied with clamping screw, Guhring no. 4071.

# Carbide inserts with material-specific attributes



Dia fract.	Dia mm	h mm	b mm	l4 mm	Series 4115 nano-A	Series 4114 bright	Series 4113 FIREX®	Series 4112 nano-FIREX®	Drill Holder Size	Pilot Drill Holder Size
					EDP No.	EDP No.	EDP No.	EDP No.		
1 1/32	26.00	20.00	12.00	4.80	9041150260000	9041140260000	9041130260000	9041120260000	260	260
	26.19	20.00	12.00	4.80	9041150261900	9041140261900	9041130261900	9041120261900		
1 3/64	26.50	20.00	12.00	4.90	9041150265000	9041140265000	9041130265000	9041120265000	265	260
	26.59	20.00	12.00	4.90	9041150265900	9041140265900	9041130265900	9041120265900		
1 3/32	27.00	20.00	12.00	5.00	9041150270000	9041140270000	9041130270000	9041120270000	270	260
	27.50	20.00	12.00	5.10	9041150275000	9041140275000	9041130275000	9041120275000		
	27.70	20.00	12.00	5.10	9041150277000	9041140277000	9041130277000	9041120277000		
	27.78	20.00	12.00	5.10	9041150277800	9041140277800	9041130277800	9041120277800		
1 7/64	28.00	20.70	13.00	5.10	9041150280000	9041140280000	9041130280000	9041120280000	275	260
	28.18	20.70	13.00	5.20	9041150281800	9041140281800	9041130281800	9041120281800		
1 1/8	28.50	20.70	13.00	5.20	9041150285000	9041140285000	9041130285000	9041120285000	280	280
	28.58	20.70	13.00	5.30	9041150285800	9041140285800	9041130285800	9041120285800		
1 5/32	29.00	20.70	13.00	5.30	9041150290000	9041140290000	9041130290000	9041120290000	285	280
	29.37	20.70	13.00	5.40	9041150293700	9041140293700	9041130293700	9041120293700		
1 11/64	29.50	20.70	13.00	5.40	9041150295000	9041140295000	9041130295000	9041120295000	290	280
	29.60	20.70	13.00	5.50	9041150296000			9041120296000		
	29.77	20.70	13.00	5.50	9041150297700	9041140297700	9041130297700	9041120297700		
1 3/16	30.00	22.30	14.00	5.50	9041150300000	9041140300000	9041130300000	9041120300000	295	280
	30.16	22.30	14.00	5.60	9041150301600	9041140301600	9041130301600	9041120301600		
1 7/32	30.50	22.30	14.00	5.70	9041150305000	9041140305000	9041130305000	9041120305000	300	300
	30.96	22.30	14.00	5.70	9041150309600	9041140309600	9041130309600	9041120309600		
	31.00	22.30	14.00	5.80	9041150310000	9041140310000	9041130310000	9041120310000		
1 1/4	31.50	22.30	14.00	5.80	9041150315000	9041140315000	9041130315000	9041120315000	305	300
	31.75	22.30	14.00	5.90	9041150317500	9041140317500	9041130317500	9041120317500		
1 9/32	32.00	23.10	15.00	6.00	9041150320000	9041140320000	9041130320000	9041120320000	310	300
	32.50	23.10	15.00	6.00	9041150325000	9041140325000	9041130325000	9041120325000		
	32.54	23.10	15.00	6.00	9041150325400	9041140325400	9041130325400	9041120325400		
	32.94	23.10	15.00	6.10	9041150329400	9041140329400	9041130329400	9041120329400		
1 19/64	33.00	23.10	15.00	6.10	9041150330000	9041140330000	9041130330000	9041120330000	315	300
	33.34	23.10	15.00	6.10	9041150333400	9041140333400	9041130333400	9041120333400		
	33.50	23.10	15.00	6.20	9041150335000	9041140335000	9041130335000	9041120335000		
1 5/16	34.00	23.10	15.00	6.30	9041150340000	9041140340000	9041130340000	9041120340000	320	320
	34.13	23.10	15.00	6.30	9041150341300	9041140341300	9041130341300	9041120341300		
	34.50	23.10	15.00	6.40	9041150345000	9041140345000	9041130345000	9041120345000		
1 3/8	34.93	23.10	15.00	6.40	9041150349300	9041140349300	9041130349300	9041120349300	320	320
	35.00	23.10	15.00	6.50	9041150350000	9041140350000	9041130350000	9041120350000		
	35.50	23.10	15.00	6.60	9041150355000	9041140355000	9041130355000	9041120355000		
1 13/32	35.72	23.10	15.00	6.60	9041150357200	9041140357200	9041130357200	9041120357200	330	320
	36.00	23.90	16.00	6.70	9041150360000	9041140360000	9041130360000	9041120360000		
1 7/16	36.50	23.90	16.00	6.70	9041150365000	9041140365000	9041130365000	9041120365000	335	320
	36.51	23.90	16.00	6.80	9041150365100	9041140365100	9041130365100	9041120365100		
	37.00	23.90	16.00	6.80	9041150370000	9041140370000	9041130370000	9041120370000		
1 15/32	37.31	23.90	16.00	6.90	9041150373100	9041140373100	9041130373100	9041120373100	340	320
	37.50	23.90	16.00	7.00	9041150375000	9041140375000	9041130375000	9041120375000		
	38.00	23.90	16.00	7.00	9041150380000	9041140380000	9041130380000	9041120380000		
1 1/2	38.10	23.90	16.00	7.00	9041150381000	9041140381000	9041130381000	9041120381000	345	360
	38.50	23.90	16.00	7.10	9041150385000	9041140385000	9041130385000	9041120385000		
1 33/64	39.00	23.90	16.00	7.10	9041150390000	9041140390000	9041130390000	9041120390000	350	360
	39.50	23.90	16.00	7.20	9041150395000	9041140395000	9041130395000	9041120395000		
	40.00	23.90	16.00	7.30	9041150400000	9041140400000	9041130400000	9041120400000		

Inserts are always supplied with clamping screw, Guhring no. 4071.