

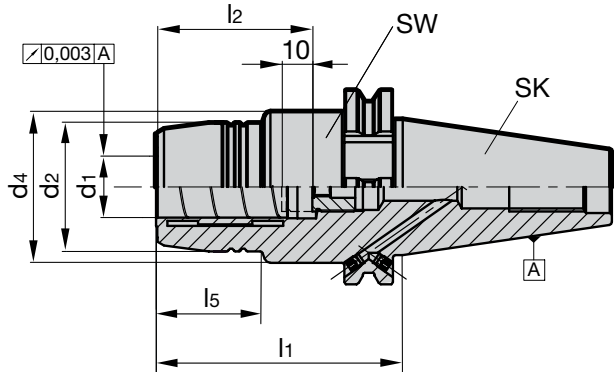
ISO taper hydraulic chucks with increased clamping force

Product information

- ISO taper to DIN 69871 form AD/B
- form B supplied with threaded pins in bores
- balancing quality: G2.5 / 25,000 rev./min or U < 1gmm
- axial length setting
- for tool shank tolerance h6

Scope of delivery

- incl. adjustment screw Guhring no. 4900
- incl. hexagon chuck key Guhring no. 4912
- order pull studs Guhring no. 4925, 4926 separately



Series Number **4213**

ISO taper	for shank Ø d ₁ h ₆ mm	d ₂ mm	d ₄ mm	l ₁ mm	l ₂ mm	l ₅ mm	incl. setting screw 4900 ...	SW	kg	Order Code	EDP Numbers
40	6	26	49.5	80.5	37	29.5	904900060140	5	1.50	6.040	9042130060400
40	8	28	49.5	80.5	37	30	904900080140	5	1.50	8.040	9042130080400
40	10	30	49.5	80.5	41	31	9049000100140	5	1.50	10.040	9042130100400
40	12	32	49.5	80.5	46	31.5	9049000120140	5	1.50	12.040	9042130120400
40	14	34	49.5	80.5	46	31.5	9049000120140	5	1.50	14.040	9042130140400
40	16	38	49.5	80.5	49	33	9049000160140	5	1.50	16.040	9042130160400
40	18	40	49.5	80.5	49	33	9049000201140	5	1.50	18.040	9042130180400
40	20	49.5	49.5	64.5	51	-	9049000201140	6	1.50	20.040	9042130200400
40	20	42	49.5	80.5	51	34	9049000201140	6	1.50	20.140	9042130201400
40	20	42	49.5	110	51	34	9049000200140	6	2.00	20.240	9042130202400
40	25	49.5	49.5	80.5	57	61.5	9049000200140	6	2.00	25.040	9042130250400
40	32	63	80	80.5	61	25.5	9049000200140	6	2.00	32.040	9042130320400
50	12	32	49.5	80.5	46	31.5	9049000120140	5	3.50	12.050	9042130120500
50	20	42	49.5	80.5	51	34	9049000201140	6	4.00	20.050	9042130200500
50	20	42	49.5	110	51	34	9049000201140	6	4.00	20.150	9042130201500
50	32	72	72	81	61	-	9049000201140	6	4.00	32.050	9042130320500