

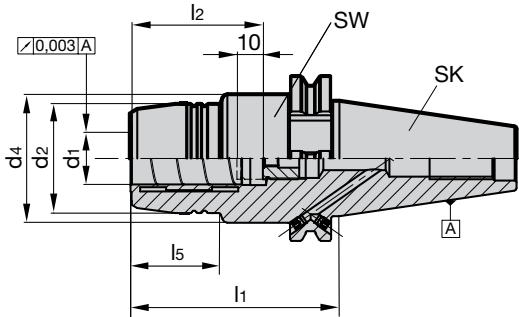
CAT hydraulic holder

Product information

- balancing quality: G2.5 / 25,000 rev./min or U< 1gmm
- Taper according to ANSI/ASME B 5.50
- Coolant through center and also through flange (plugged with set screws when supplied)
- Axial length setting
- CAT 40 - 5/8 x 11 retention knob thread
- CAT 50 - 1" x 8 retention knob thread

Scope of delivery

- Including setting screw, Guhring no. 4900
- Including hex wrench, Guhring no. 4912
- Special dimensions on request



Series Number **4216**

CAT	for clamping dia. d1 in h6 inch	d ₂ mm	d ₄ mm	l ₁ mm	l ₂ mm	l ₅ mm	SW	incl. setting screw 4900 ...	Order Code	EDP Numbers
40	1/4	26	44.5	64	37	29.5	5	904900060140	106.040	9042161060400
40	3/8	30	44.5	64	41	31	5	904900080140	109.040	9042161090400
40	1/2	32	44.5	64	46	31.5	5	9049000120140	112.040	9042161120400
40	5/8	38	44.5	64	49	33	5	9049000160140	115.040	9042161150400
40	3/4	40	44.5	64	49	33	5	9049000160140	119.040	9042161190400
40	1	49.5	44.5	81	57	40	6	9049000201140	125.040	9042161250400
40	1 1/4	63	80	81	61	25.5	6	9049000201140	131.040	9042161310400
50	1/4	26	69.9	81	37	29.5	5	904900060140	106.050	9042161060500
50	3/8	30	69.9	81	41	31	5	904900080140	109.050	9042161090500
50	1/2	32	69.9	81	46	31.5	5	9049000120140	112.050	9042161120500
50	5/8	38	69.9	81	49	33	5	9049000160140	115.050	9042161150500
50	3/4	40	69.9	81	49	33	5	9049000201140	119.050	9042161190500
50	1	57	69.9	81	57	40	6	9049000201140	125.050	9042161250500
50	1 1/4	63	69.9	81	61	45	6	9049000201140	131.050	9042161310500
40	6	26	44.5	64	37	29.5	5	904900060140	6.040	9042160060400
40	8	28	44.5	64	37	30	5	904900080140	8.040	9042160080400
40	10	30	44.5	64	41	31	5	9049000100140	10.040	9042160100400
40	12	32	44.5	64	46	31.5	5	9049000120140	12.040	9042160120400
40	14	34	44.5	64	46	31.5	5	9049000120140	14.040	9042160140400
40	16	38	44.5	64	49	33	5	9049000160140	16.040	9042160160400
40	18	40	44.5	64	49	33	5	9049000160140	18.040	9042160180400
40	20	42	44.5	64	51	34	5	9049000201140	20.040	9042160200400
40	25	49.5	44.5	81	57	40	6	9049000201140	25.040	9042160250400
40	32	63	80	81	61	25.5	6	9049000201140	32.040	9042160320400
50	6	26	69.9	81	37	29.5	5	904900060140	6.050	9042160060500
50	8	28	69.9	81	37	30	5	904900080140	8.050	9042160080500
50	10	30	69.9	81	41	31	5	9049000100140	10.050	9042160100500
50	12	32	69.9	81	46	31.5	5	9049000120140	12.050	9042160120500
50	14	34	69.9	81	46	31.5	5	9049000120140	14.050	9042160140500
50	16	38	69.9	81	49	33	5	9049000160140	16.050	9042160160500
50	18	40	69.9	81	49	33	5	9049000160140	18.050	9042160180500
50	20	42	69.9	81	51	34	5	9049000201140	20.050	9042160200500
50	25	57	69.9	81	57	40	6	9049000201140	25.050	9042160250500
50	32	63	69.9	81	61	45	6	9049000201140	32.050	9042160320500