

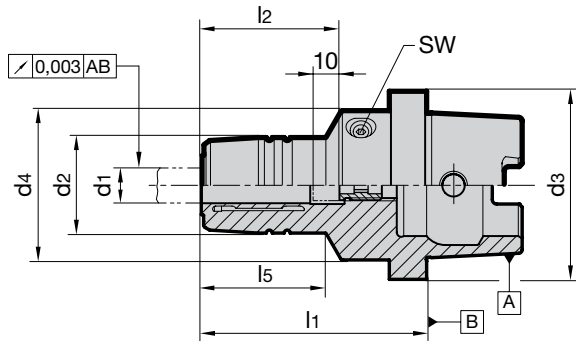
HSK-C hydraulic chucks with increased clamping force

Product information

- balancing quality: G2.5 / 25,000 rev./min or U < 1gmm
- axial length setting
- for tool shank tolerance h6

Scope of delivery

- incl. adjustment screw Guhring no. 4900
- incl. hexagon chuck key Guhring no. 4912



Series Number **4267**

HSK-C d ₃	for shank Ø d _{1 h6} mm	d ₂ mm	d ₄ mm	l ₁ mm	l ₂ mm	l ₅ mm	incl. setting screw 4900	SW	kg	Order Code	EDP Numbers
32	6	26	32	65	37.5	33	9049000060140	4	0.40	6.032	9042670060320
32	8	28	32	67	37.5	34	9049000080140	4	0.40	8.032	9042670080320
32	10	30	32	72.7	42.5	39	9049000080140	4	0.40	10.032	9042670100320
32	12	31.5	32	76	46	45	9049000080140	4	0.40	12.032	9042670120320
40	6	26	33.5	60	37	35	9049000060140	4	0.40	6.040	9042670060400
40	8	28	33.5	60	37	36	9049000080140	4	0.40	8.040	9042670080400
40	10	30	33.5	65	41	41	9049000080140	4	0.50	10.040	9042670100400
40	12	32	33.5	70	46	47	9049000080140	4	0.60	12.040	9042670120400
50	6	26	50	60	37	30	9049000060140	4	0.70	6.050	9042670060500
50	8	28	50	60	37	30	9049000080140	5	0.70	8.050	9042670080500
50	10	30	50	65	41	35	9049000100140	5	0.70	10.050	9042670100500
50	12	32	50	75	46	44	9049000120140	5	0.80	12.050	9042670120500
50	14	34	50	75	46	46	9049000120140	5	0.70	14.050	9042670140500
50	16	38	50	80	49	51	9049000160140	5	0.80	16.050	9042670160500
50	18	40	50	80	49	51	9049000160140	5	1.50	18.050	9042670180500
50	20	42	50	80	51	52	9049000200140	5	1.20	20.050	9042670200500
63	6	26	50	60	37	25	9049000060140	5	1.00	6.063	9042670060630
63	8	28	50	60	37	26	9049000080140	5	1.00	8.063	9042670080630
63	10	30	50	65	41	31	9049000100140	5	1.00	10.063	9042670100630
63	12	32	50	75	46	41	9049000120140	5	1.10	12.063	9042670120630
63	14	34	50	75	46	42	9049000120140	5	1.00	14.063	9042670140630
63	16	38	50	80	49	48	9049000160140	5	1.10	16.063	9042670160630
63	18	40	50	80	49	48	9049000160140	5	1.20	18.063	9042670180630
63	20	42	50	80	51	49	9049000201140	5	1.20	20.063	9042670200630
63	25	50	63	95	57	63	9049000201140	5	2.00	25.063	9042670250630
63	32	62.5	75	100	61	60	9049000201140	5	2.00	32.063	9042670320630