

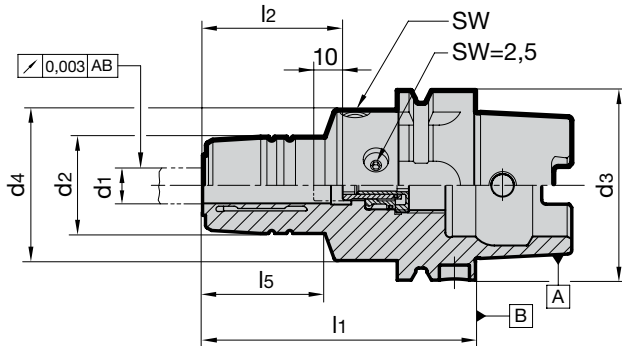
HSK-A hydraulic chucks with radial length setting

Product information

- balancing quality: G2.5 / 25,000 rev./min or U < 1gmm
- robust, radially operated length setting
- max. deviation f. concentricity 3 µm
- for tool shank tolerance h6
- to DIN 69882-7

Scope of delivery

- incl. hexagon chuck key Guhring no. 4912
- incl. hexagon key inserts for radial length setting
- order coolant delivery set Guhring no. 4949 separately
- MQL design available as an option



Series Number **4296**

HSK-A d ₃	for shank Ø d ₁ h ₆ mm	d ₂ mm	d ₄ mm	l ₁ mm	l ₂ mm	l ₃ mm	SW	kg	Order Code	EDP Numbers
50	6	26	40	80	37	35	5	0.80	6.050	9042960060500
50	8	28	40	80	37	36	5	0.80	8.050	9042960080500
50	10	30	40	85	41	38	5	0.90	10.050	9042960100500
50	12	32	40	90	46	47	5	0.90	12.050	9042960120500
50	14	34	40	90	46	46	5	1.00	14.050	9042960140500
50	16	38	53	95	49	36.5	5	1.20	16.050	9042960160500
50	18	40	57	95	49	36.5	5	1.20	18.050	9042960180500
50	20	42	60	100	51	39	5	1.30	20.050	9042960200500
63	6	26	50	80	37	33	5	1.00	6.063	9042960060630
63	8	28	50	80	37	33	5	1.10	8.063	9042960080630
63	10	30	50	85	41	38	5	1.10	10.063	9042960100630
63	12	32	50	90	46	40	5	1.20	12.063	9042960120630
63	14	34	50	90	46	46	5	1.20	14.063	9042960140630
63	16	38	50	95	50.5	51	5	1.30	16.063	9042960160630
63	18	40	50	95	49	52	5	1.30	18.063	9042960180630
63	20	42	50	200	51	58	5	1.40	20.063	9042960200630
63	25	57	63	120	57	59.5	6	2.30	25.063	9042960250630
63	32	64	75	125	61	62.5	6	2.30	32.063	9042960320630
80	6	26	50	85	37	35.5	5	1.50	6.080	9042960060800
80	8	28	50	85	37	36	5	1.50	8.080	9042960080800
80	10	30	50	90	41	38	5	1.50	10.080	9042960100800
80	12	32	50	95	46	40	5	1.60	12.080	9042960120800
80	14	34	50	95	46	41	5	1.60	14.080	9042960140800
80	16	38	50	100	49	46	5	1.60	16.080	9042960160800
80	18	40	50	100	49	46	5	1.80	18.080	9042960180800
80	20	42	50	105	51	51	5	1.80	20.080	9042960200800
80	25	57	63	115	57	58.5	6	2.60	25.080	9042960250800
80	32	64	75	125	61	58.5	6	2.60	32.080	9042960320800
100	6	26	50	85	37	33	5	2.50	6.100	9042960061000
100	8	28	50	85	37	33	5	2.70	8.100	9042960081000
100	10	30	50	90	41	36	5	2.80	10.100	9042960101000
100	12	32	50	95	46	40	5	2.80	12.100	9042960121000
100	14	34	50	95	46	46	5	2.70	14.100	9042960141000
100	16	38	50	100	49	51	5	2.90	16.100	9042960161000
100	18	40	50	100	49	52	5	2.80	18.100	9042960181000
100	20	42	50	105	51	58	5	3.20	20.100	9042960201000
100	25	57	63	115	57	60	6	3.40	25.100	9042960251000
100	32	64	75	120	61	68	6	3.40	32.100	9042960321000