

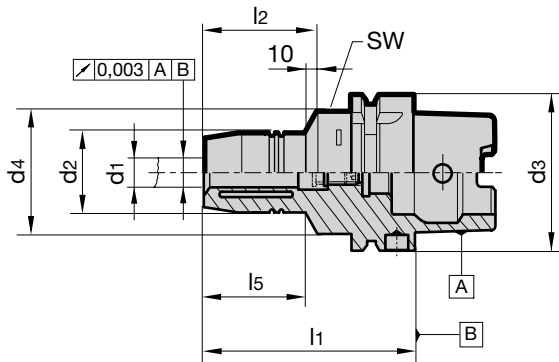
HSK-A hydraulic chucks with increased clamping force

Product information

- balancing quality: G2.5 / 25,000 rev./min or U< 1gmm
- axial length setting
- max. deviation f. concentricity 3 µm
- for tool shank tolerance h6
- to DIN 69882-7
- also available in extra-long lengths
l1 = 150 / 160 mm and 200 mm

Scope of delivery

- incl. adjustment screw Guhring no. 4900
- incl. hexagon chuck key Guhring no. 4912
- order coolant delivery set Guhring no. 4949 separately



Series Number **4299**

HSK-A d ₃	for shank Ø d _{1 h6} mm	d ₂ mm	d ₄ mm	l ₁ mm	l ₂ mm	l ₅ mm	incl. setting screw 4900	SW	kg	Order Code	EDP Numbers
32	6	26	40	80	37	29	904900060140	4	0.44	6.032	9042990060320
32	8	28	40	80	37	29	904900080140	4	0.40	8.032	9042990080320
32	10	30	40	85	41	35	904900080140	4	0.40	10.032	9042990100320
32	12	32	40	90	46	40	904900080140	4	0.40	12.032	9042990120320
40	6	26	33.5	70	37	36	904900060140	4	0.60	6.040	9042990060400
40	8	28	33.5	70	37	36	904900080140	4	0.60	8.040	9042990080400
40	10	30	33.5	75	41	42	904900080140	4	0.60	10.040	9042990100400
40	12	32	33.5	80	46	48	904900080140	4	0.60	12.040	9042990120400
50	6	26	40	70	37	28	904900060140	4	0.80	6.050	9042990060500
50	8	28	40	70	37	28	904900080140	4	0.80	8.050	9042990080500
50	10	30	40	75	41	34	9049000100140	4	0.80	10.050	9042990100500
50	12	32	40	85	46	44	9049000120140	4	0.80	12.050	9042990120500
50	14	34	40	85	46	44	9049000120140	5	0.80	14.050	9042990140500
50	16	38	40	90	49	30	9049000160140	5	0.80	16.050	9042990160500
50	18	40	40	90	49	30	9049000160140	5	1.10	18.050	9042990180500
50	20	42	40	90	51	29	9049000201140	5	1.10	20.050	9042990200500
63	6	26	50	70	37	24.5	904900060140	5	0.97	6.063	9042990060630
63	8	28	50	70	37	24.5	904900080140	5	1.00	8.063	9042990080630
63	10	30	50	80	41	35.5	9049000100140	5	1.00	10.063	9042990100630
63	12	32	50	85	46	41.5	9049000120140	5	1.10	12.063	9042990120630
63	14	34	50	85	46	41.5	9049000120140	5	1.10	14.063	9042990140630
63	16	38	50	90	49	45.5	9049000160140	5	1.20	16.063	9042990160630
63	18	40	50	90	49	48.5	9049000160140	5	1.20	18.063	9042990180630
63	20	42	50	90	51	47.5	9049000201140	5	1.20	20.063	9042990200630
63	25	57	63	120	57	55.3	9049000201140	6	2.10	25.063	9042990250630
63	32	64	75	125	61	63	9049000201140	6	2.40	32.063	9042990320630
63	6	26	50	150	37	103	904900060140	5	1.50	6.163	9042990061630
63	8	28	50	150	37	104	904900080140	5	1.50	8.163	9042990081630
63	10	30	50	150	41	104	9049000100140	5	1.50	10.163	9042990101630
63	12	32	50	150	46	105	9049000120140	5	1.50	12.163	9042990121630
63	14	34	50	150	46	105	9049000120140	5	1.70	14.163	9042990141630
63	16	38	50	150	49	106	9049000160140	5	1.80	16.163	9042990161630
63	18	40	50	150	49	107	9049000160140	5	1.90	18.163	9042990181630
63	20	42	50	150	51	108	9049000201140	5	1.90	20.163	9042990201630

HSK-A hydraulic chucks with increased clamping force

											Series Number	4299
HSK-A d ₃	for shank Ø d _{1,h6} mm	d ₂ mm	d ₄ mm	l ₁ mm	l ₂ mm	l ₅ mm	incl. setting screw 4900	SW	kg	Order Code	EDP Numbers	
63	6	26	50	200	37	153	9049000060140	5	1.70	6.263	9042990062630	
63	8	28	50	200	37	154	9049000080140	5	1.70	8.263	9042990082630	
63	10	30	50	200	41	154	9049000100140	5	1.80	10.263	9042990102630	
63	12	32	50	200	46	155	9049000120140	5	1.80	12.263	9042990122630	
63	14	34	50	200	46	155	9049000120140	5	2.00	14.263	9042990142630	
63	16	38	50	200	49	156	9049000160140	5	2.20	16.263	9042990162630	
63	18	40	50	200	49	157	9049000160140	5	2.30	18.263	9042990182630	
63	20	42	50	200	51	158	9049000201140	5	2.50	20.263	9042990202630	
80	6	26	50	70	37	24	9049000060140	5	1.50	6.080	9042990060800	
80	8	28	50	70	37	24	9049000080140	5	1.50	8.080	9042990080800	
80	10	30	50	80	41	35	9049000100140	5	1.50	10.080	9042990100800	
80	12	32	50	85	46	40	9049000120140	5	1.60	12.080	9042990120800	
80	14	34	50	85	46	40	9049000120140	5	1.60	14.080	9042990140800	
80	16	38	50	95	49	51	9049000160140	5	1.70	16.080	9042990160800	
80	18	40	50	95	49	51	9049000160140	5	1.80	18.080	9042990180800	
80	20	42	50	95	51	52	9049000201140	5	1.80	20.080	9042990200800	
80	25	57	63	110	57	65	9049000201140	6	2.60	25.080	9042990250800	
80	32	64	75	125	61	63	9049000201140	6	3.20	32.080	9042990320800	
100	6	26	50	75	37	26	9049000060140	5	2.40	6.100	9042990061000	
100	8	28	50	75	37	26	9049000080140	5	2.40	8.100	9042990081000	
100	10	30	50	90	41	42	9049000100140	5	2.50	10.100	9042990101000	
100	12	32	50	95	46	47	9049000120140	5	2.50	12.100	9042990121000	
100	14	34	50	95	46	47	9049000120140	5	2.50	14.100	9042990141000	
100	16	38	50	100	49	53	9049000160140	5	2.70	16.100	9042990161000	
100	18	40	50	100	49	53	9049000160140	5	2.70	18.100	9042990181000	
100	20	42	50	105	51	59	9049000201140	5	3.20	20.100	9042990201000	
100	25	57	63	110	57	62	9049000201140	6	3.30	25.100	9042990251000	
100	32	64	75	110	61	62	9049000201140	6	3.30	32.100	9042990321000	
100	6	27	50	160	37	104	9049000060140	5	2.80	106.100	9042991061000	
100	8	27	50	160	37	104	9049000080140	5	2.80	108.100	9042991081000	
100	10	32	50	160	41	105	9049000100140	5	2.90	110.100	9042991101000	
100	12	32	50	160	46	105	9049000120140	5	2.90	112.100	9042991121000	
100	14	34	50	160	46	107	9049000120140	5	2.90	114.100	9042991141000	
100	16	34	50	160	49	107	9049000160140	5	3.20	116.100	9042991161000	
100	18	42	50	160	49	108	9049000160140	5	3.20	118.100	9042991181000	
100	20	42	50	160	51	108	9049000201140	5	3.60	120.100	9042991201000	
100	25	53	63	160	57	110	9049000201140	6	3.70	125.100	9042991251000	
100	32	53	75	160	61	110	9049000201140	6	4.20	132.100	9042991321000	
100	6	27	50	200	37	144	9049000060140	5	3.00	206.100	9042992061000	
100	8	27	50	200	37	144	9049000080140	5	3.00	208.100	9042992081000	
100	10	32	50	200	41	145	9049000100140	5	3.10	210.100	9042992101000	
100	12	32	50	200	46	145	9049000120140	5	3.10	212.100	9042992121000	
100	14	34	50	200	46	147	9049000120140	5	3.10	214.100	9042992141000	
100	16	34	50	200	46	147	9049000160140	5	3.40	216.100	9042992161000	
100	18	42	50	200	49	148	9049000160140	5	3.40	218.100	9042992181000	
100	20	42	50	200	51	148	9049000201140	5	3.80	220.100	9042992201000	
100	25	53	63	200	57	150	9049000201140	6	3.90	225.100	9042992251000	
100	32	53	75	200	61	150	9049000201140	6	3.90	232.100	9042992321000	