

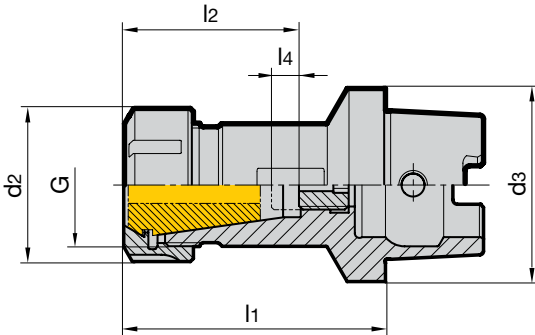
# HSK-C collet holders

## Product information

- balancing quality: G2.5 / 25,000 rev./min or U< 1gmm

## Scope of delivery

- incl. retaining nut Guhring no. 4306 and adjustment screw Guhring no. 4901
- order collet, Guhring no. 4307, clamping key, Guhring no. 4913 separately



Series Number **4303**

HSK-C d <sub>3</sub>	Nominal size	clamping range	d <sub>2</sub> mm	G	l <sub>1</sub> mm	l <sub>2</sub> mm	l <sub>4</sub> mm	incl. adjustment screw Guhr. no. 4901	kg	Order Code	EDP Numbers
25	ER16 mini	1-10	22	M19 x 1.0	50	30	4	<b>9049010160120</b>	0.10	16.025	<b>9043030160250</b>
32	ER 16	1-10	28	M22 x 1.5	55	32	4	<b>9049010160120</b>	0.19	16.032	<b>9043030160320</b>
32	ER 20	3-13	34	M25 x 1.5	60	38	5	<b>9049010160120</b>	0.23	20.032	<b>9043030200320</b>
32	ER 25	2-16	42	M32 x 1.5	70	44	6	<b>9049010250140</b>	0.36	25.032	<b>9043030250320</b>
40	ER 20	3-13	34	M25 x 1.5	60	38	5	<b>9049010160120</b>	0.28	20.040	<b>9043030200400</b>
40	ER 25	2-16	42	M32 x 1.5	70	44	6	<b>9049010250140</b>	0.41	25.040	<b>9043030250400</b>
40	ER 32	3-20	50	M40 x 1.5	75	49	6	<b>9049010250140</b>	0.59	32.040	<b>9043030320400</b>
50	ER 16	1-10	28	M22 x 1.5	60	34	6	<b>9049010160120</b>	0.45	16.050	<b>9043030160500</b>
50	ER 25	2-16	42	M32 x 1.5	70	44	6	<b>9049010250140</b>	0.54	25.050	<b>9043030250500</b>
50	ER 32	3-20	50	M40 x 1.5	75	49	6	<b>9049010250140</b>	0.68	32.050	<b>9043030320500</b>
50	ER 40	3-26	63	M50 x 1.5	80	54	6	<b>9049010250140</b>	0.98	40.050	<b>9043030400500</b>
63	ER 40	3-26	63	M50 x 1.5	80	54	6	<b>9049010250140</b>	1.17	40.063	<b>9043030400630</b>