

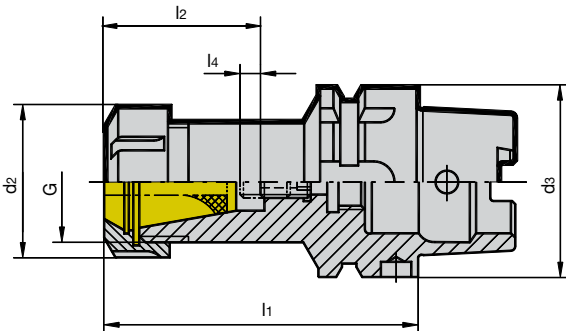
HSK-A collet holders

Product information

- balancing quality: G2.5 / 25,000 rev./min or U< 1gmm

Scope of delivery

- incl. retaining nut Guhring no. 4306 and adjustment screw Guhring no. 4902
- order collet, Guhring no. 4307, clamping key, Guhring no. 4913 and coolant delivery set, Guhring no. 4949 separately



Series Number **4304**

HSK-A d ₃	Nominal size	clamping range	d ₂ mm	G	l ₁ mm	l ₂ mm	l ₄ mm	incl. adjustment screw Guhr. no. 4902	kg	Order Code	EDP Numbers
32	ER 11	1-7	19	M14 x 0.75	55	25	6	9049020110120	0.16	11.032	9043040110320
32	ER 16	1-10	28	M22 x 1.5	80	34	6	9049020160120	0.30	16.032	9043040160320
32	ER 20	3-13	34	M25 x 1.5	70	40	6	9049020160120	0.27	20.032	9043040200320
40	ER 16	1-10	28	M22 x 1.5	80	34	6	9049020160120	0.40	16.040	9043040160400
40	ER 25	2-16	42	M32 x 1.5	80	44	6	9049020250140	0.51	25.040	9043040250400
40	ER 32	3-20	50	M40 x 1.5	100	50	10	9049020320200	0.72	32.040	9043040320400
50	ER 16	1-10	28	M22 x 1.5	100	34	6	9049020160120	0.74	16.050	9043040160500
50	ER 25	2-16	42	M32 x 1.5	80	44	6	9049020250140	0.66	25.050	9043040250500
50	ER 25	2-16	42	M32 x 1.5	100	44	6	9049020250140	0.83	25.150	9043040251500
50	ER 32	3-20	50	M40 x 1.5	100	50	10	9049020320200	0.93	32.050	9043040320500
63	ER 16	1-10	28	M22 x 1.5	100	34	6	9049020160120	0.95	16.063	9043040160630
63	ER 16	1-10	28	M22 x 1.5	160	34	6	9049020160120	1.40	16.163	9043040161630
63	ER 25	2-16	42	M32 x 1.5	80	42	6	9049020250140	0.94	25.063	9043040250630
63	ER 25	2-16	42	M32 x 1.5	100	42	6	9049020250140	1.08	25.163	9043040251630
63	ER 32	3-20	50	M40 x 1.5	100	50	10	9049020320200	1.20	32.063	9043040320630
63	ER 40	3-26	63	M50 x 1.5	120	56	10	9049020320200	1.80	40.063	9043040400630
80	ER 32	3-20	50	M40 x 1.5	100	50	10	9049020320200	2.75	32.080	9043040320800
80	ER 32	3-20	50	M40 x 1.5	160	50	10	9049020320200	3.45	32.180	9043040321800
80	ER 40	3-26	63	M50 x 1.5	120	56	10	9049020320200	2.93	40.080	9043040400800
100	ER 32	3-20	50	M40 x 1.5	100	50	10	9049020320200	2.70	32.100	9043040321000
100	ER 32	3-20	50	M40 x 1.5	160	50	10	9049020320200	4.30	32.101	9043040321010
100	ER 40	3-26	63	M50 x 1.5	120	56	10	9049020320200	3.20	40.100	9043040401000