

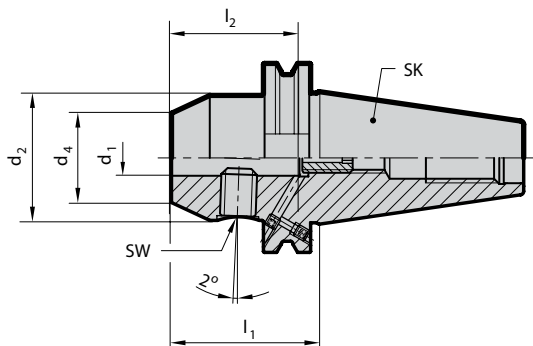
Whistle Notch ISO taper side lock holders

Product information

- balancing quality: G6.3 / 15,000 rev./min
- for tool shank tolerance h6
- with bore to DIN 1835-2 form E "Whistle Notch"
- ISO taper to DIN 69871 form AD/B
- from bore $d_1 = 25$ mm with two clamping screws Guhring no. 4903

Scope of delivery

- incl. clamping screw Guhring no. 4903 and adjustment screw
- order pull studs, Guhring no. 4925 or 4926 separately



Series Number

4322

ISO taper	clamping-Ø d_1 mm	d_2 mm	d_4 mm	l_1 mm	l_2 mm	SW	kg	Order Code	EDP Numbers
40	6	25	15	50	36	3	0.90	6.040	9043220060400
40	8	28	20	50	36	4	0.90	8.040	9043220080400
40	10	35	25	50	40	5	1.00	10.040	9043220100400
40	12	42	30	50	45	6	1.20	12.040	9043220120400
40	14	44	32	50	45	6	1.20	14.040	9043220140400
40	16	48	36	63	48	6	1.20	16.040	9043220160400
40	18	50	38	63	48	6	1.40	18.040	9043220180400
40	20	52	40	63	50	8	1.50	20.040	9043220200400
40	25	65	45	100	56	10	2.30	25.040	9043220250400
40	32	72	56	100	60	10	2.50	32.040	9043220320400
50	6	25	15	63	36	3	2.70	6.050	9043220060500
50	8	28	20	63	36	4	2.70	8.050	9043220080500
50	10	35	25	63	40	5	2.90	10.050	9043220100500
50	12	42	30	63	45	6	3.00	12.050	9043220120500
50	14	44	32	63	45	6	3.00	14.050	9043220140500
50	16	48	36	63	48	6	3.00	16.050	9043220160500
50	18	50	38	63	48	6	3.00	18.050	9043220180500
50	20	52	40	63	50	8	3.10	20.050	9043220200500
50	25	65	45	80	56	10	3.70	25.050	9043220250500
50	32	72	56	100	60	10	4.50	32.050	9043220320500