

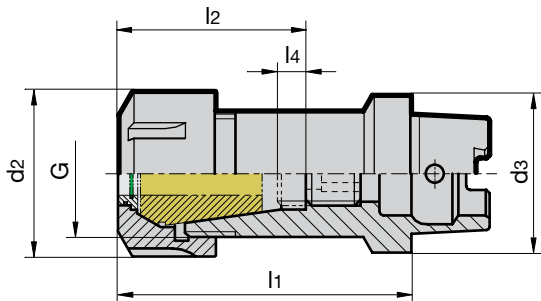
HSK-C collet holders, sealed version

Product information

- sealed, suitable for coolant pressure up to 100 bar
- balancing quality: G2.5 / 25,000 rev./min or U < 1gmm

Scope of delivery

- incl. retaining nut Guhring no. 4306 and adjustment screw Guhring no. 4901
- order sealing washer Guhring no. 4335, collet, Guhring no. 4307, clamping key, Guhring no. 4913 separately



Series Number

4323

HSK-C d_3	Nominal size	clamping range	d_2 mm	G	l_1 mm	l_2 mm	l_4 mm	incl. adjustment screw Guhr. no. 4901	kg	Order Code	EDP Numbers
25	ER16 mini	1-10	22	M19 x 1.0	55	37	4	9049010160120	0.10	16.025	9043230160250
32	ER 16	1-10	28	M22 x 1.5	60	37	4	9049010160120	0.20	16.032	9043230160320
32	ER 20	3-13	34	M25 x 1.5	65	43	5	9049010160120	0.26	20.032	9043230200320
32	ER 25	2-16	42	M32 x 1.5	75	49	6	9049010250140	0.42	25.032	9043230250320
40	ER 20	3-13	34	M25 x 1.5	65	43	5	9049010160120	0.30	20.040	9043230200400
40	ER 25	2-16	42	M32 x 1.5	75	49	6	9049010250140	0.47	25.040	9043230250400
40	ER 32	3-20	50	M40 x 1.5	80	54	6	9049010250140	0.64	32.040	9043230320400
50	ER 16	1-10	28	M22 x 1.5	65	39	6	9049010160120	0.46	16.050	9043230160500
50	ER 25	2-16	42	M32 x 1.5	75	49	6	9049010250140	0.59	25.050	9043230250500
50	ER 32	3-20	50	M40 x 1.5	80	54	6	9049010250140	0.74	32.050	9043230320500
50	ER 40	3-26	63	M50 x 1.5	85	61	6	9049010250140	1.12	40.050	9043230400500
63	ER 40	3-26	63	M50 x 1.5	85	61	6	9049010250140	1.30	40.063	9043230400630