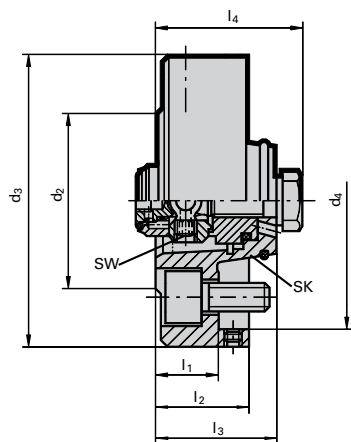


ISO taper/HSK-C basic adaptor for spindles to DIN 2079

Product information

- for the conversion of SK to HSK interfaces



Scope of delivery

- incl. clamping set Guhring no. 4958 for conventional cooling
- incl. retention screws



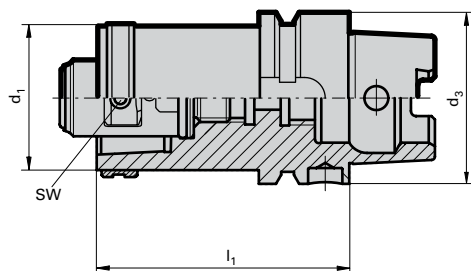
Series Number **4387**

for ISO taper	for HSK-C	d_2 mm	d_3 mm	d_4 mm	l_1 mm	l_2 mm	l_3 mm	l_4 mm	SW	kg	Order Code	EDP Numbers
30	40	50	85	69.83	25	35	37	39	3	1.08	30.030	9043870300300
40	50	63	100	88.88	20	30	39.5	46.5	4	1.4	40.038	9043870400380
50	63	80	150	128.57	25	40	48.5	58.5	5	1.96	50.048	9043870500480
50	80	100	150	128.57	40	55	61.1	71.1	6	2.2	50.060	9043870500600

HSK-A/HSK-C reductions

Scope of delivery

- incl. clamping set Guhring no. 4958 for conventional cooling
- incl. retention screws



Series Number **4355**

HSK-A d_3	HSK-C d_1	l_1 mm	SW	kg	Order Code	EDP Numbers
40	32	60	2.5	0.42	32.040	9043550320400
50	32	60	2.5	0.54	32.050	9043550320500
50	40	70	3.0	0.69	40.050	9043550400500
63	32	60	2.5	1.08	32.063	9043550320630
63	40	70	3.0	1.15	40.063	9043550400630
63	50	80	4.0	1.23	50.063	9043550500630
80	50	90	4.0	2	50.080	9043550500800
80	63	100	5.0	2.69	63.080	9043550630800
100	50	90	4.0	2.8	50.100	9043550501000
100	63	100	5.0	3.31	63.100	9043550631000
100	80	120	6.0	5.2	80.100	9043550801000