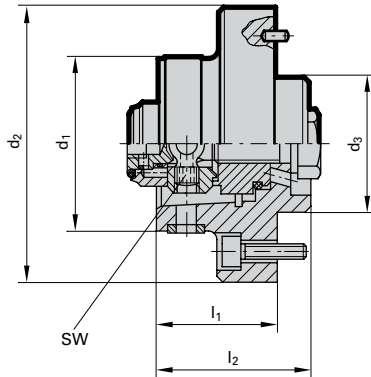


HSK spindle adaptors (in front)

Product information

- for the transferable torsional moment the interface between spindle and flange has to be taken into consideration.



Scope of delivery

- incl. clamping set Guhring no. 4958 for conventional cooling
- incl. brass lock ring Guhring no. 4953
- incl. indexing pin and retention screws
- for MQL application, order as special adaptor with MQL clamping set Guhring no. 4930 and MQL retention nut, Guhring no. 4935



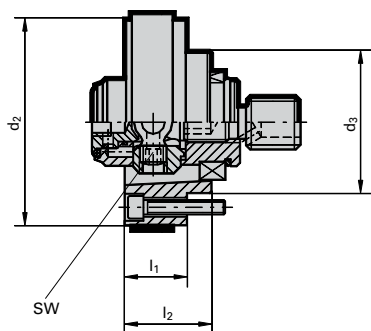
Series Number **4386**

HSK-C d_1	d_2 mm	d_3 mm	l_1 mm	l_2 mm	SW	kg	Order Code	EDP Numbers
25	45	23	20	28	2.5	0.22	19.000	9043860190000
32	60	30	26	36	2.5	0.38	24.000	9043860240000
40	70	35	30	40	3	0.6	30.000	9043860300000
50	80	40	35	45	4	0.92	38.000	9043860380000
63	100	50	43	55	5	1.75	48.000	9043860480000
80	117	60	50	62	6	2.79	60.000	9043860600000

Short HSK spindle adaptors (integrated)

Product information

- for the transferable torsional moment the interface between spindle and flange has to be taken into consideration.



Scope of delivery

- incl. clamping set Guhring no. 4958 for conventional cooling
- incl. brass lock ring Guhring no. 4953
- incl. indexing pin and retention screws
- for MQL application, order as special adaptor with MQL clamping set Guhring no. 4930



Series Number **4385**

for HSK-C	d_2 mm	d_3 mm	l_1 mm	l_2 mm	SW	kg	Order Code	EDP Numbers
32	40	27	12.5	16	2.5	0.14	24.000	9043850240000
40	50	33.5	15	20	3	0.26	30.000	9043850300000
50	63	42	17.5	25	4	0.48	38.000	9043850380000
63	80	55	22.5	32	5	0.99	48.000	9043850480000
80	100	68	27.5	40	6	1.88	60.000	9043850600000